



US00D532834S

(12) **United States Design Patent**
Chuang

(10) **Patent No.:** **US D532,834 S**

(45) **Date of Patent:** **** Nov. 28, 2006**

(54) **CYLINDRICAL JIGSAW PUZZLE**

(76) **Inventor:** **Shih-Hung Chuang**, 14F-2, No. 343,
Chungho Rd., Yungho City, Taipei
Hsien (TW)

(**) **Term:** **14 Years**

(21) **Appl. No.:** **29/224,061**

(22) **Filed:** **Feb. 24, 2005**

(51) **LOC (8) Cl.** **21-01**

(52) **U.S. Cl.** **D21/478**

(58) **Field of Classification Search** D21/392,
D21/393, 478-480; D3/201, 206, 211, 208,
D3/270, 271.1, 274; D9/600, 715, 719, 721;
D19/36, 75, 77, 82, 100; D99/34-43; 446/8-13,
446/71, 75, 76, 147, 151; 273/153 R, 156,
273/157 R, 153 S; 232/1 R, 1 D, 4 R, 43.1;
206/0.82, 0.81, 0.815, 1.5, 216, 579, 315.2,
206/457, 822; 70/286-290, 312

See application file for complete search history.

(56) **References Cited**

U.S. PATENT DOCUMENTS

- 423,276 A * 3/1890 Rech, Jr. 232/4 R
- 435,804 A * 9/1890 Deeves et al. 273/156
- 474,941 A * 5/1892 Barthlomew 206/1.5
- 761,254 A * 5/1904 Rosedale 206/1.5
- 5,074,561 A * 12/1991 Johnson 273/153 S
- 5,116,053 A * 5/1992 Blankenburg et al. ... 273/153 S
- D350,994 S * 9/1994 Conotter D21/478
- 5,429,364 A * 7/1995 Chang 273/153 S
- 5,845,904 A * 12/1998 Hawkins 273/153 S

- 6,109,996 A * 8/2000 Ma et al. 446/8
- 2003/0227131 A1 * 12/2003 Han 273/153 S
- 2004/0124099 A1 * 7/2004 Fields et al. 206/0.815

FOREIGN PATENT DOCUMENTS

- DE 3309674 A1 * 9/1984
- GB 2182855 A * 5/1987
- GB 2223180 A * 4/1990

* cited by examiner

Primary Examiner—Catherine Tuttle

(74) *Attorney, Agent, or Firm*—Alan D. Kamrath; Nikolai & Mersereau, P.A.

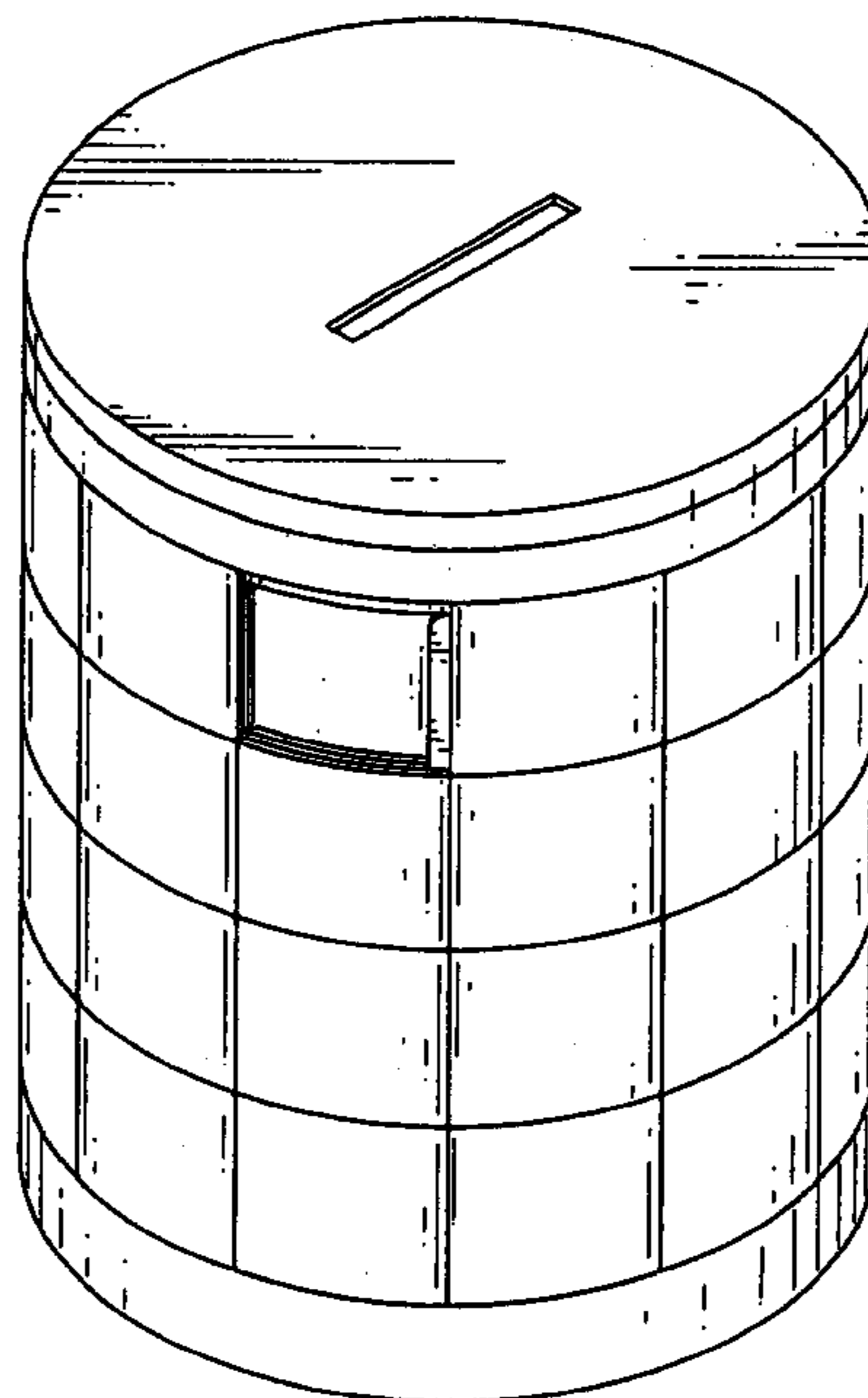
(57) **CLAIM**

The ornamental design for a cylindrical jigsaw puzzle, as shown and described.

DESCRIPTION

FIG. 1 is a perspective view of a cylindrical jigsaw puzzle, showing my new design;
 FIG. 2 is a front elevational view thereof;
 FIG. 3 is a rear elevational view thereof;
 FIG. 4 is a left elevational view thereof;
 FIG. 5 is a right elevational view thereof;
 FIG. 6 is a top plan view thereof;
 FIG. 7 is a bottom plan view thereof, the element shown in broken lines is for illustrative purposes only and forms no part of the claimed design; and,
 FIG. 8 is a fragmentary view showing the recessed area of FIG. 1 on an enlarged scale for clarity.

1 Claim, 5 Drawing Sheets



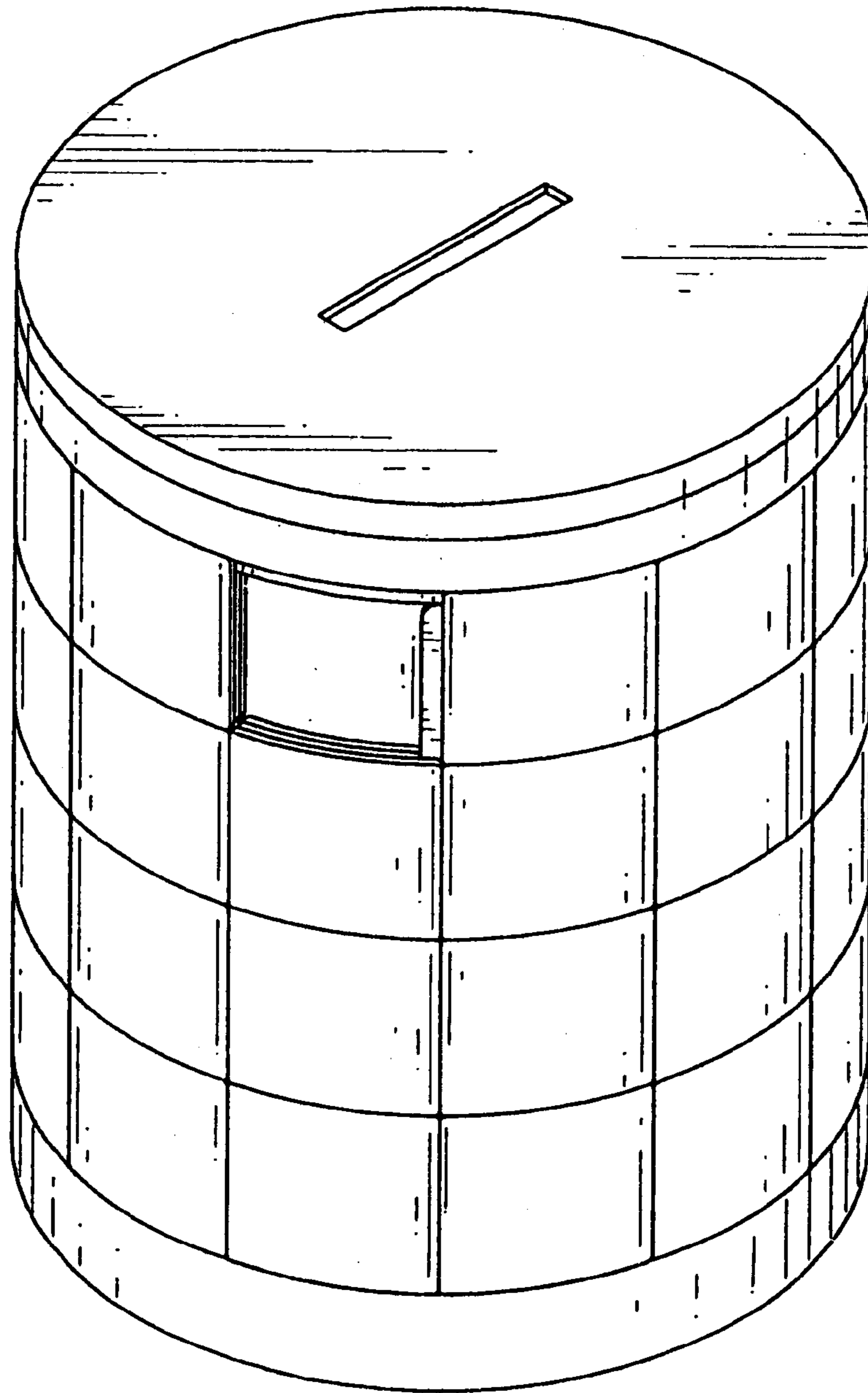


FIG.1

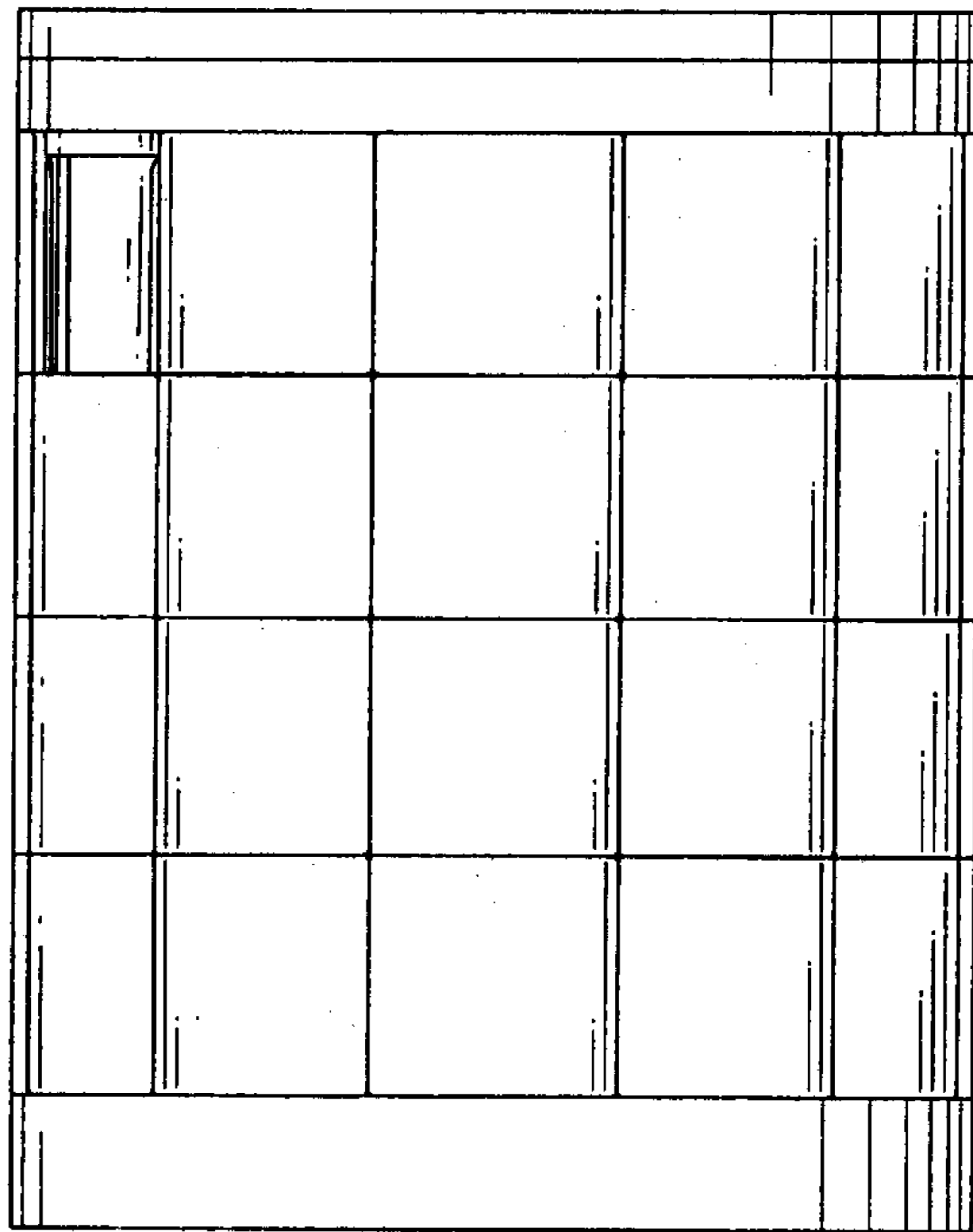


FIG. 2

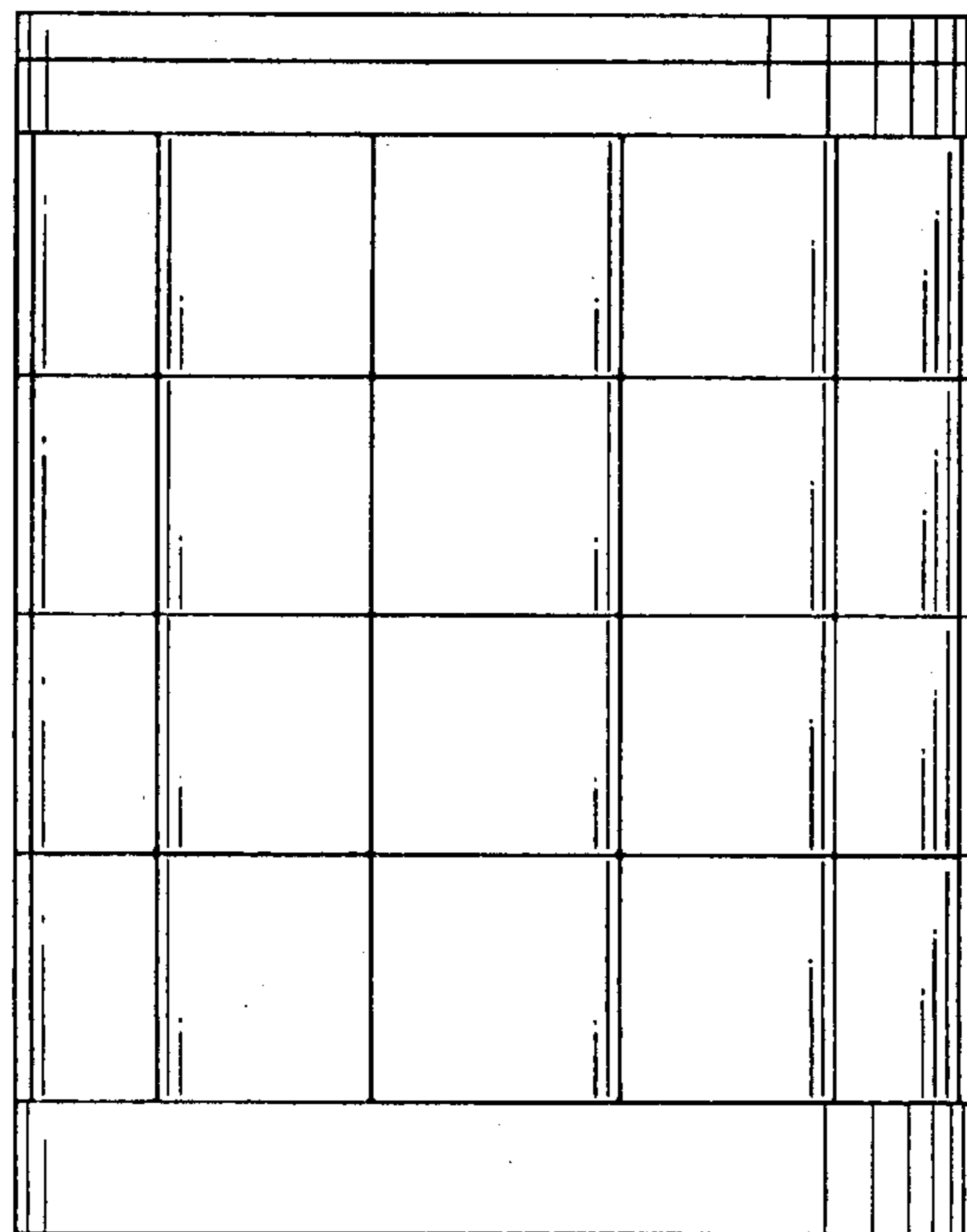


FIG. 3

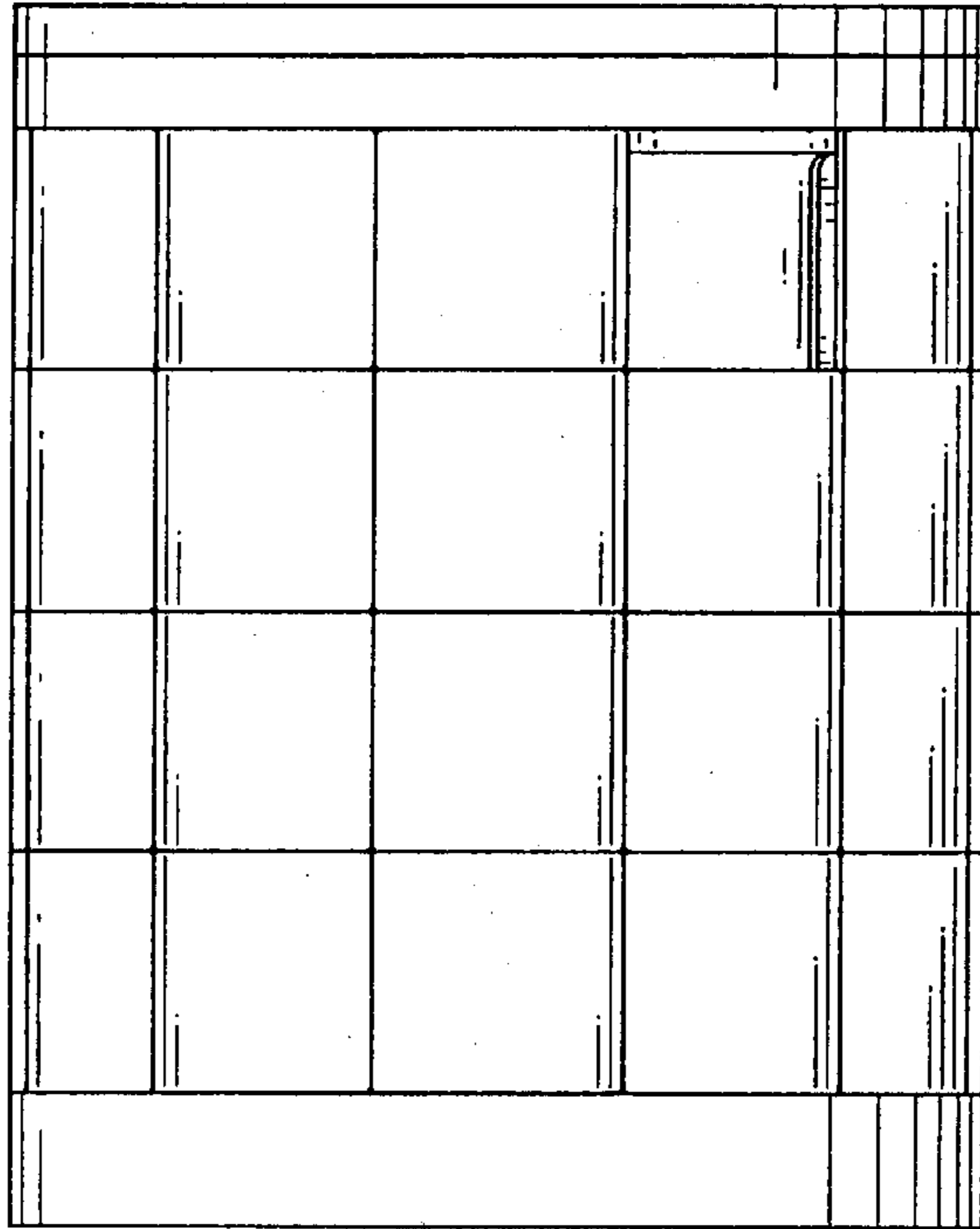


FIG.4

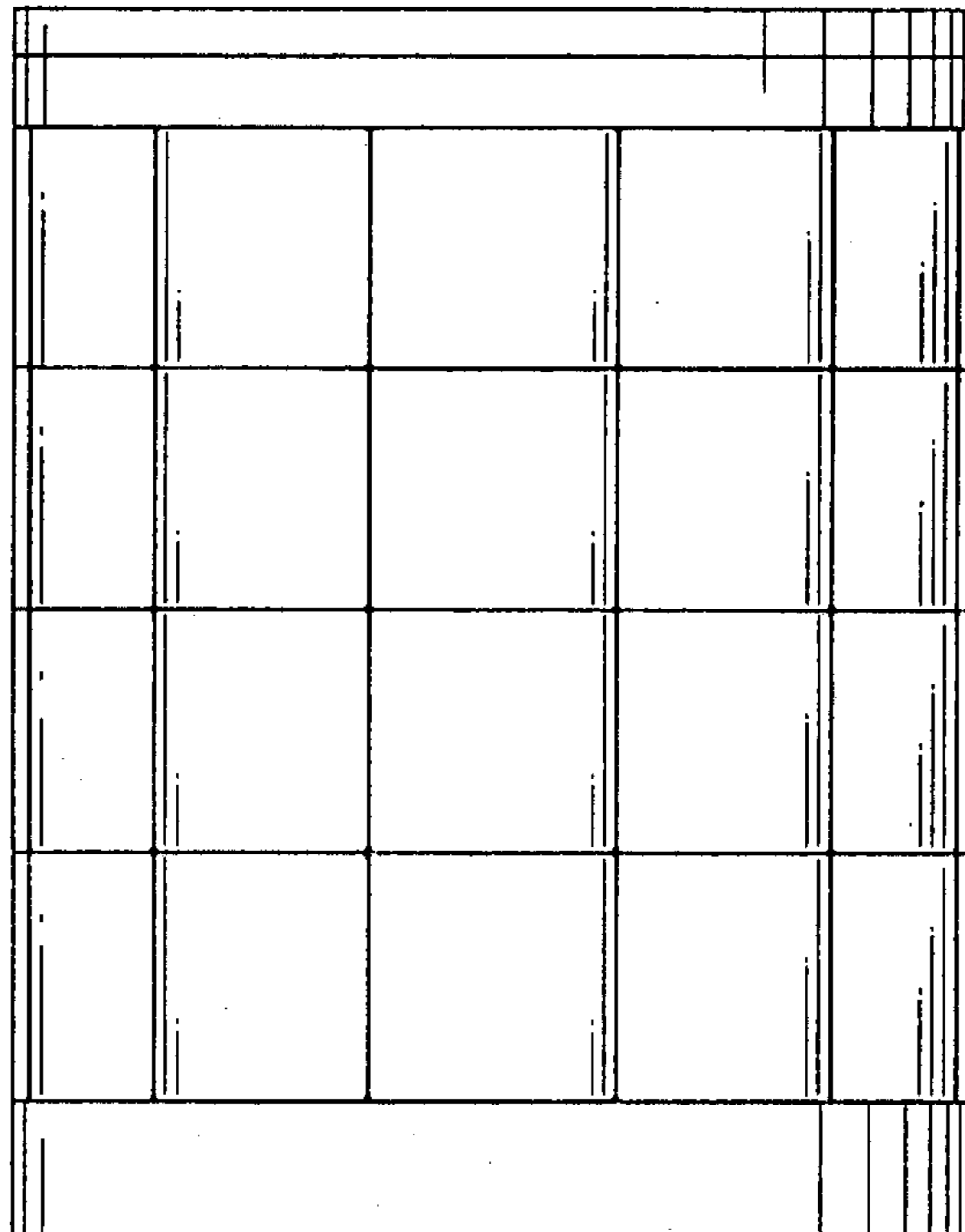


FIG.5

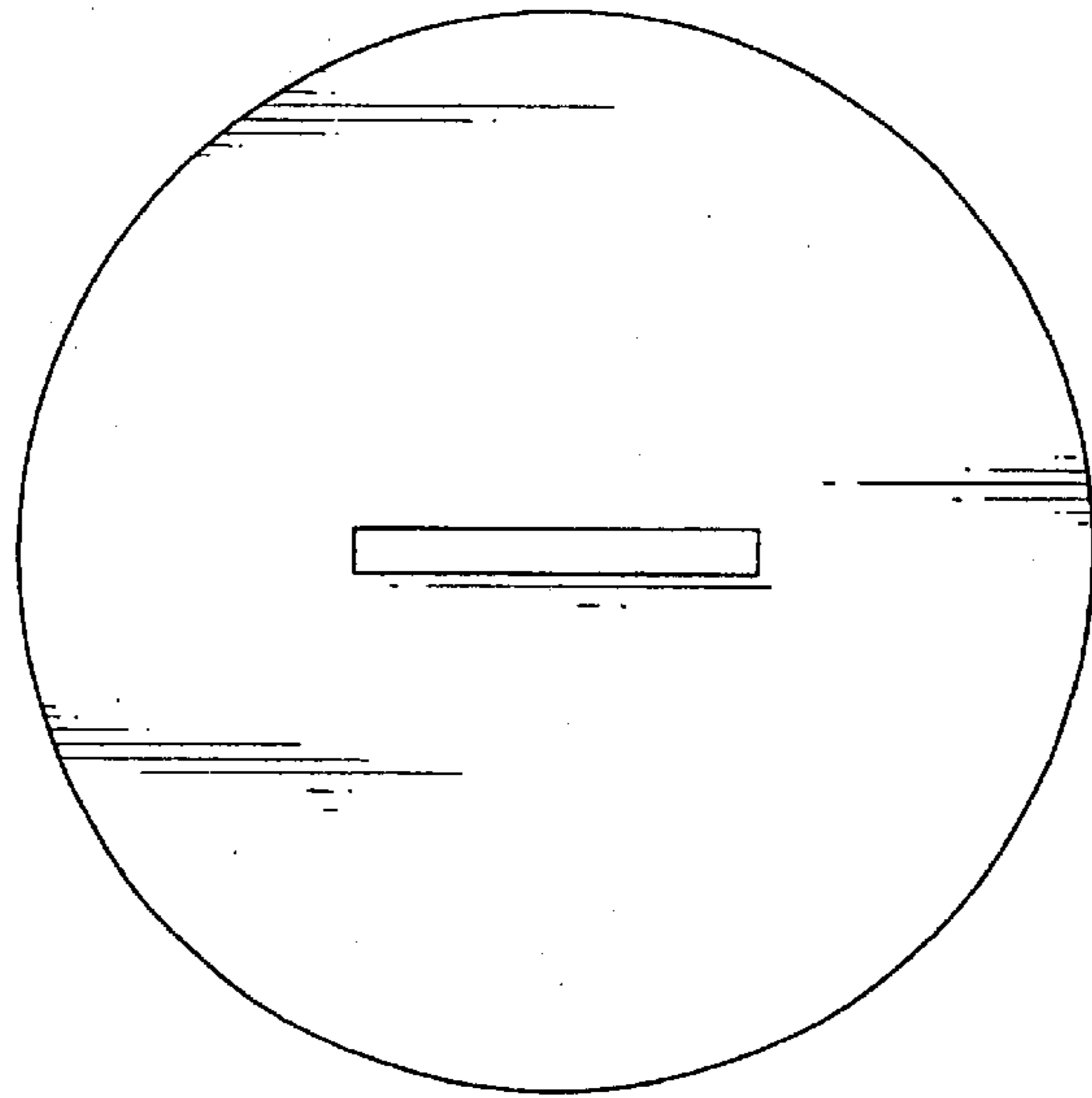


FIG.6

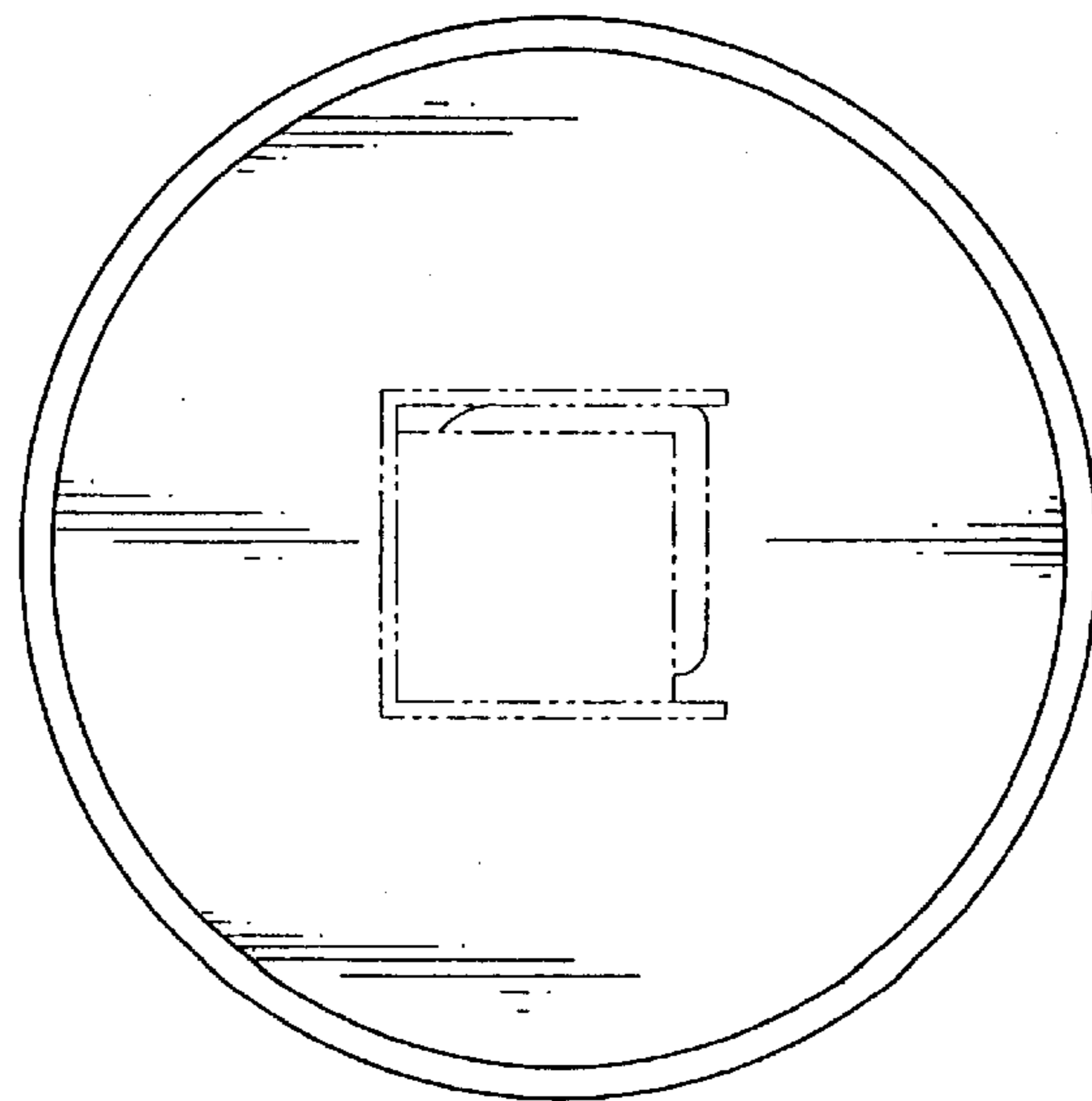


FIG.7

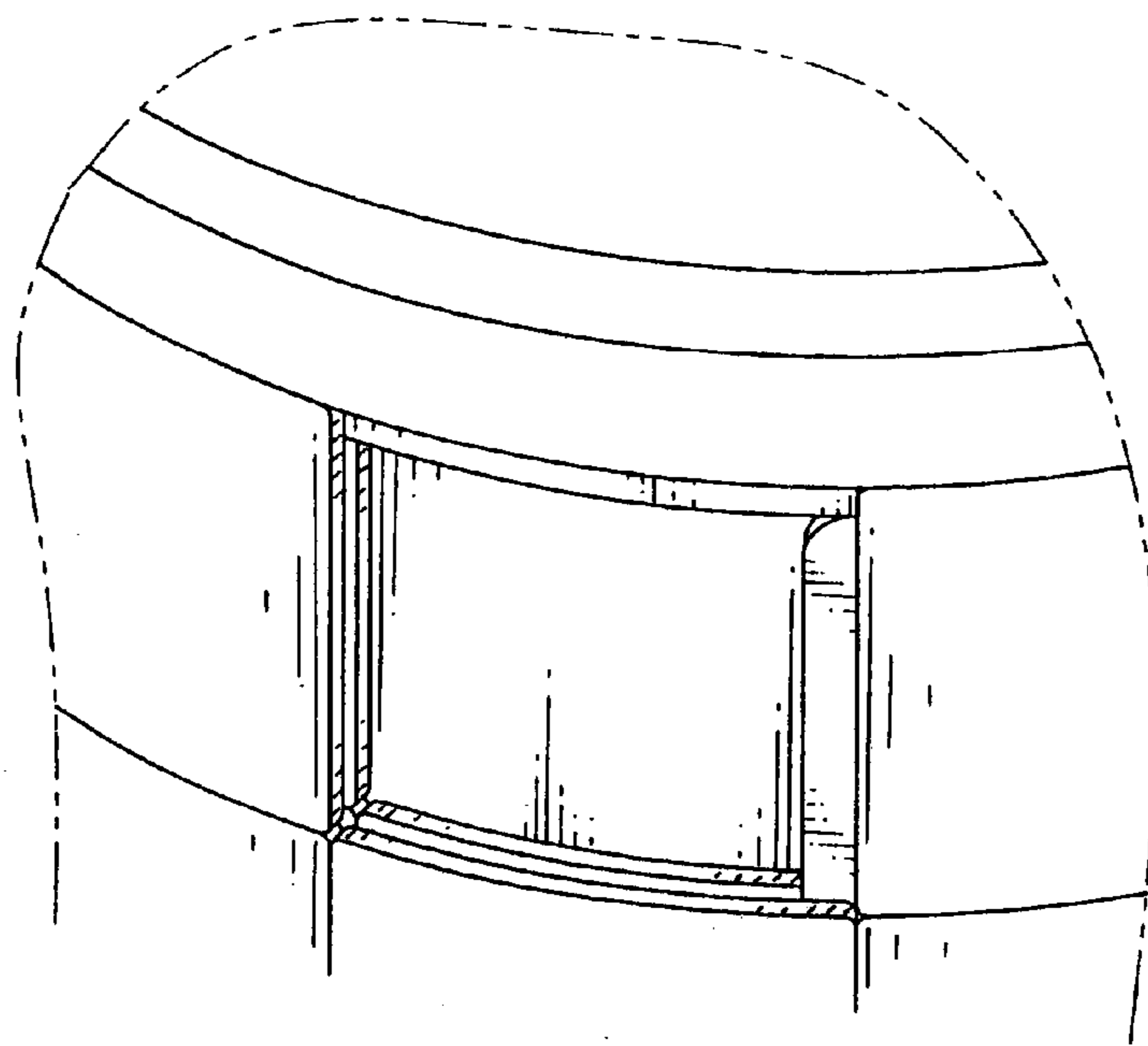


FIG. 8