



US00D532833S

(12) **United States Design Patent**  
**Cline**

(10) **Patent No.:** **US D532,833 S**

(45) **Date of Patent:** **\*\* Nov. 28, 2006**

(54) **MOTORCYCLE-THEMED ROCKING  
DEVICE**

(76) **Inventor:** **Michael Lawrence Cline**, 12160  
Boxwood Cir., Alpharetta, GA (US)  
30005

(\*\*) **Term:** **14 Years**

(21) **Appl. No.:** **29/242,890**

(22) **Filed:** **Nov. 16, 2005**

(51) **LOC (8) Cl.** ..... **21-01**

(52) **U.S. Cl.** ..... **D21/414**

(58) **Field of Classification Search** ..... D21/412,  
D21/414, 419, 424, 427, 432, 823, 825, 828-833;  
D6/335, 358, 344-348; 472/95-115, 125,  
472/135; 297/181, 245, 247, 271.1, 271.6;  
446/29, 396

See application file for complete search history.

(56) **References Cited**

**U.S. PATENT DOCUMENTS**

|           |   |   |         |             |       |         |
|-----------|---|---|---------|-------------|-------|---------|
| 270,023   | A | * | 1/1883  | Crandall    | ..... | 472/102 |
| 2,184,097 | A | * | 12/1939 | Grampp      | ..... | 280/222 |
| D144,200  | S | * | 3/1946  | King        | ..... | D21/412 |
| D184,535  | S | * | 3/1959  | Polhemus    | ..... | D21/412 |
| D194,111  | S | * | 11/1962 | Tosti       | ..... | D21/412 |
| 3,185,524 | A | * | 5/1965  | Ryan        | ..... | 297/247 |
| 3,620,529 | A | * | 11/1971 | Newman      | ..... | 472/114 |
| D243,469  | S | * | 2/1977  | Nipper, Jr. | ..... | D21/412 |

|           |   |   |         |              |       |           |
|-----------|---|---|---------|--------------|-------|-----------|
| 4,135,712 | A | * | 1/1979  | Fitzsimons   | ..... | 472/113   |
| D254,561  | S | * | 3/1980  | Alley et al. | ..... | D21/414   |
| 4,494,763 | A | * | 1/1985  | Whitehead    | ..... | 280/1.175 |
| 5,403,239 | A | * | 4/1995  | Zimmers      | ..... | 472/106   |
| D363,745  | S | * | 10/1995 | McNett       | ..... | D21/414   |

\* cited by examiner

*Primary Examiner*—Catherine Tuttle

(74) *Attorney, Agent, or Firm*—Hope Baldauff Hartman,  
LLC

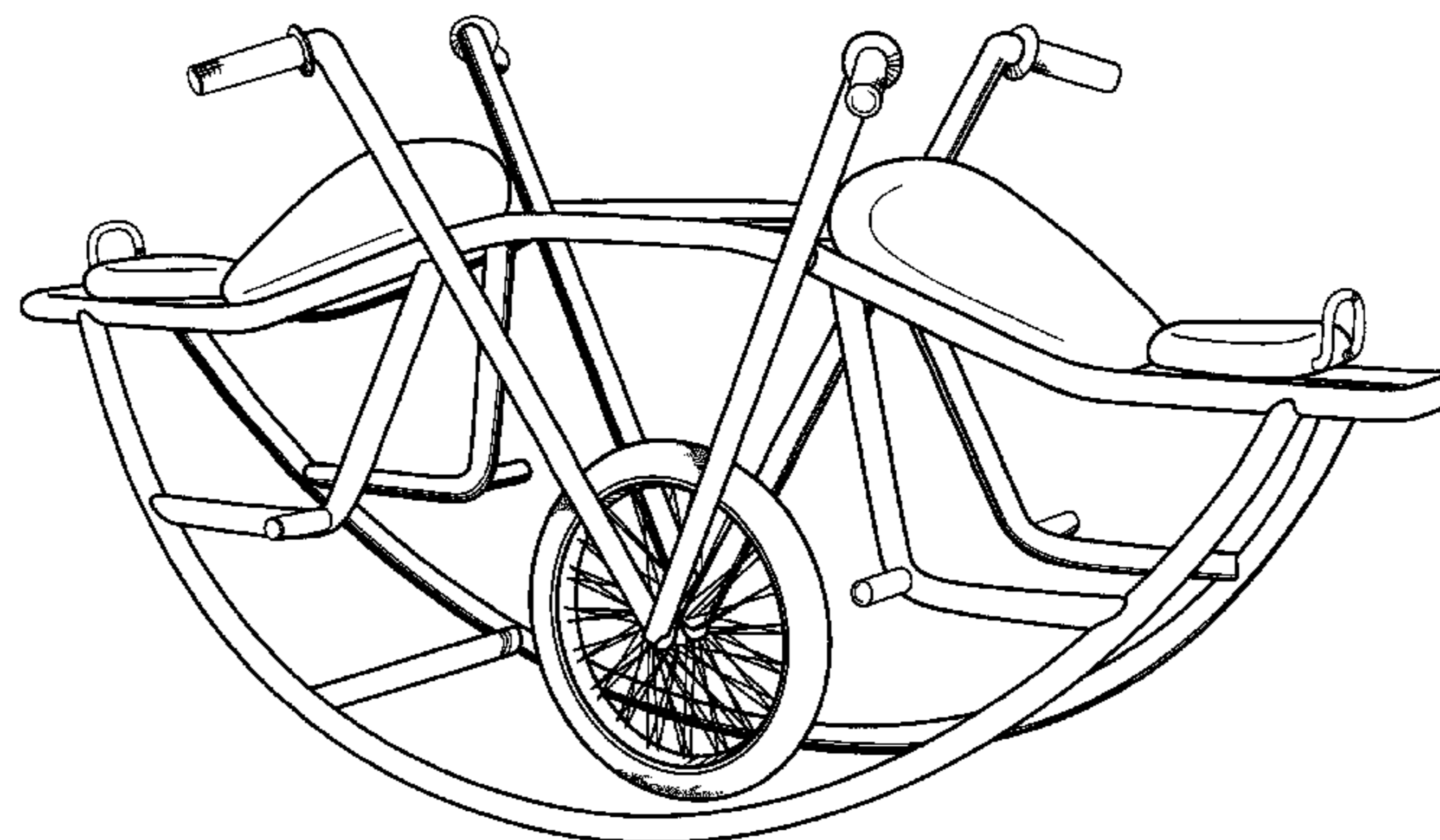
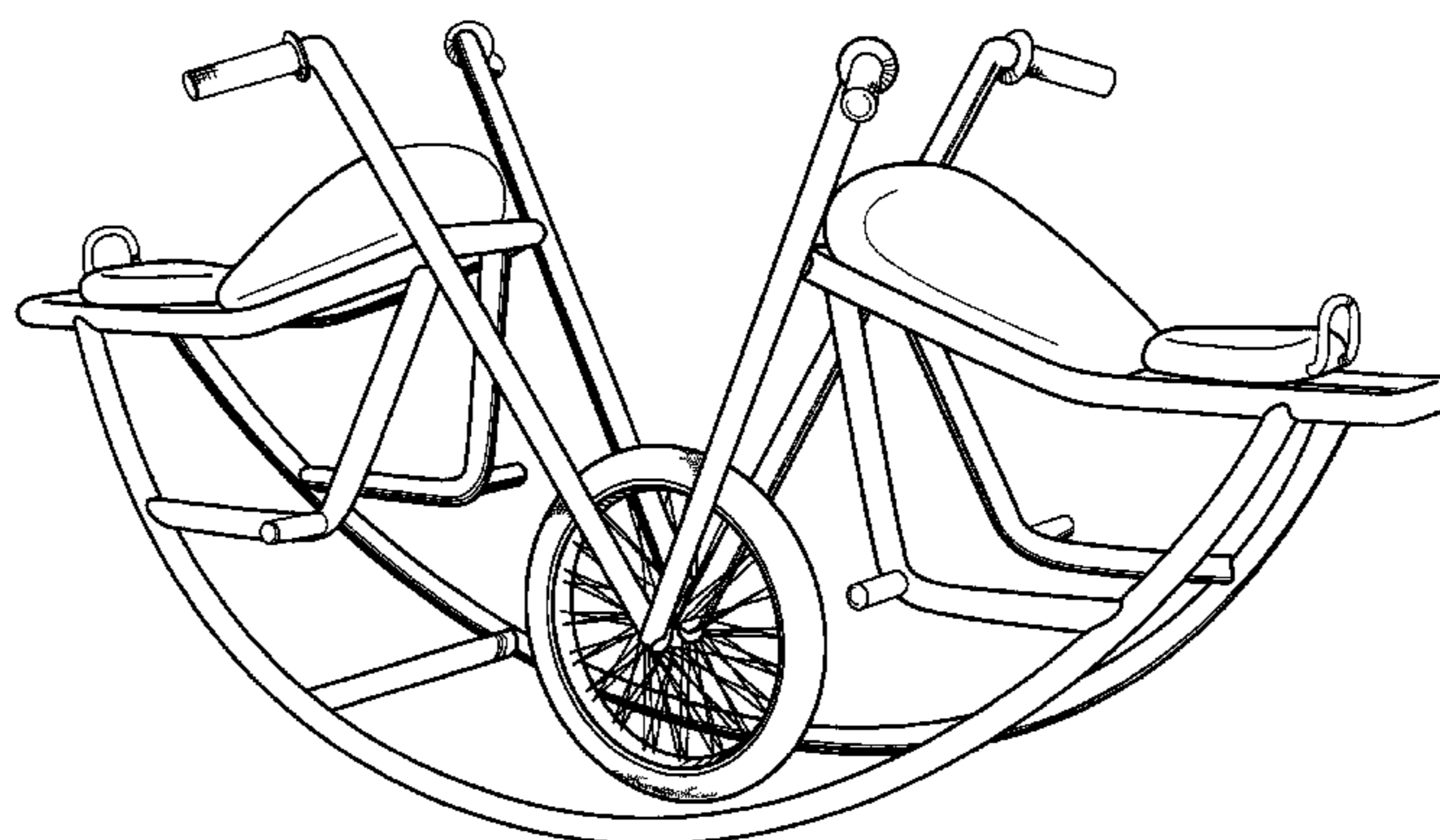
(57) **CLAIM**

The ornamental design for a motorcycle-themed rocking device, as shown and described.

**DESCRIPTION**

FIG. 1 is a front perspective view of a rocking device showing a new ornamental design for a rocking device; FIG. 2 is a front view thereof, the back view being a mirror image; FIG. 3 is a left side view thereof, the right side view being a mirror image; FIG. 4 is a top view thereof; FIG. 5 is a front perspective view of a second embodiment of my design; FIG. 6 is a front view of FIG. 5; FIG. 7 is a left side view of FIG. 5, the right side view being a mirror image; and, FIG. 8 is a top view of FIG. 5.

**1 Claim, 4 Drawing Sheets**



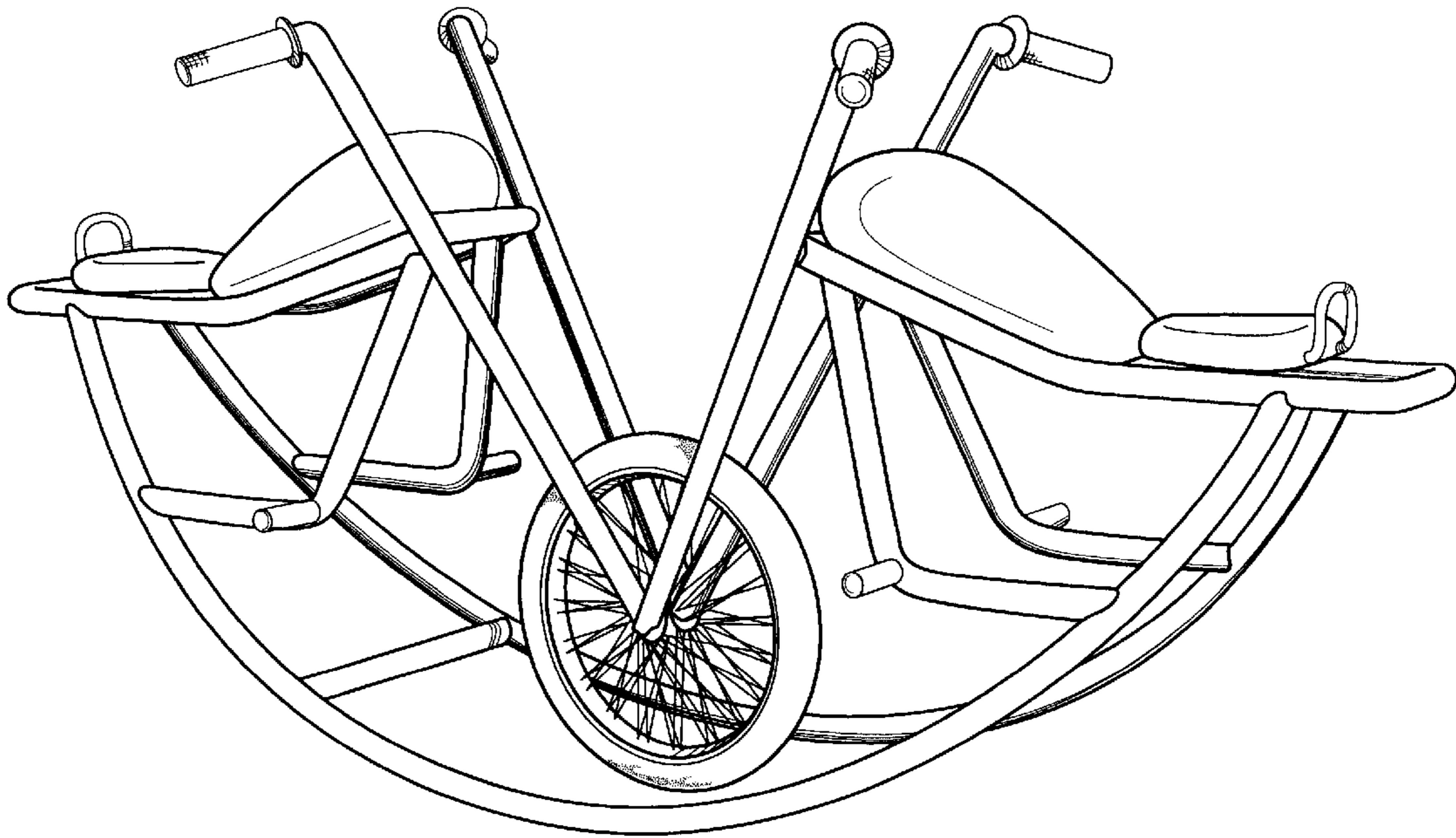


FIGURE 1

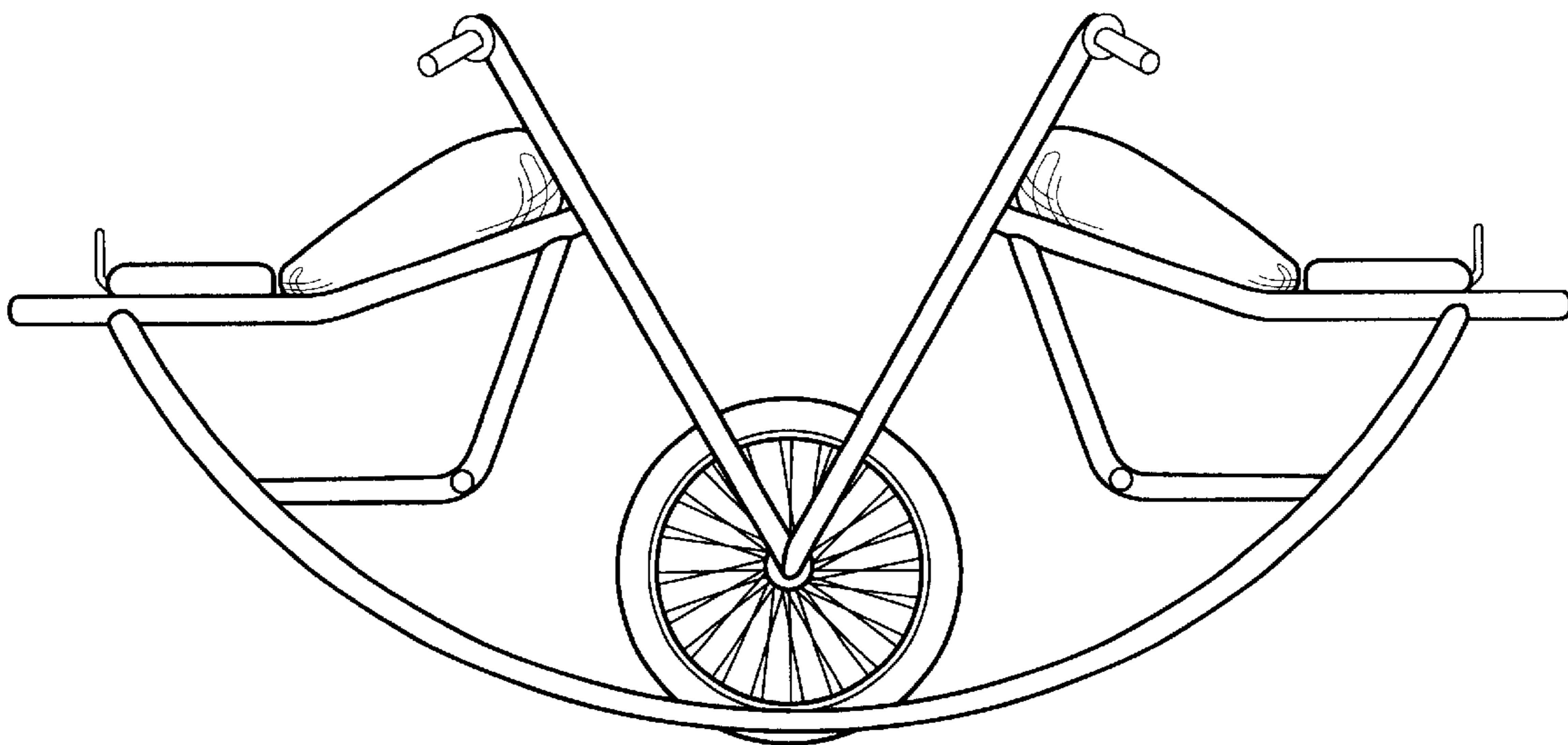


FIGURE 2

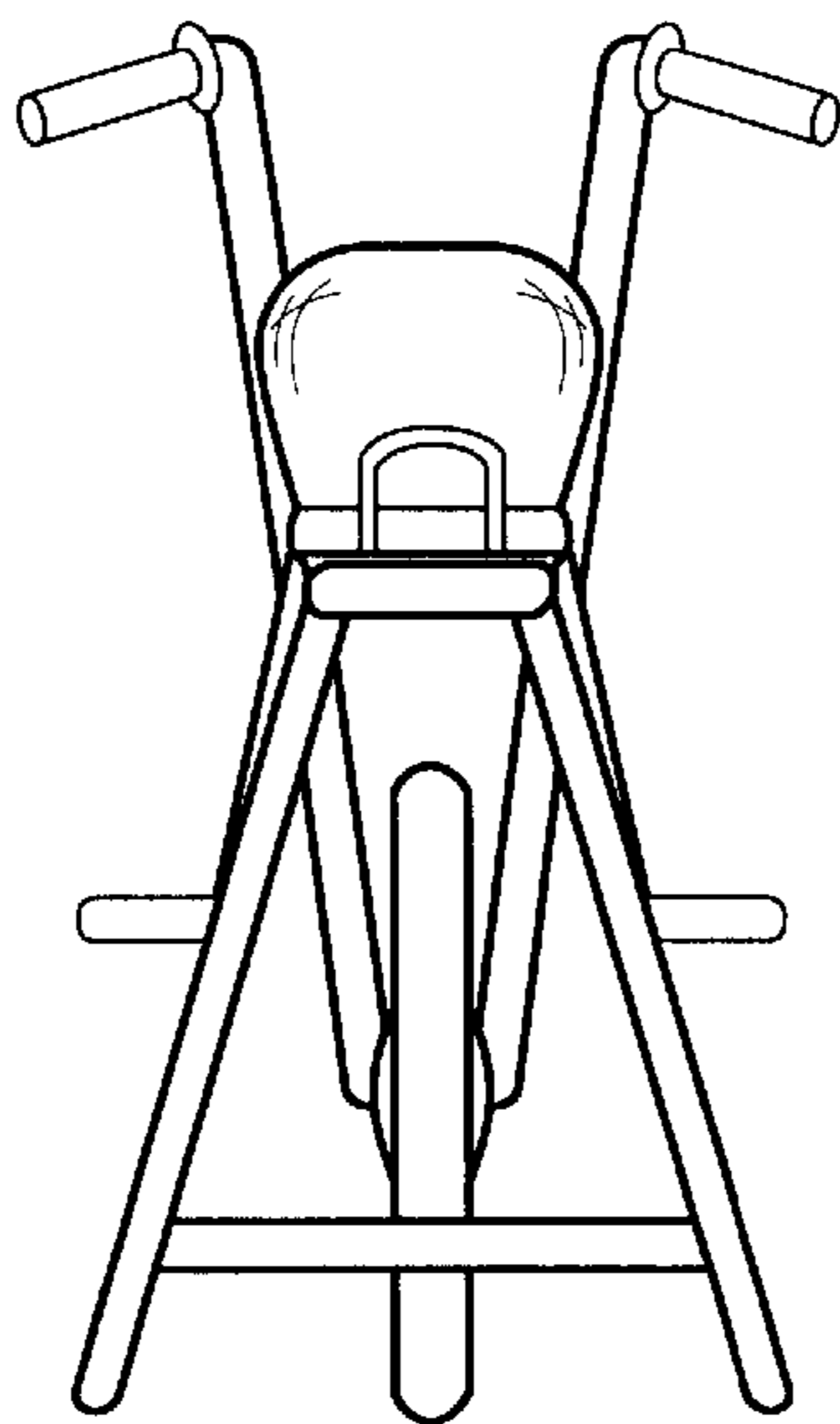


FIGURE 3

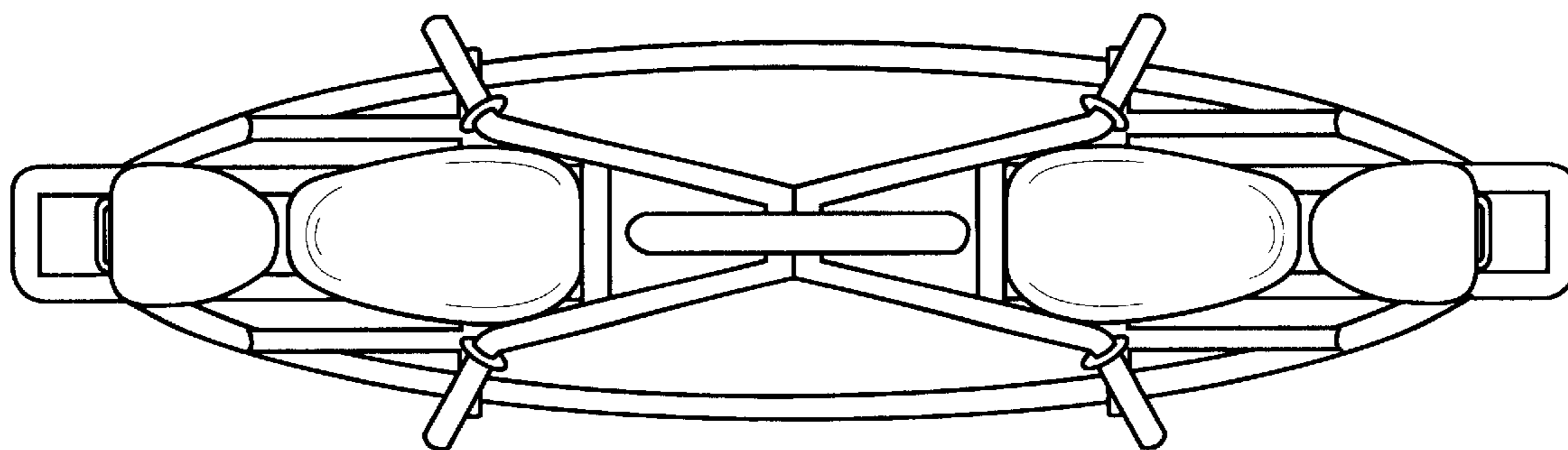


FIGURE 4

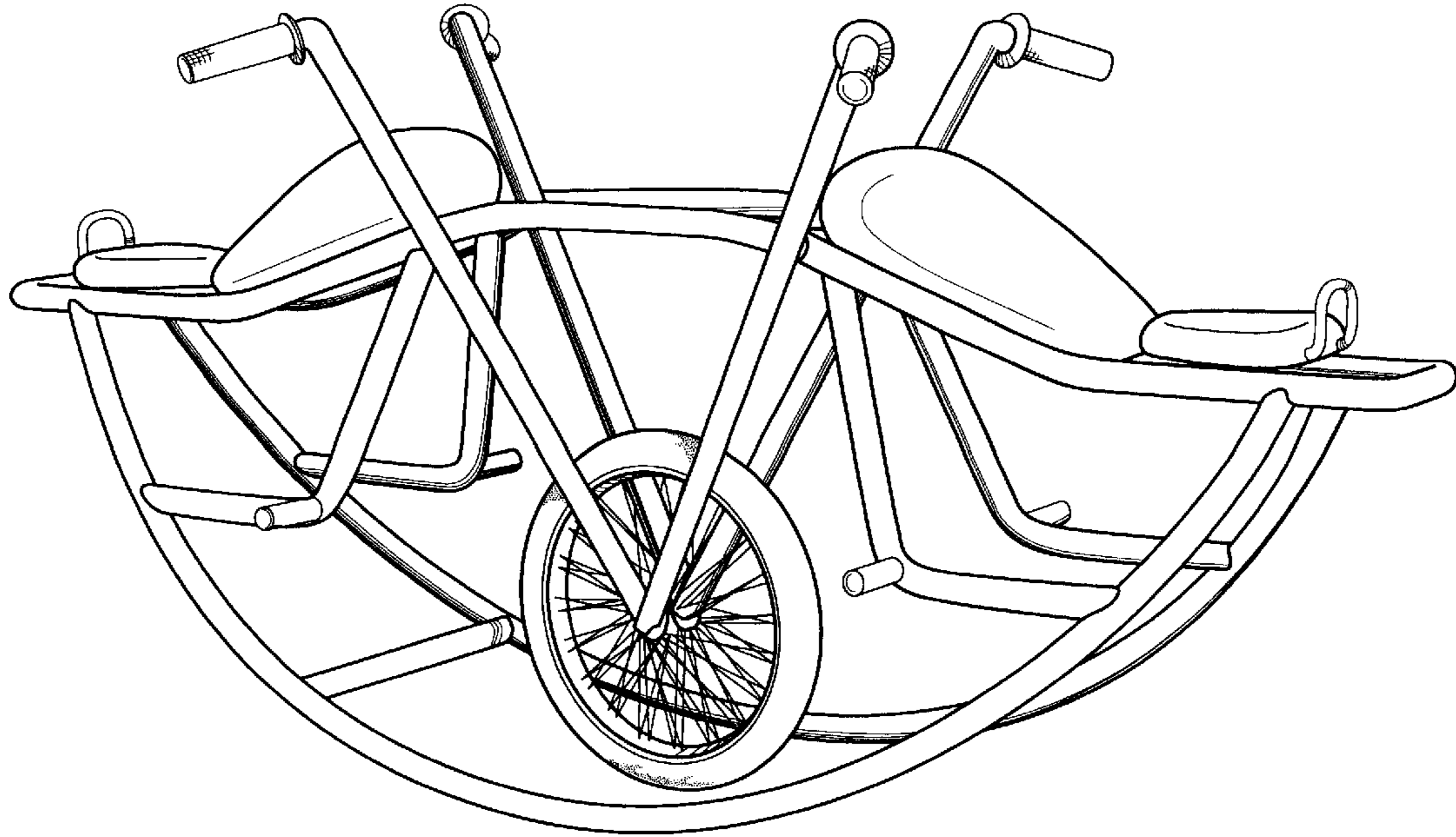


FIGURE 5

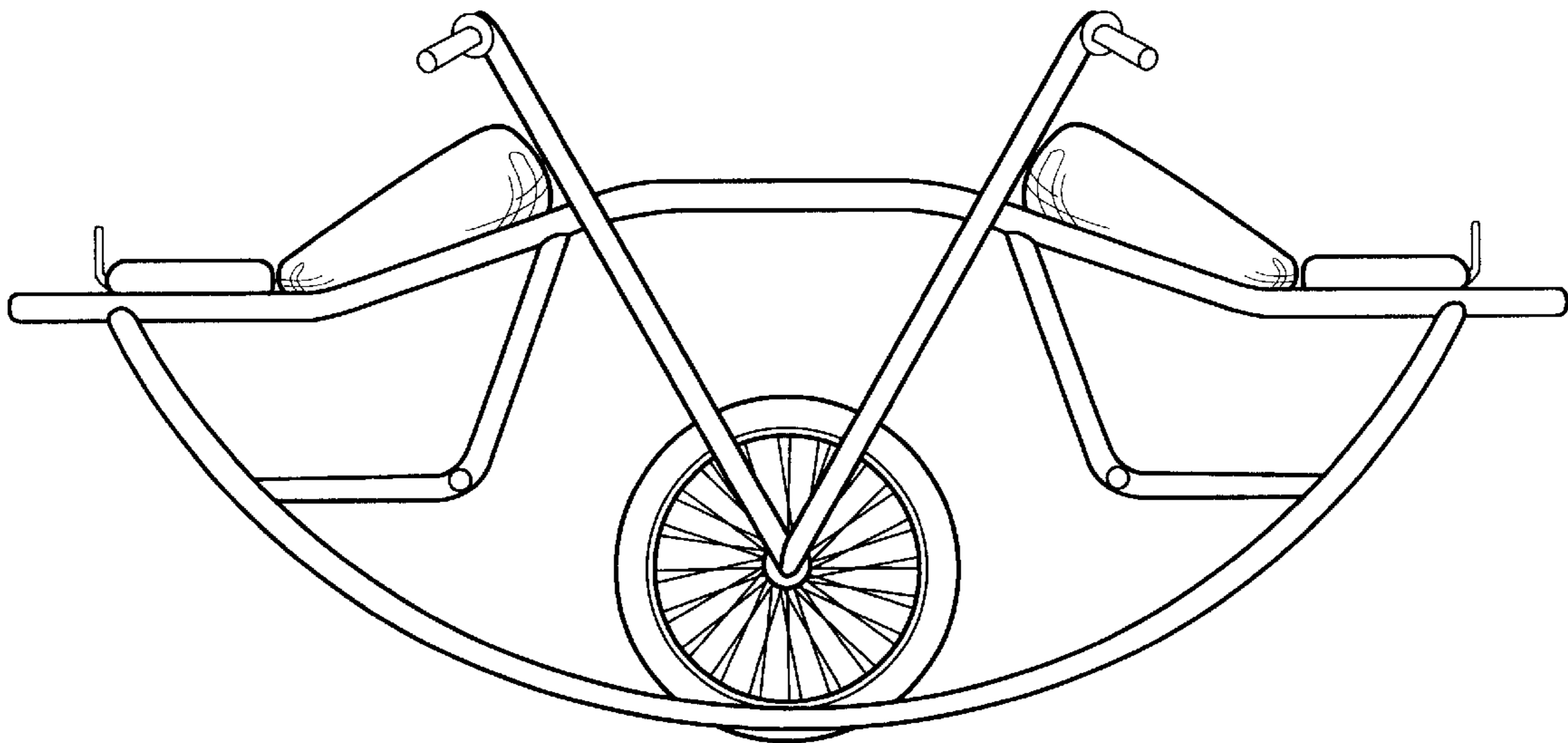


FIGURE 6

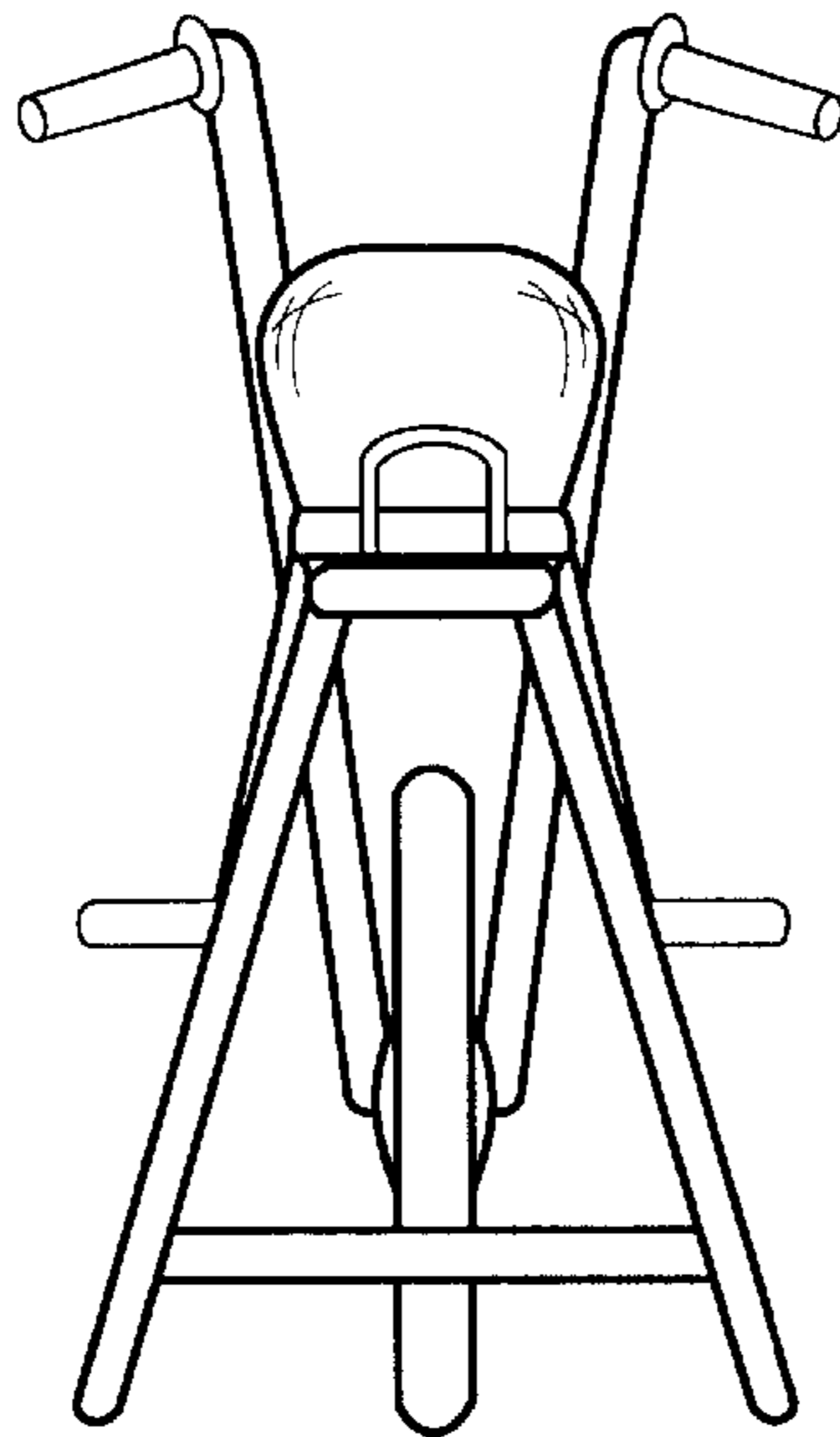


FIGURE 7

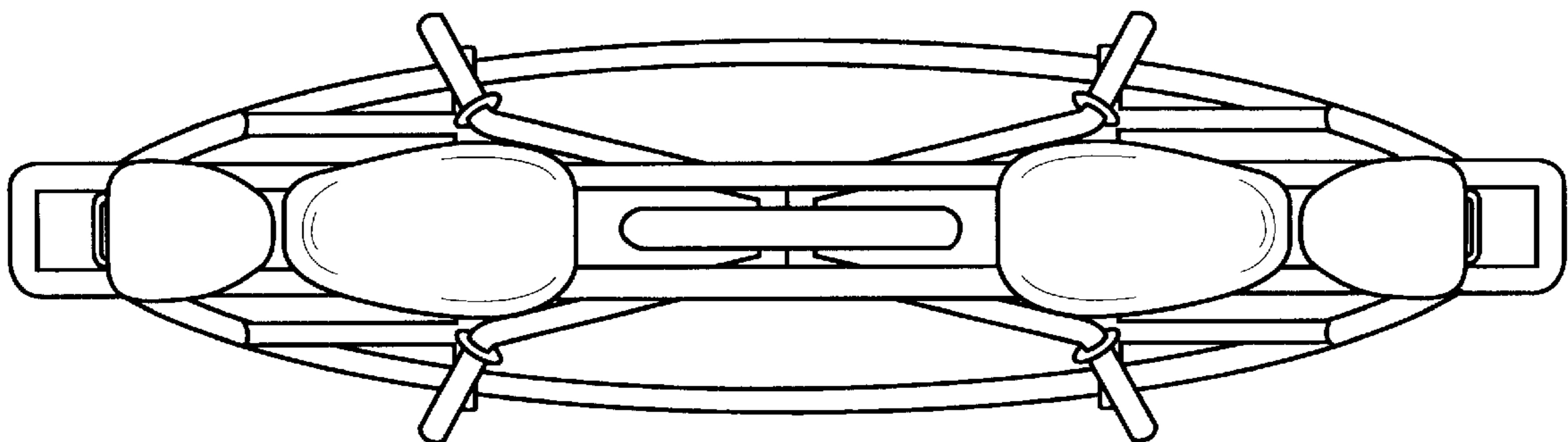


FIGURE 8