



US00D532830S

(12) **United States Design Patent** (10) **Patent No.:** **US D532,830 S**  
**MacVittie et al.** (45) **Date of Patent:** **\*\* Nov. 28, 2006**

(54) **GAMING SYSTEM INDICATOR FOR A SHARED SYMBOL DISPLAY**

(75) Inventors: **Michael MacVittie**, Las Vegas, NV (US); **Kehl T. LeSourd**, Reno, NV (US); **Kirk A. Tedsen**, Reno, NV (US); **Eric L. Wagner**, Sparks, NV (US); **Christopher D. Carlisle**, Reno, NV (US)

(73) Assignee: **IGT**, Reno, NV (US)

(\*\*) Term: **14 Years**

(21) Appl. No.: **29/253,511**

(22) Filed: **Feb. 8, 2006**

**Related U.S. Application Data**

(62) Division of application No. 29/214,425, filed on Sep. 30, 2004.

(51) **LOC (8) Cl.** ..... **21-01**

(52) **U.S. Cl.** ..... **D21/385; D21/369**

(58) **Field of Classification Search** ..... D21/334-375, D21/324, 329, 385; 273/138.1-139, 274, 273/292, 142 R, 148 R, 309; 463/16-17, 463/20, 25, 42, 46-47; D26/72, 118, 128, D26/135

See application file for complete search history.

(56) **References Cited**

**U.S. PATENT DOCUMENTS**

D109,522 S \* 5/1938 Perkins ..... D26/72  
4,614,342 A 9/1986 Takashima  
4,805,907 A 2/1989 Hagiwara

(Continued)

**FOREIGN PATENT DOCUMENTS**

EP 1 467 329 A2 4/2004  
GB 2 098 776 3/1982  
GB 2 322 217 12/1997  
GB 2 201 821 9/1998

**OTHER PUBLICATIONS**

The \$1,000,000 Pyramid Game advertisement, published by IGT in 2001.

(Continued)

*Primary Examiner*—Sandra L. Morris  
(74) *Attorney, Agent, or Firm*—Bell, Boyd & Lloyd LLC

(57) **CLAIM**

The ornamental design for a gaming system indicator for a shared symbol display, as shown and described.

**DESCRIPTION**

This application relates to the following co-pending commonly owned patent applications: “Gaming System Shared Symbol Display And Protective Dome,” Ser. No.29/253,516, “Gaming System Dome For A Shared Symbol Display,” Ser. No. 29/253,510, “Gaming System Dome For A Shared Symbol Display,” Ser. No. 29/253,514, “Gaming System Dome For A Shared Symbol Display,” Ser. No. 29/253,518, “Gaming System Dome Cap For A Shared Symbol Display,” Ser. No. 29/253,561, “Gaming System Dome Cap For A Shared Symbol Display,” Ser. No. 29/253,508, “Gaming System Indicators For A Shared Symbol Display,” Ser. No. 29/253,513, “Gaming System Light Candle And Indicator For A Shared Symbol Display,” Ser. No. 29/253,560, “Gaming System Having A Gaming Machine Display And Spacer Displays For A Shared Symbol Display,” Ser. No. 29/253,512, “Gaming System Light Candle,” Ser. No. 29/253,517, and “Gaming System Spacer Assembly For A Shared Symbol Display,” Ser. No. 29/253,515.

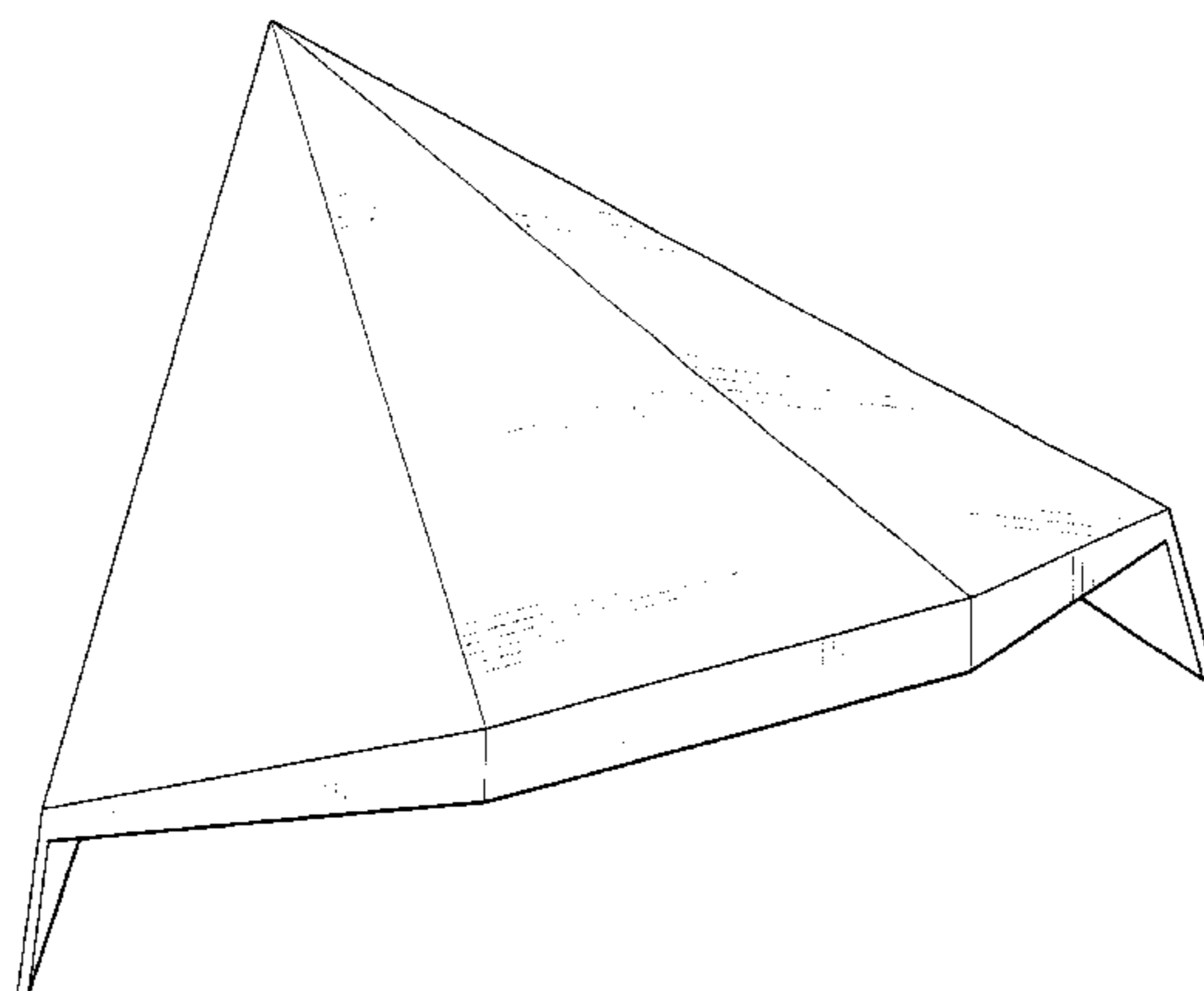
FIG. 1 is a front perspective view of an indicator of the gaming system of our new design.

FIG. 2 is a top plan view of the indicator of the gaming system of our new design illustrated in FIG. 1.

FIG. 3 is an elevated left side view of the indicator of the gaming system of our new design illustrated in FIG. 1, the right side being a mirror image thereof.

FIG. 4 is an elevated front view of the indicator of the gaming system of our new design illustrated in FIG. 1; and, FIG. 5 is an elevated back view of the indicator of the gaming system of our new design illustrated in FIG. 1.

**1 Claim, 3 Drawing Sheets**



U.S. PATENT DOCUMENTS

4,837,728	A	6/1989	Barrie et al.	
4,976,438	A	12/1990	Tashiro et al.	
5,167,413	A	12/1992	Fulton	
5,221,083	A	6/1993	Dote	
D344,296	S	2/1994	McKay et al.	
5,292,127	A	3/1994	Kelly et al.	
5,320,351	A	6/1994	Suzuki	
5,431,492	A	7/1995	Rothschild et al.	
D373,132	S	* 8/1996	Baillie-Hamilton et al. ....	D26/118
5,605,506	A	2/1997	Hoorn et al.	
5,611,730	A	3/1997	Weiss	
5,622,366	A	4/1997	Inoue	
5,634,639	A	6/1997	Tokito et al.	
5,639,089	A	6/1997	Matsumoto et al.	
D383,171	S	9/1997	Hanscom	
5,664,998	A	9/1997	Seelig et al.	
5,755,619	A	5/1998	Matsumoto et al.	
RE35,819	E	6/1998	Suzuki	
5,788,573	A	8/1998	Baerlocher et al.	
5,816,920	A	10/1998	Hanai	
5,823,874	A	10/1998	Adams	
5,836,817	A	11/1998	Acres et al.	
5,848,932	A	12/1998	Adams	
5,876,284	A	3/1999	Acres et al.	
5,879,235	A	3/1999	Kaneko et al.	
5,911,418	A	6/1999	Adams	
5,924,927	A	7/1999	Matsuura et al.	
5,976,019	A	11/1999	Ikeda et al.	
5,984,782	A	11/1999	Inoue	
D421,068	S	2/2000	Yamaguchi	
6,019,369	A	2/2000	Nakagawa et al.	
6,039,649	A	3/2000	Schulze	
6,082,734	A	7/2000	Uehara et al.	
6,089,978	A	7/2000	Adams	
6,105,962	A	8/2000	Malavazos et al.	
6,162,121	A	12/2000	Morro et al.	
6,162,122	A	12/2000	Acres et al.	
6,168,520	B1	1/2001	Baerlocher et al.	
D439,282	S	3/2001	Yamaguchi	
6,224,483	B1	5/2001	Mayeroff	
6,334,814	B1	1/2002	Adams	
6,336,863	B1	1/2002	Baerlocher et al.	
6,364,314	B1	4/2002	Canterbury	
6,364,767	B1	4/2002	Brossard et al.	
D462,397	S	9/2002	Baker et al.	
6,464,586	B1	10/2002	Kamata et al.	
6,607,195	B1	8/2003	Vancura	
6,629,887	B1	10/2003	Todaiji et al.	
6,663,488	B1	12/2003	Adams	
D486,869	S	2/2004	Webb et al.	
D487,582	S	3/2004	McGahn et al.	
6,705,944	B1	3/2004	Luciano	
6,715,756	B1	4/2004	Inoue	
6,848,991	B1	2/2005	Kusuda	
2001/0003709	A1	6/2001	Adams	
2001/0018361	A1	8/2001	Acres	
2002/0052234	A1	5/2002	Adams	
2002/0142826	A1	10/2002	Adams	
2002/0142830	A1	10/2002	Adams	
2002/0198038	A1	12/2002	Adams	
2003/0013520	A1	1/2003	Adams	
2003/0040355	A1	2/2003	Baerlocher	
2003/0087689	A1	5/2003	Adams	
2003/0100361	A1	5/2003	Sharpless et al.	
2003/0114216	A1	6/2003	Adams	
2003/0157979	A1	8/2003	Cannon et al.	
2003/0199316	A1	10/2003	Miyamoto et al.	
2004/0002372	A1	1/2004	Rodgers et al.	
2004/0009807	A1	1/2004	Miller et al.	

2004/0038728	A1	2/2004	Adams
2004/0038734	A1	2/2004	Adams
2004/0048645	A1	3/2004	Webb et al.
2004/0051240	A1	3/2004	Adams
2004/0053660	A1	3/2004	Webb et al.
2004/0053665	A1	3/2004	Baerlocher
2004/0082378	A1	4/2004	Peterson et al.
2004/0102237	A1	5/2004	Baerlocher
2004/0121838	A1	6/2004	Hughs-Baird et al.
2004/0147306	A1	7/2004	Randall et al.
2004/0162128	A1	8/2004	Baerlocher et al.
2005/0153780	A1	7/2005	Gauselmann

OTHER PUBLICATIONS

The \$1,000,000 Pyramid Video Slots Game advertisement, published by IGT in 2003.

2<sup>nd</sup> Chance 7s article, published by Strictly Slots in Nov. 2000.

Alice in Cardland advertisement, published by Eolith prior to Sep. 30, 2004.

American Bandstand advertisement, published by IGT in 2001.

Astra article published in Coinslot Industry in Jan. 2003.

Atronic Merchandising advertisement, written by Atronic, published in 2004.

Austin Powers in Goldmember article, published by Strictly Slots in Mar., 2004.

Austin Powers in Goldmember Video Slots Game advertisement, published by IGT in 2001.

Bad Boys Jackpot advertisement, published by R. Franco in 2004.

Bands of Gold advertisement, written by Euro Games, published prior to Sep. 30, 2004.

Barnyard Game advertisement, published by Aristocrat prior to Sep. 30, 2004.

The Beverly Hills Video Slots advertisement, published by IGT in 2003.

Big Monte Game advertisement, published by Bally Gaming in 2003.

Blazing Sevens Wheel of Gold advertisement, published prior to Sep. 30, 2004.

Bonus Road Rally Game advertisement, published by A. C. Coin & Slot Service Company in 1997.

Bonus Roulette advertisement, written by R. Franco, published prior to Sep. 30, 2004.

Buck's Roulette advertisement, written by R. Franco, published prior to Sep. 30, 2004.

Captain Scarlet advertisement, written by ACE Coin Equipment, published in 2004.

Carousel advertisement, written by Empire Games Limited, published prior to Sep. 30, 2004.

Cartoon Jackpots advertisement, written by Bally Gaming Systems in 2004.

Cash Bazaar advertisement, published by Bell-Fruit Games in 2003.

Cash for Life and Sale of the Century articles, published by Strictly Slots in Jun. 2003.

Cash for Life Triple Spin Bounus article, published in Strictly Slots in Feb. 2003.

Cash Wheel advertisement, published by Bell-Fruit Games prior to Sep. 30, 2004.

Cash Wheel advertisement, published by Maygay in Feb., 2002.

Casino Beaver Las Vegas! published by Global Games, date unknown.

- Circus advertisement, written by R. Franco, published prior to Sep. 30, 2004.
- Classic Pot of Gold advertisement, written by ACE Coin Equipment, published prior to Sep., 2003.
- Club Dungeons & Drag Queens Game advertisement, published by Global Games prior to Sep. 30, 2004.
- Clue Most Wanted Game advertisement, published by Mikohn in 2003.
- Cyclone advertisement, written by Innovative concepts in Entertainment, published prior to Sep. 30, 2004.
- Cyclone Jackpots written by Sigma Game, published Jan. 2001.
- Dance To It! Article, published by Strictly Slots in Jan. 2002.
- Daytona Gold advertisement, written by JPM, published prior to Sep. 30, 2004.
- Derby Champion advertisement, written by Chang Myung Co., Ltd., published prior to Sep. 30, 2004.
- Diamond Zone advertisement, written by Project, published prior to Sep. 30, 2004.
- Dice Roulette advertisement, published by General Automatic Amusement, published prior to Sep. 30, 2004.
- Dice Shaker advertisement, written by Elaut, published prior to Sep. 30, 2004.
- Doctor Dosh advertisement, published by Bell-Fruit Games, published prior to Sep. 30, 2004.
- Double Spin Slotto advertisement, written by AC Coin & Slot, published in 2004.
- Dream Catcher Treasure Wheel, written by Sigma Game, published Jan. 2001.
- Dungeons and Drag Queens Game advertisement, published by Global Games prior to Sep. 30, 2004.
- Elvira advertisement, published by IGT in 2003.
- Elvira Game advertisement, published by IGT in 2002.
- Elvira Mistress of the Dark advertisement, published by IGT prior to Jun. 30, 2004.
- Elvis advertisement, published by IGT in 1999.
- Flash! Advertisement, published by Cyberdyne Gaming prior to Sep. 30, 2004.
- Frank Sinatra Gaming advertisement, published by IGT in Sep. 30, 2004.
- Fruitsusir game advertisement, written by Red Gaming, published prior to Sep. 30, 2004.
- Games and Technology article and photograph, published by International Gaming and Wagering Business in Jan. 2003.
- The Game of Life advertisement, published by Sigma prior to Sep. 30, 2004.
- The Game of Life Video Slot Game advertisement, published by Sigma, 2004.
- Games Station advertisement, written by Atronic International, published Feb., 2003.
- Game Time International Gaming advertisements, published in Aug., 2004.
- Golden Dice advertisement, written by Cadillac Jack, published in 2004.
- Gold Dragon Game Description, published by Barcrest Games prior to Sep. 30, 2004.
- Golden Roulette advertisement, written by Cadillac Jack, published in 2004.
- Holy Smoke! Advertisement, written by Impuse Gaming, published prior to Sep. 30, 2004.
- Hollywood Squares Prize Spin advertisement, written by WMS Gaming Inc., published in 2004.
- Hollywood Squares Tour of Stars article, published by Compton Dancer Consulting, Inc. in Oct. 2003.
- Hybrid Combining the Best of Both Slot Worlds! Advertisement, written by Bally Gaming Systems, published in 2004.
- Hypnotic Advertisement and Game Description, published by Barcrest Games prior to Sep. 30, 2004.
- IGT World of Games MegaJackpots Video Slots advertisement, written by IGT, published in 2004.
- IGT World of Games Class II and Central Determination Games written by IGT, published in 2004.
- Jackpot Carnival advertisement, published by The Gaming Entertainers Magazine 2003, in 2003.
- Let Freedom Ring advertisement, written by Rocket Gaming Systems, published in 2004.
- Life's Little Games article, published by Strictly Slots in Jun. 2002.
- Lucky Belle Game advertisement, published by Amatic Industries prior to Sep. 30, 2004.
- Lucky Wheel advertisement written by Carat Gaming Technology, published prior to Sep. 30, 2004.
- Lucky Wheel Game advertisement, published by Strictly Slots in Mar. 2004.
- M\*A\*S\*H Video Slots Game advertisement, published by IGT in 2003.
- Magic Roulette De Luxe advertisement by IAMC, published by IAMC in 2004.
- Mayan Wheel of Gold article, published by Strictly Slots prior to Sep. 30, 2004.
- Money Bags Game advertisement, published by Acres Gaming prior to Sep. 30, 2004.
- Monte Carlo advertisement, written by Bally Gaming Systems, published in 2004.
- Monte Carlo advertisement, published by Bally Gaming Systems prior to Sep. 30, 2004.
- Monte Carlo advertisement, published by Bally Gaming Systems prior to Sep. 30, 2004.
- Monte Carlo Game advertisement, published by Bally Gaming Systems in 2003.
- Life Article, published by Strictly Slots in Jun. 2002.
- On the Money article, published by Strictly Slots in Dec. 2000.
- Party Games advertisement, published by Astra in 2003.
- Party Time Bingo Advertisement published by Astra Games Limited, date unknown.
- Pick a Prize advertisement, published by Acres Gaming Incorporated prior to Sep. 30, 2004.
- Quarter Millions advertisement, written by Bally Gaming, Inc., published in 2003.
- Quarter Millions advertisement, written by Bally Gaming, Inc., published in 2004.
- Quarter Millions article, published by Strictly Slots in Apr. 2004.
- R&B Game advertisement, published by A. C. Coin & Slot prior to Sep. 30, 2004.
- Rapid Roulette Game advertisement, published by John Huxley in 2003.
- Rapid Roulette Product Overview Game advertisement, published by John Huxley in 2002.
- Reel Slots advertisement, published by Sigma prior to Sep. 30, 2004.
- Ring-a-Bell Game advertisement, published by JPM prior to Sep. 30, 2004.
- Ring of Fire Game advertisement, published by Amatic Industries prior to Sep. 30, 2004.
- Roulette advertisement, published by Atronic in 1999.

- Roulette Grand Jeu advertisement, published by Amatic Industries prior to Sep. 30, 2002.
- Roulette Grand Jeu Game description and advertisement, published by Amatic Industries prior to Sep. 30, 2004.
- Roulette Prestige advertisement, written by IAMC, published in 2004.
- Round and Round advertisement, written by R. Franco, published prior to Sep. 30, 2004.
- Royal Roulette advertisement, written by Impulse Gaming, published prior to Sep. 30, 2004.
- Run for Your Money Game advertisement, published by IGT prior to Sep. 30, 2004.
- Run for Your Money Game advertisement, published by IGT in 1998.
- S2000 Slotto advertisement, written by AC Coin & Slot, published in 2004.
- SCX Stepper advertisement, written by Aristocrat, published in 2004.
- Seeben Gaming Machine advertisement, published in Oct. 2004.
- Shaking Dice advertisement, published by General Automatic Amusement prior to Sep. 30, 2004.
- Show News IGT Jan. 2003 advertisements, published by IGT, 2003.
- Showtime advertisement, written by Red Gaming, published prior to Sep. 30, 2004.
- Sinatra Video Slot advertisement, published by IGT in 2003.
- Spin-A-Lot advertisement, published by Acres Gaming prior to Sep. 30, 2004.
- Spintastic! article, published by Casino Data Systems prior to Sep. 30, 2004.
- Super Reel advertisement, published by Electrocoin Gaming prior to Sep. 30, 2004.
- Texas Tea game description, published by IGT in 2000.
- Texas Tea Game advertisement website page [http://www.igt.com/games/new\\_games/texastea.html](http://www.igt.com/games/new_games/texastea.html), printed on Mar. 21, 2001.
- Texas Tea Game advertisement, published by IGT prior to Sep. 30, 2004.
- Top Secret 2 advertisement, written by Unidesa Gaming, published in 2004.
- Treasure Wheel Double Jackpot, published by Sigma prior to Sep. 30, 2004.
- Treble Chance advertisement, published by Astra in Jan. 2003.
- Tutankamon advertisement, written by R. Franco, published in 2004.
- Twinkle Dome advertisement, written by Manjyudo Co, published prior to Sep. 30, 2004.
- Victory advertisement, written by Elaut, published prior to Sep. 30, 2004.
- Victory Game advertisement, published by General Automatic Amusement prior to Sep. 30, 2004.
- Wheel and Deal article, published by Strictly Slots in Dec. 2001.
- Wheel of Adventure, published by John Huxley prior to Sep. 30, 2004.
- Wheel of Fortune Game advertisement, published by General Automatic Amusement prior to Sep. 30, 2004.
- Wheel of Fortune Advertisement published by General Automatic Amusement, date unknown.
- Wheel of Fortune Game advertisement, published by IGT in 1999.
- Wheel of Fortune Game advertisement, published by IGT in 1998.
- Wheel of Fortune Slots S2000 Series Advertisement, published by IGT in 2002.
- Wheel of Fortune Game Show web page <http://www.wheeloffortune.com/bios.pjw?cat=events>, printed on Dec. 15, 2004.
- Wheel of Fortune Lucky Spin advertisement, published by IGT, published prior to Sep. 30, 2004.
- Wheel of Fortune Special Edition advertisement, written by IGT, published in 2004.
- Wheel of Fortune Special Edition Classic Spin Video Slots, written by IGT, published before Sep. 30, 2004.
- Wheel of Fortune Triple Action article, published in Strictly Slots in Feb. 2004.
- Wheel of Fortune Video advertisement, published by IGT in 1999.
- Wheel of Fortune Video Slots advertisement, published by IGT in 2002.
- Wheel of Fortune Video Slots advertisement, published by IGT prior to Sep. 30, 2004.
- Wheel of Gold advertisement, published by Anchor in 1995.
- Wheel Spins Bonus (Video Wheel of Fortune) article written by IGT, published before Sep. 30, 2004.
- Wild Race advertisement, written by Unidesa Gaming & Systems, published in 2004.
- Winning Ways advertisement, published by Vivid prior to Sep. 30, 2004.
- Xtreme Gear advertisement, written by R. Franco, published prior to Sep. 30, 2004.
- Zerolabs advertisement, written by ZeroLabs, published in 2004.
- Zorro advertisement, written by Aristocrat, published in 2004.

\* cited by examiner

FIG.1

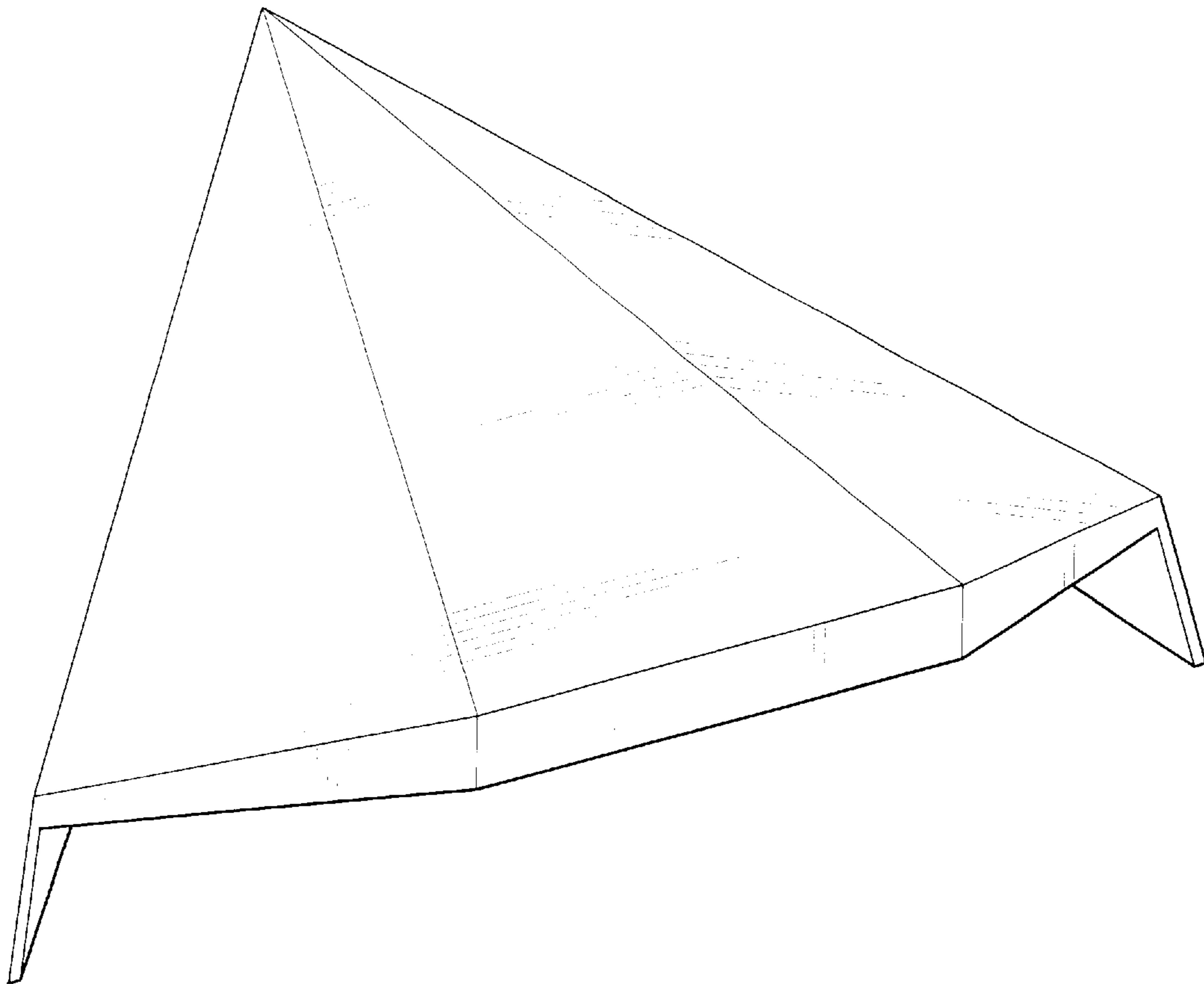


FIG. 2

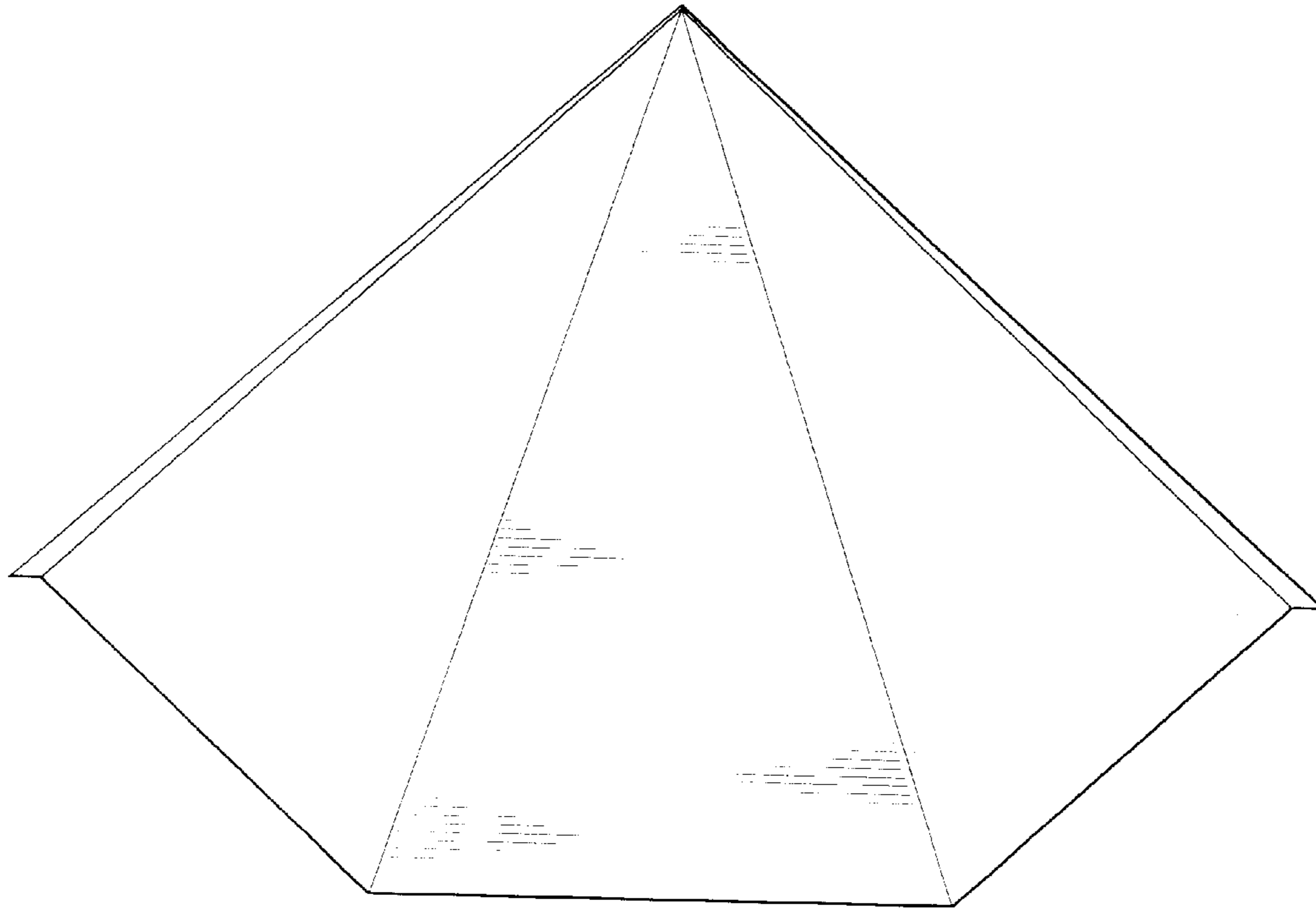


FIG. 3

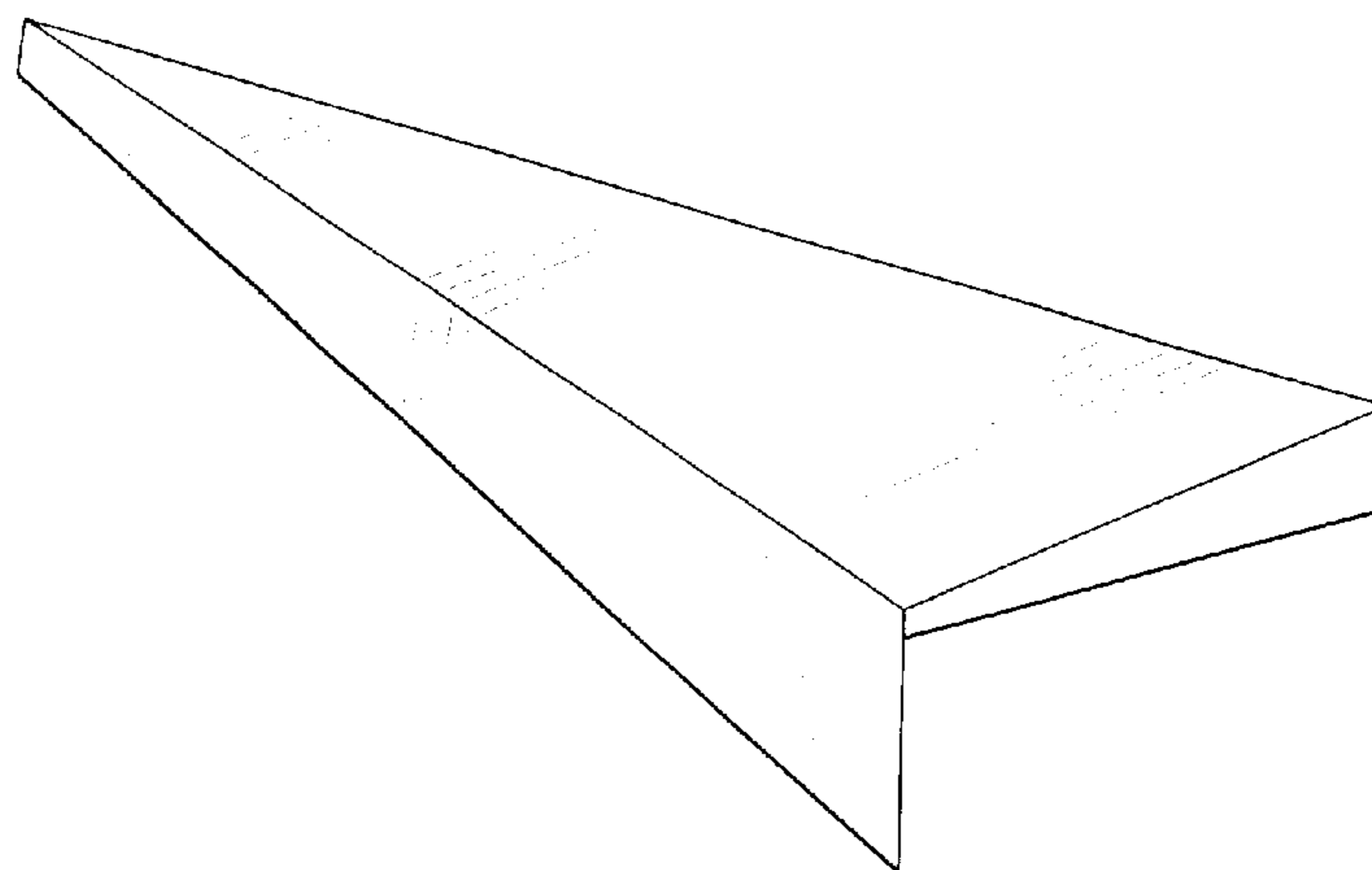


FIG. 4

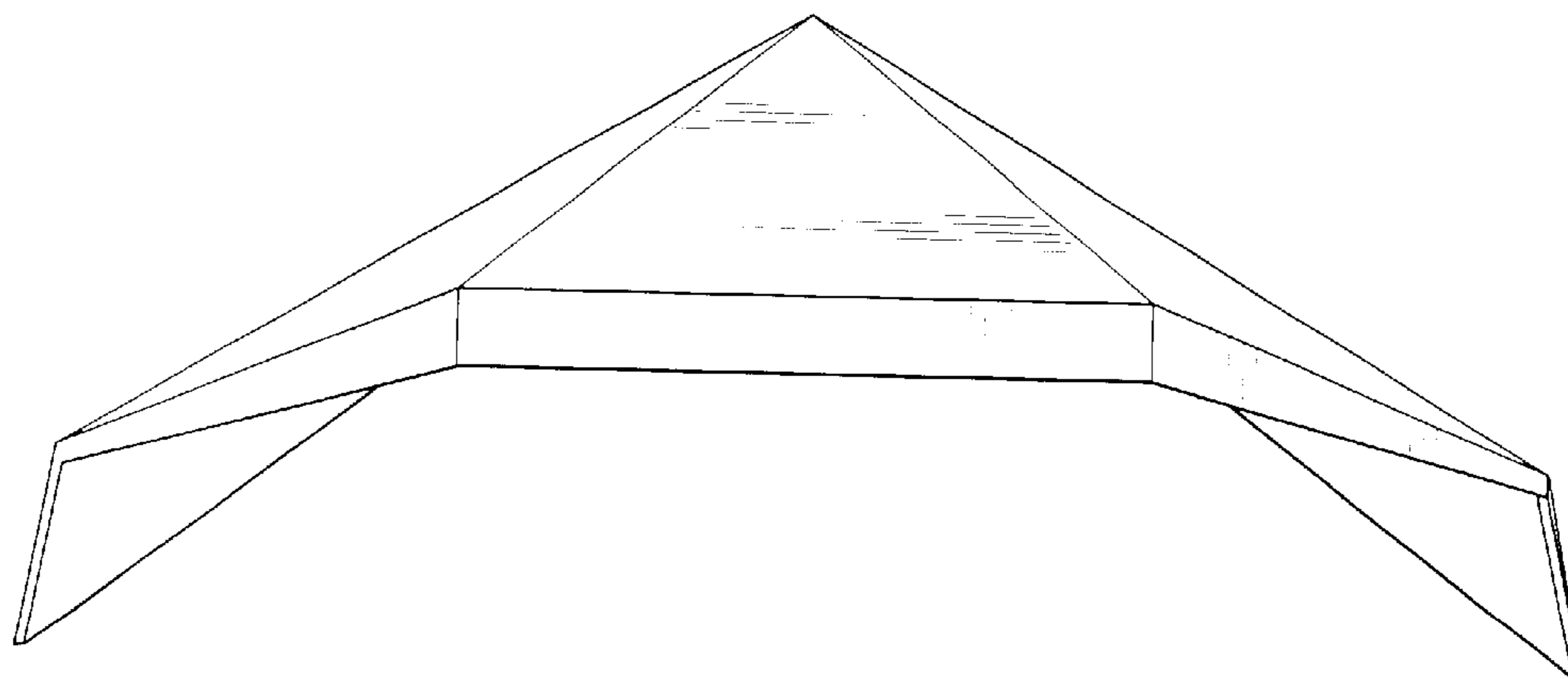


FIG. 5

