



US00D532829S

(12) **United States Design Patent**
Kawanobe et al.

(10) **Patent No.:** **US D532,829 S**

(45) **Date of Patent:** **** Nov. 28, 2006**

(54) **COVER FOR HAND-HELD ELECTRONIC GAME MACHINE**

(75) Inventors: **Naoya Kawanobe**, Kyoto (JP);
Tomoyuki Sakiyama, Kyoto (JP)

(73) Assignee: **Nintendo Co., Ltd.**, Kyoto (JP)

(**) Term: **14 Years**

(21) Appl. No.: **29/235,033**

(22) Filed: **Jul. 27, 2005**

(30) **Foreign Application Priority Data**

May 13, 2005	(JP)	2005-013671
May 13, 2005	(JP)	2005-013673
May 13, 2005	(JP)	2005-013674
May 13, 2005	(JP)	2005-013675

(51) **LOC (8) Cl.** **21-01**

(52) **U.S. Cl.** **D21/333; D14/401; D14/454**

(58) **Field of Classification Search** D14/399-401,
D14/432, 440, 454-457, 439; D21/324, 333,
D21/385; 273/148 B, 309; 463/1, 37, 46,
463/47; 345/156, 161, 162, 168, 169
See application file for complete search history.

(56) **References Cited**

U.S. PATENT DOCUMENTS

5,046,739	A	*	9/1991	Reichow	273/148 B
D360,903	S	*	8/1995	Barr et al.	D14/401
5,501,458	A	*	3/1996	Mallory	273/148 B
D373,137	S	*	8/1996	Nakada	D17/24
D396,495	S	*	7/1998	Hirokane	D21/385
D397,164	S		8/1998	Goto		
D402,317	S		12/1998	Goto		
D414,628	S	*	10/1999	Gager et al.	D6/445
6,241,247	B1		6/2001	Sternberg et al.		
D452,247	S		12/2001	Flynn		
6,342,009	B1	*	1/2002	Soma	463/38
D461,850	S		8/2002	Hussaini et al.		
D475,710	S	*	6/2003	Sheehan et al.	D14/401
D487,466	S		3/2004	Yokota		
D497,395	S		10/2004	Hancock et al.		

6,932,341 B1 * 8/2005 Kenyon 273/148 B

* cited by examiner

Primary Examiner—Prabhakar Deshmukh

(74) *Attorney, Agent, or Firm*—Nixon & Vanderhye, P.C.

(57) **CLAIM**

The ornamental design for a cover for hand-held electronic game machine, as shown and described.

DESCRIPTION

FIG. 1 is a front, bottom and left perspective view of a cover for hand-held electronic game machine showing a first embodiment our new design;

FIG. 2 is rear, top and right perspective view thereof;

FIG. 3 is a front view thereof;

FIG. 4 is a rear view thereof;

FIG. 5 is a top plan view thereof;

FIG. 6 is a bottom plan view thereof;

FIG. 7 is a left side view thereof;

FIG. 8 is a right side view thereof;

FIG. 9 is a reference perspective view showing a state that the cover is attached onto a top surface of a hand-held electronic game machine;

FIG. 10 is a front, bottom and left perspective view of a cover for hand-held electronic game machine showing a second embodiment our new design;

FIG. 11 is rear, top and right perspective view thereof;

FIG. 12 is a front view thereof;

FIG. 13 is a rear view thereof;

FIG. 14 is a top plan view thereof;

FIG. 15 is a bottom plan view thereof;

FIG. 16 is a left side view thereof;

FIG. 17 is a right side view thereof; and,

FIG. 18 is a reference perspective view showing a state that the cover is attached onto a top surface of a hand-held electronic game machine.

The matter shown in FIGS. 9 and 18 in dotted line configuration is intended to merely illustrate an environmental feature of the designs that forms no part of the claimed subject matter.

1 Claim, 8 Drawing Sheets

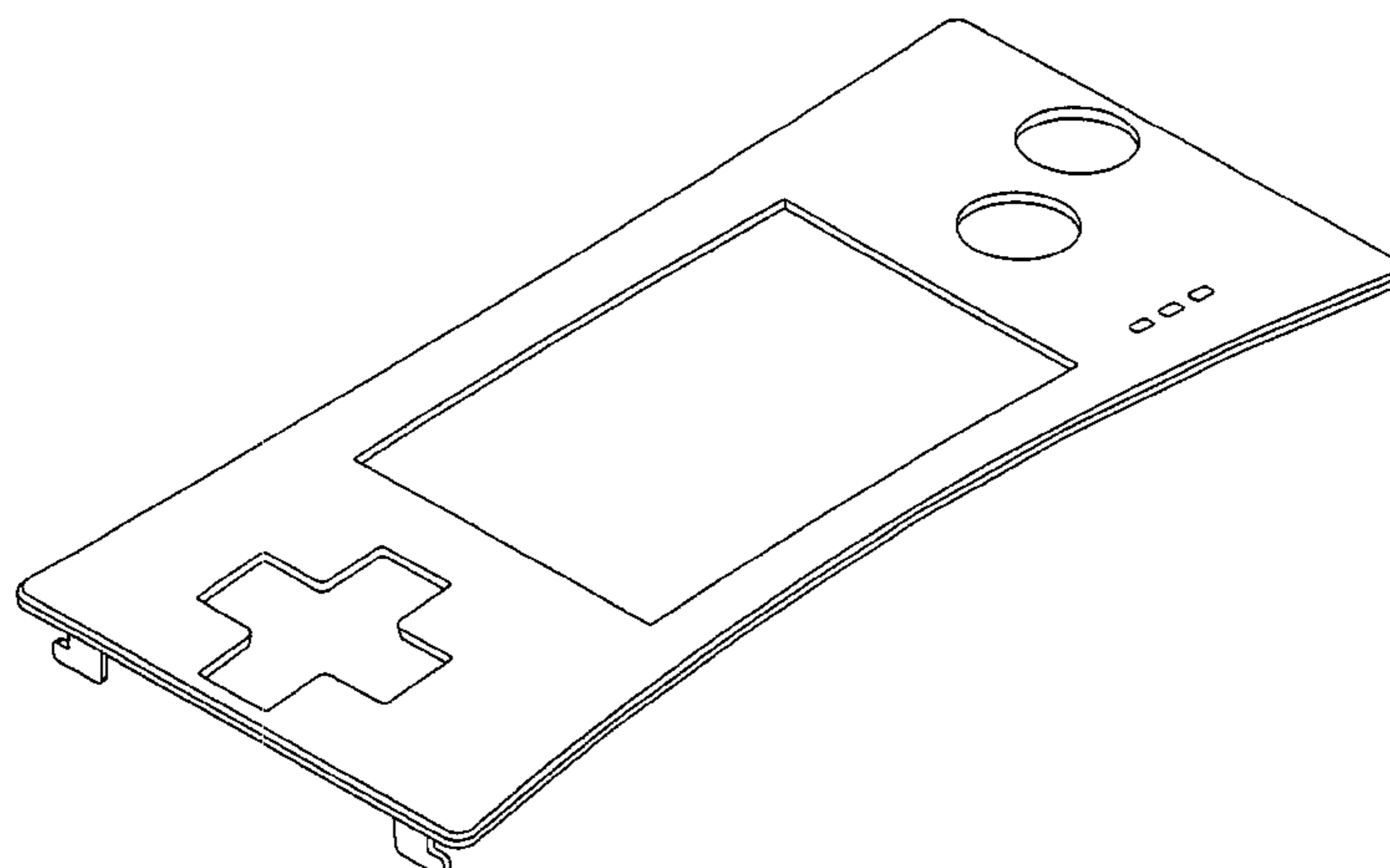


FIG. 1

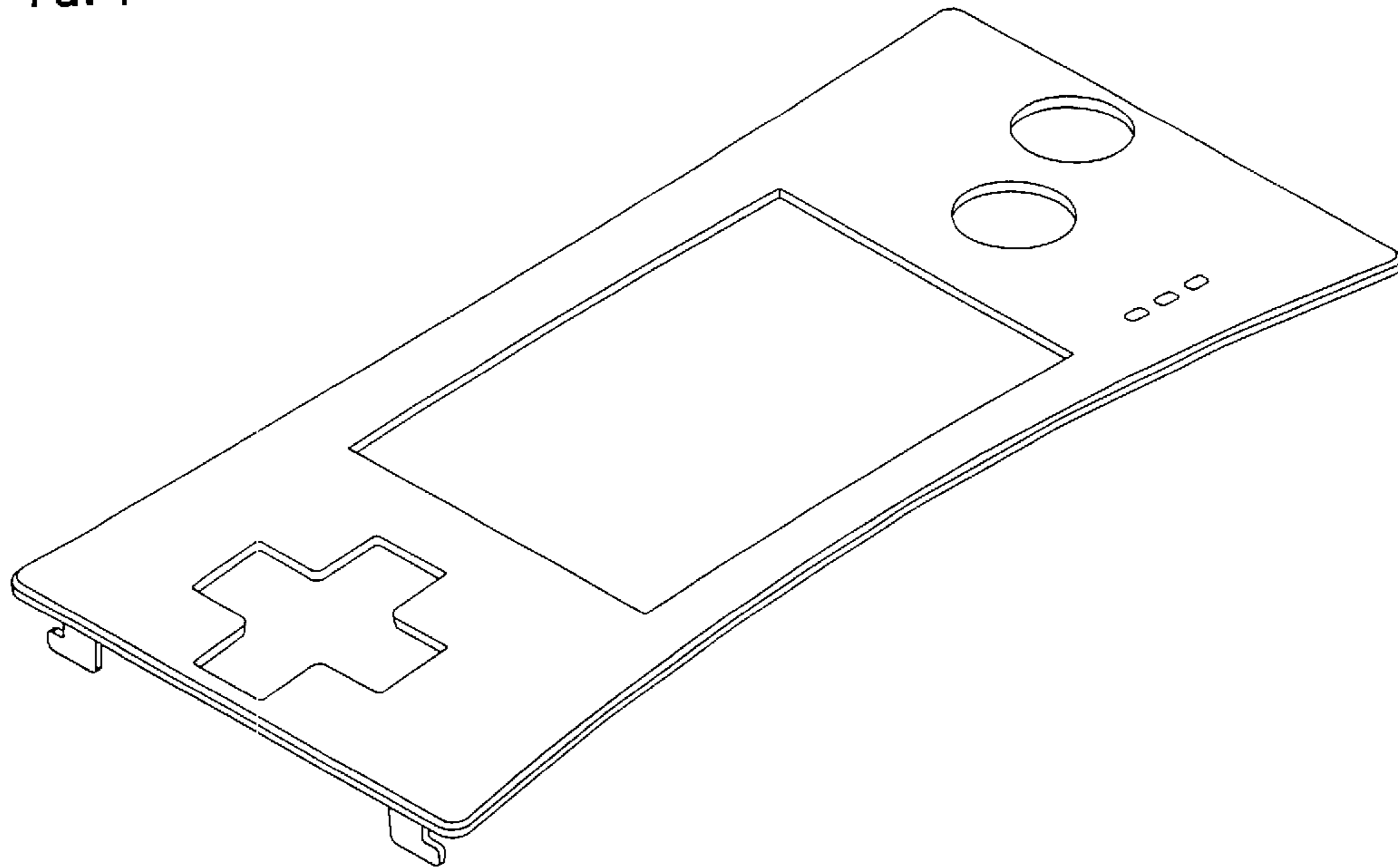


FIG. 2

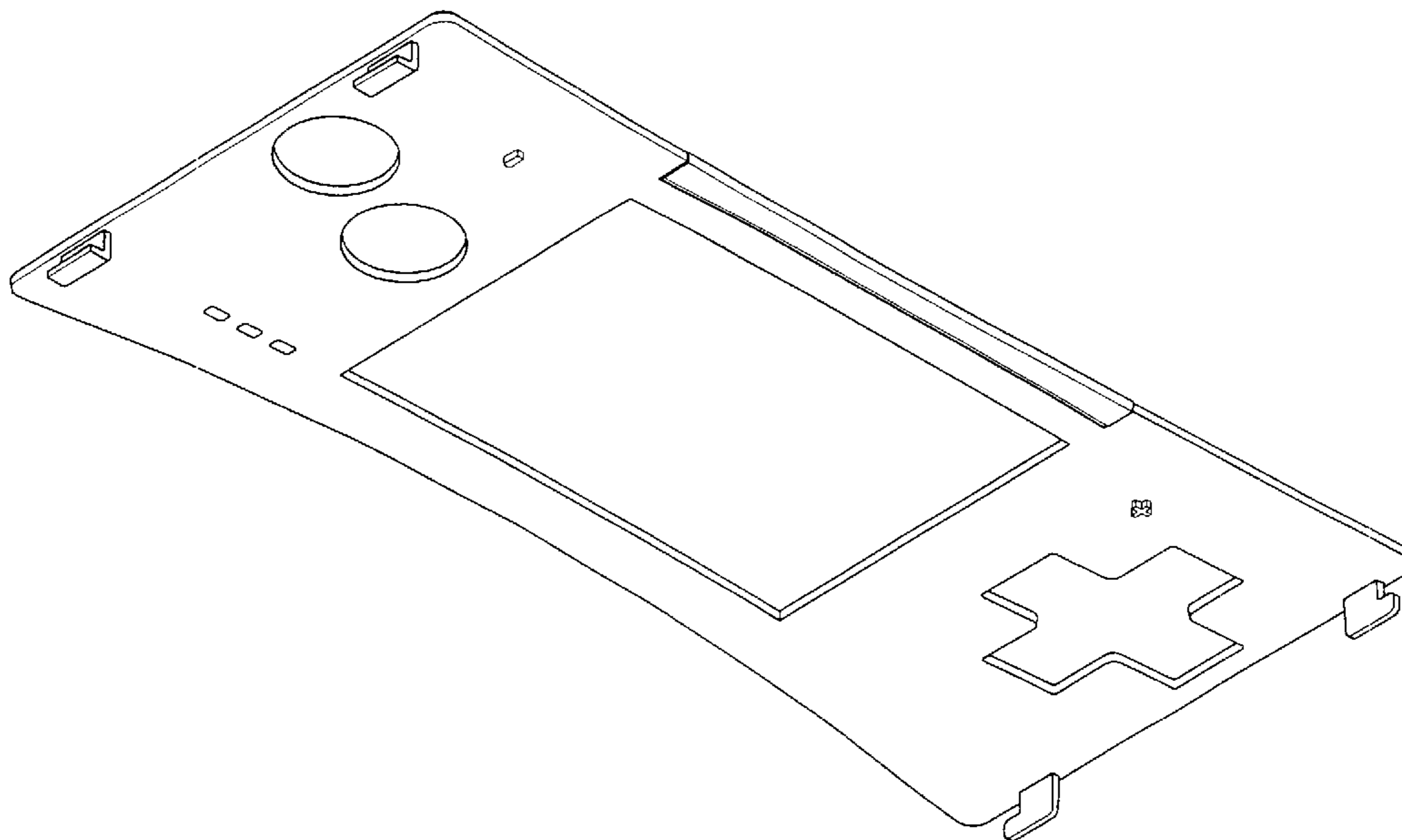


FIG. 3

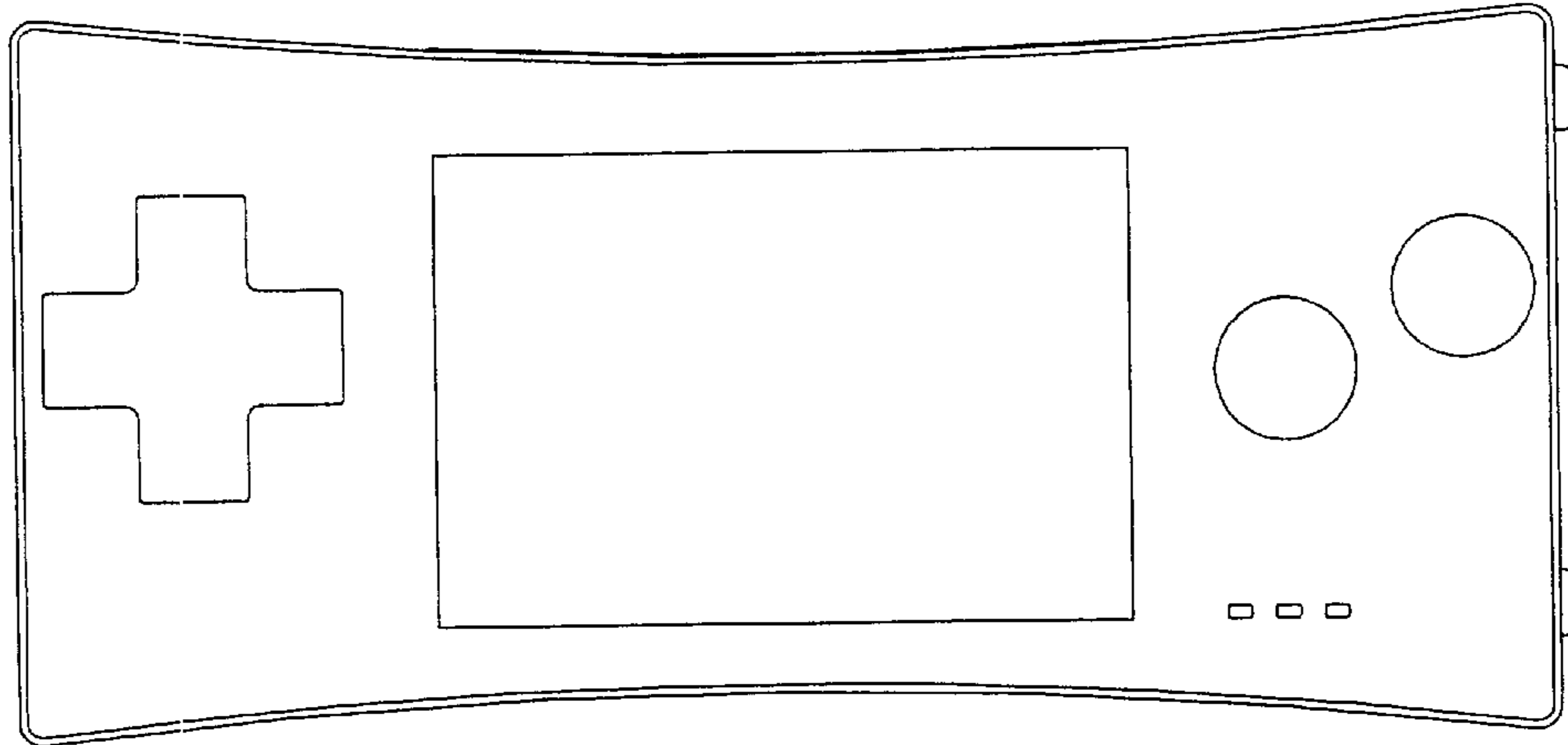


FIG. 4

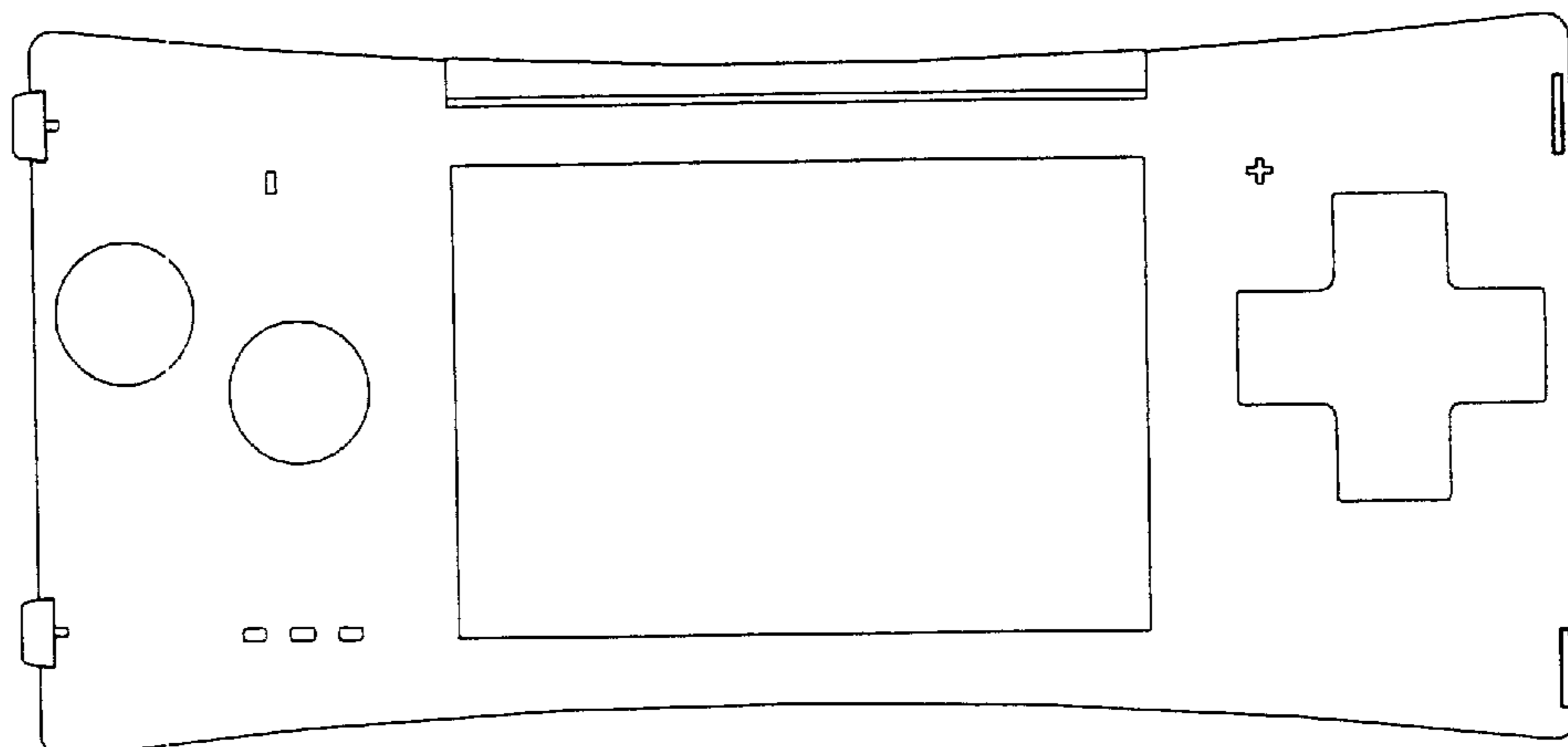


FIG. 5



FIG. 6

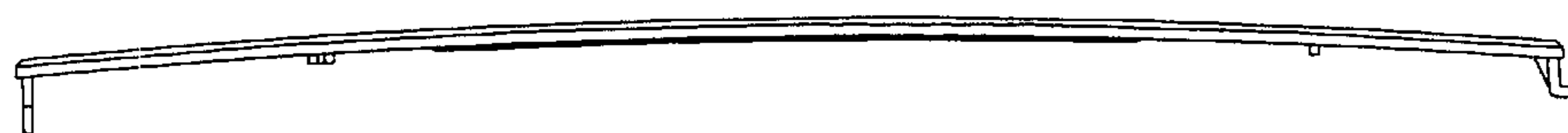


FIG. 7



FIG. 8



FIG. 9

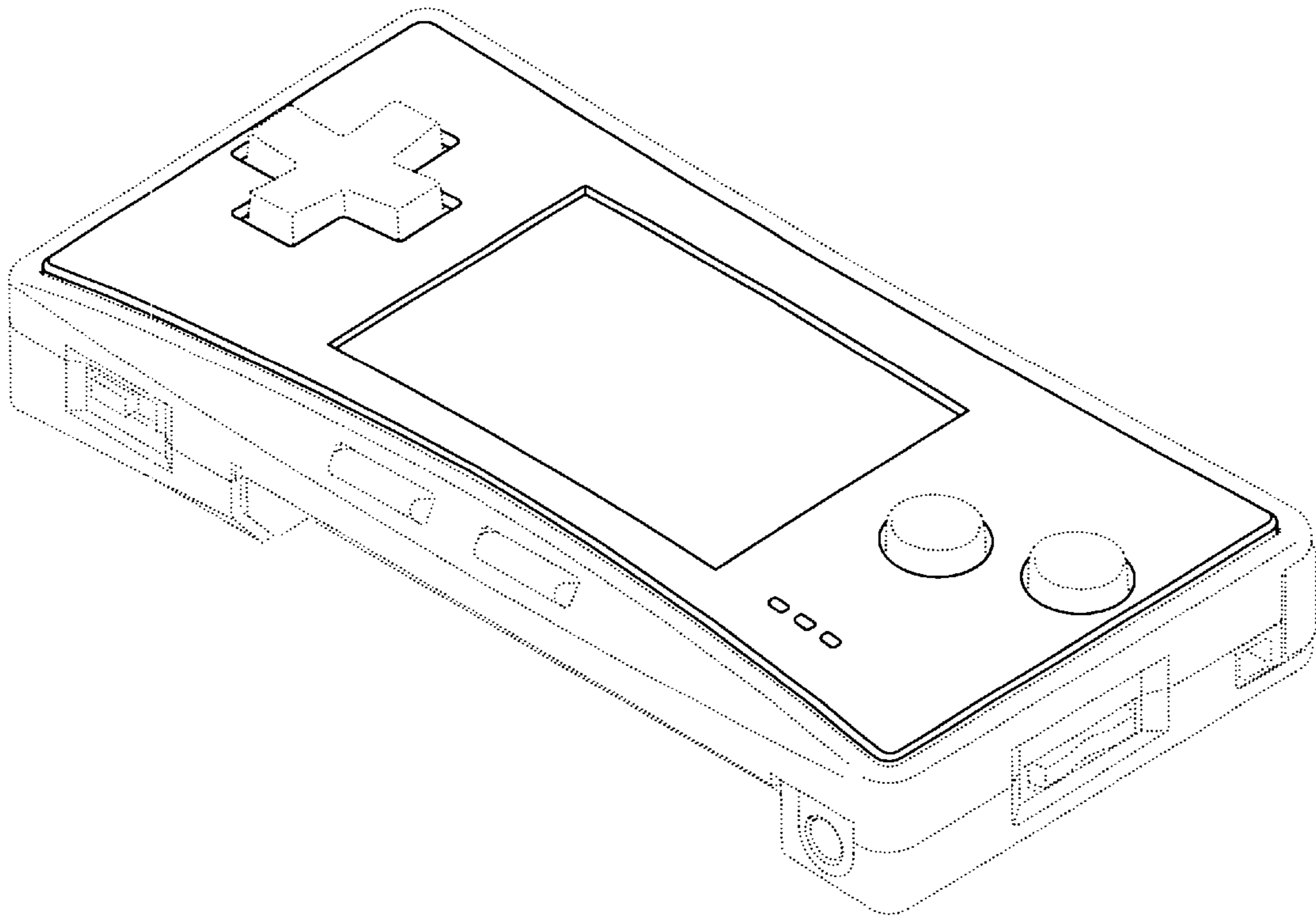


FIG. 10

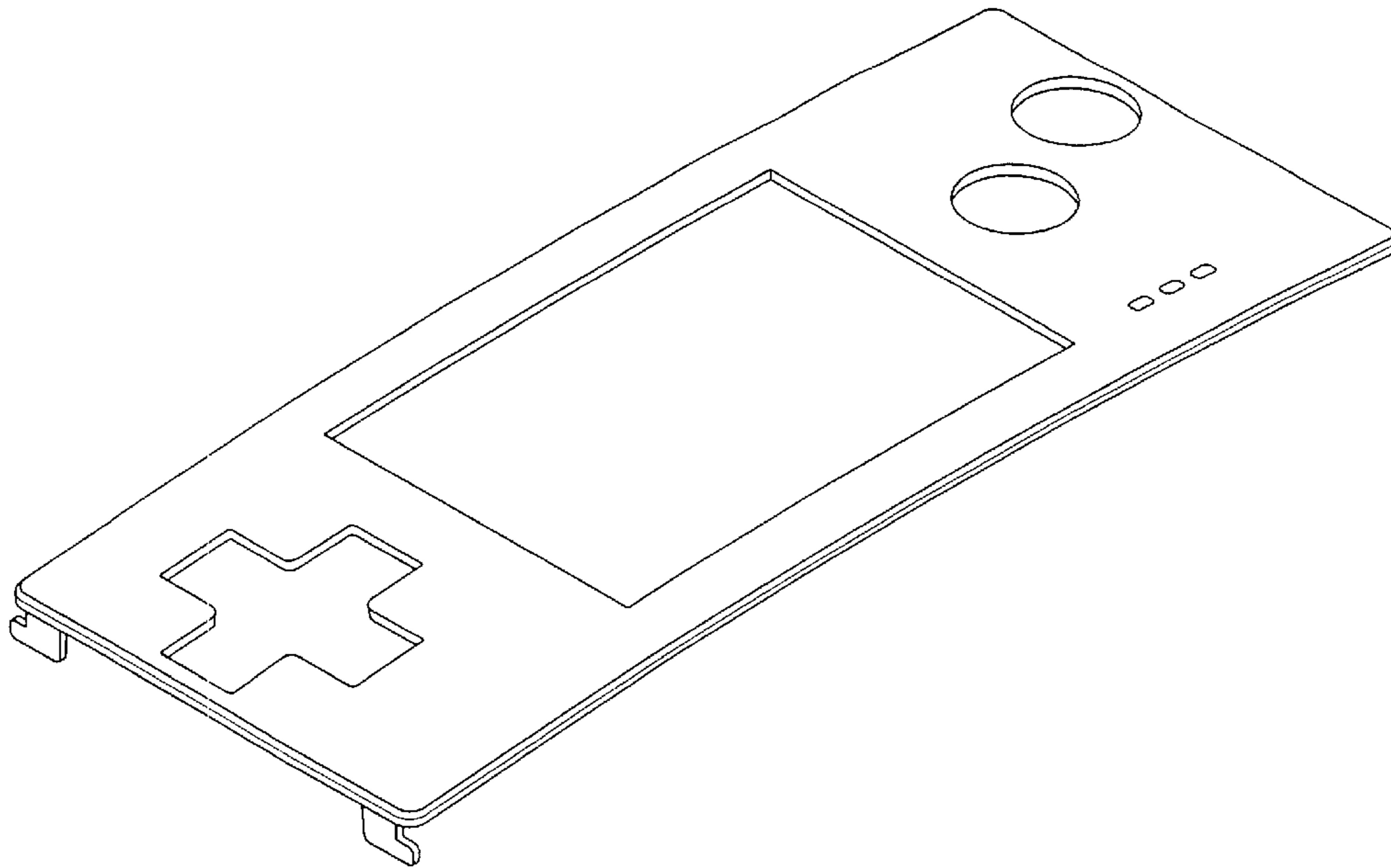


FIG. 11

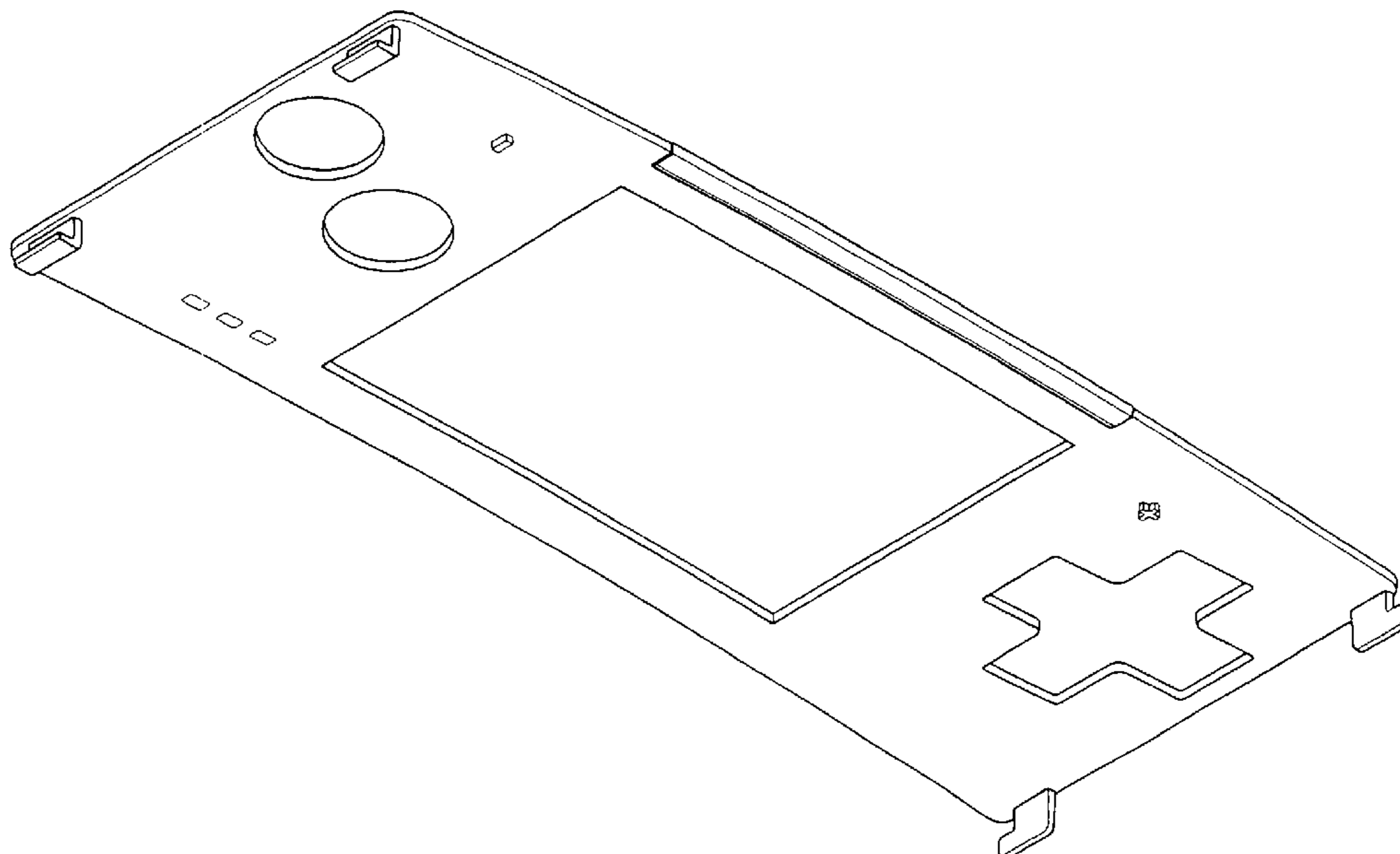


FIG. 12

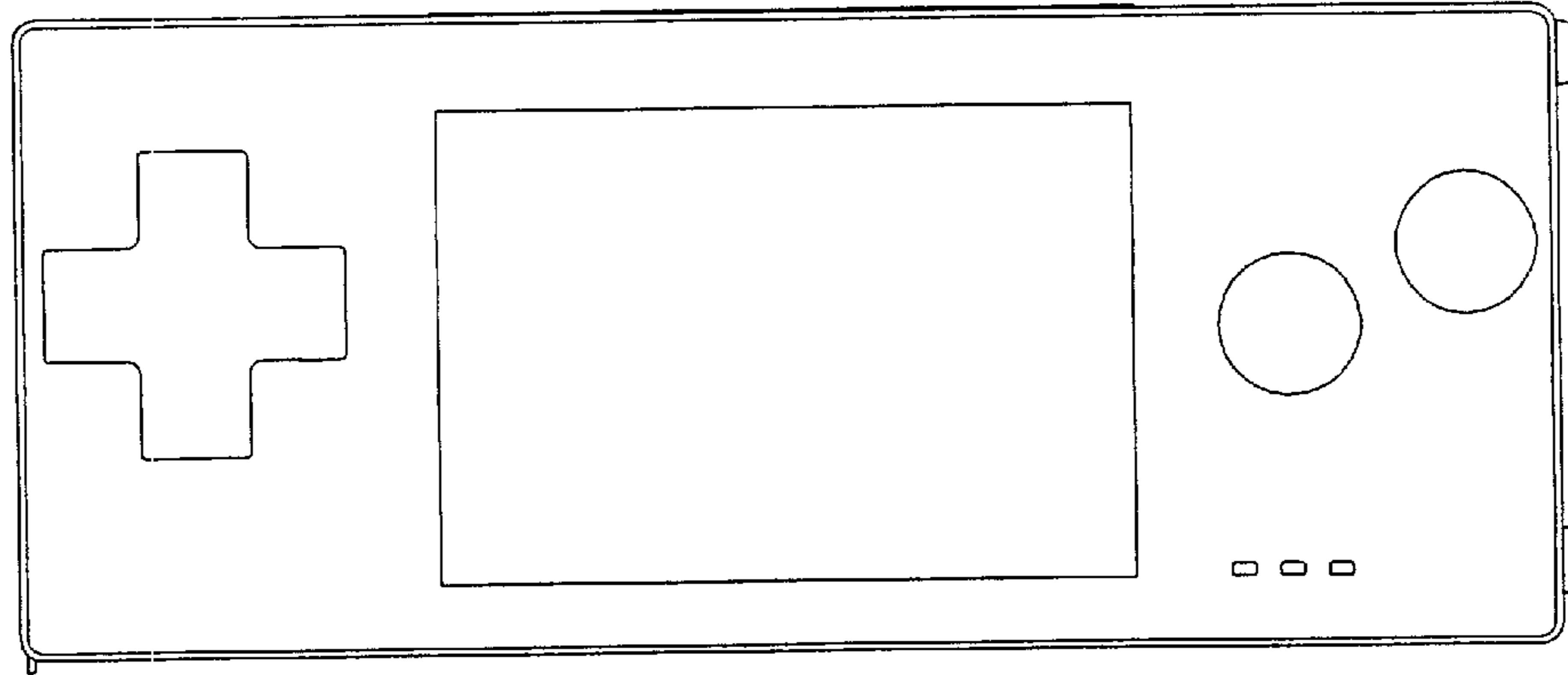


FIG. 13

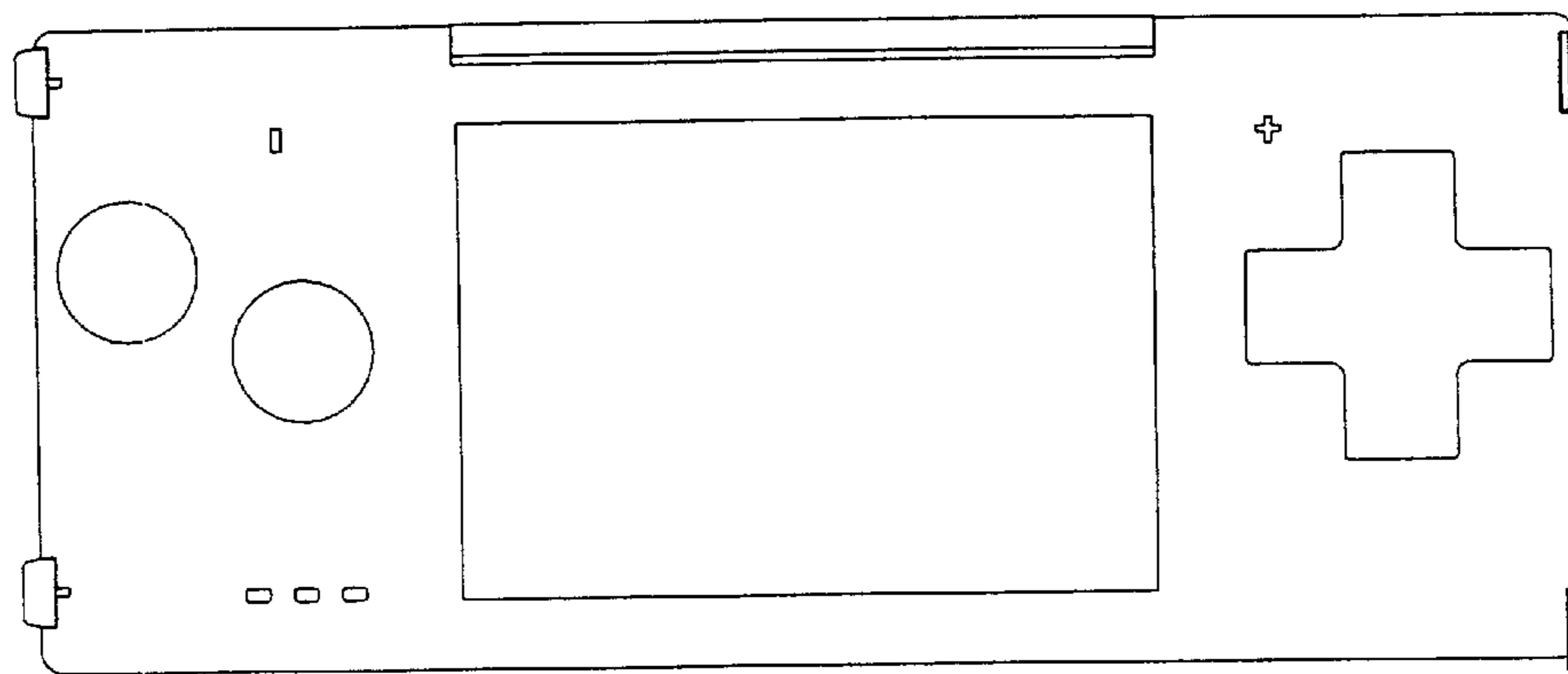


FIG. 14

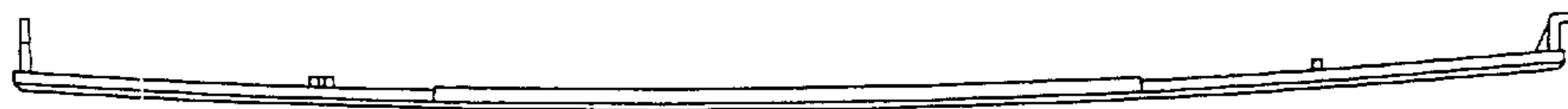


FIG. 15

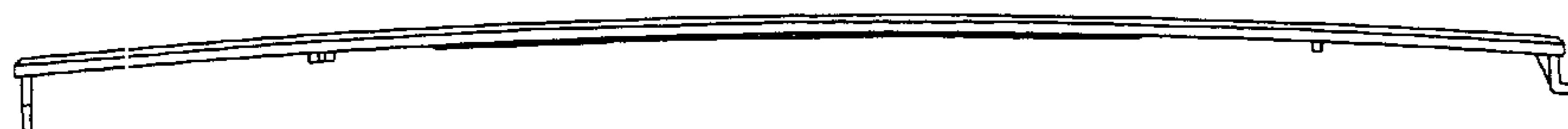


FIG. 16



FIG. 17



FIG.18

