



US00D532828S

(12) **United States Design Patent**
Muramatsu

(10) **Patent No.:** **US D532,828 S**

(45) **Date of Patent:** **** Nov. 28, 2006**

(54) **EXERCISE DEVICE**

(75) Inventor: **Etsushi Muramatsu**, Kanagawa (JP)

(73) Assignee: **Matsushita Electric Works, Ltd.**,
Osaka (JP)

(**) Term: **14 Years**

(21) Appl. No.: **29/234,580**

(22) Filed: **Jul. 20, 2005**

(30) **Foreign Application Priority Data**

Jan. 21, 2005 (JP) 2005-001478

(51) **LOC (8) Cl.** **21-02**

(52) **U.S. Cl.** **D21/290**

(58) **Field of Classification Search** D21/662,
D21/686, 690; D6/349, 662; D24/183; 472/96,
472/97; 446/313; 482/142

See application file for complete search history.

(56) **References Cited**

U.S. PATENT DOCUMENTS

4,519,787	A	*	5/1985	Williams	446/313
5,085,425	A	*	2/1992	Collins et al.	472/97
D351,742	S	*	10/1994	Phleps et al.	D6/367
D440,264	S	*	4/2001	Venhuizen	D21/690
D459,419	S	*	6/2002	Nishiyama et al.	D21/686
D507,312	S	*	7/2005	Nishiyama et al.	D21/690

D512,755 S * 12/2005 Nishiyama et al. D21/690

* cited by examiner

Primary Examiner—Philip S. Hyder

(74) *Attorney, Agent, or Firm*—Osha Liang LLP

(57) **CLAIM**

The ornamental design for an exercise device, as shown and described.

DESCRIPTION

FIG. 1 is a front, perspective view of the design according to the invention.

FIG. 2 is a rear, perspective view of the design according to the invention.

FIG. 3 is a top view of the design according to the invention. FIG. 4 is a bottom view of the design according to the invention.

FIG. 5 is a front view of the design according to the invention.

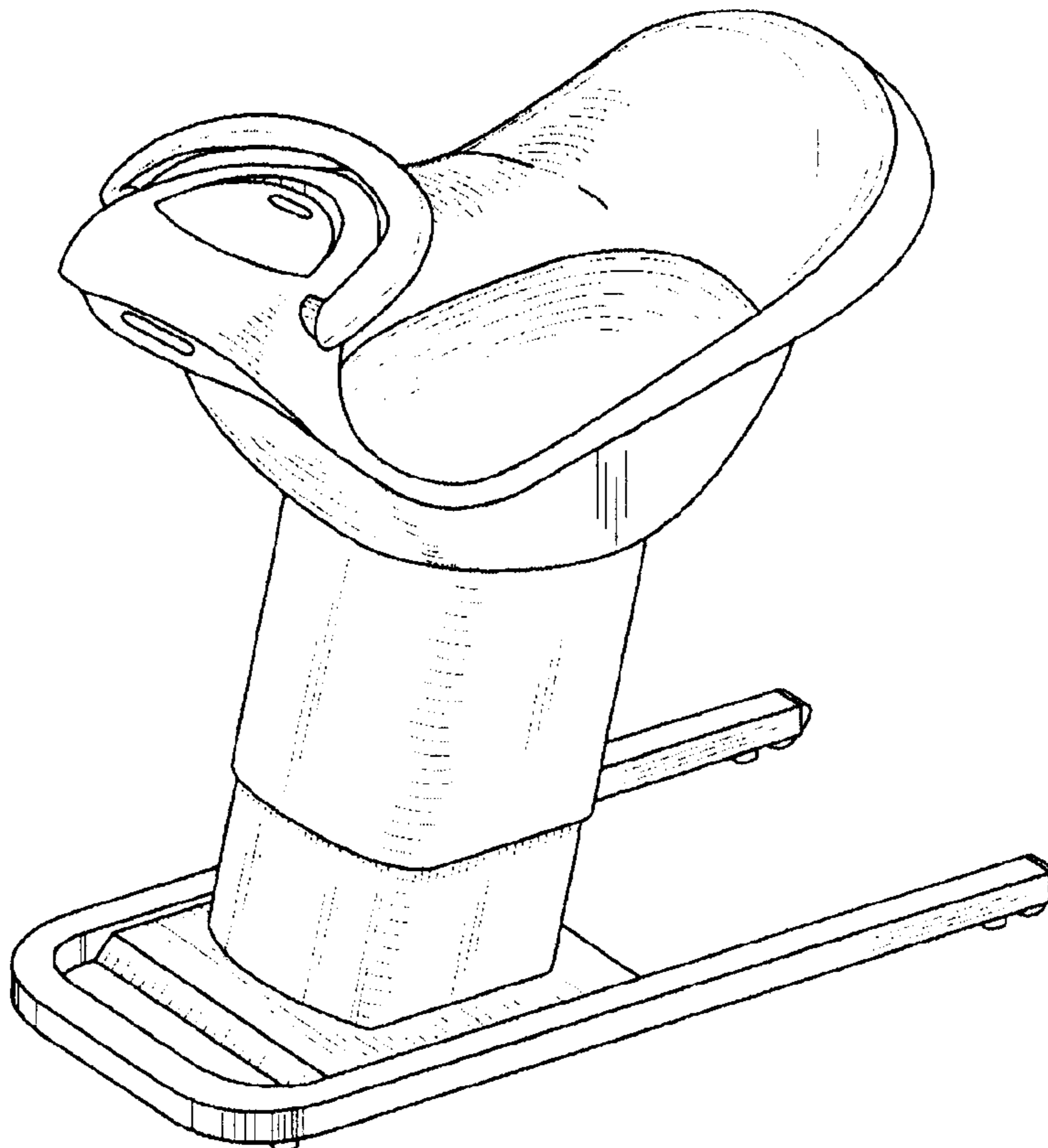
FIG. 6 is a rear view of the design according to the invention. FIG. 7 is a right side view of the design according to the invention.

FIG. 8 is a left side view of the design according to the invention; and,

FIG. 9 is a perspective view of the design with the handle in an alternate position.

The portions in even broken lines are for illustrative purposes only and form no part of the claimed design.

1 Claim, 4 Drawing Sheets



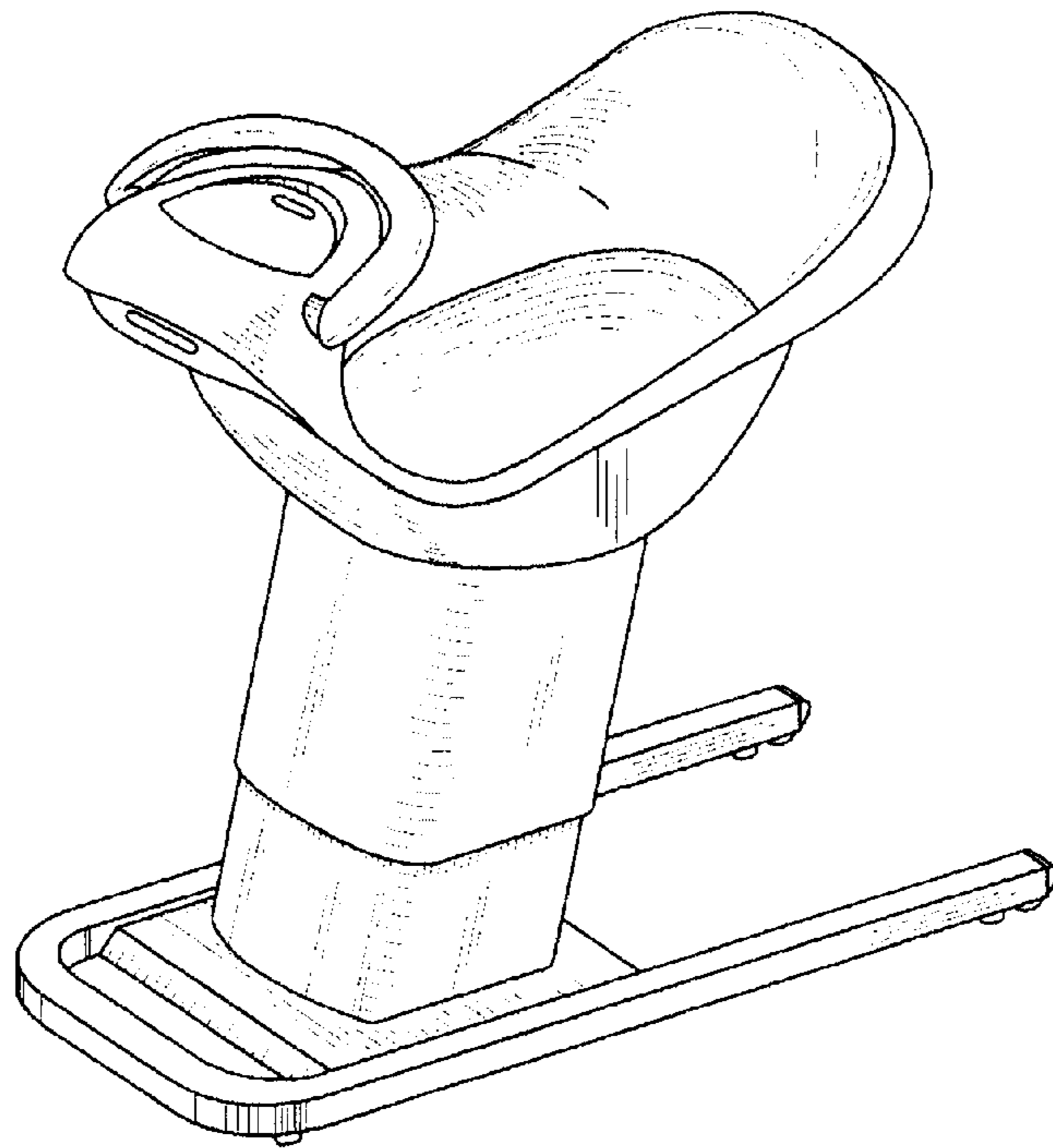


FIG. 1

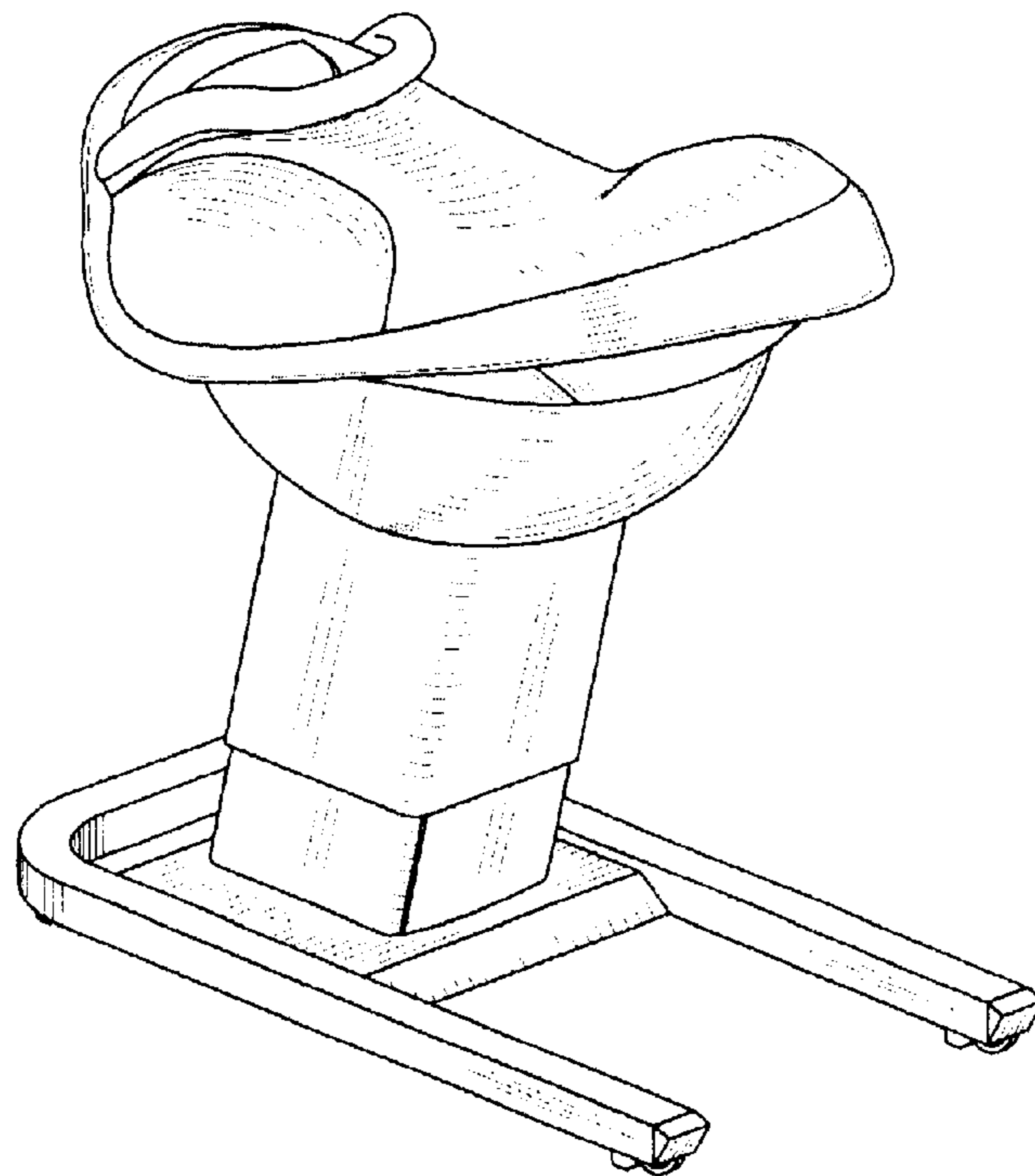


FIG. 2

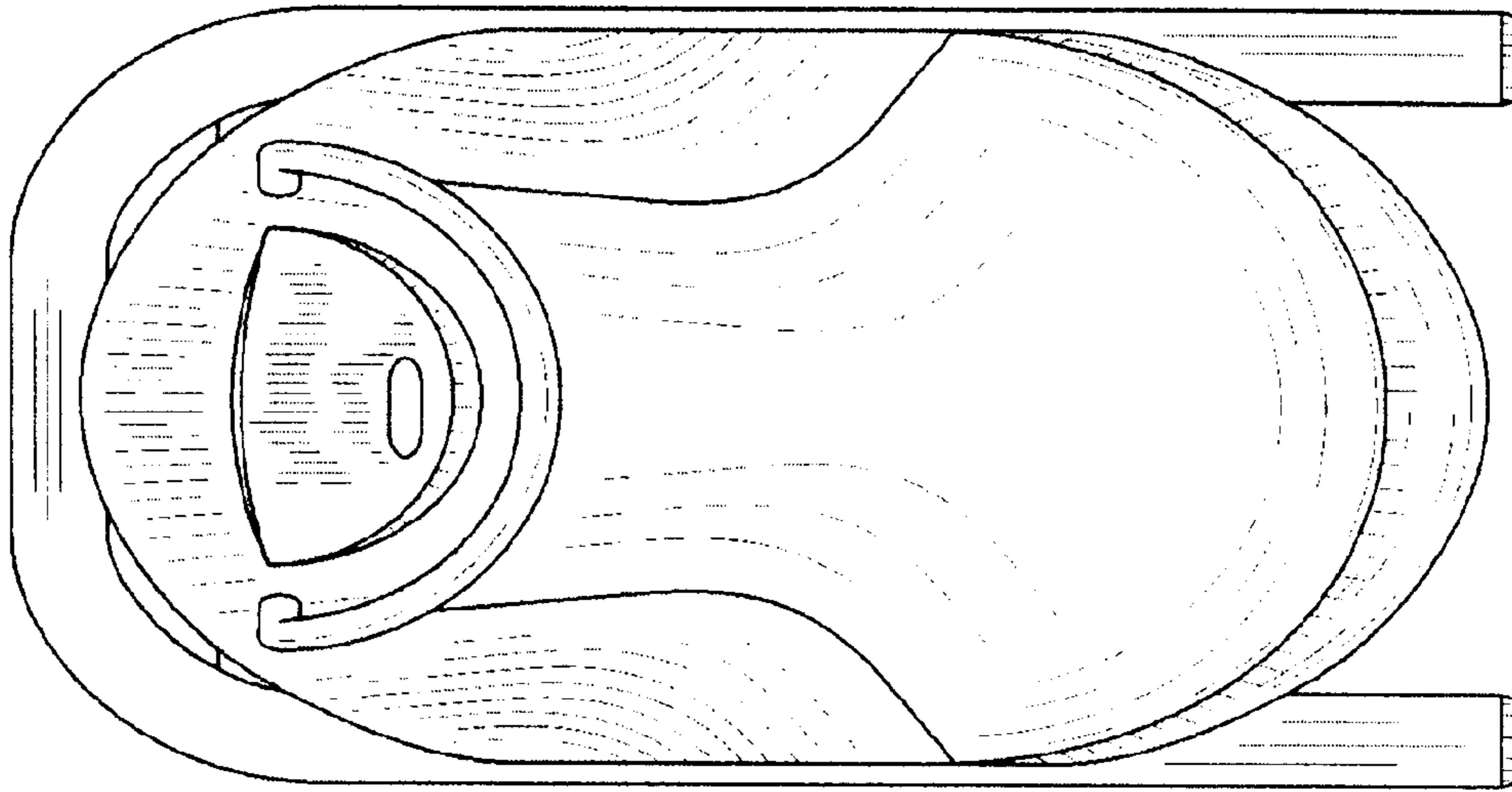


FIG. 3

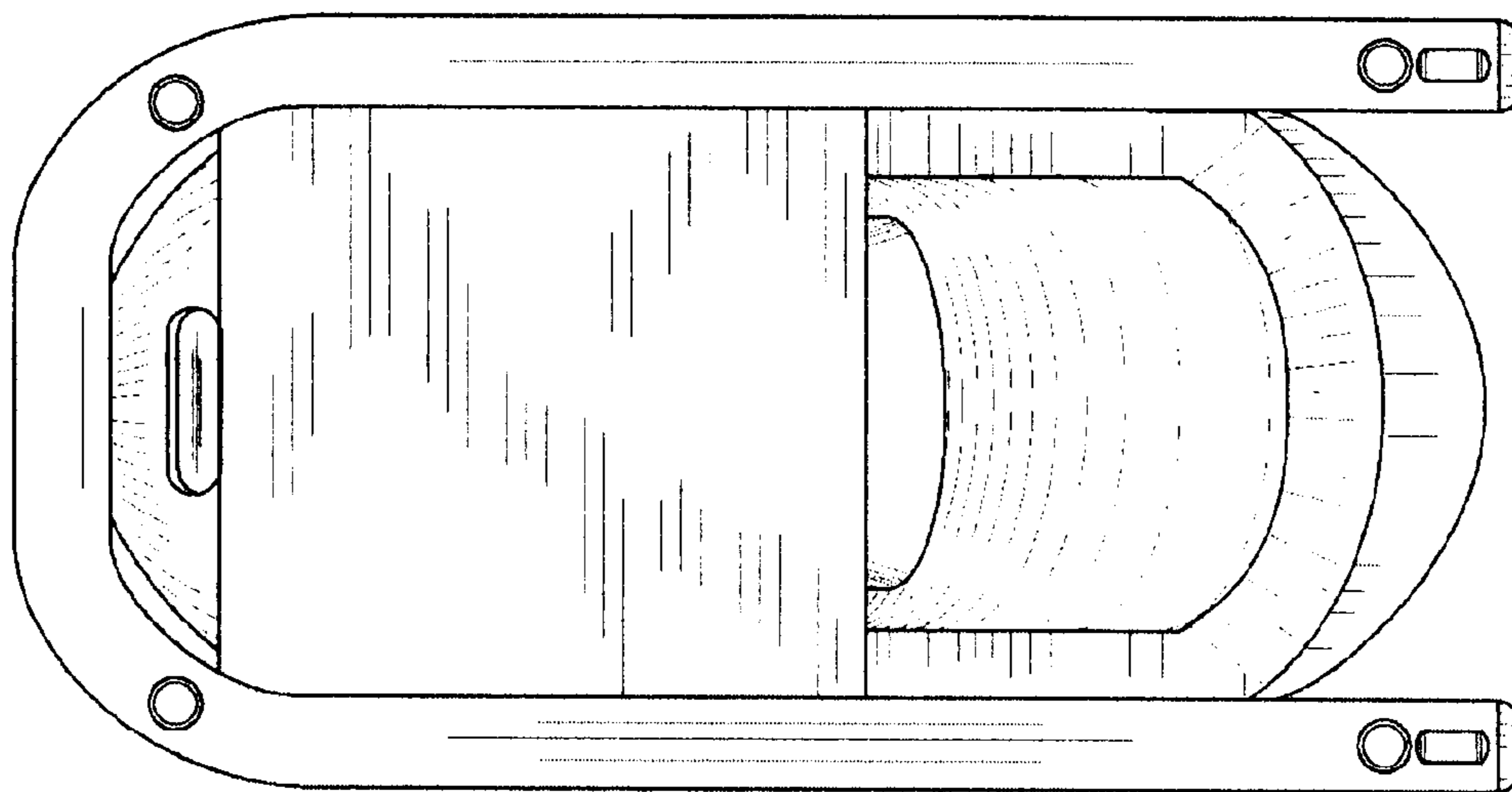


FIG. 4

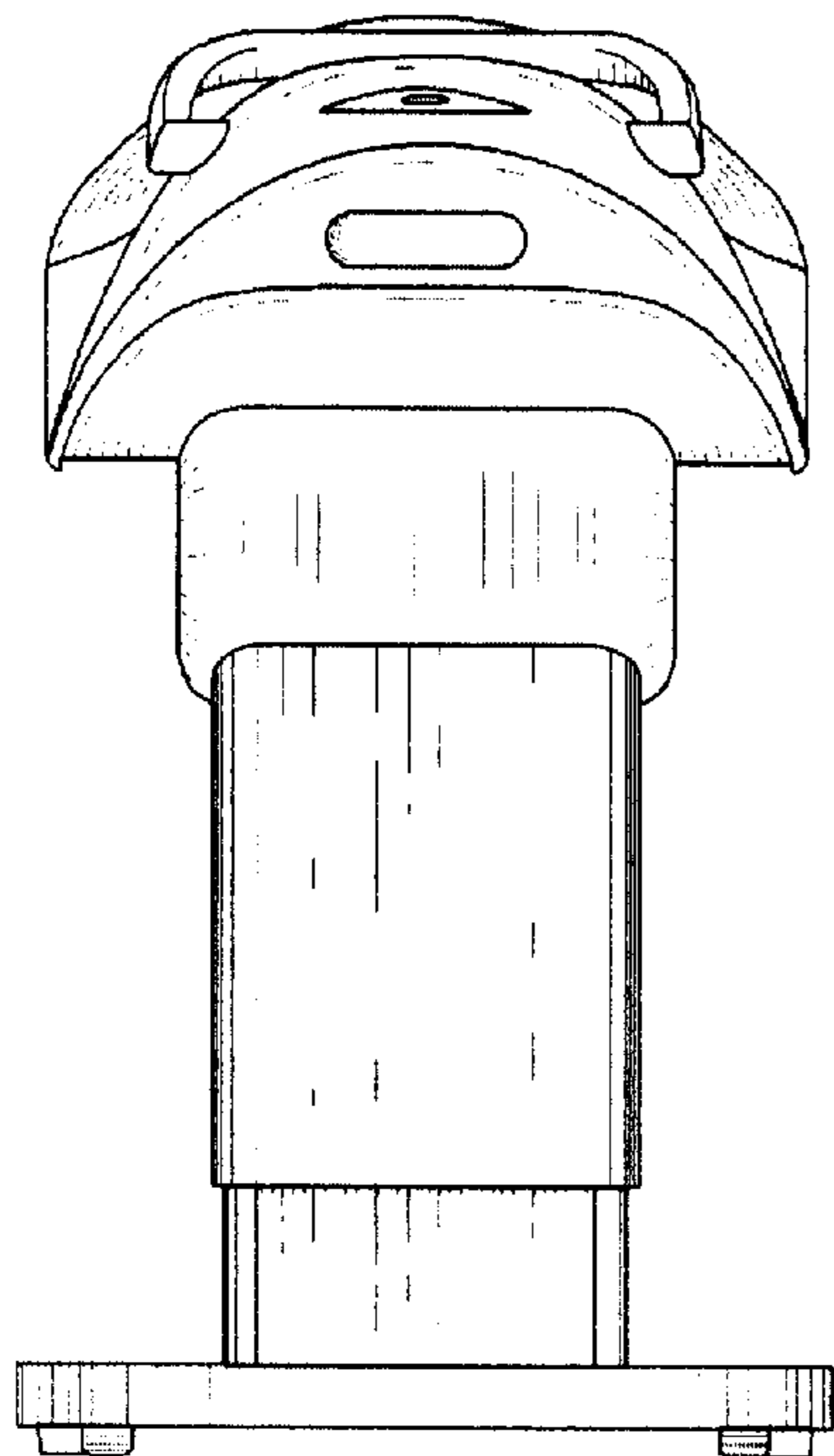


FIG. 5

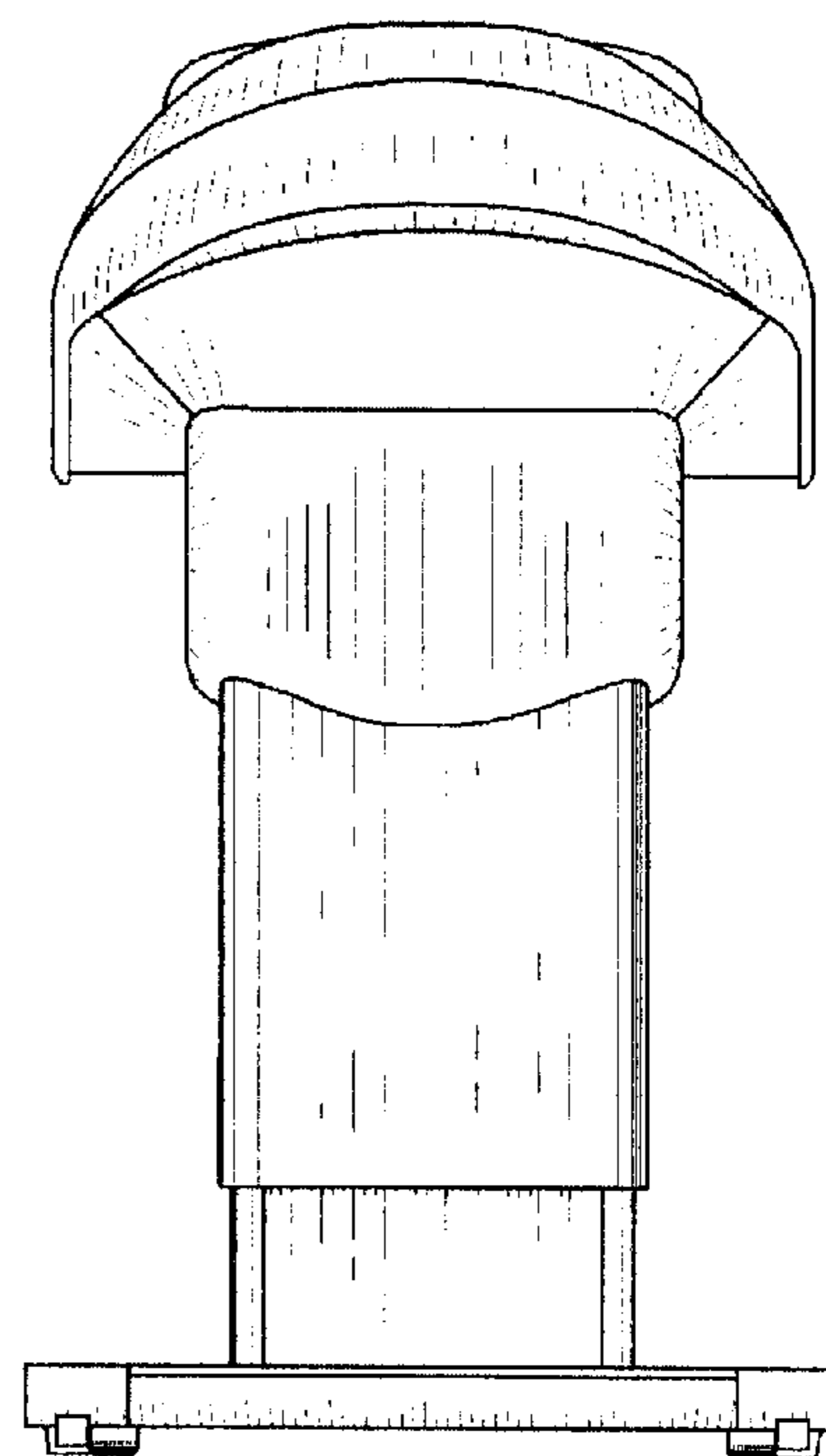


FIG. 6

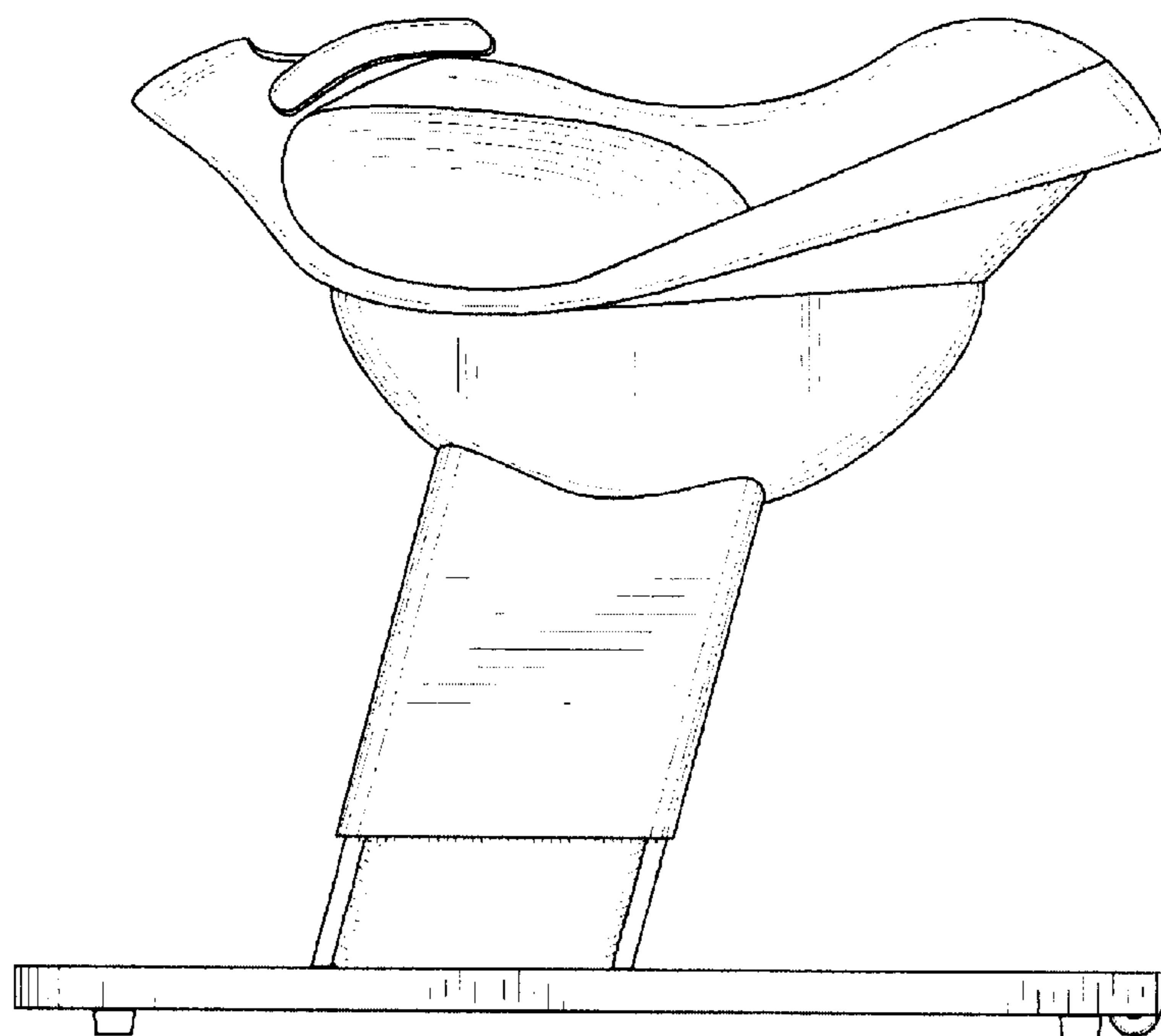


FIG. 7

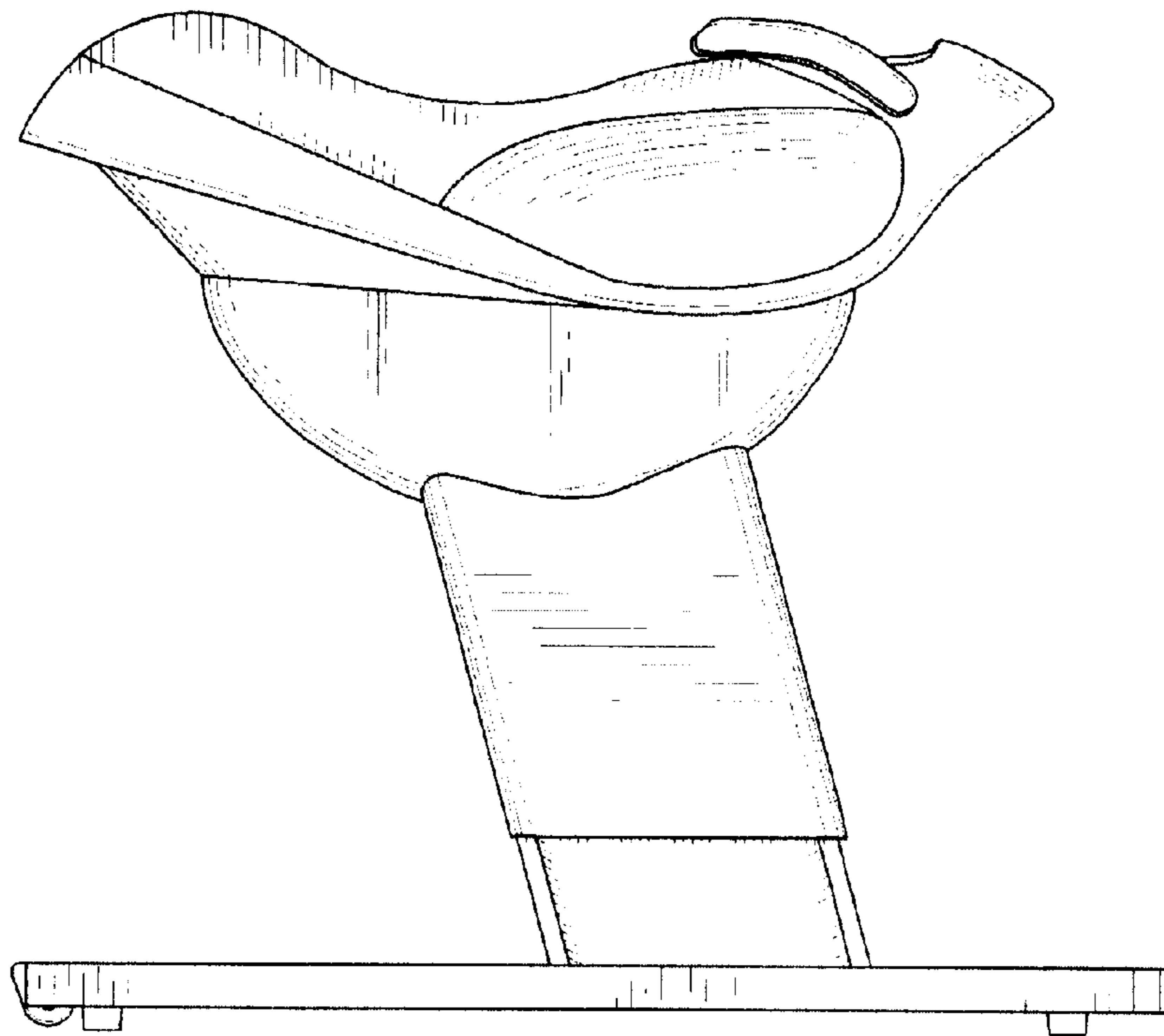


FIG. 8

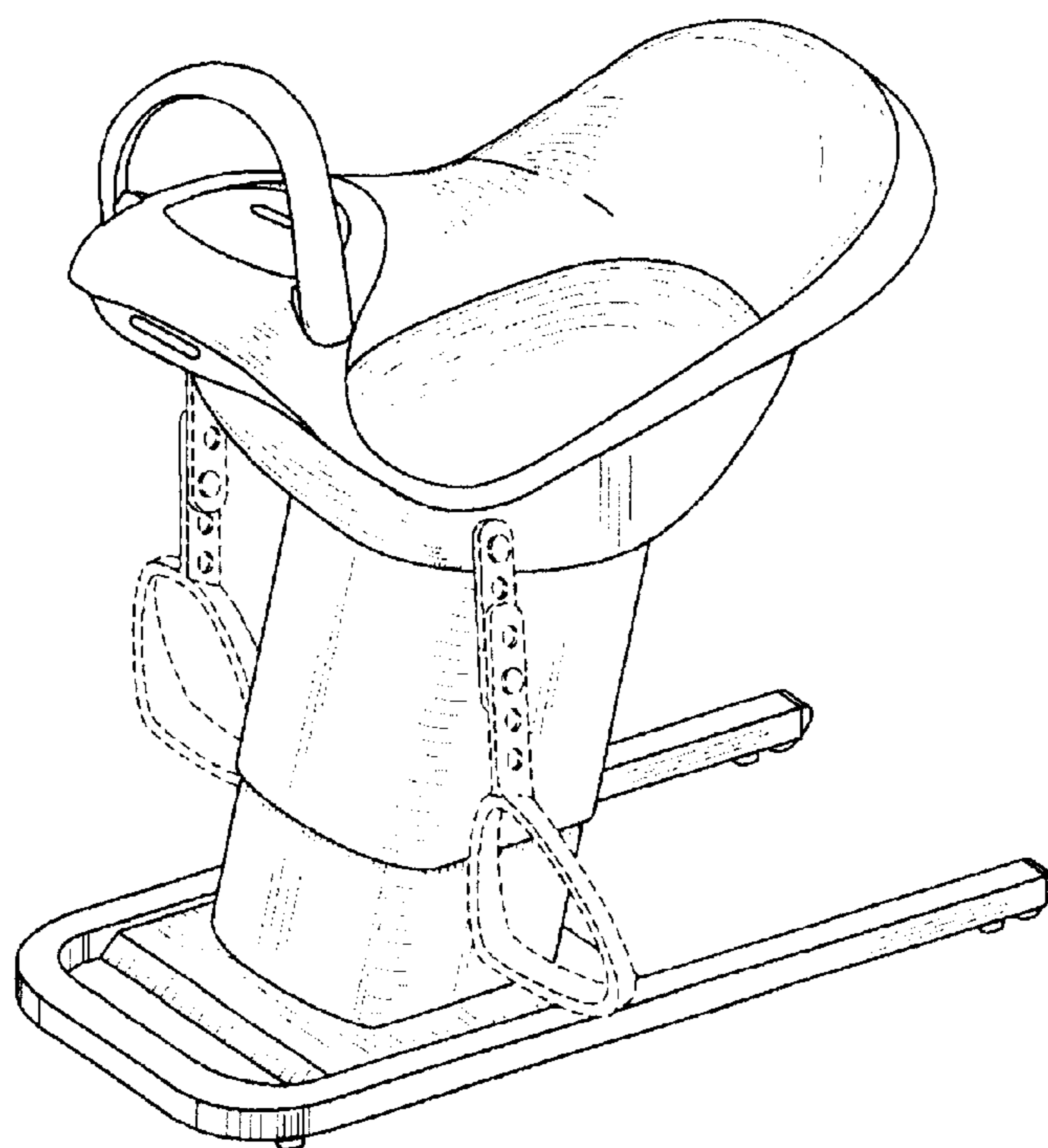


FIG. 9