



US00D532826S

(12) **United States Design Patent**
Gómez et al.

(10) **Patent No.:** **US D532,826 S**
(45) **Date of Patent:** **** Nov. 28, 2006**

(54) **GOLF BALL DISPENSING MACHINE**

(75) Inventors: **Oscar A. Serrano Gómez**, Seville (ES); **José Francisco Romero Lazo**, Marbella (ES)

(73) Assignees: **Duende Communication, S.L.**, Sevilla (ES); **Inter Golf Sports Events, S.L.**, Marbella (ES)

(**) Term: **14 Years**

4,359,631 A	*	11/1982	Lockwood et al.	235/381
D276,626 S	*	12/1984	Lockwood	D20/2
D333,681 S	*	3/1993	Stern	D20/7
D337,474 S	*	7/1993	Ferger	D7/301
D370,145 S	*	5/1996	Benjelloun	D6/513
D399,878 S	*	10/1998	Lin	D20/7
D420,706 S	*	2/2000	Weatherby et al.	D20/7
D432,580 S	*	10/2000	Schwarzli	D20/7
D434,077 S	*	11/2000	Schwarzli	D20/7
6,244,464 B1	*	6/2001	Goserud	221/155
D447,312 S	*	8/2001	Swaine	D99/28
D447,613 S	*	9/2001	Swaine	D99/28

(21) Appl. No.: **29/223,205**

(22) Filed: **Feb. 10, 2005**

(30) **Foreign Application Priority Data**

Aug. 11, 2004 (EM) 000213566-0003

(51) **LOC (8) Cl.** **20-01**

(52) **U.S. Cl.** **D20/3**

(58) **Field of Classification Search** D20/1,
D20/2, 3, 4, 5, 6, 7, 8, 9, 99; D7/301, 304,
D7/305, 307, 308, 312, 313, 398; D23/284;
194/239, 320, 342, 350, 351, 352, 906; 221/92,
221/96, 104, 151, 155, 191, 194; 239/28,
239/29; 700/232

See application file for complete search history.

(56) **References Cited**

U.S. PATENT DOCUMENTS

D224,161 S * 7/1972 McQuarrie D14/180

* cited by examiner

Primary Examiner—Robert M. Spear

(74) *Attorney, Agent, or Firm*—Lucas & Mercanti, LLP

(57) **CLAIM**

The ornamental design for a golf ball dispensing machine, as shown and described.

DESCRIPTION

FIG. 1 is a front perspective view of a golf ball dispensing machine showing my new design;

FIG. 2 is a rear perspective view thereof; and,

FIG. 3 is shows a side perspective view thereof.

The broken lines in the drawings represent unclaimed environmental subject matter.

1 Claim, 3 Drawing Sheets

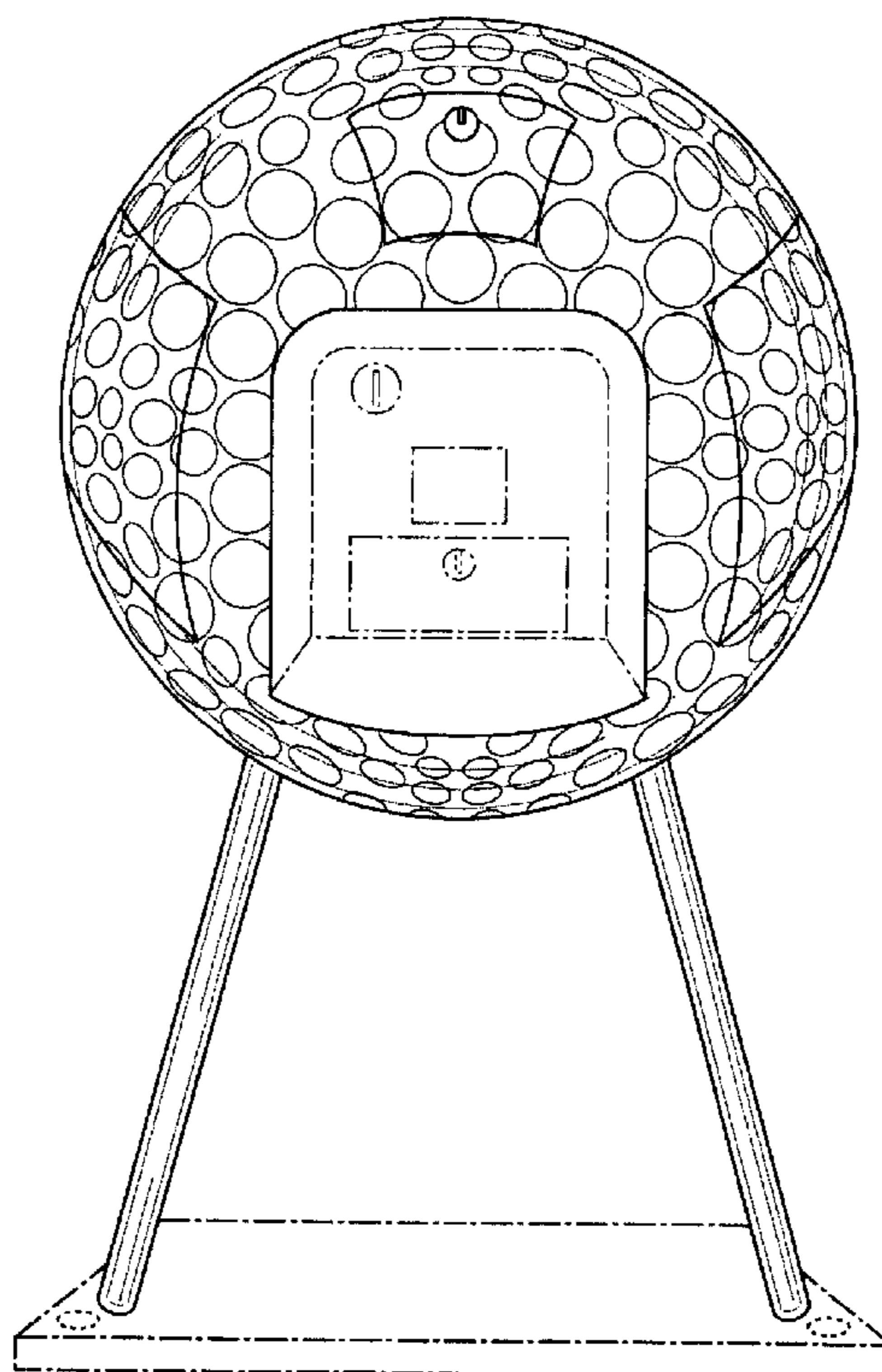
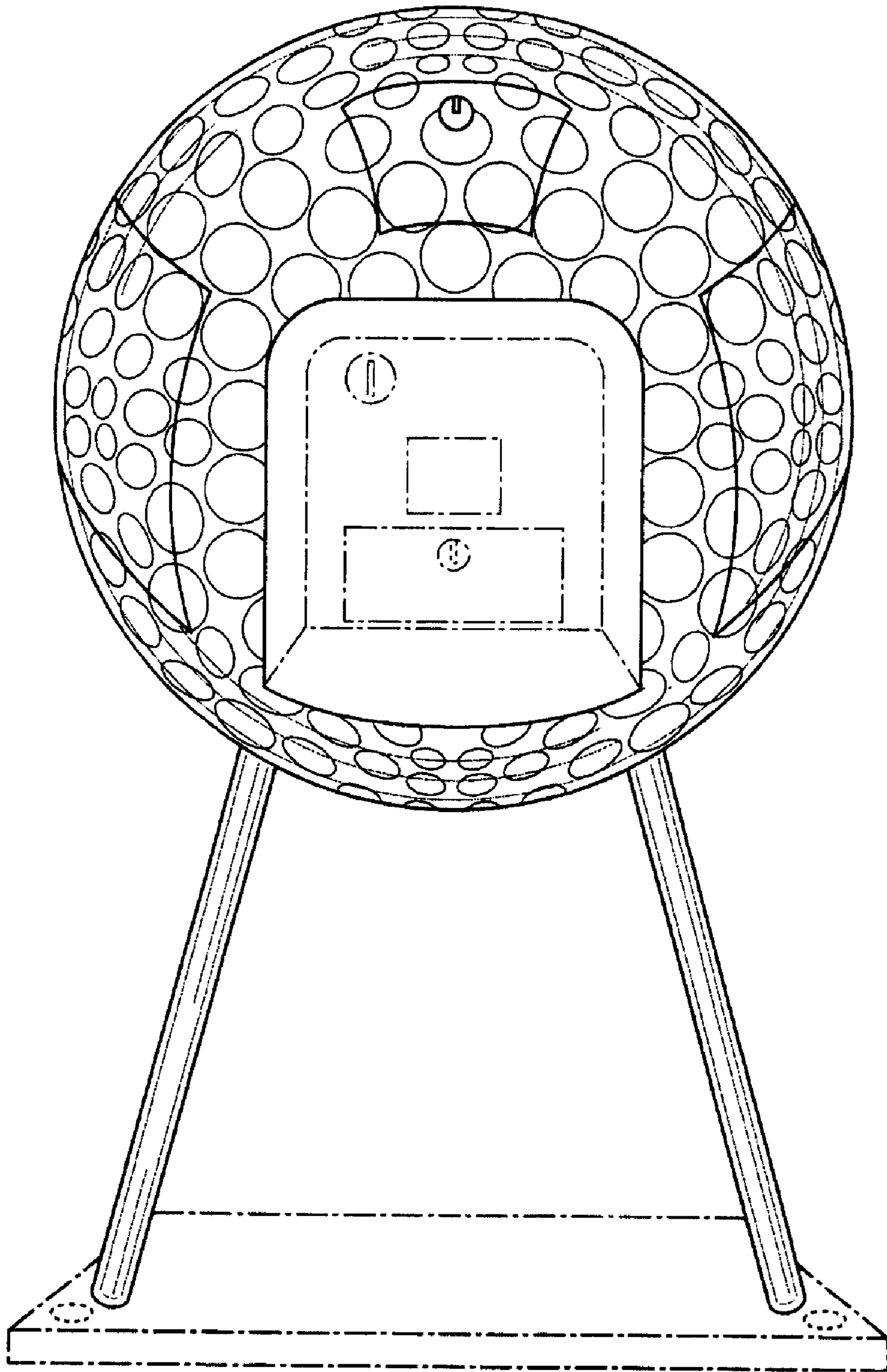


FIG. 1



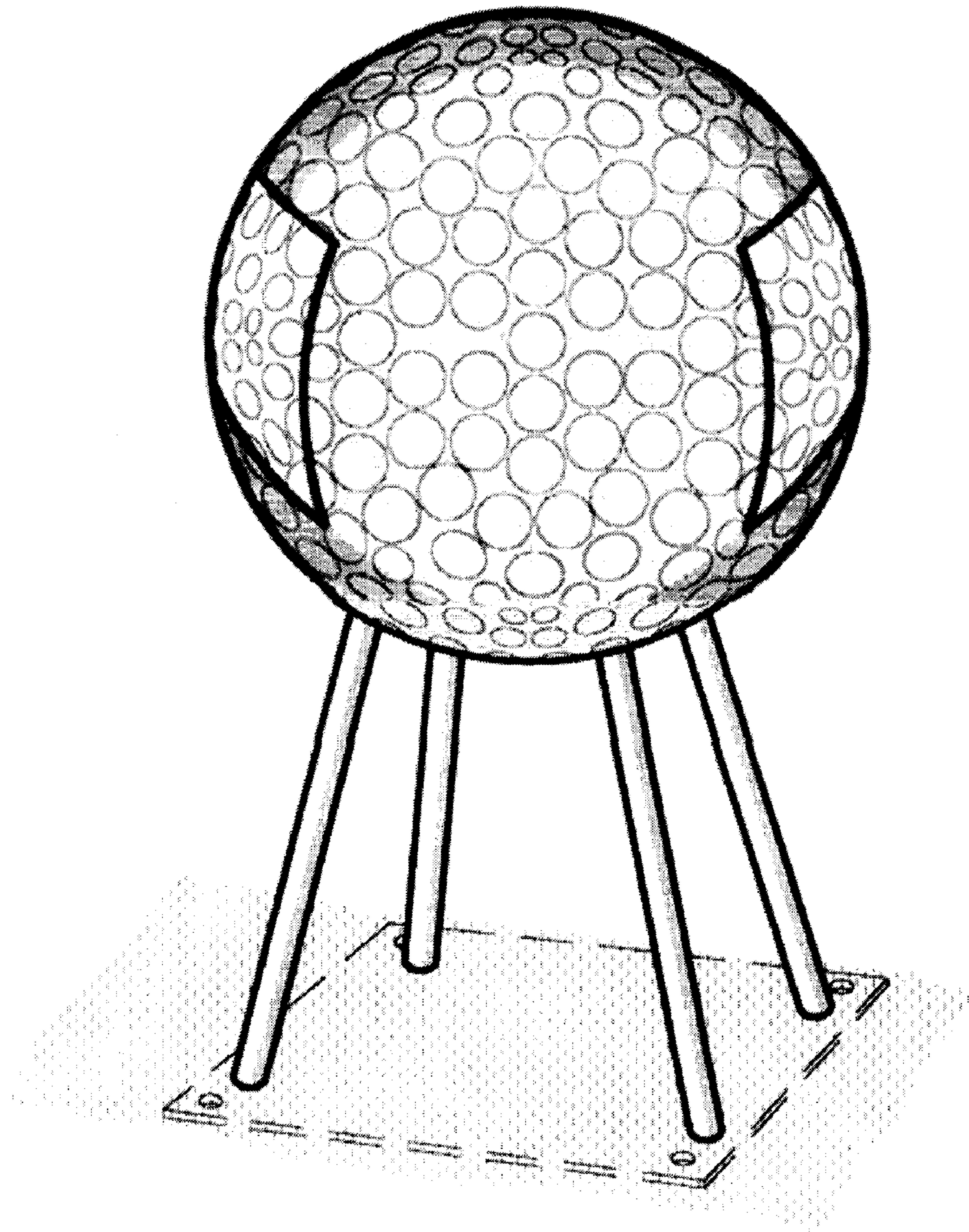


FIG. 2

FIG. 3

