



US00D532818S

(12) **United States Design Patent**
Senda et al.

(10) **Patent No.:** **US D532,818 S**

(45) **Date of Patent:** **** Nov. 28, 2006**

(54) **PRINTER**

(75) Inventors: **Haruki Senda**, Nagano-ken (JP);
Makoto Kobayashi, Nagano-ken (JP);
Ikuo Masujima, Nagano-ken (JP);
Kenichi Kimura, Nagano-ken (JP)

(73) Assignee: **Seiko Epson Corporation**, Tokyo (JP)

(**) Term: **14 Years**

(21) Appl. No.: **29/227,666**

(22) Filed: **Apr. 13, 2005**

(30) **Foreign Application Priority Data**

Oct. 15, 2004 (JP) 2004-031480
Oct. 15, 2004 (JP) 2004-031488

(51) **LOC (8) Cl.** **14-02**

(52) **U.S. Cl.** **D18/55**

(58) **Field of Classification Search** D18/36-39,
D18/51, 53-54, 54.1, 55; D14/420-425,
D14/462-470, 426-427; 399/107; 400/613,
400/613.1-613.4, 691.1-691.4, 691-694
See application file for complete search history.

(56) **References Cited**

U.S. PATENT DOCUMENTS

D329,250 S * 9/1992 Matsumoto D18/55
D384,370 S * 9/1997 Kobayashi D18/55
D415,787 S * 10/1999 Clark, III et al. D18/36
D425,551 S * 5/2000 Shiozaki et al. D18/53
D433,439 S * 11/2000 Yoshida et al. D18/36

D443,887 S * 6/2001 Ogawa et al. D18/39
D447,765 S * 9/2001 Hatanaka et al. D18/39
D447,768 S * 9/2001 Shiozaki et al. D18/53
D451,123 S * 11/2001 Isogai et al. D18/36
D458,297 S * 6/2002 Laidlaw et al. D18/36
D458,298 S * 6/2002 Katsuyama et al. D18/36
D459,752 S * 7/2002 Shiozaki D18/36
D466,148 S * 11/2002 Yang D18/36
D473,587 S * 4/2003 Agata et al. D18/39
D493,817 S * 8/2004 Yoshida et al. D18/39
D494,211 S * 8/2004 Yoshida et al. D18/39
D502,500 S * 3/2005 Hoshiya et al. D18/50
2005/0095032 A1 * 5/2005 Murano et al. 399/107

* cited by examiner

Primary Examiner—Cathy Anne MacCormac

(74) *Attorney, Agent, or Firm*—Stroock & Stroock & Lavan
LLP

(57) **CLAIM**

The ornamental design for a printer, as shown and described.

DESCRIPTION

FIG. 1 is a perspective view of a printer showing our new design;
FIG. 2 is another perspective view thereof;
FIG. 3 is a front view thereof;
FIG. 4 is a rear view thereof;
FIG. 5 is a top plan view thereof;
FIG. 6 is a bottom plan view thereof;
FIG. 7 is a right side elevational view thereof; and,
FIG. 8 is a left side elevational view thereof.

1 Claim, 8 Drawing Sheets

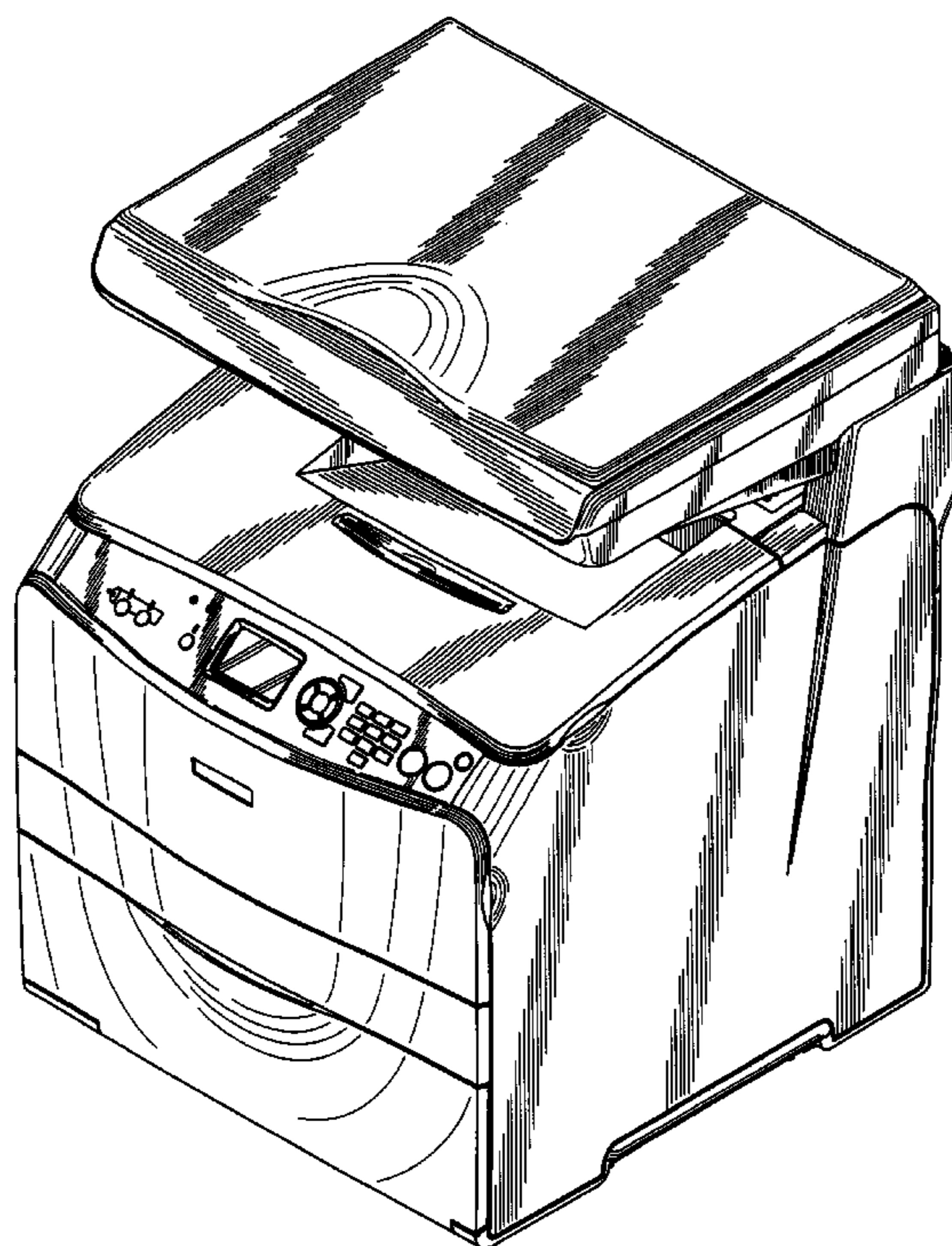


FIG. 1

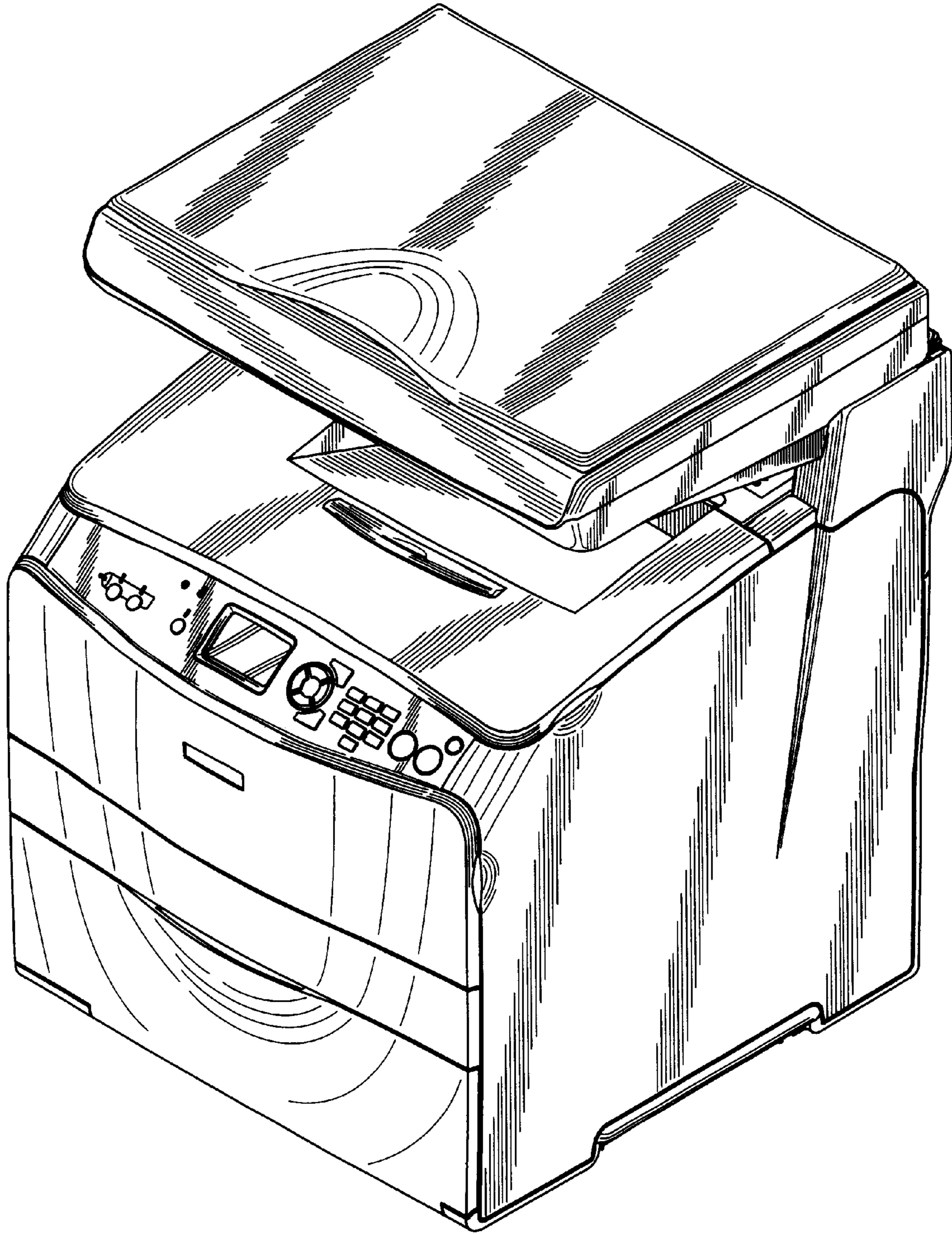


FIG. 2

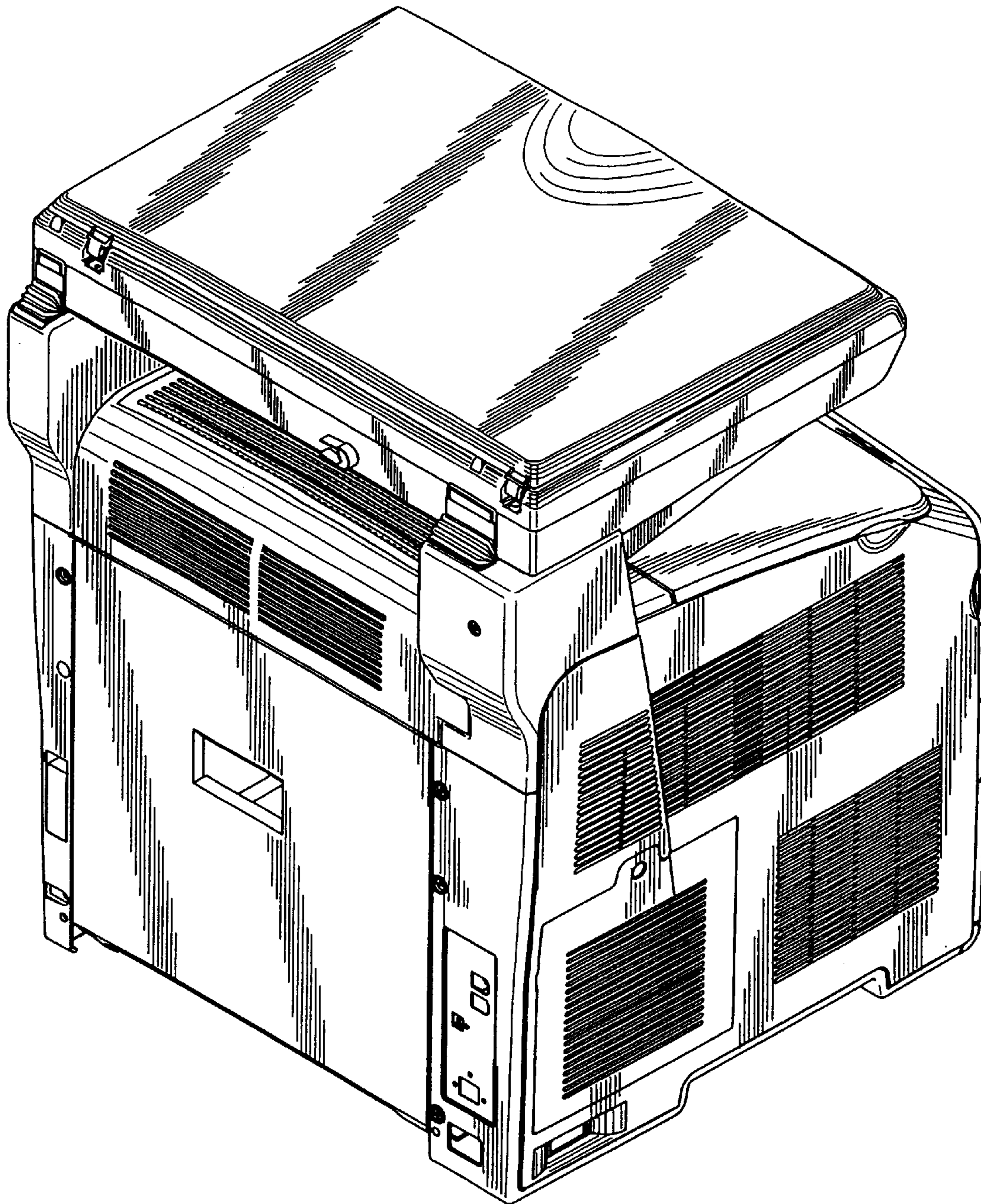


FIG. 3

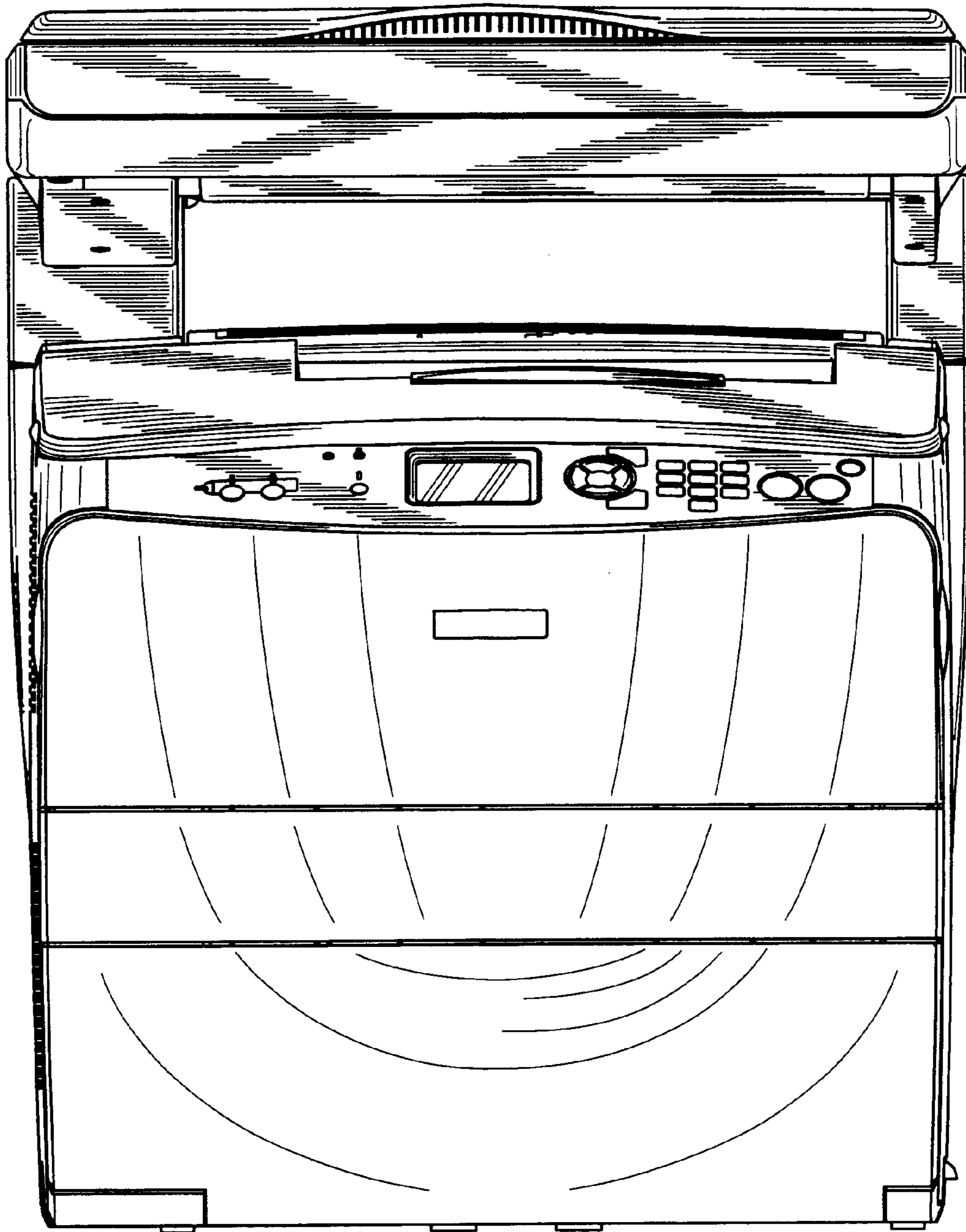


FIG. 4

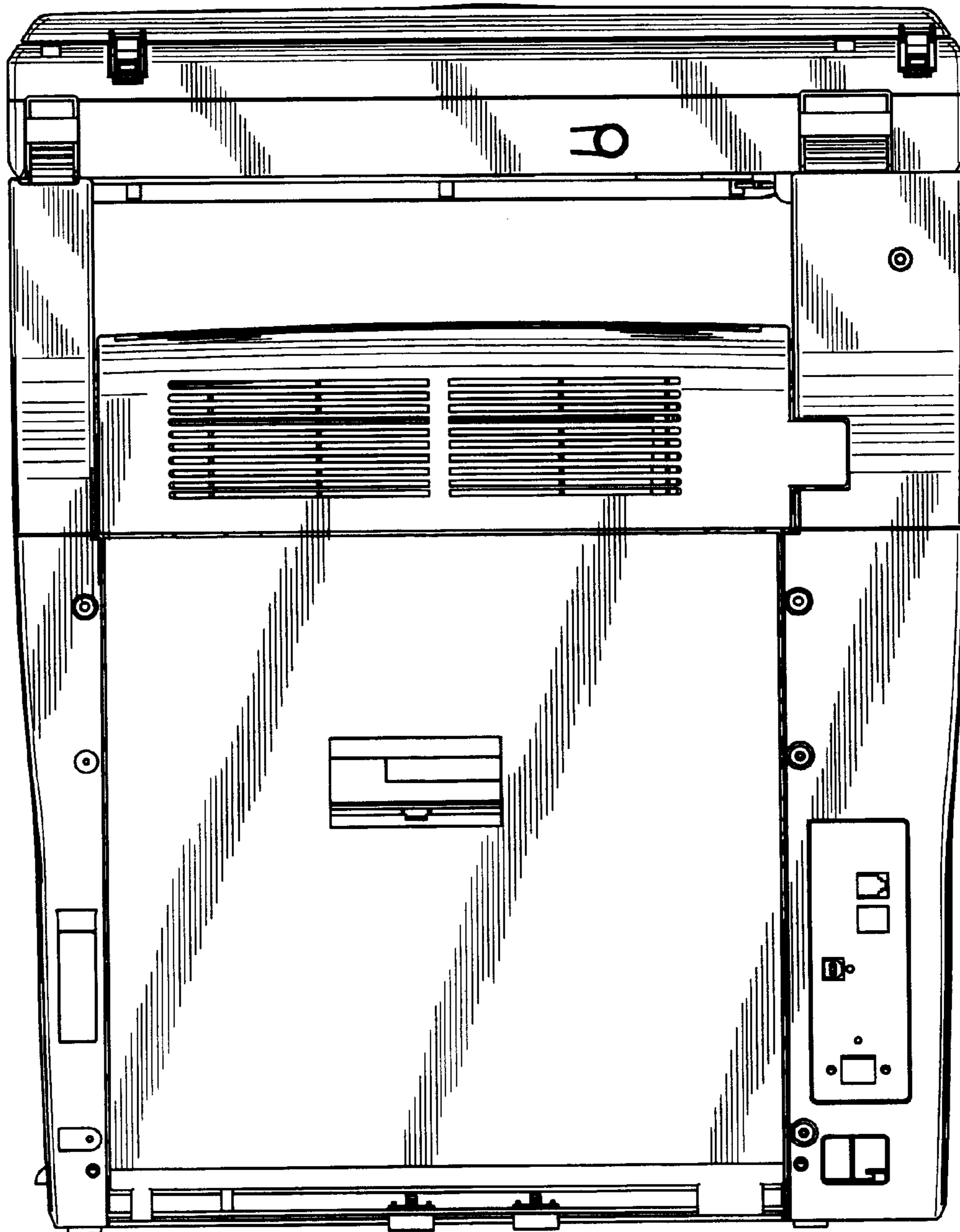


FIG. 5

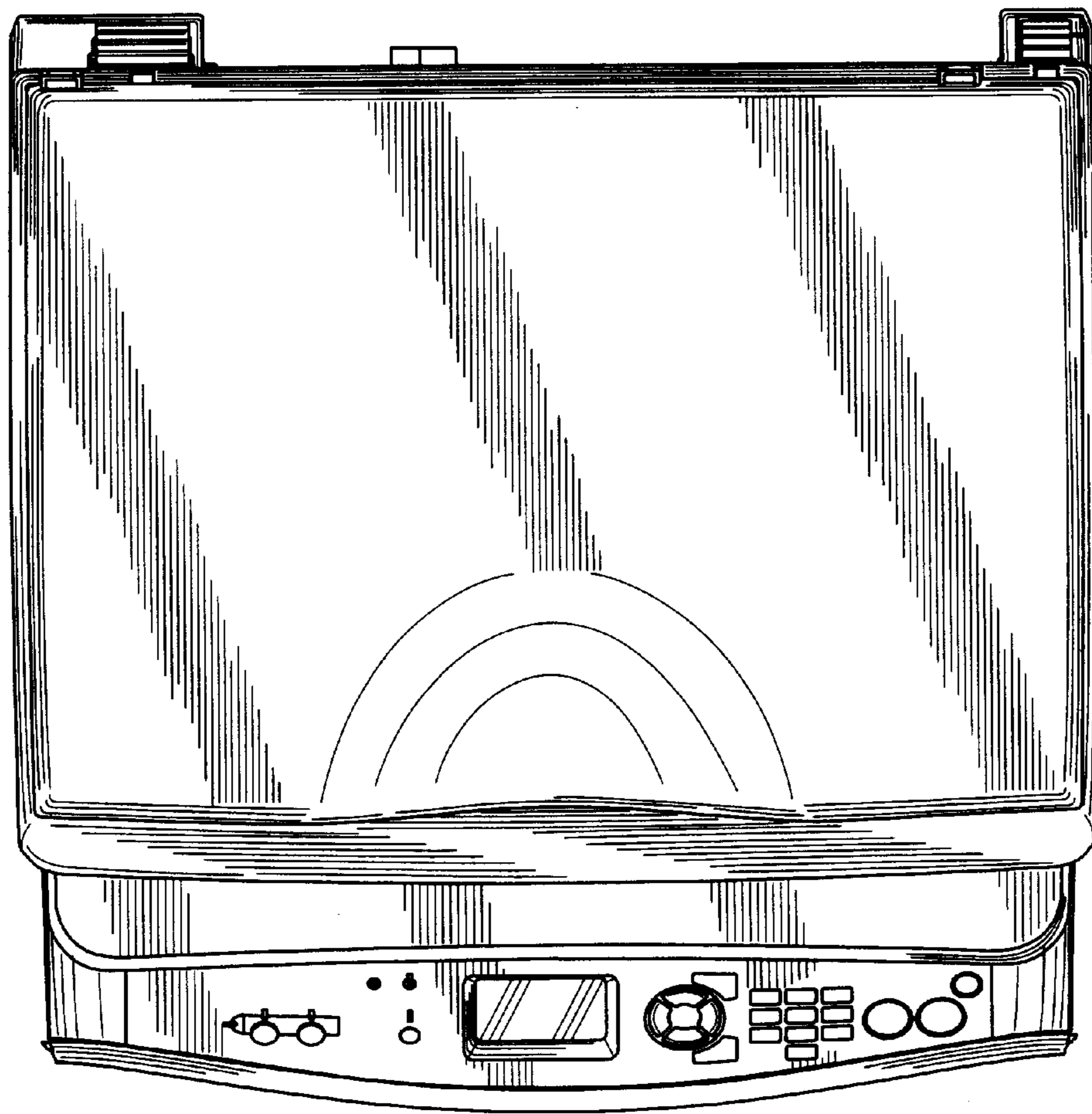


FIG. 6

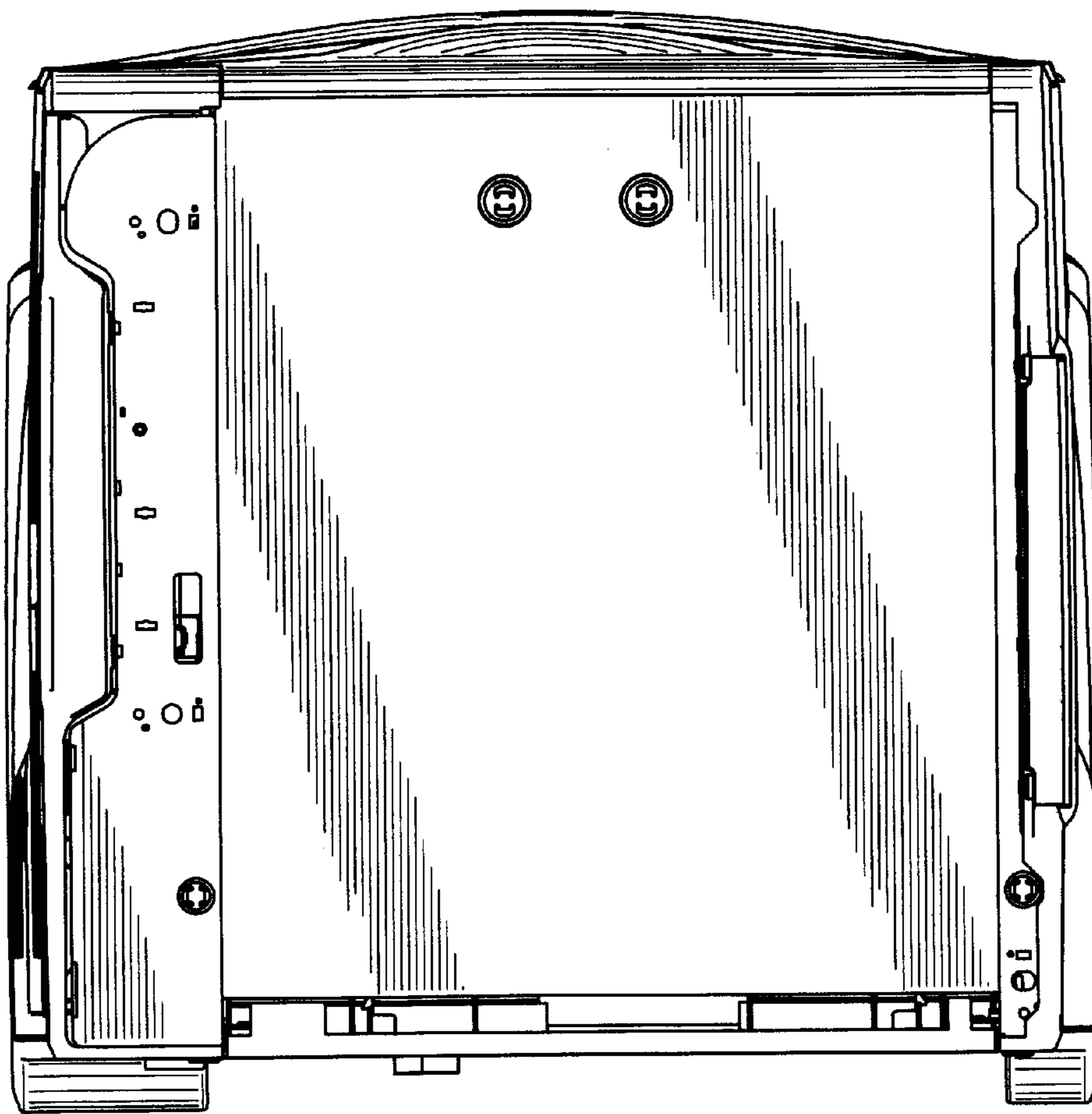


FIG. 7

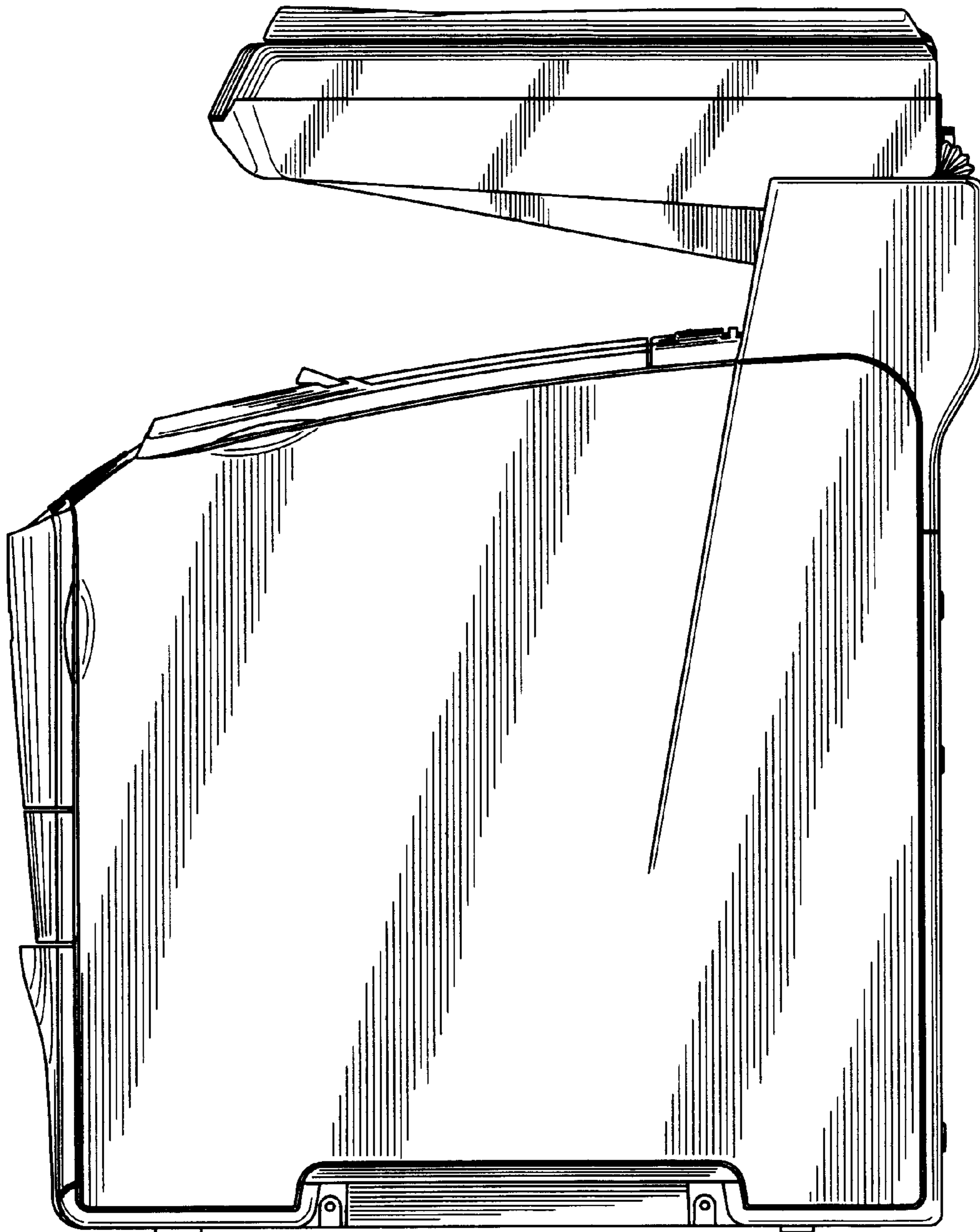


FIG. 8

