



US00D532816S

(12) **United States Design Patent**
Smith et al.

(10) **Patent No.:** **US D532,816 S**

(45) **Date of Patent:** **** Nov. 28, 2006**

(54) **PHOTO PRINTER**

(75) Inventors: **Michael Smith**, Austin, TX (US); **Greg Holderfield**, Oak Park, IL (US)

(73) Assignee: **Dell Products L.P.**, Round Rock, TX (US)

(**) Term: **14 Years**

(21) Appl. No.: **29/232,064**

(22) Filed: **Jun. 14, 2005**

(51) **LOC (8) Cl.** **14-02**

(52) **U.S. Cl.** **D18/50**

(58) **Field of Classification Search** D18/36-39,
D18/53-54, 54.1, 55; D14/420-425, 462-470;
399/107; 400/613, 613.1-613.4, 691-694;
D16/246-248, 237

See application file for complete search history.

(56) **References Cited**

U.S. PATENT DOCUMENTS

- D280,900 S * 10/1985 Tsumura et al. D18/54
- D343,858 S * 2/1994 Tashiro et al. D18/55
- D379,827 S * 6/1997 Andre D18/54
- D434,067 S * 11/2000 Chen D18/36
- D448,796 S * 10/2001 Clark et al. D18/55
- D450,754 S * 11/2001 Tatara et al. D18/50

- D453,159 S * 1/2002 Nakamura D14/422
- D466,917 S * 12/2002 Liu D18/36
- D476,029 S * 6/2003 Lee et al. D18/55
- D499,759 S 12/2004 Kobayashi et al. D18/55
- D505,447 S 5/2005 Wong et al. D18/50
- D508,713 S 8/2005 Fetherolf et al. D18/55
- D509,831 S 9/2005 Mitani et al. D14/486
- D509,845 S 9/2005 Miyauchi et al. D18/50
- 2006/0024114 A1 * 2/2006 Lyman et al. 400/613

* cited by examiner

Primary Examiner—Cathy Anne MacCormac

(74) *Attorney, Agent, or Firm*—Hamilton & Terrile, LLP; Stephen A. Terrile

(57) **CLAIM**

The ornamental design for a photo printer, as shown.

DESCRIPTION

FIG. 1 is a front perspective view of the photo printer comprising the present invention;

FIG. 2 is a front elevation view thereof;

FIG. 3 is a right side elevation view thereof;

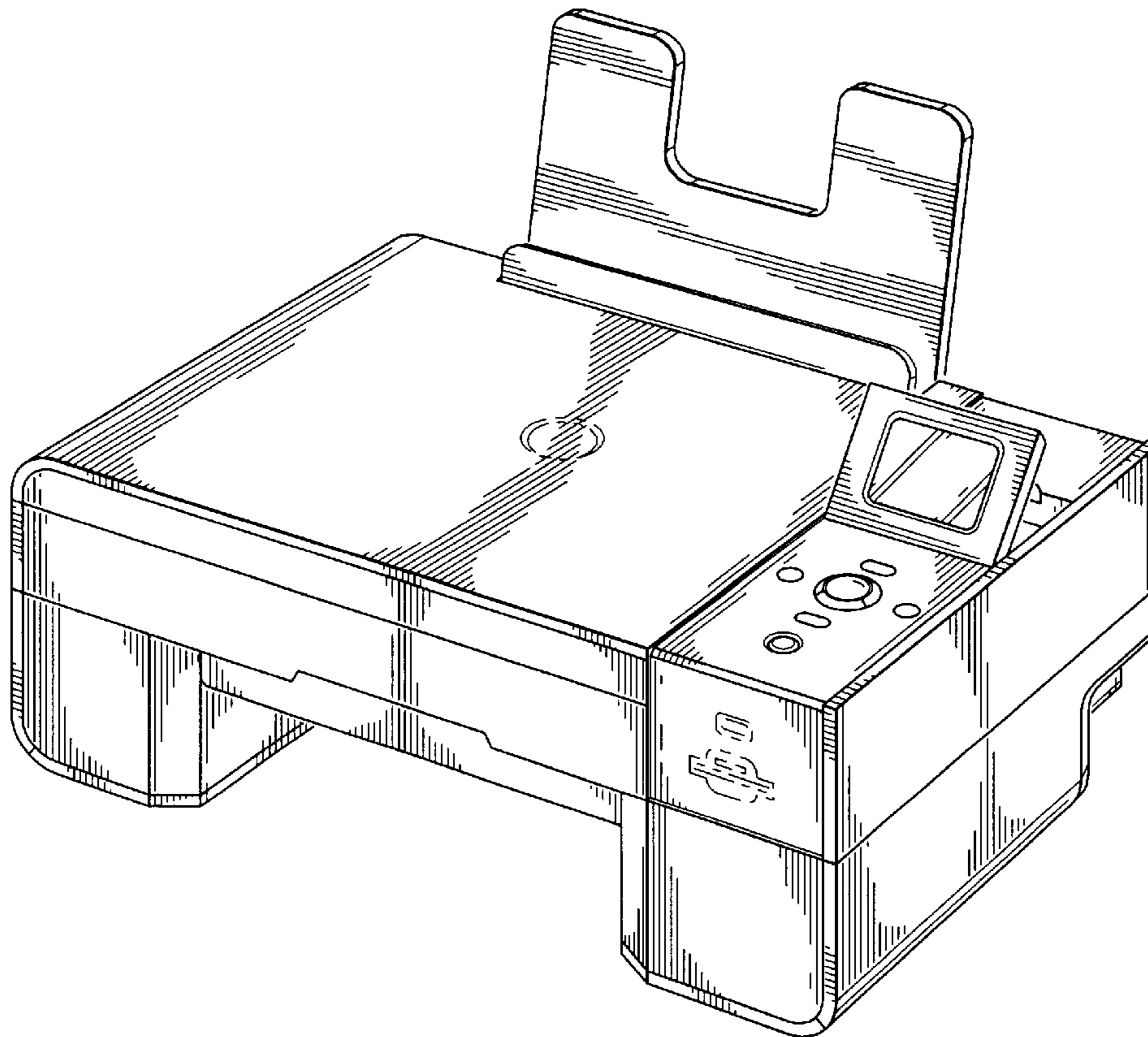
FIG. 4 is a left side elevation view thereof;

FIG. 5 is a back elevation view thereof; and,

FIG. 6 is a top plan view thereof.

The broken lines are for illustrative purposes only and form no part of the claimed design.

1 Claim, 3 Drawing Sheets



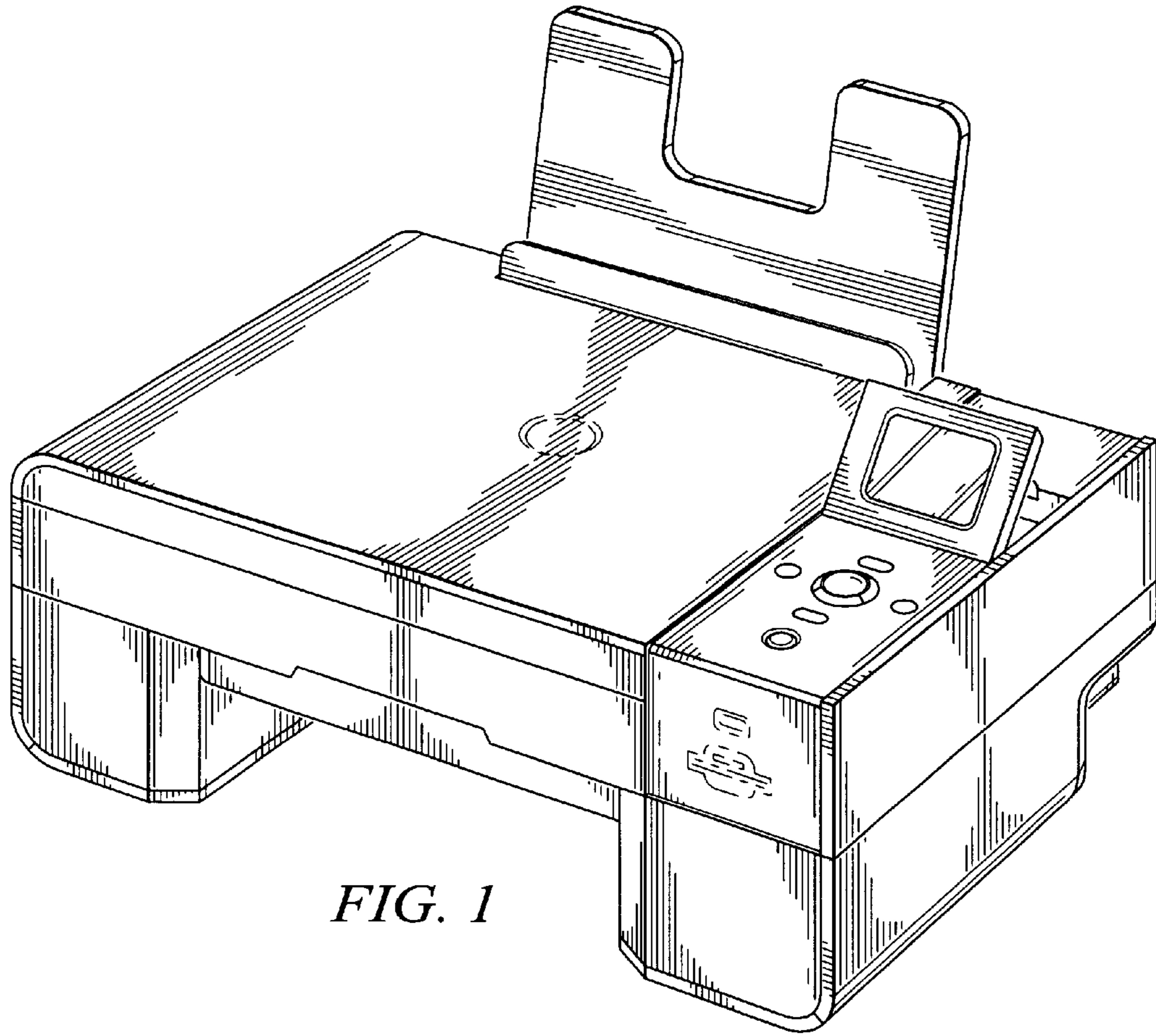


FIG. 1

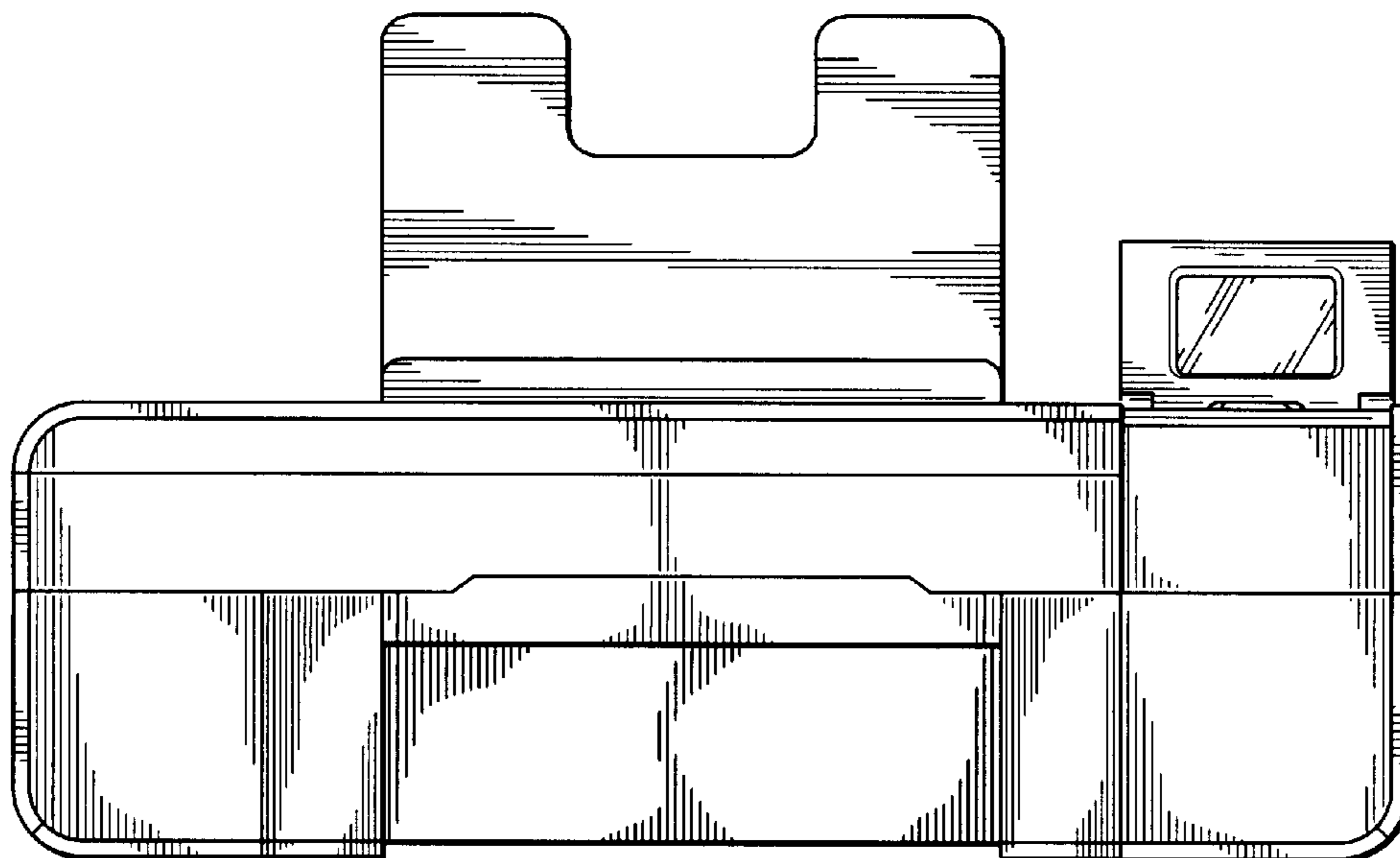


FIG. 2

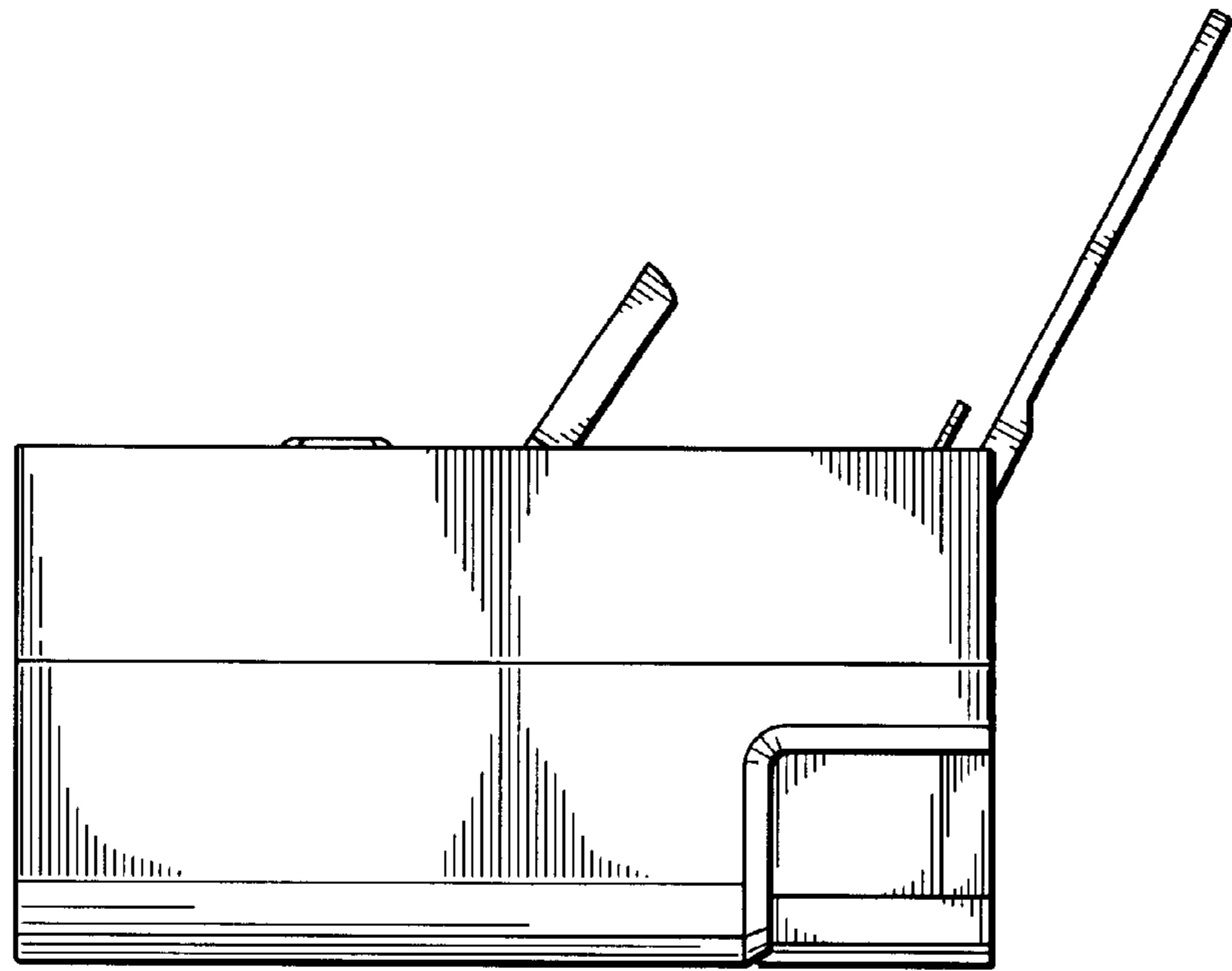


FIG. 3

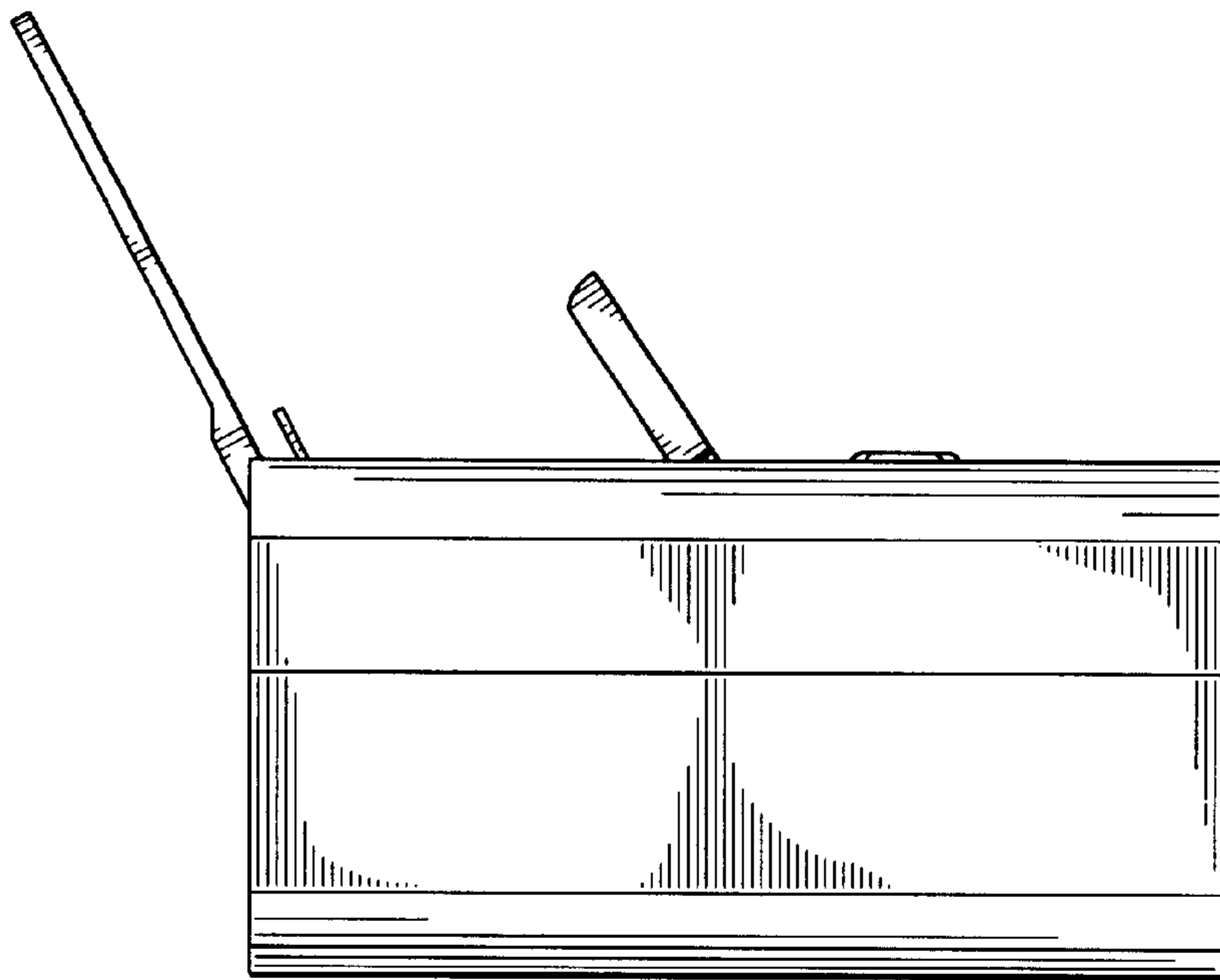


FIG. 4

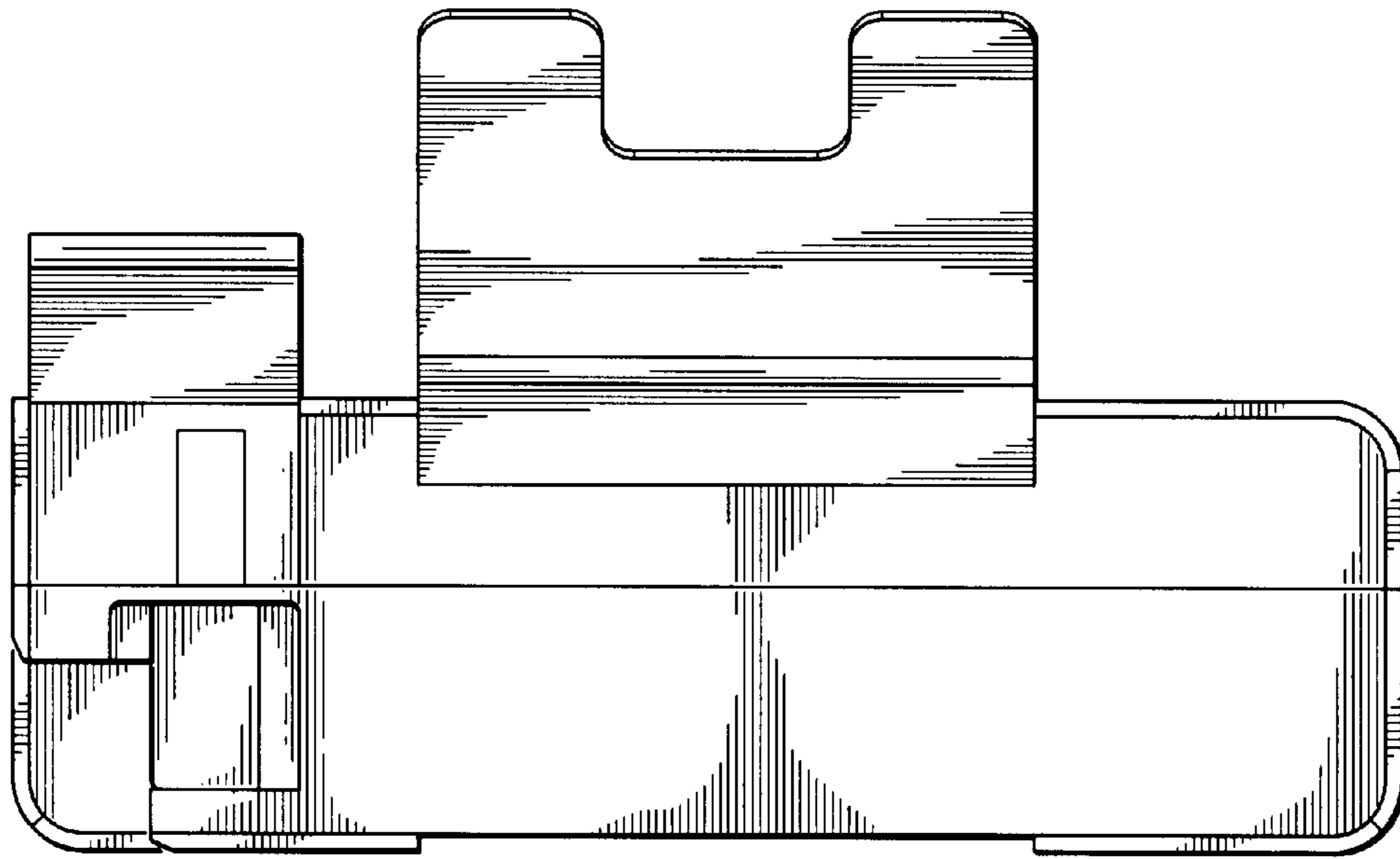


FIG. 5

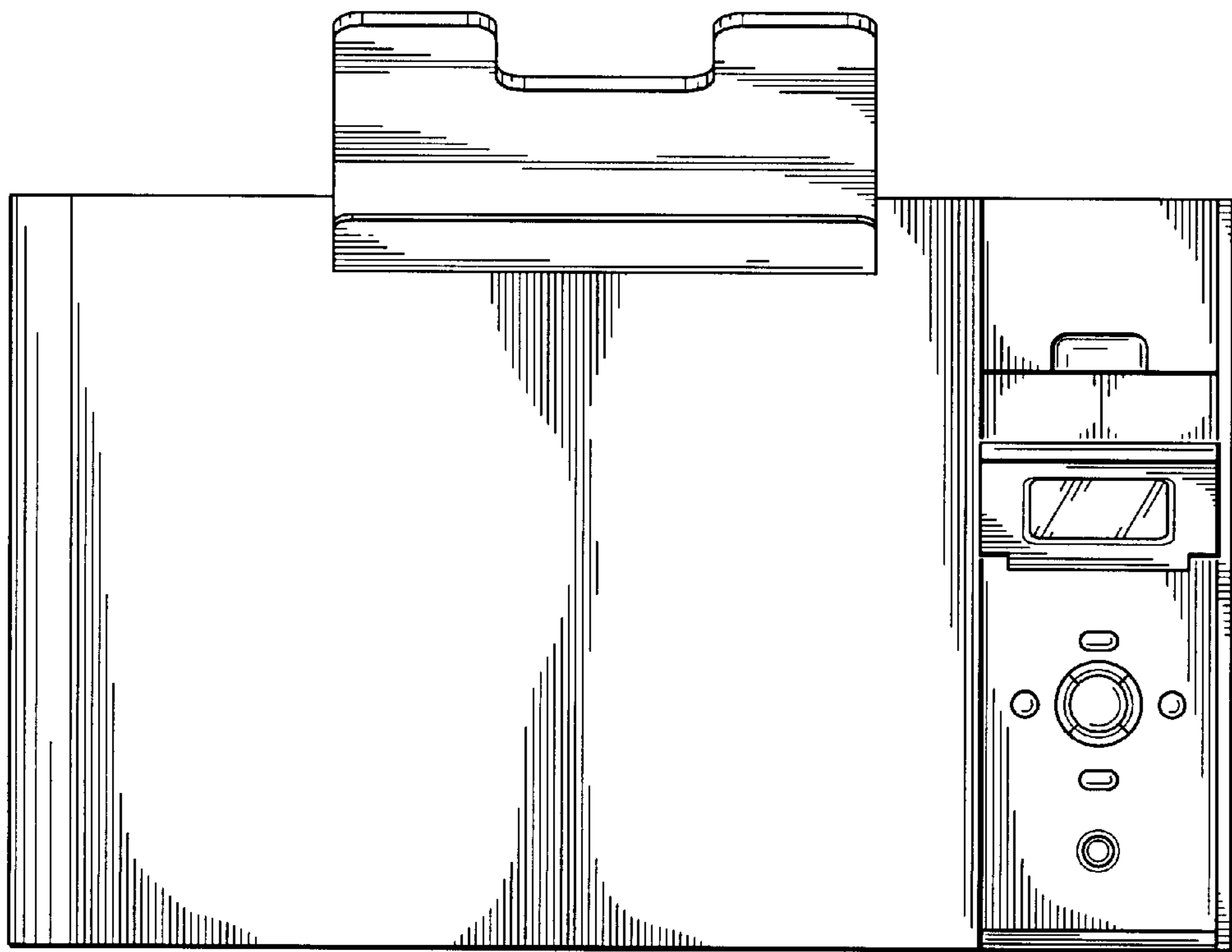


FIG. 6