

US00D532813S

(12) **United States Design Patent**
Speggiorin

(10) **Patent No.:** **US D532,813 S**

(45) **Date of Patent:** **** Nov. 28, 2006**

(54) **SUPPORT HEAD FOR OPTICAL AND PHOTOGRAPHIC EQUIPMENTS**

D349,916 S 8/1994 Chen
D515,614 S 2/2006 Speggiorin

(75) Inventor: **Paolo Speggiorin**, Mussolente (IT)

* cited by examiner

(73) Assignee: **Lino Manfrotto & Co., S.p.A.**,
Bassano del Grappa (IT)

Primary Examiner—Adir Aronovich
(74) *Attorney, Agent, or Firm*—RatnerPrestia

(**) Term: **14 Years**

(57) **CLAIM**

(21) Appl. No.: **29/245,242**

The ornamental design for a support head for optical and photographic equipments, as shown and described.

(22) Filed: **Dec. 21, 2005**

DESCRIPTION

(30) **Foreign Application Priority Data**

Jun. 21, 2005 (EM) 000358841

FIG. 1 is a perspective view from the top right of a support head for optical and photographic equipments showing my new design.

(51) **LOC (8) Cl.** **16-05**

FIG. 2 is a perspective view from the top left of the support head of FIG. 1;

(52) **U.S. Cl.** **D16/243; D16/245**

FIG. 3 is a top plan view of the support head of FIG. 1;

(58) **Field of Classification Search** D16/237,
D16/242, 243-245; 224/908; 248/176.1,
248/177.1, 178.1, 187.1, 183.1, 183.2; 348/373;
352/243; 396/419, 420, 428

FIG. 4 is a bottom plan view of the support head of FIG. 1;
FIG. 5 is an elevation view from the right side of the support head of FIG. 1;

See application file for complete search history.

FIG. 6 is an elevation view from the left side of the support head of FIG. 1;

(56) **References Cited**

U.S. PATENT DOCUMENTS

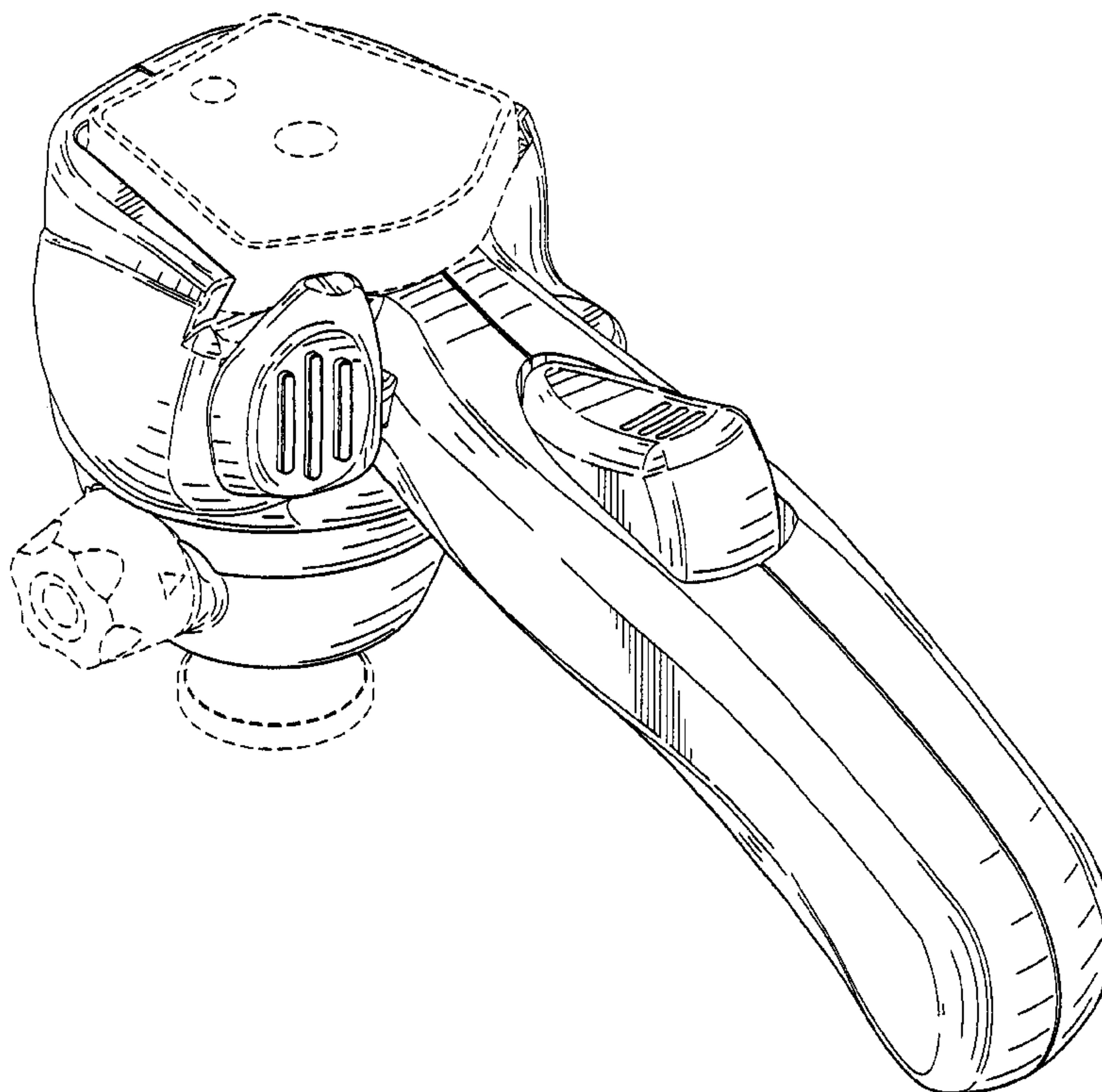
D160,136 S * 9/1950 Welt D16/245
D265,481 S * 7/1982 Iwasaki D16/245
D289,899 S * 5/1987 Iwasaki D16/245
5,012,265 A * 4/1991 Nakatani 352/243
D327,085 S * 6/1992 Miyauchi D16/245

FIG. 7 is a rear elevation view of the support head of FIG. 1; and,

FIG. 8 is a front elevation view of the support head of FIG. 1.

The broken lines are for illustration only and form no part of the claimed design.

1 Claim, 7 Drawing Sheets



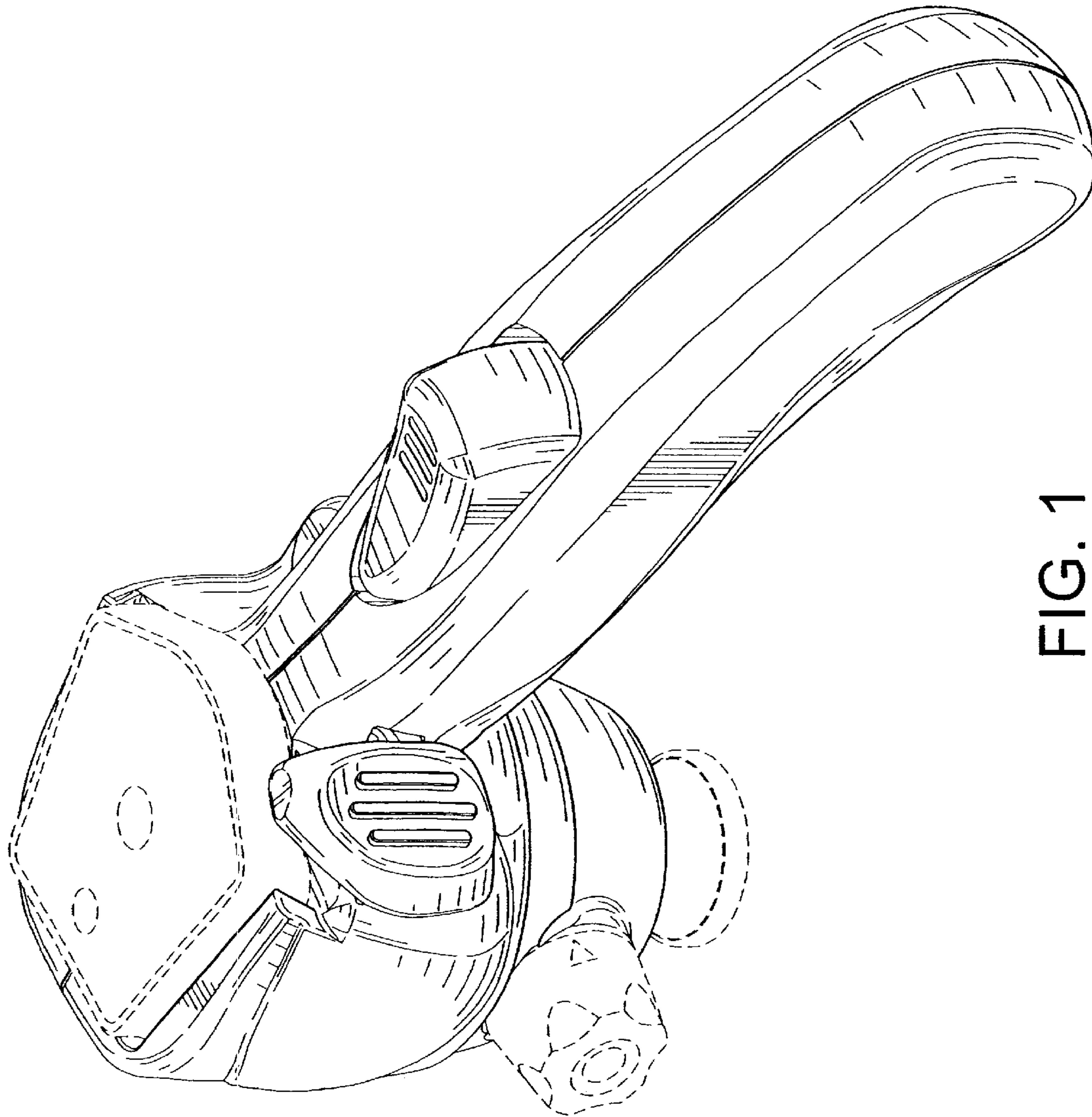


FIG. 1

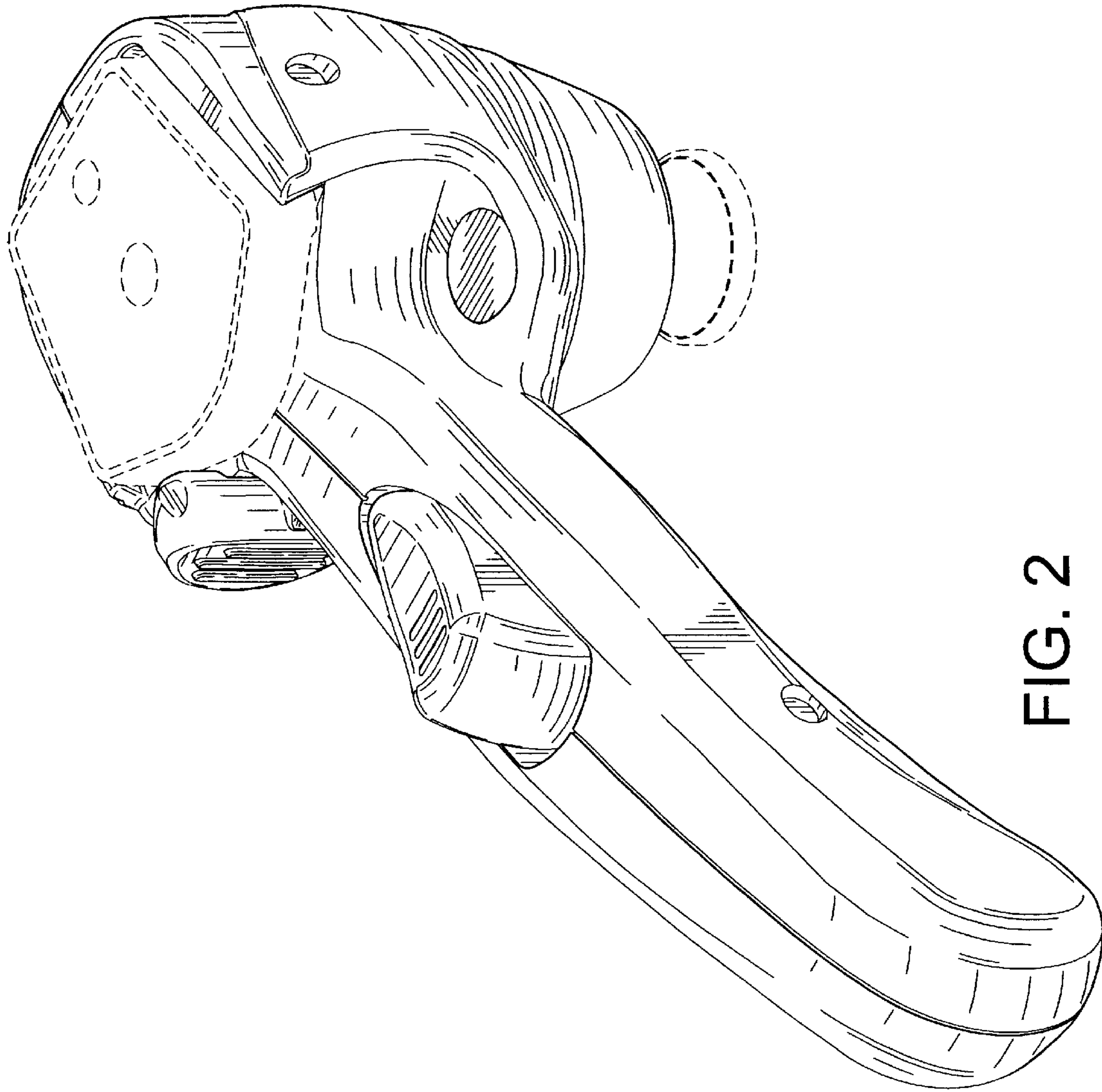


FIG. 2

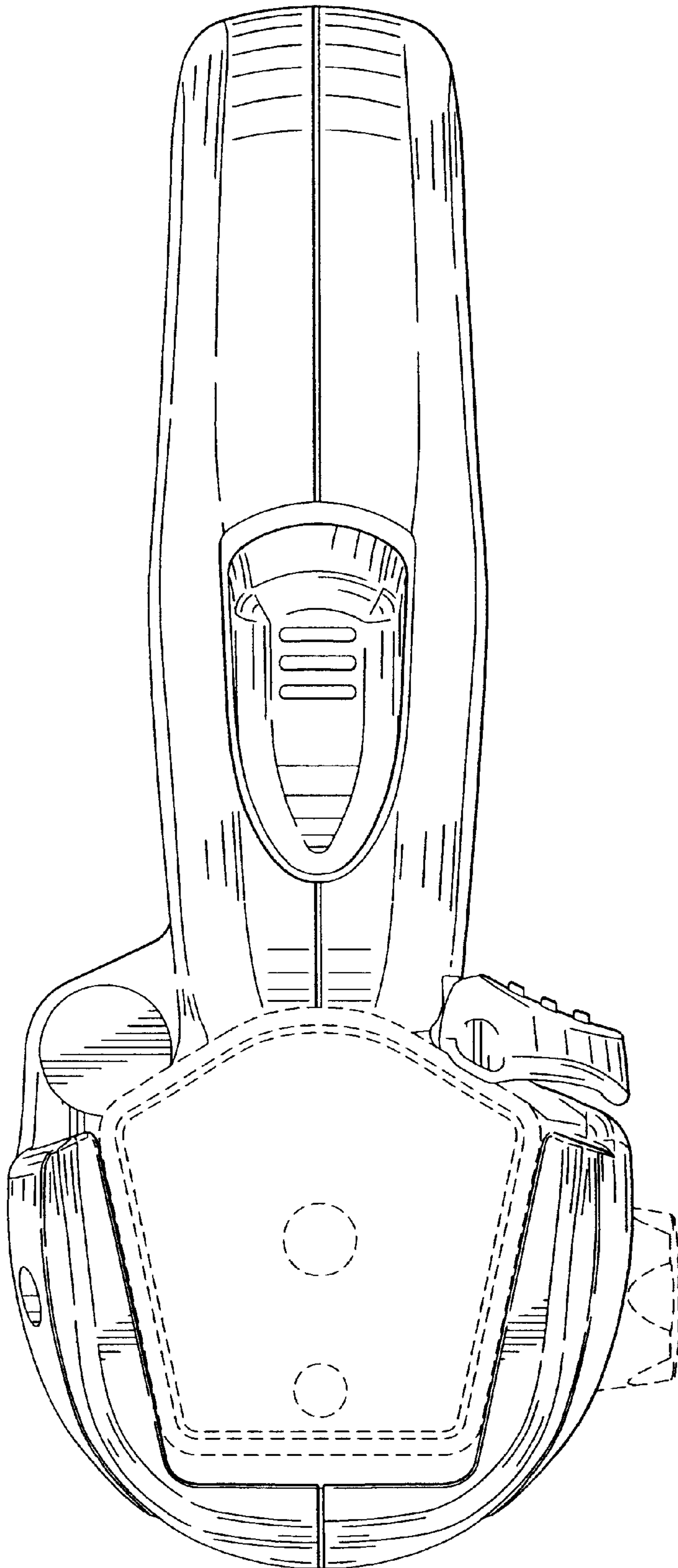


FIG. 3

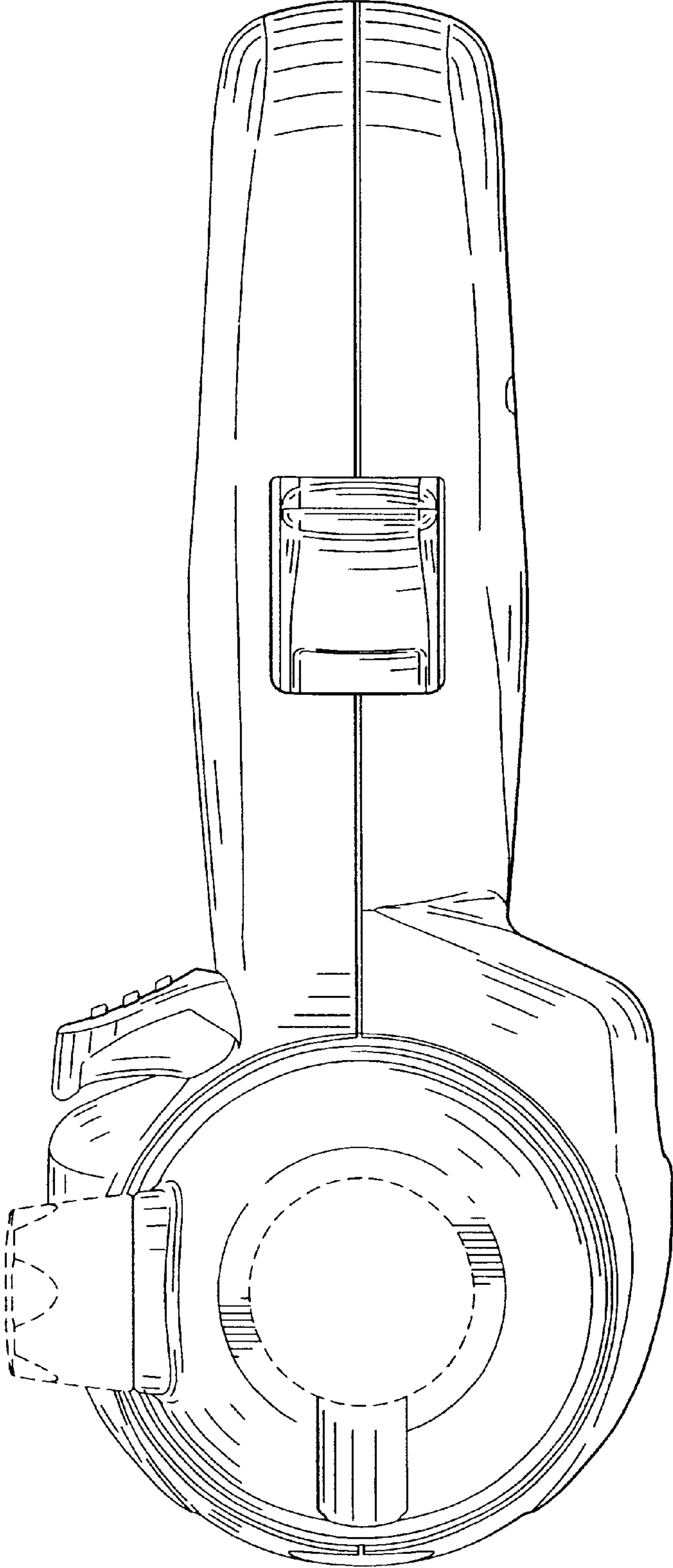


FIG. 4

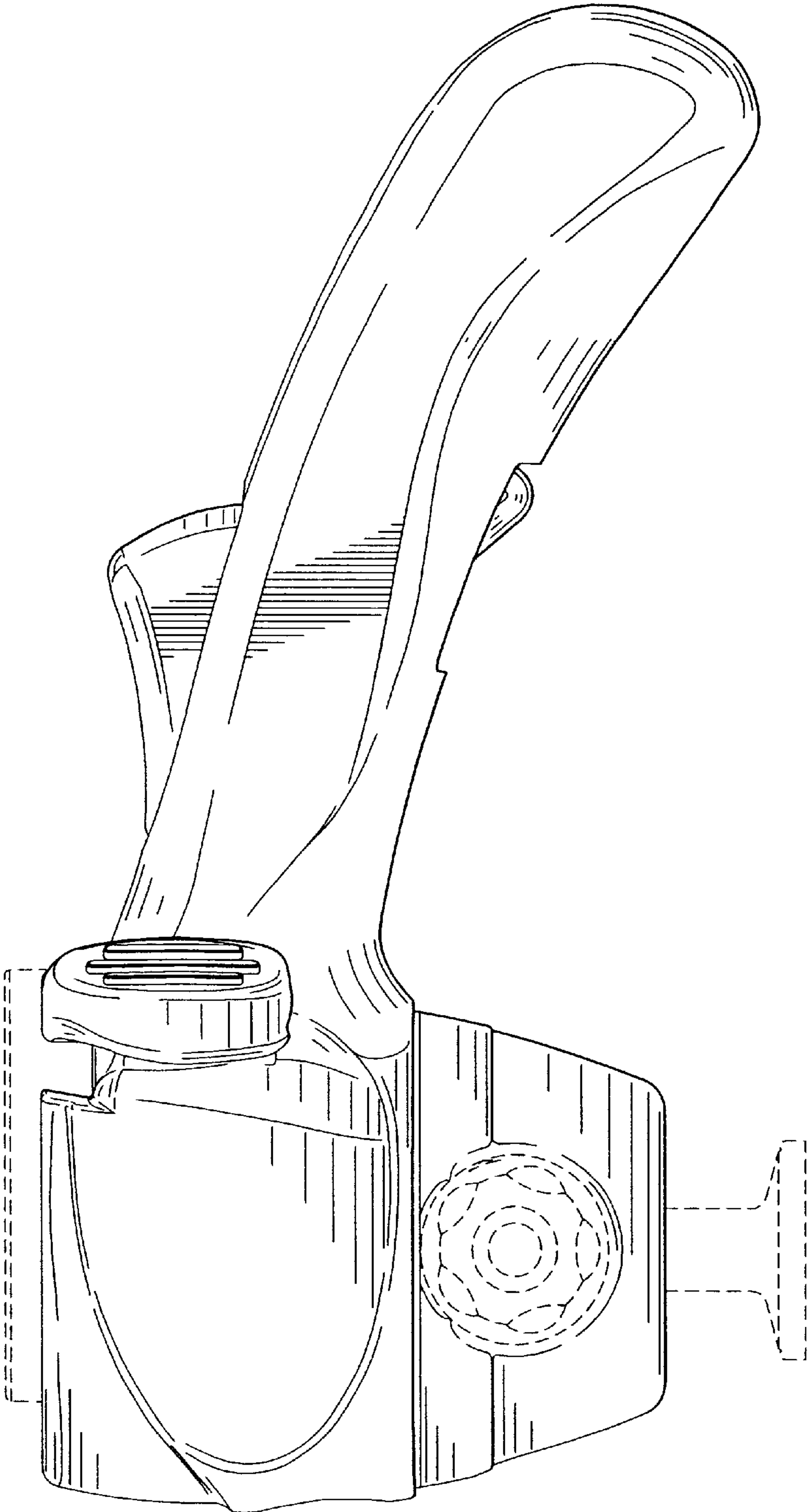


FIG. 5

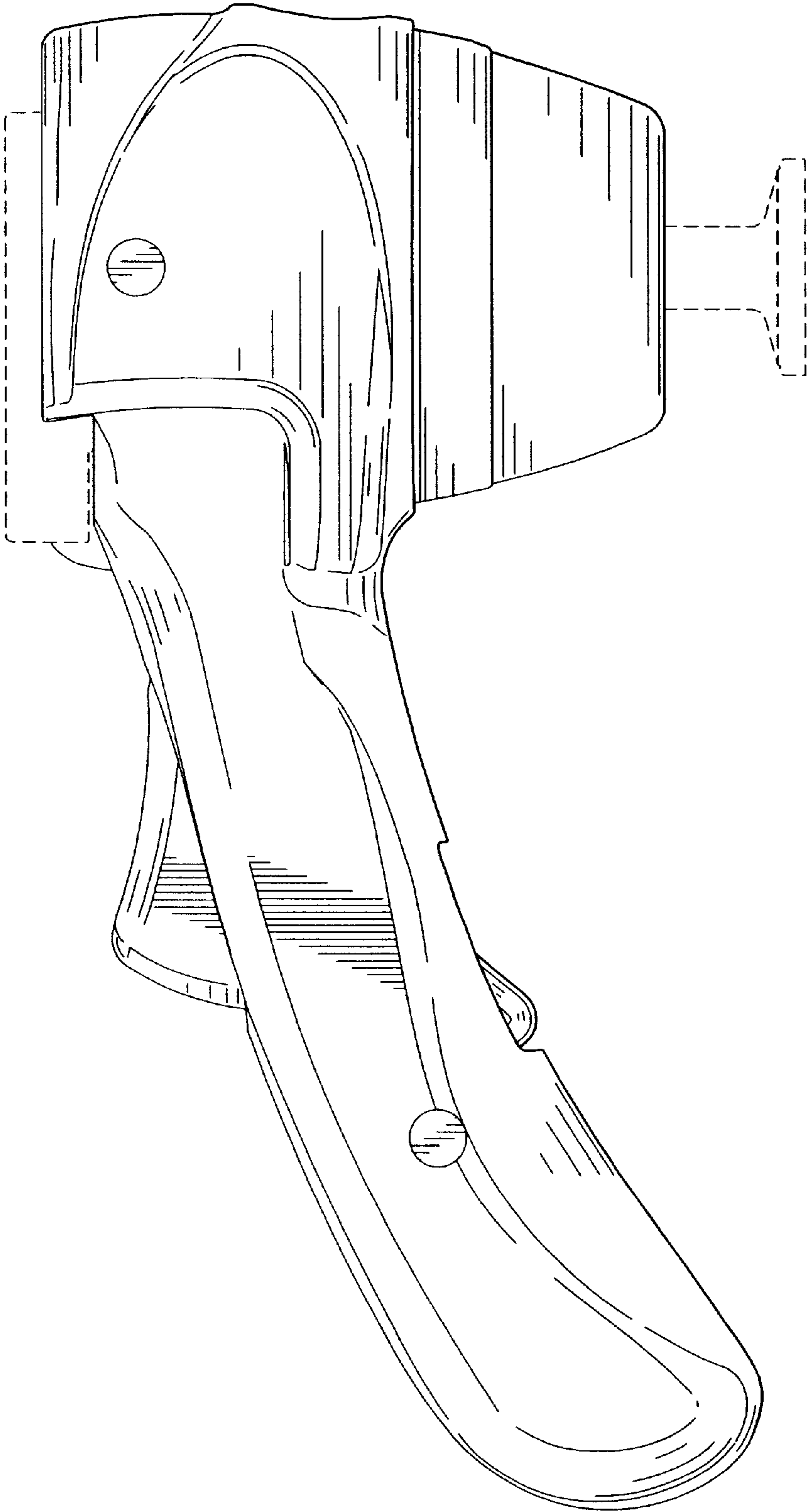


FIG. 6

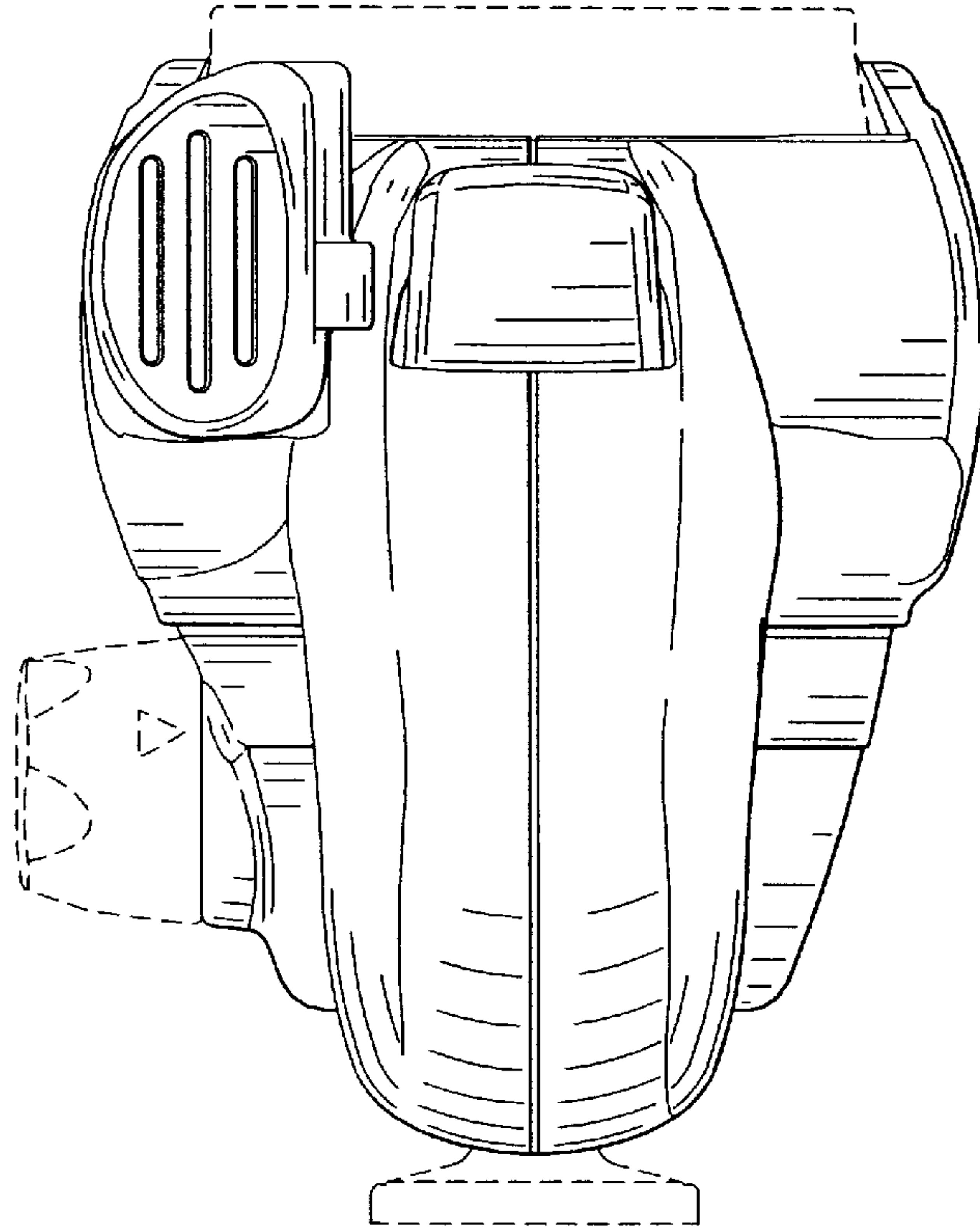


FIG. 7

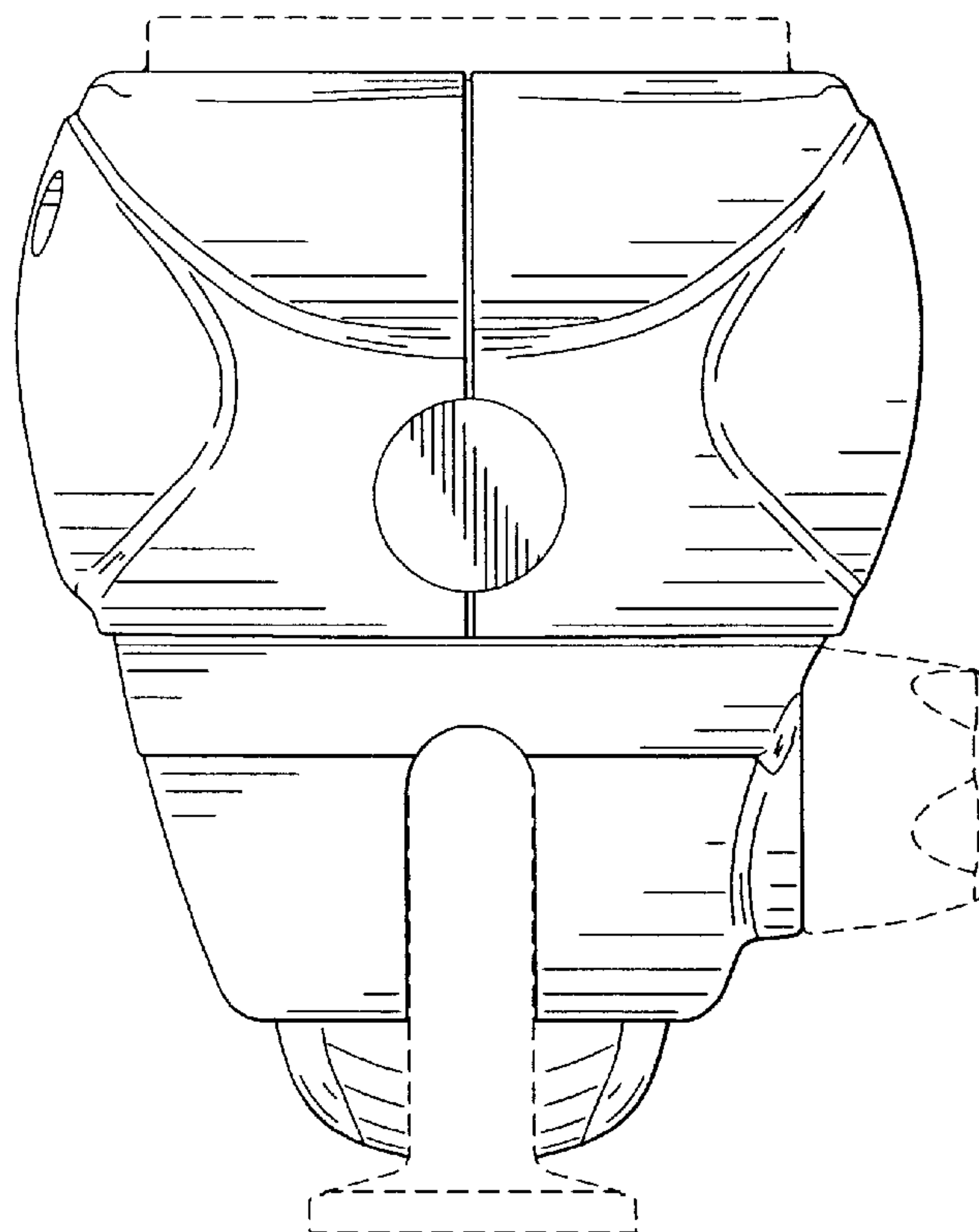


FIG. 8