



US00D532810S

(12) **United States Design Patent**
Kim

(10) **Patent No.:** **US D532,810 S**

(45) **Date of Patent:** **** Nov. 28, 2006**

(54) **DIGITAL CAMERA**

D521,043 S * 5/2006 Takagi D16/218
D522,555 S * 6/2006 Choi D16/202

(75) Inventor: **Joo Bok Kim**, Seongnam-si (KR)

OTHER PUBLICATIONS

(73) Assignee: **Samsung Techwin Co., Ltd.**,
Changwon (KR)

SONY Corp., Photographs of Digital Camera, Model T3.

(**) Term: **14 Years**

* cited by examiner

(21) Appl. No.: **29/229,082**

Primary Examiner—Adir Aronovich

(22) Filed: **May 3, 2005**

(74) *Attorney, Agent, or Firm*—Gardner Carton & Douglas
LLP

(30) **Foreign Application Priority Data**

(57) **CLAIM**

Jan. 26, 2005 (KR) 30-2005-0002600

I claim the ornamental design for a digital camera, as shown
and described.

(51) **LOC (8) Cl.** **16-01**

DESCRIPTION

(52) **U.S. Cl.** **D16/219**; D16/202

(58) **Field of Classification Search** D16/200–204,
D16/208, 218, 219; 348/373–376; 358/909.1;
396/6, 535, 536–541

FIG. 1 is a front perspective view of the design for a digital
camera;

FIG. 2 is a front view of the design of FIG. 1;

FIG. 3 is a rear view of the design of FIG. 1;

FIG. 4 is a left side view of the design of FIG. 1;

FIG. 5 is a right side view of the design of FIG. 1;

FIG. 6 is a top view of the design of FIG. 1; and,

FIG. 7 is a bottom view of the design of FIG. 1.

See application file for complete search history.

The portions of the camera in broken lines are shown for
illustrative purposes only and form no part of the claimed
design.

(56) **References Cited**

U.S. PATENT DOCUMENTS

D387,078 S * 12/1997 Akita D16/202
D508,512 S * 8/2005 Suzuki D16/219
D508,711 S * 8/2005 Suzuki D16/218
D519,539 S * 4/2006 Takagi D16/202
D521,038 S * 5/2006 Takagi D16/200

1 Claim, 4 Drawing Sheets

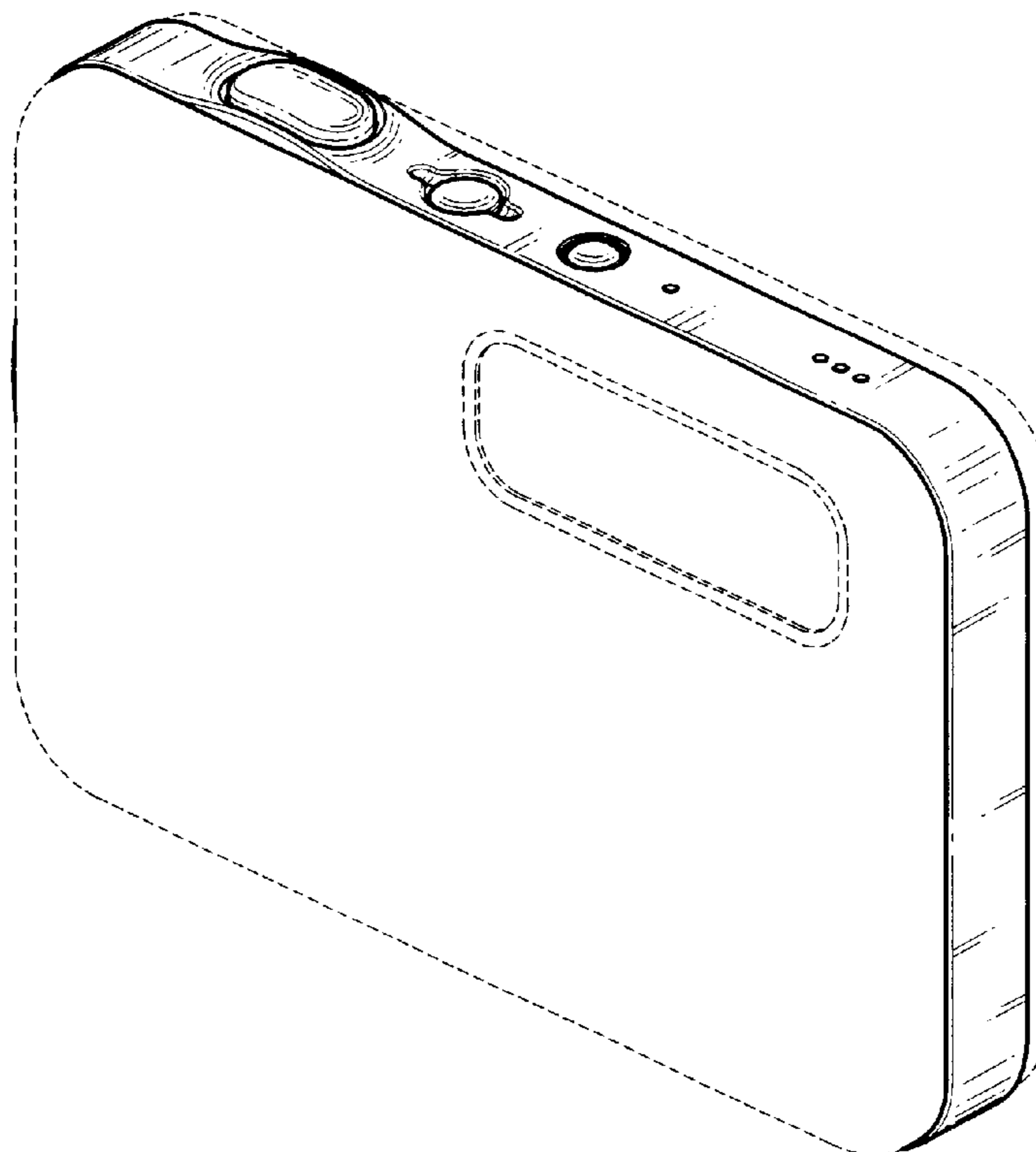


FIG. 1

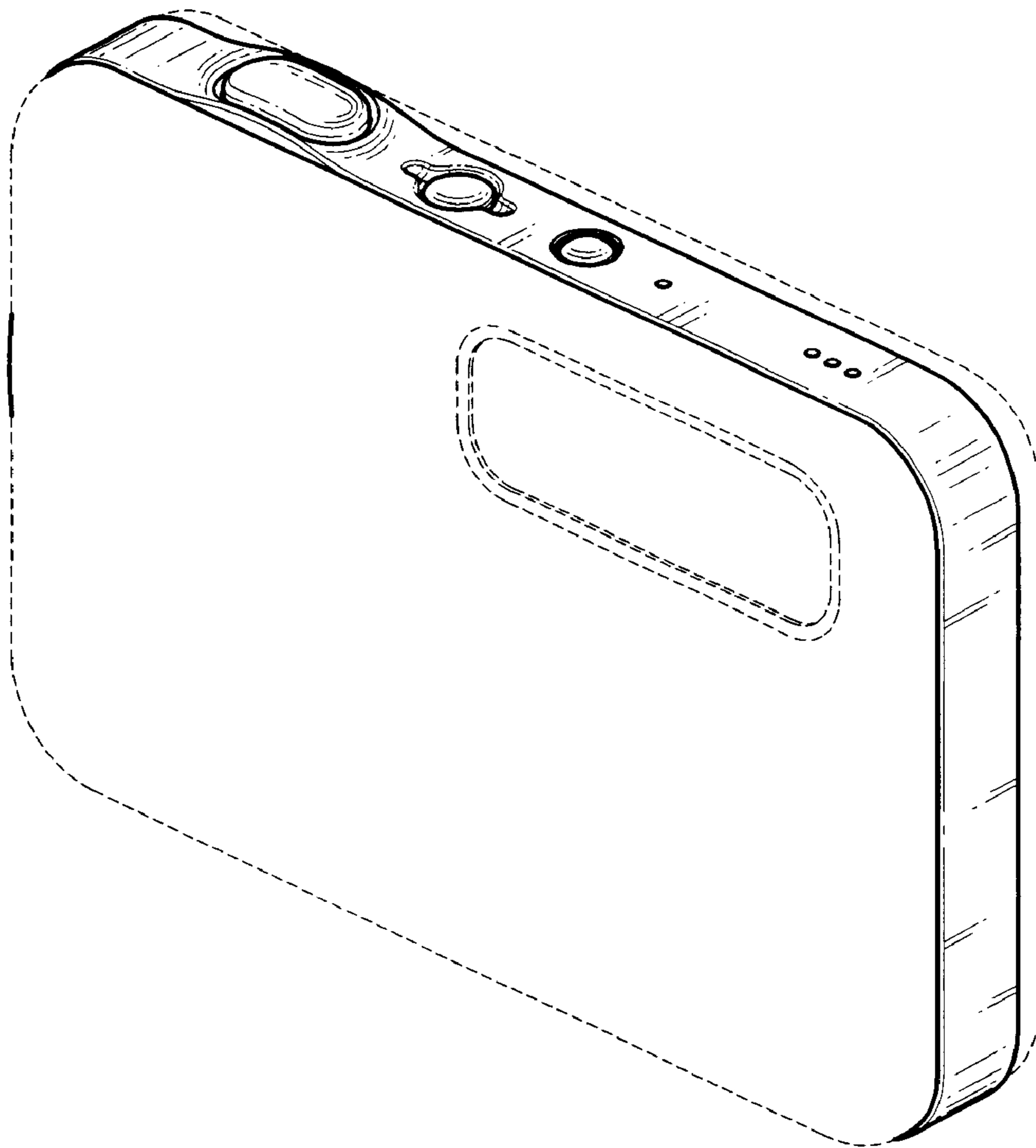


FIG. 2

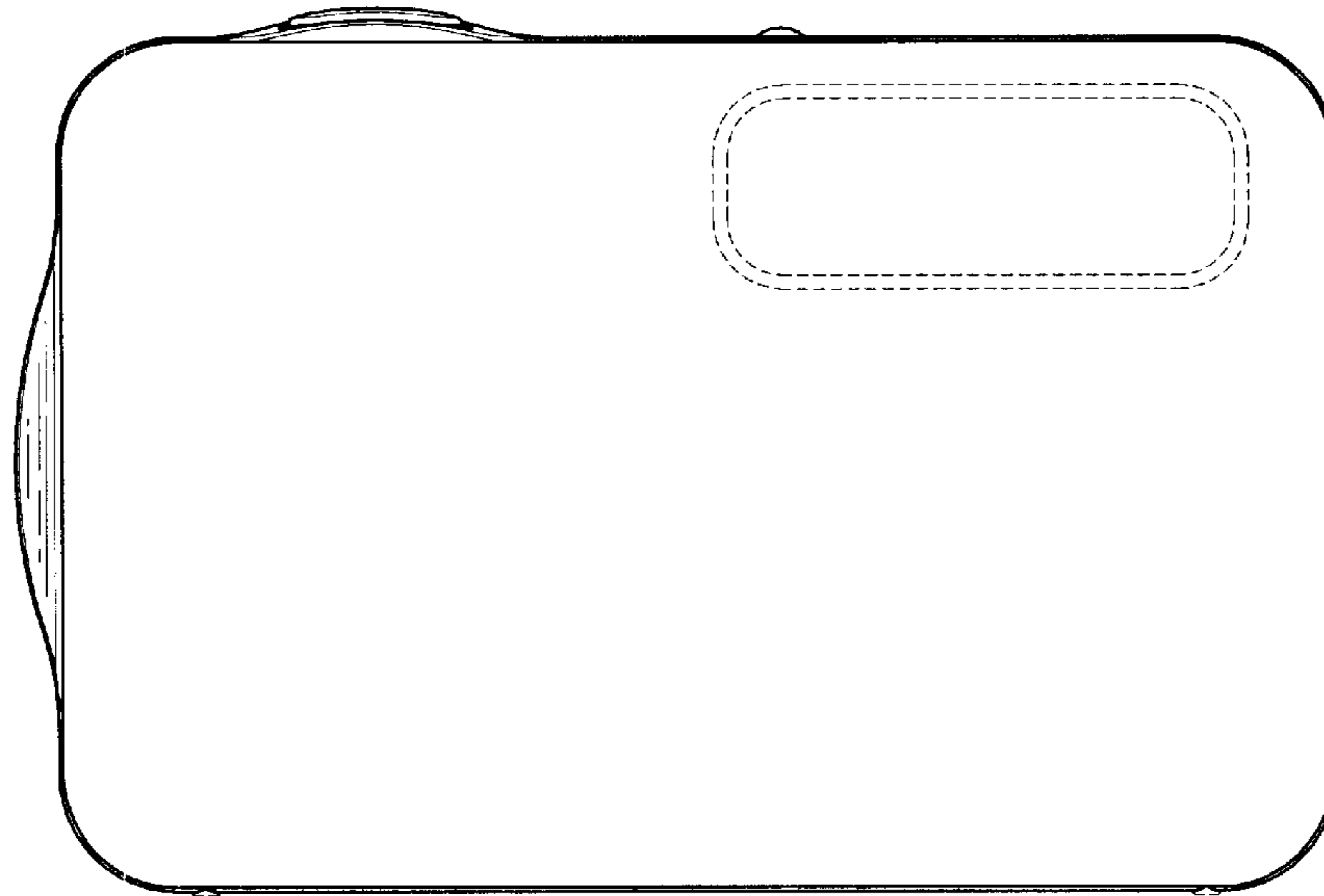


FIG. 3

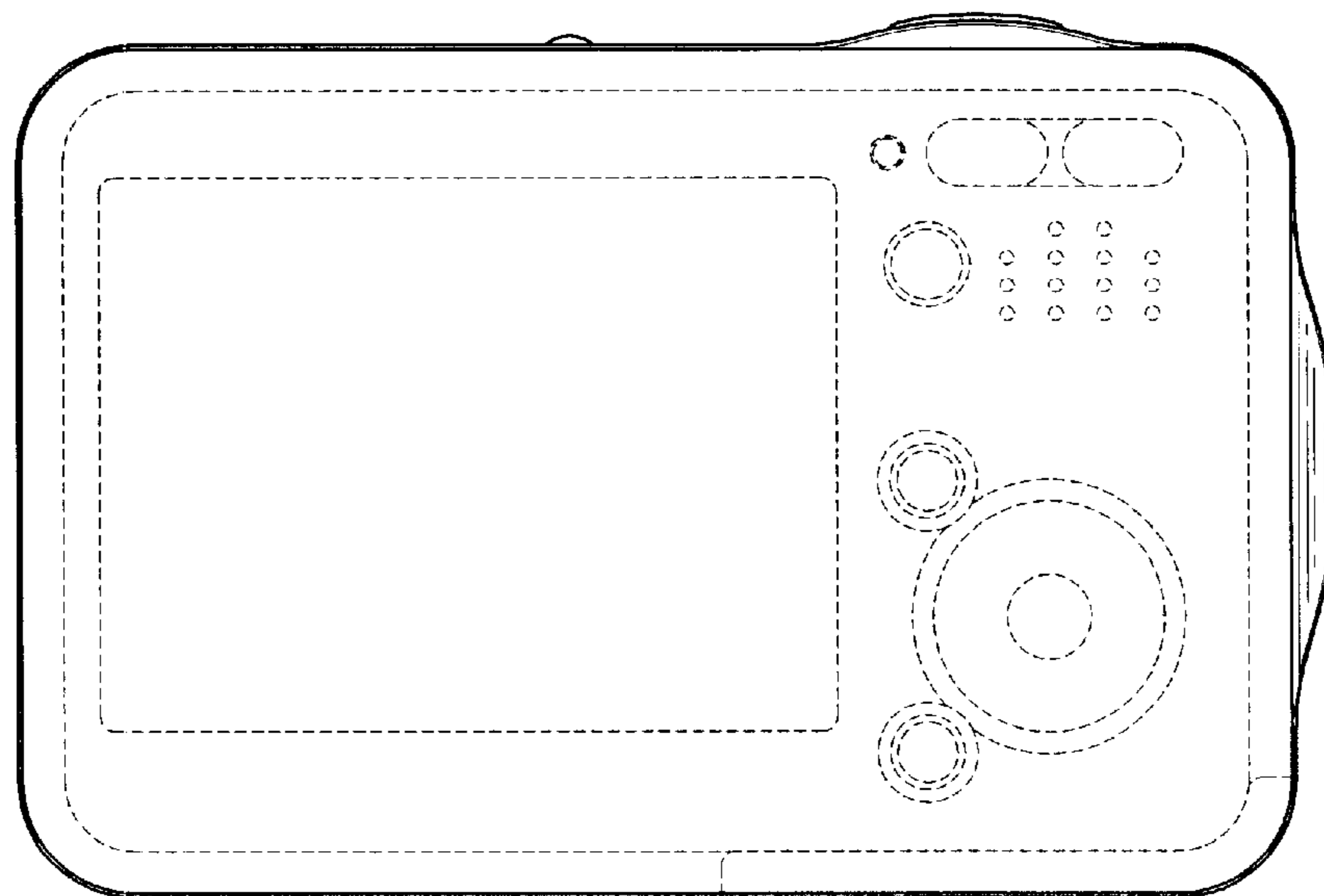


FIG. 4

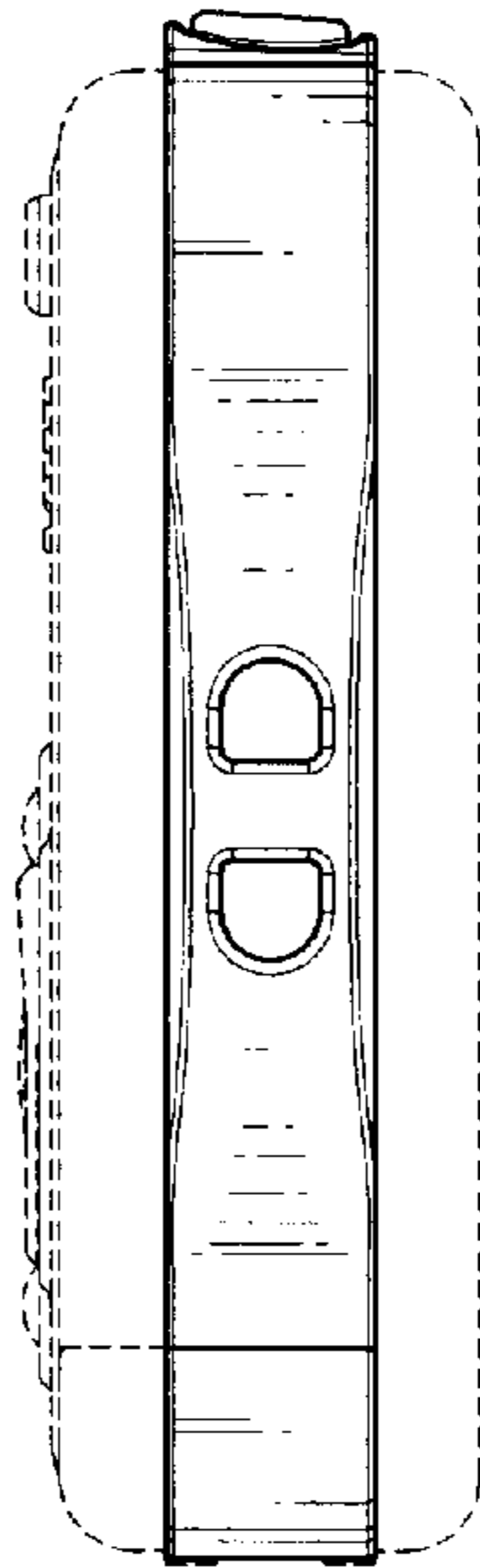


FIG. 5

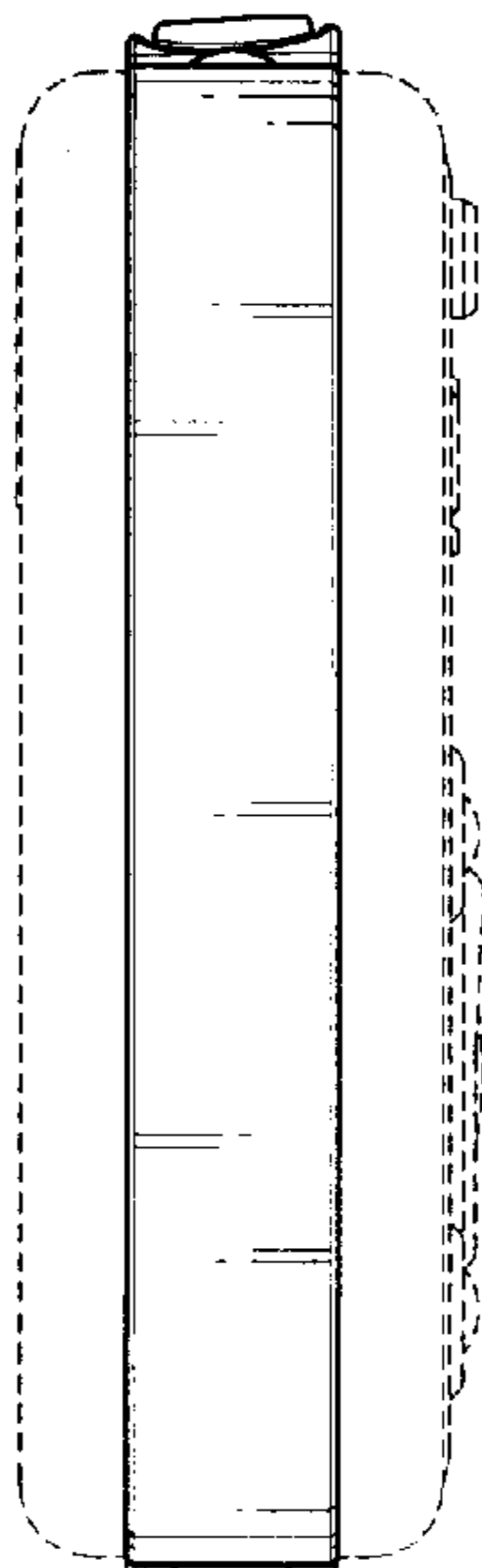


FIG. 6

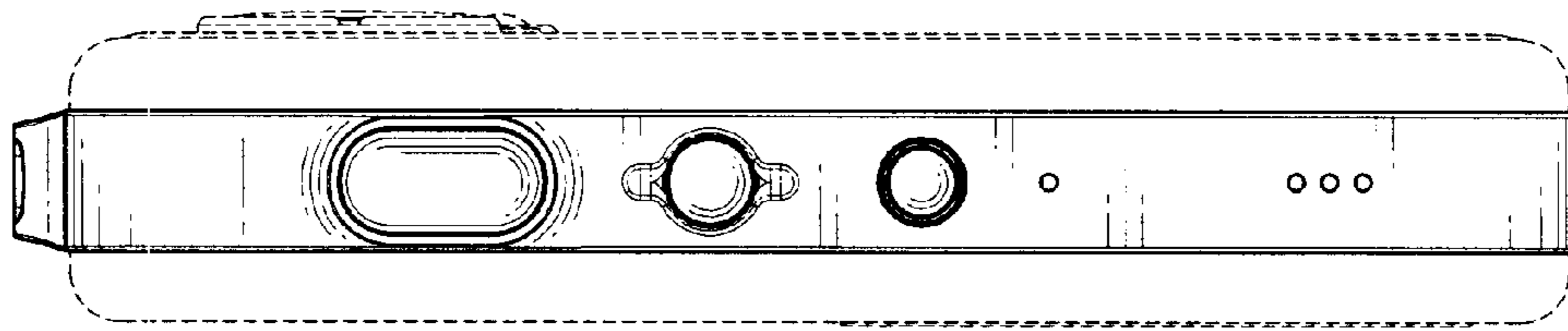


FIG. 7

