



US00D532807S

(12) **United States Design Patent**
Shih

(10) **Patent No.:** **US D532,807 S**

(45) **Date of Patent:** **** Nov. 28, 2006**

(54) **CAMERA DEVICE**

(75) Inventor: **Yu Chiang Shih**, Hsintien (TW)

(73) Assignee: **Animation Technologies Inc.**, Taipei Hsien (TW)

(**) Term: **14 Years**

(21) Appl. No.: **29/231,892**

(22) Filed: **Jun. 13, 2005**

(51) **LOC (8) Cl.** **16-01**

(52) **U.S. Cl.** **D16/203; D16/202**

(58) **Field of Classification Search** D16/200–205,
D16/208, 218, 242; 348/81, 143, 373–376;
396/6, 427, 25–29, 535–541
See application file for complete search history.

(56) **References Cited**

U.S. PATENT DOCUMENTS

D396,869 S * 8/1998 Yamakawa et al. D16/202
D426,249 S * 6/2000 Tsujimoto D16/202
D447,758 S * 9/2001 Lin et al. D16/203

D470,874 S * 2/2003 Chiu D16/202
D478,923 S * 8/2003 Han D16/202
6,705,774 B1 * 3/2004 Tashiro et al. 396/427
D505,146 S * 5/2005 Ou D16/203

* cited by examiner

Primary Examiner—Adir Aronovich

(74) *Attorney, Agent, or Firm*—Bacon & Thomas

(57) **CLAIM**

The ornamental design for a camera device, as shown and described.

DESCRIPTION

FIG. 1 is a perspective view of a camera device showing my design;

FIG. 2 is a front view thereof;

FIG. 3 is a rear view thereof;

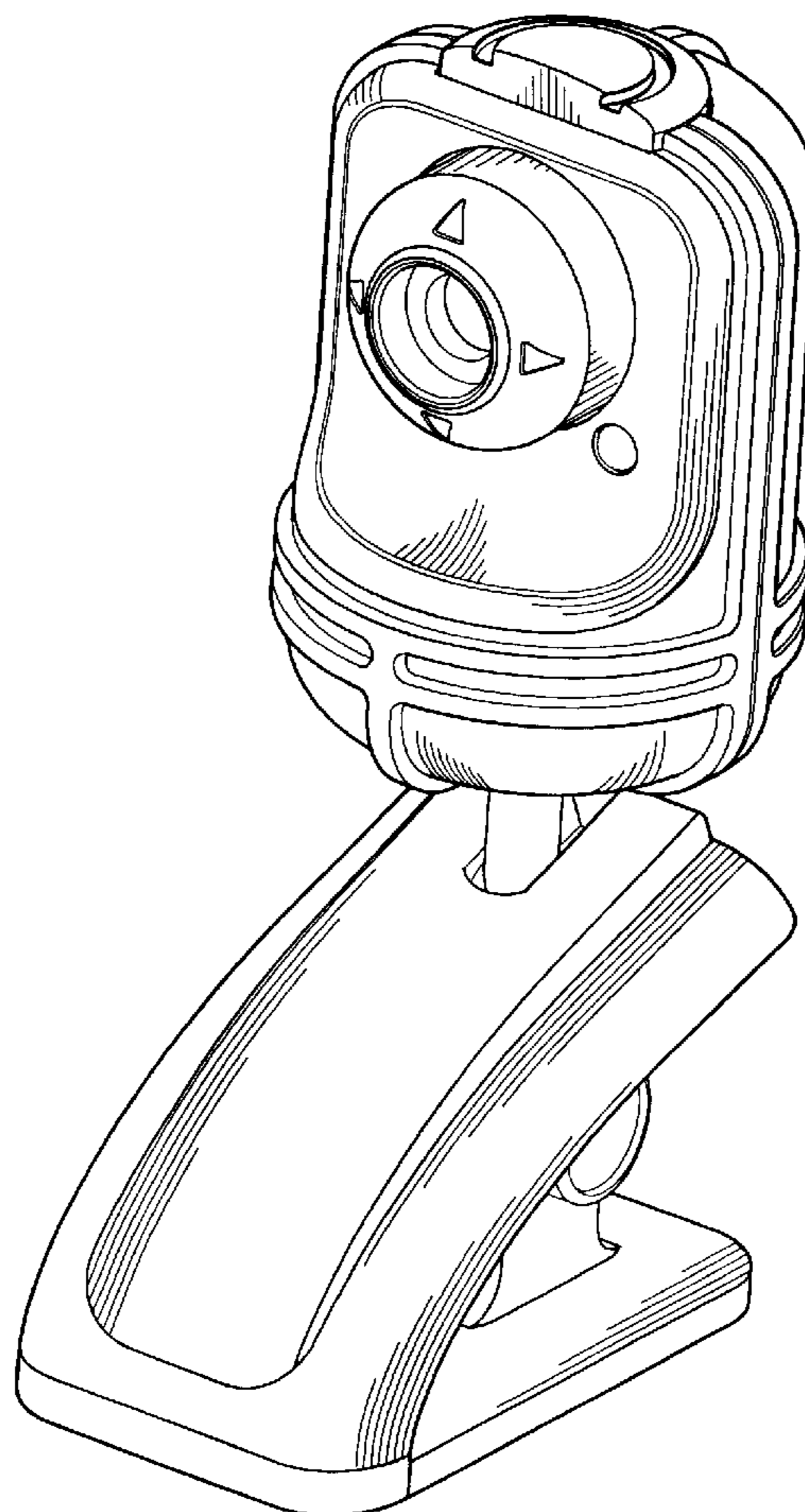
FIG. 4 is a left side view thereof;

FIG. 5 is a right side view thereof;

FIG. 6 is a top view thereof; and,

FIG. 7 is a bottom view thereof.

1 Claim, 6 Drawing Sheets



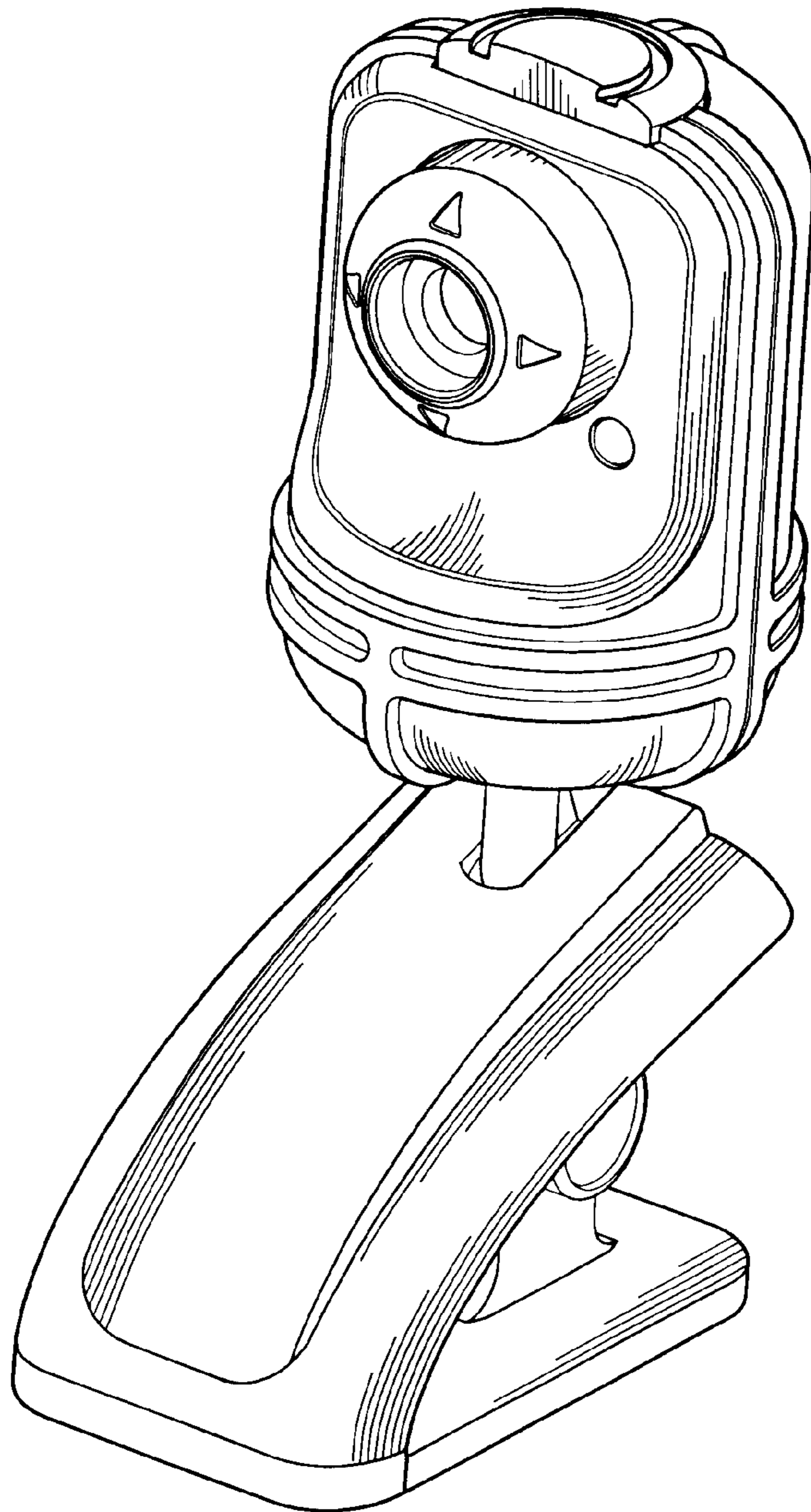


FIG. 1

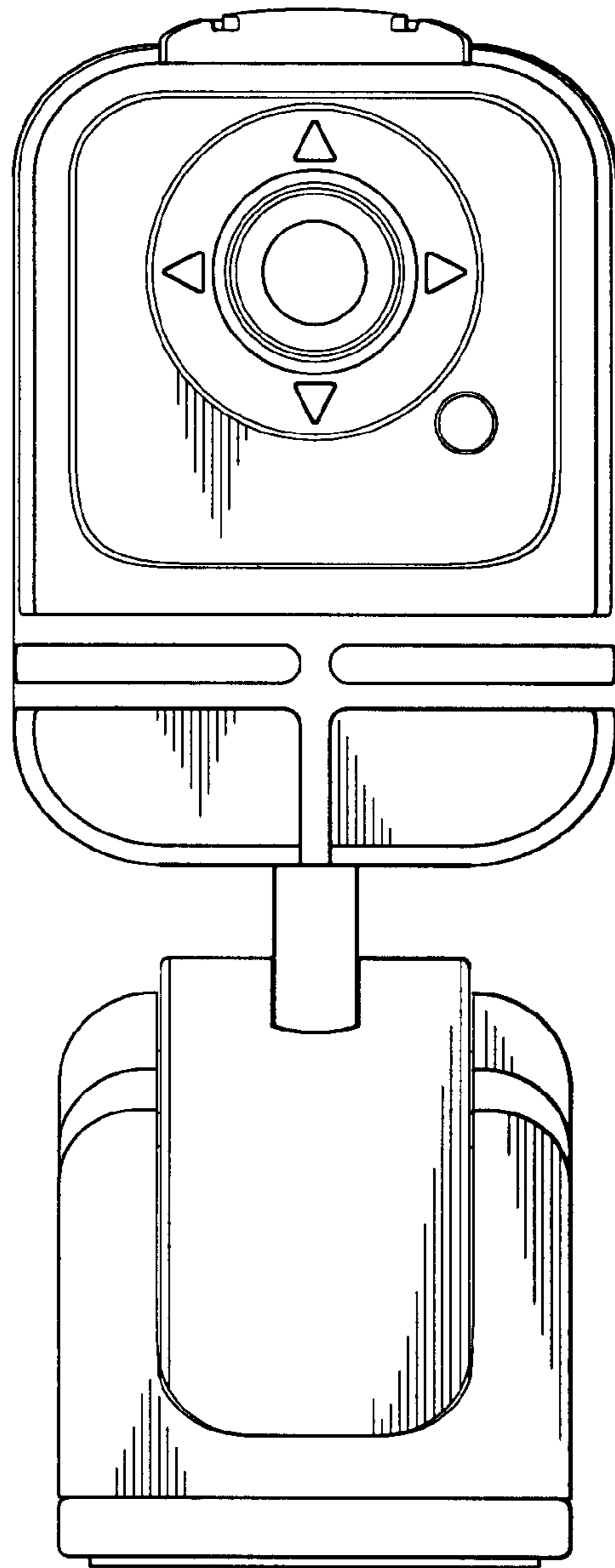


FIG. 2

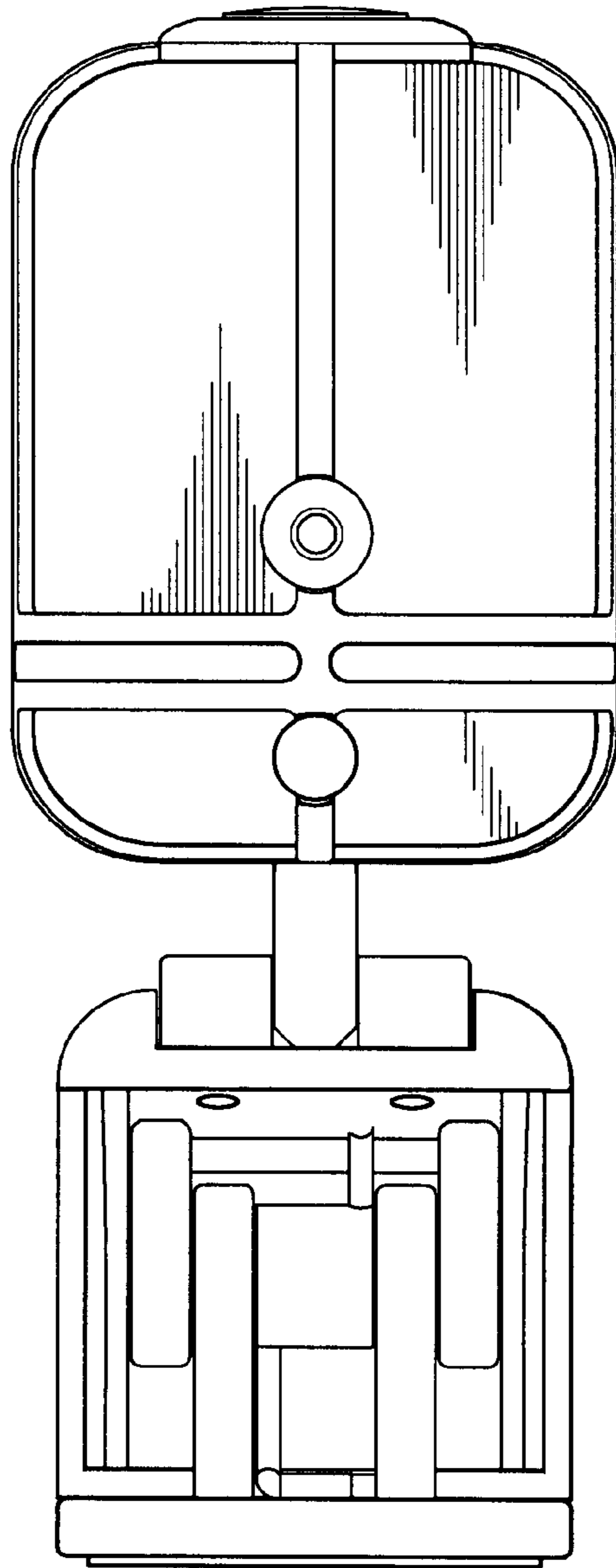


FIG. 3

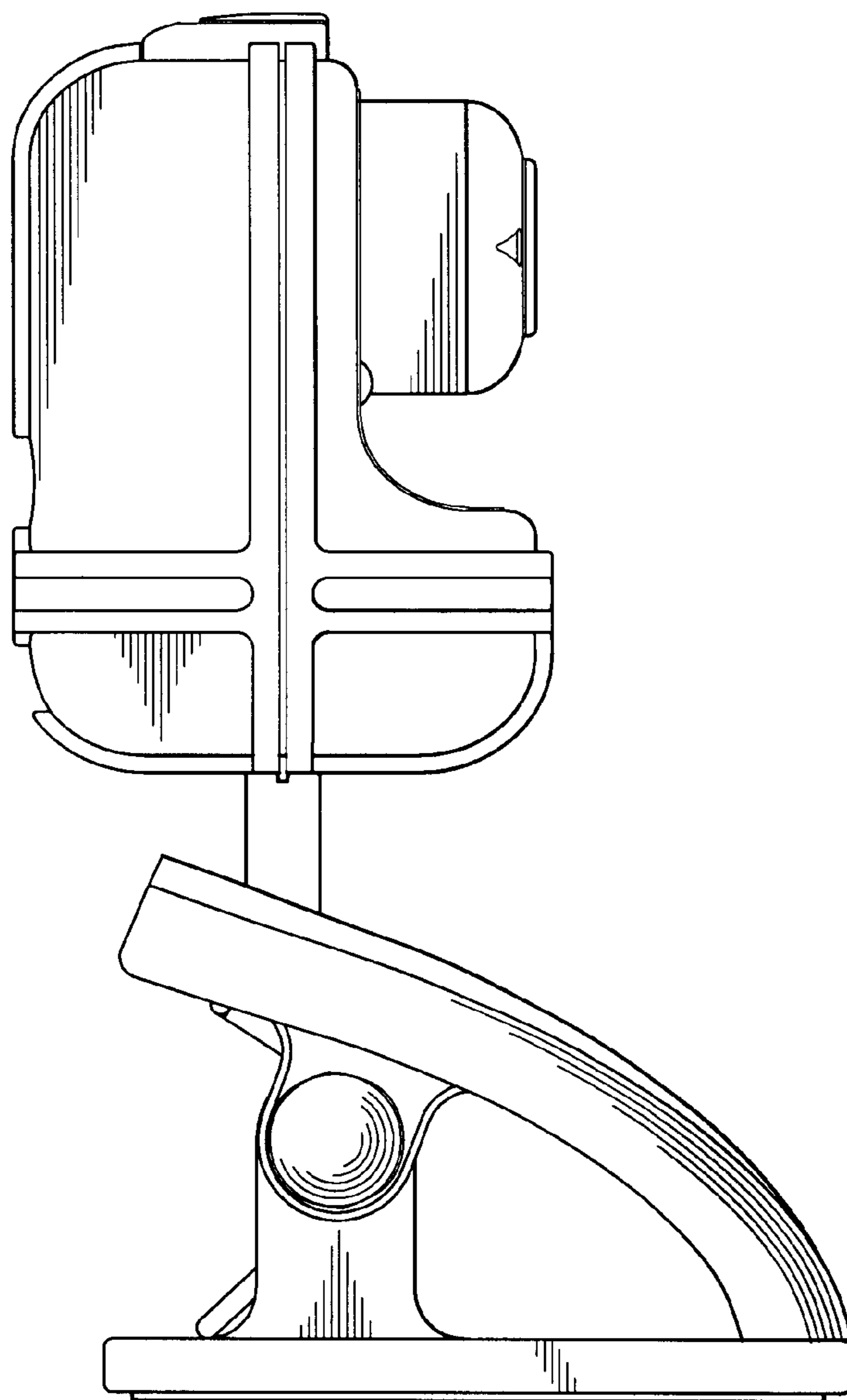


FIG. 4

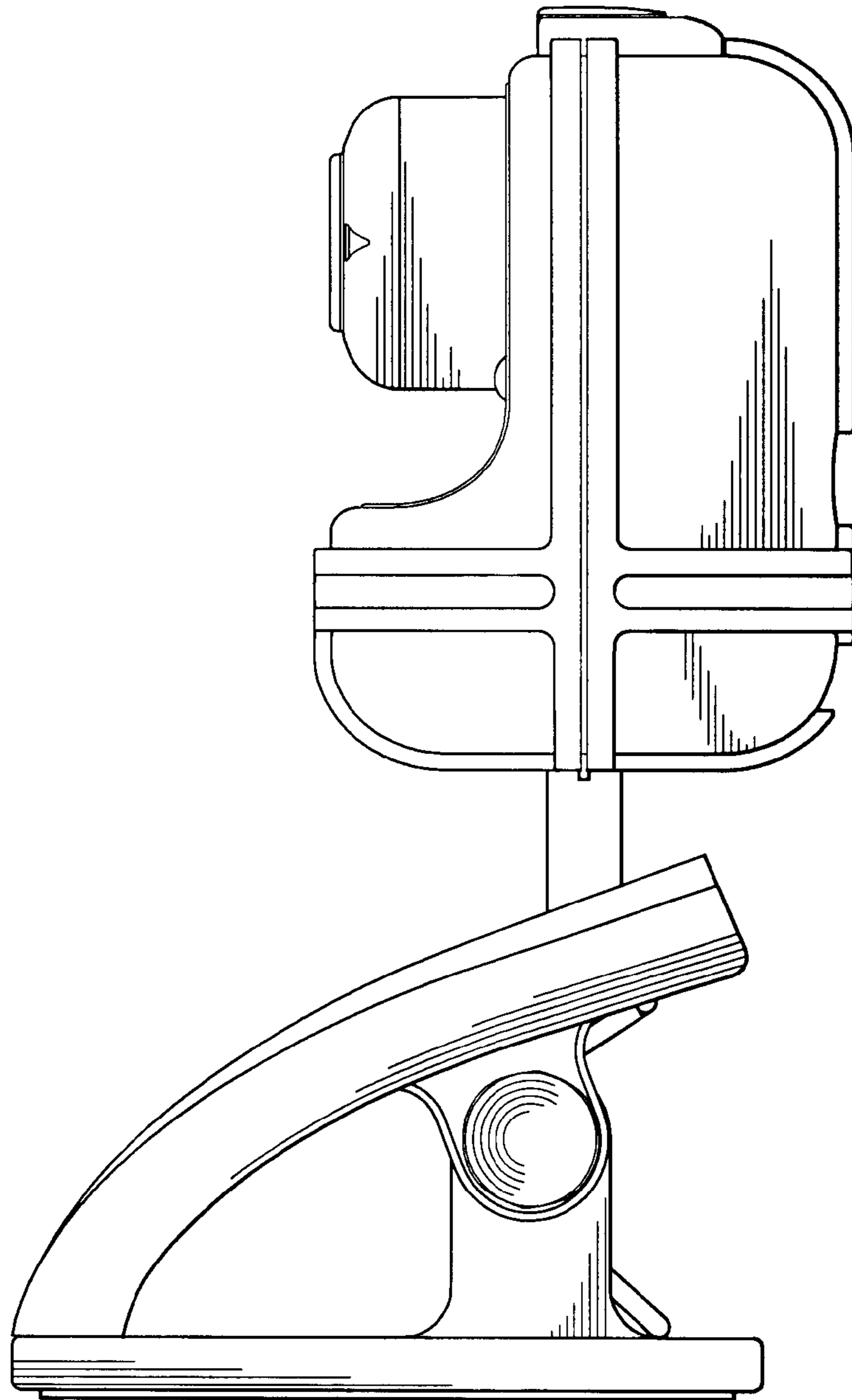


FIG. 5

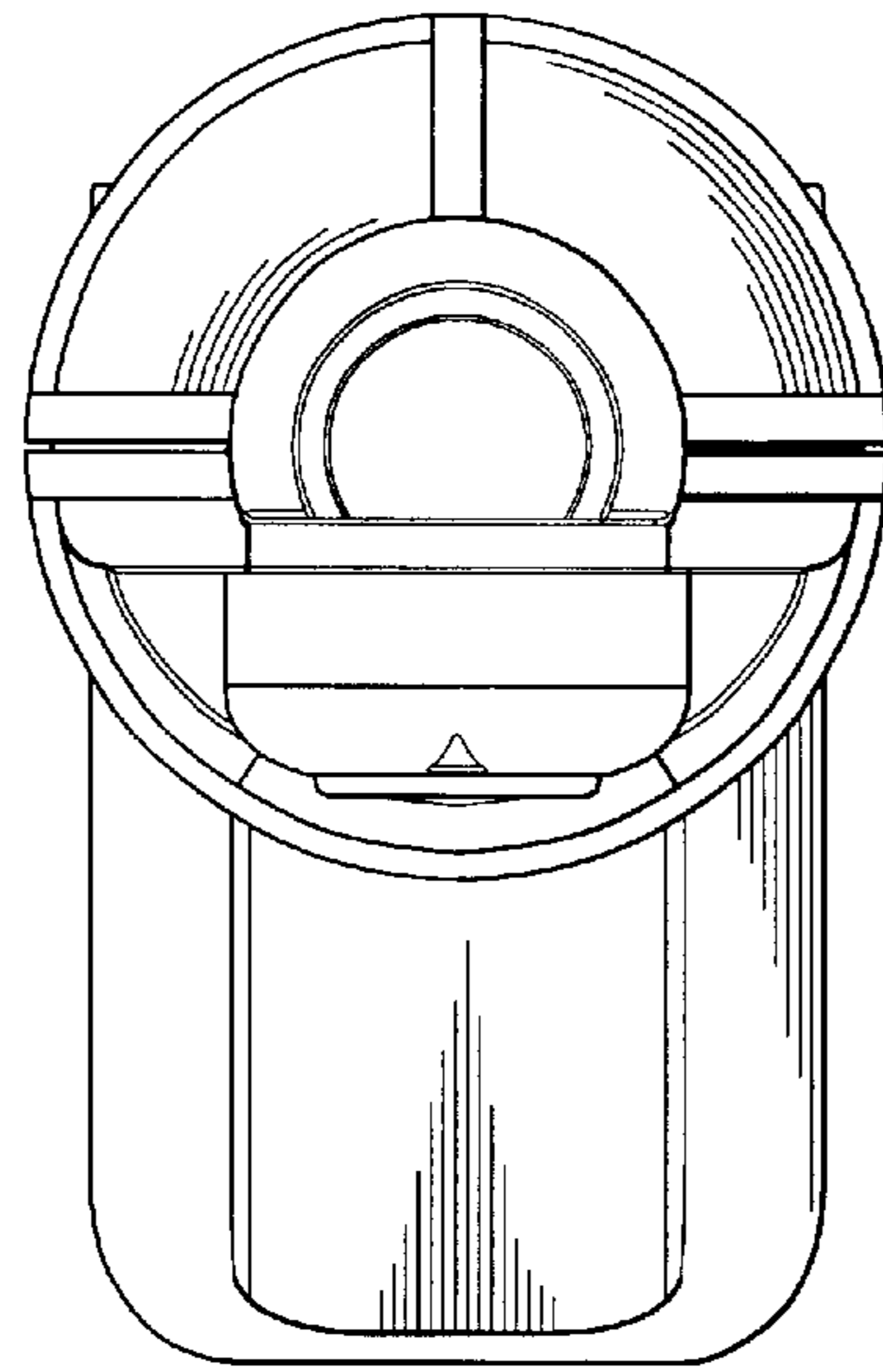


FIG. 6

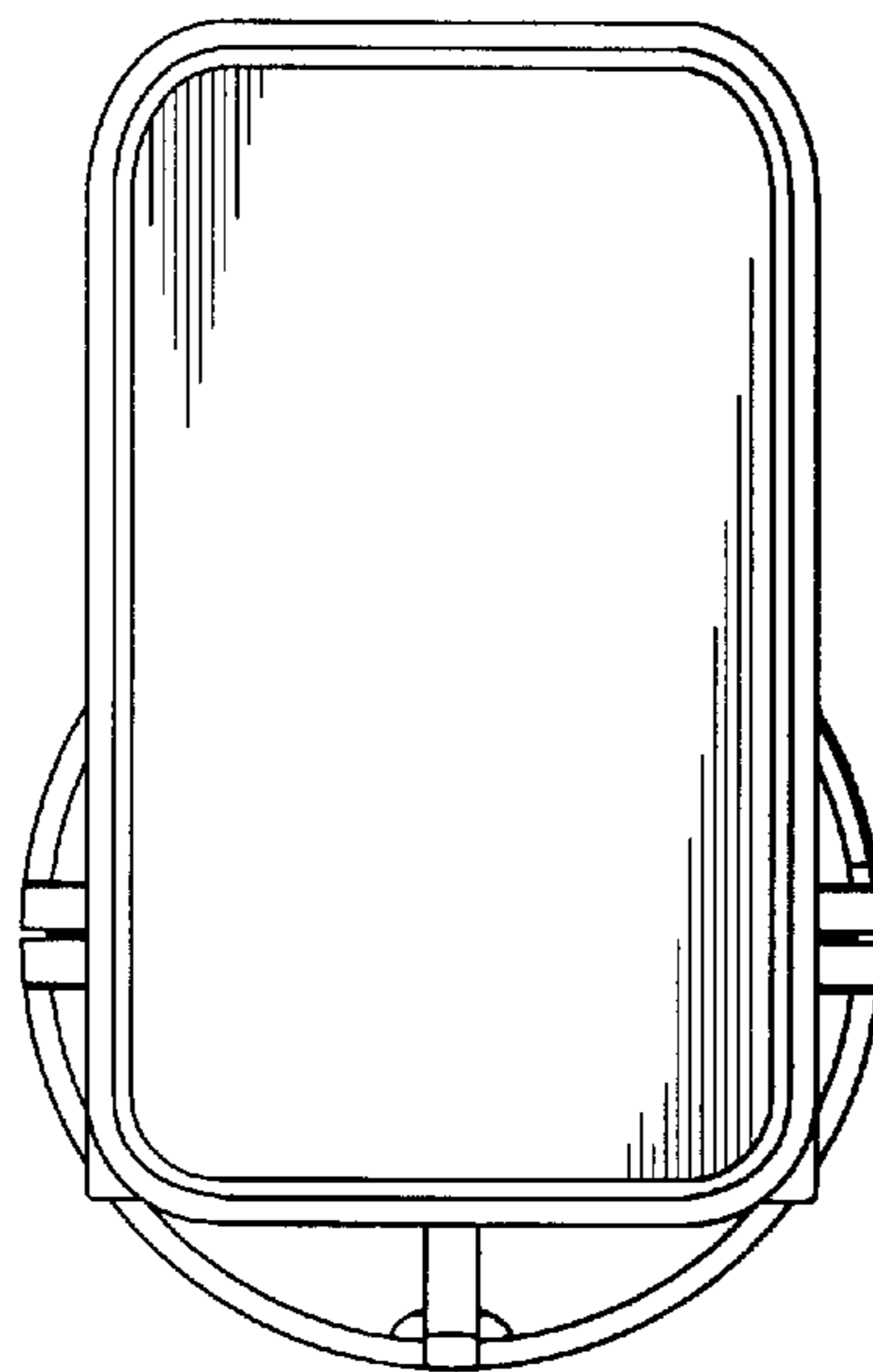


FIG. 7