



US00D532805S

(12) **United States Design Patent**
Masano et al.

(10) **Patent No.:** **US D532,805 S**

(45) **Date of Patent:** **** Nov. 28, 2006**

(54) **COMBINED VIDEO CAMERA AND VIDEO TAPE RECORDER**

(75) Inventors: **Koji Masano, Saijo (JP); Shigetada Ninomiya, Saijo (JP)**

(73) Assignee: **Matsushita Electric Industrial Co., Ltd., Osaka (JP)**

(**) **Term:** **14 Years**

(21) **Appl. No.:** **29/232,109**

(22) **Filed:** **Jun. 14, 2005**

(30) **Foreign Application Priority Data**

Jan. 5, 2005 (JP) 2005-000060

(51) **LOC (8) Cl.** **16-01**

(52) **U.S. Cl.** **D16/202**

(58) **Field of Classification Search** D16/200–206, D16/208, 218; 348/373–376; 358/906; 396/535–541
See application file for complete search history.

(56) **References Cited**

U.S. PATENT DOCUMENTS

- 5,499,052 A * 3/1996 Nakanishi et al. 348/373
- D394,075 S 5/1998 Ninomiya et al.
- D406,157 S 2/1999 Goto
- D408,042 S 4/1999 Onoda et al.
- D408,043 S 4/1999 Goto et al.
- D408,428 S 4/1999 Ninomiya et al.
- D410,017 S 5/1999 Goto et al.
- D413,910 S 9/1999 Onoda et al.
- D413,911 S 9/1999 Goto et al.
- D418,852 S 1/2000 Onoda et al.
- D419,169 S 1/2000 Masano
- D423,541 S * 4/2000 Ohwada D16/202

- D429,742 S * 8/2000 Fukushima D16/202
- D469,793 S 2/2003 Onoda et al.
- D469,794 S 2/2003 Onoda et al.
- D487,763 S * 3/2004 Miyashita D16/202
- D491,967 S * 6/2004 Kojima et al. D16/202
- D502,478 S * 3/2005 Iinuma et al. D16/202
- D506,487 S * 6/2005 Iinuma et al. D16/202
- D515,123 S * 2/2006 Kojima et al. D16/202

FOREIGN PATENT DOCUMENTS

- JP 1148210 7/2002
- JP 1149265 8/2002
- JP 1182522 8/2003
- JP 1182523 8/2003
- JP 1182689 8/2003
- JP 1192950 12/2003

* cited by examiner

Primary Examiner—Adir Aronovich

(74) *Attorney, Agent, or Firm*—Brinks Hofer Gilson & Lione

(57) **CLAIM**

We claim the ornamental design for a combined video camera and video tape recorder, as shown and described.

DESCRIPTION

FIG. 1 is a front perspective view of a combined video camera and video tape recorder of the present invention; FIG. 2 is a rear perspective view thereof; FIG. 3 is a front view thereof; FIG. 4 is a first side view thereof; FIG. 5 is a rear view thereof; FIG. 6 is a second side view thereof; FIG. 7 is a top view thereof; and, FIG. 8 is a bottom view thereof.

1 Claim, 4 Drawing Sheets

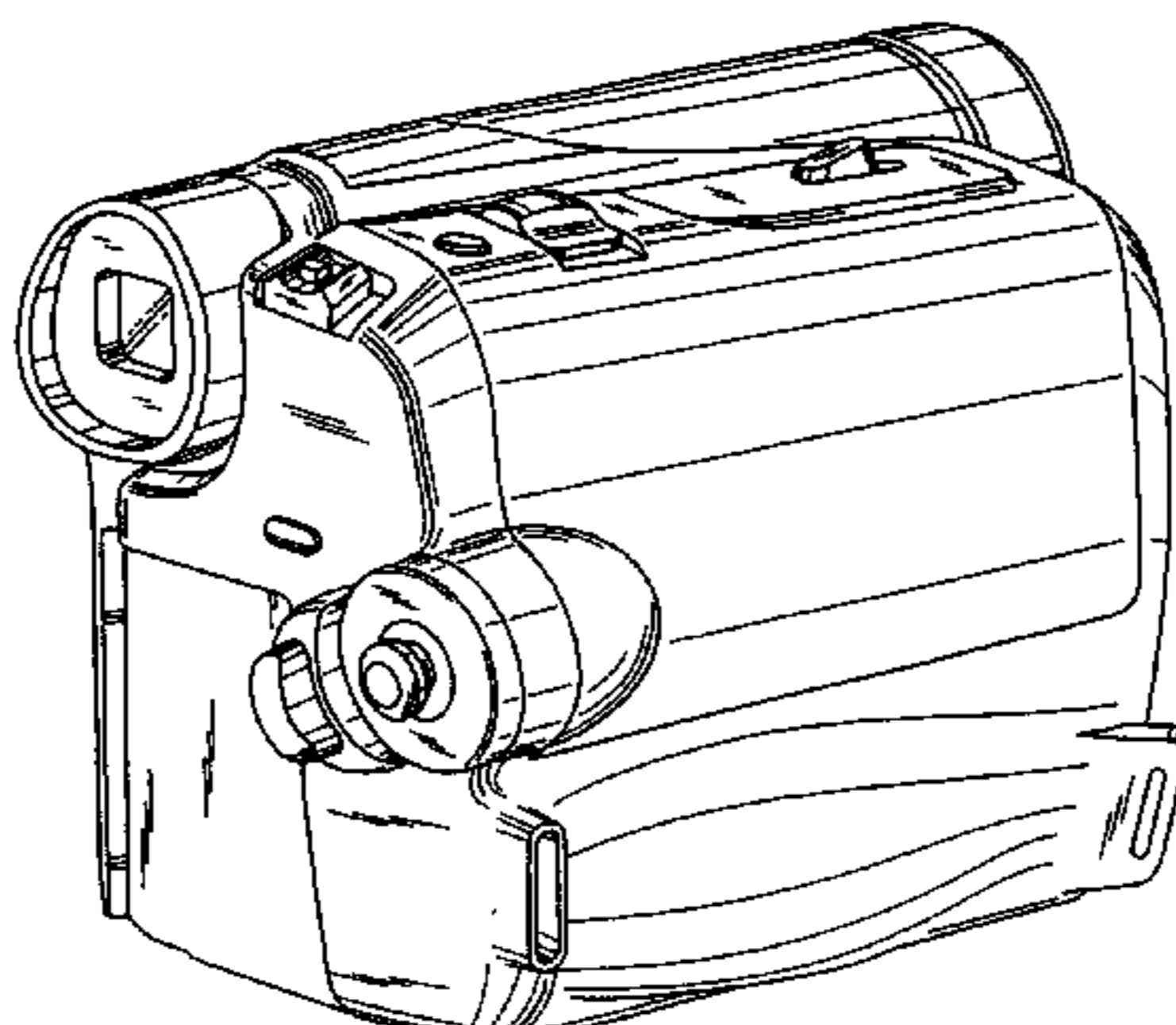
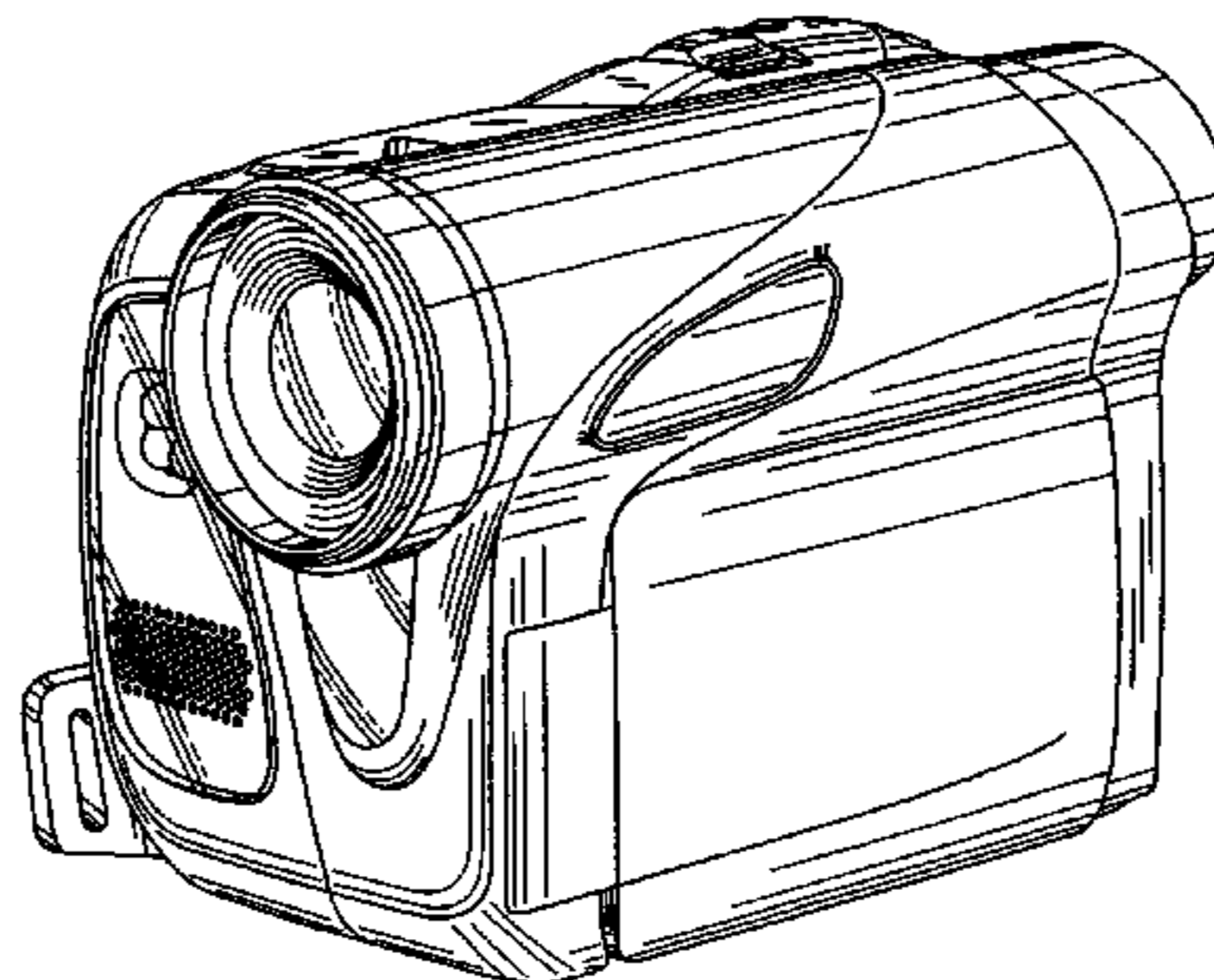


Fig. 1

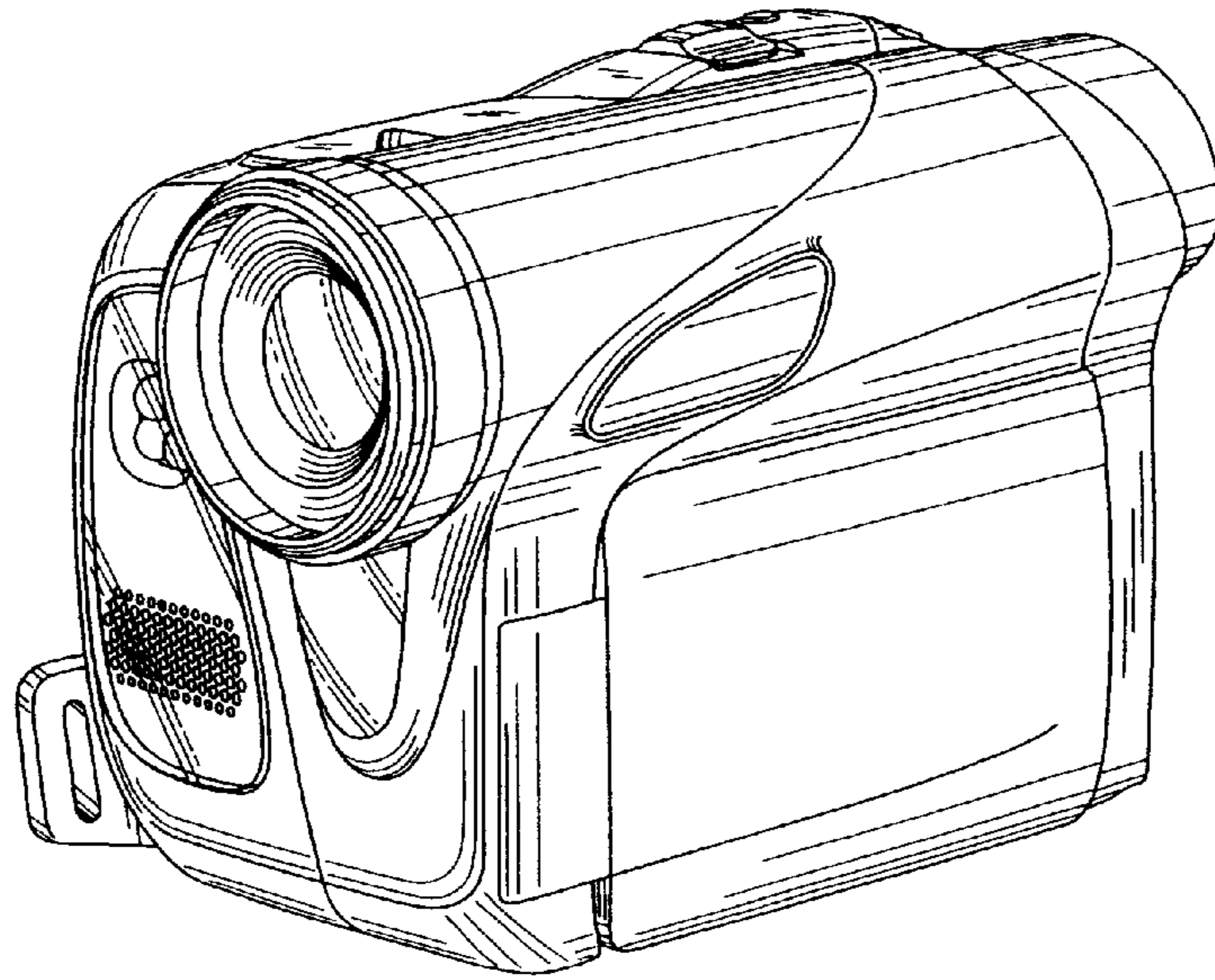


Fig. 2

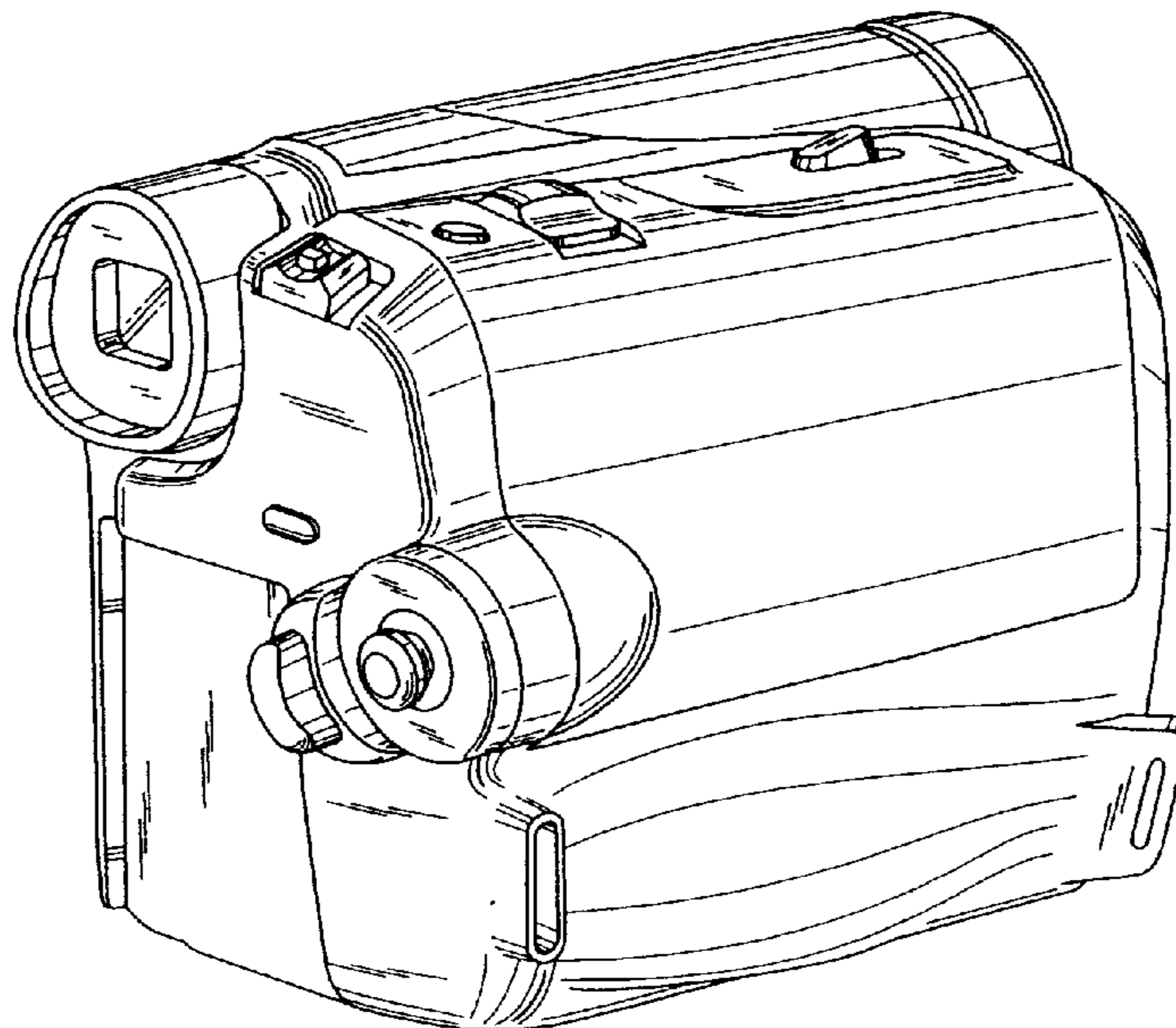


Fig. 3

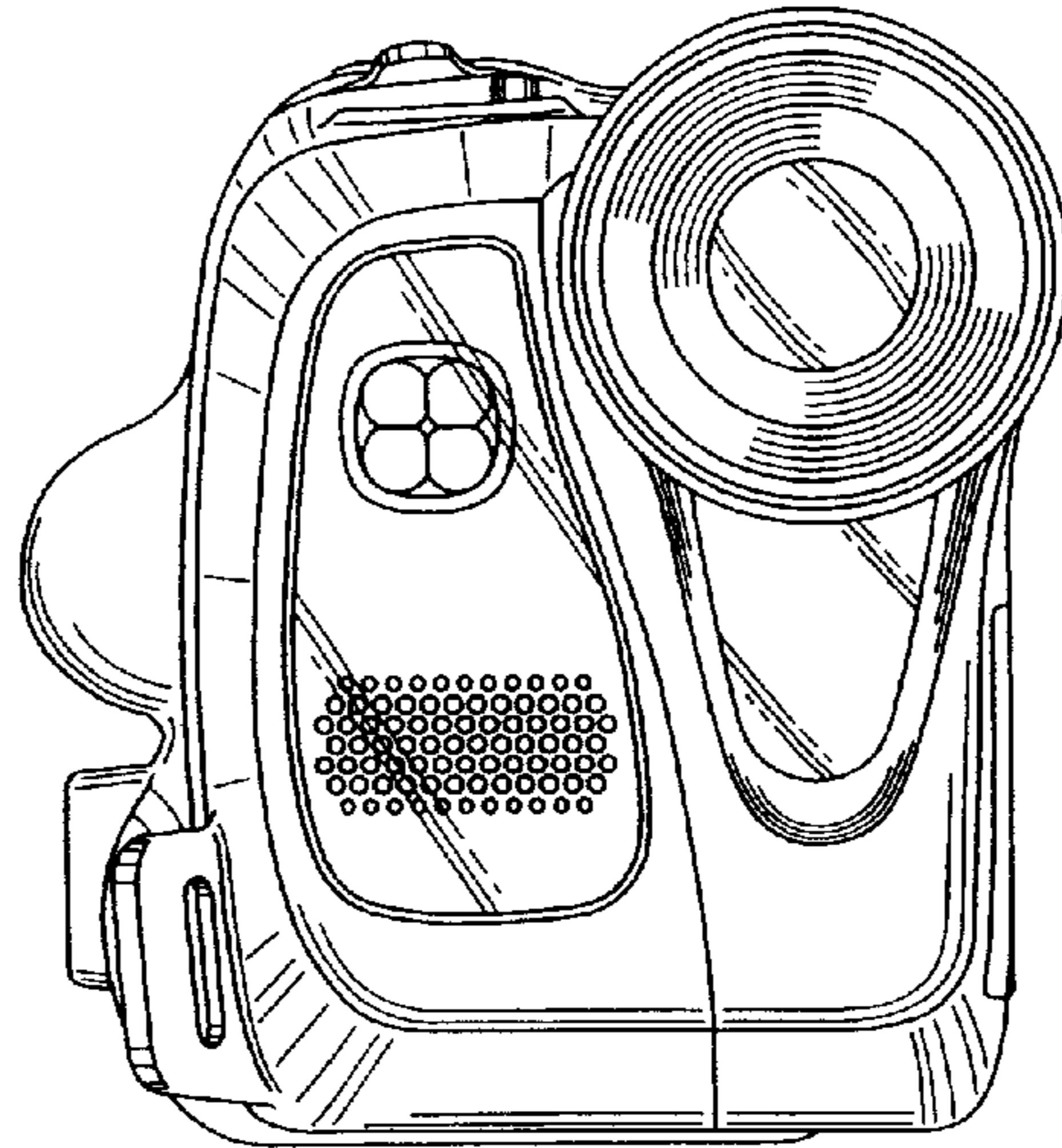


Fig. 4

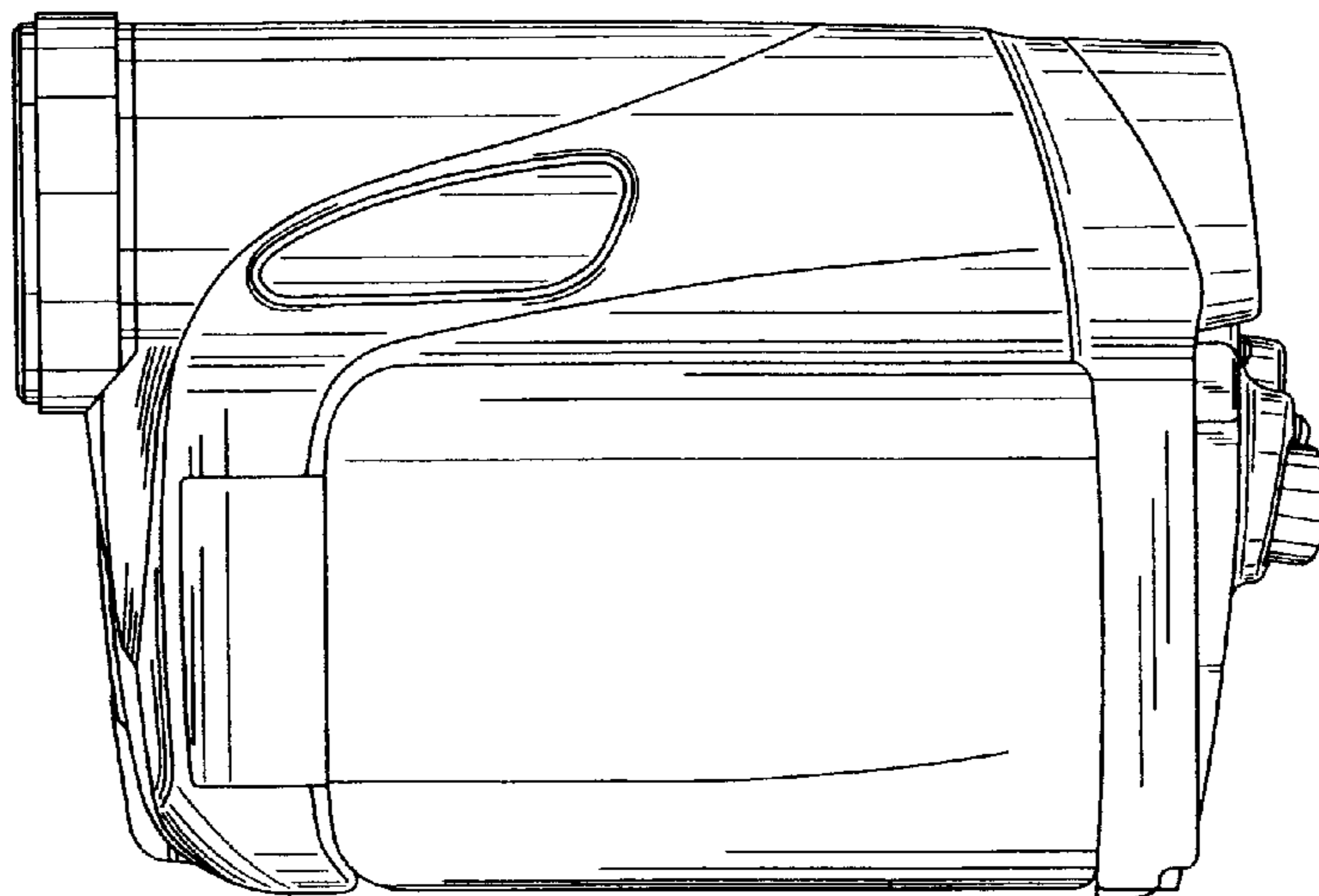


Fig.5

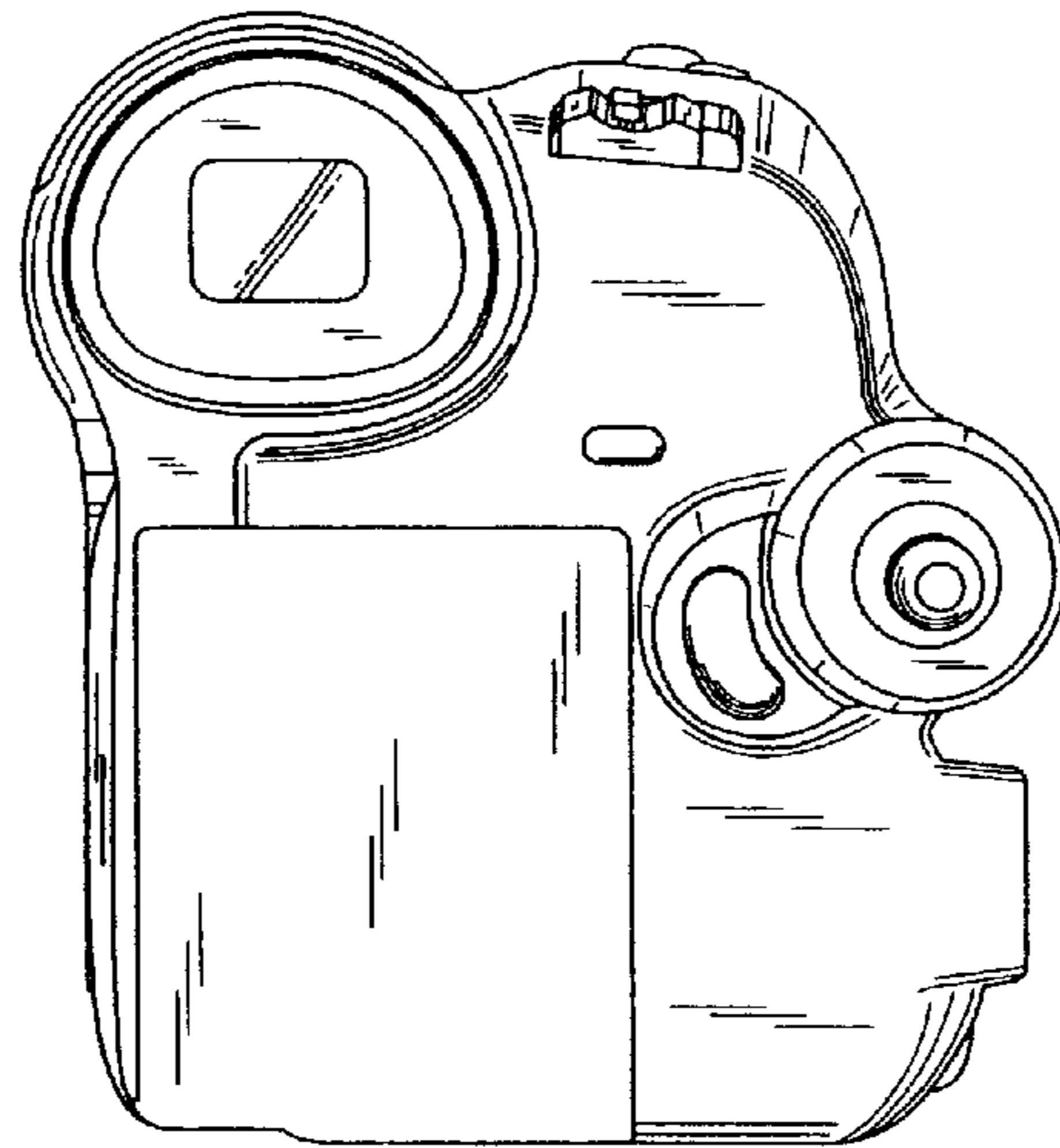


Fig.6

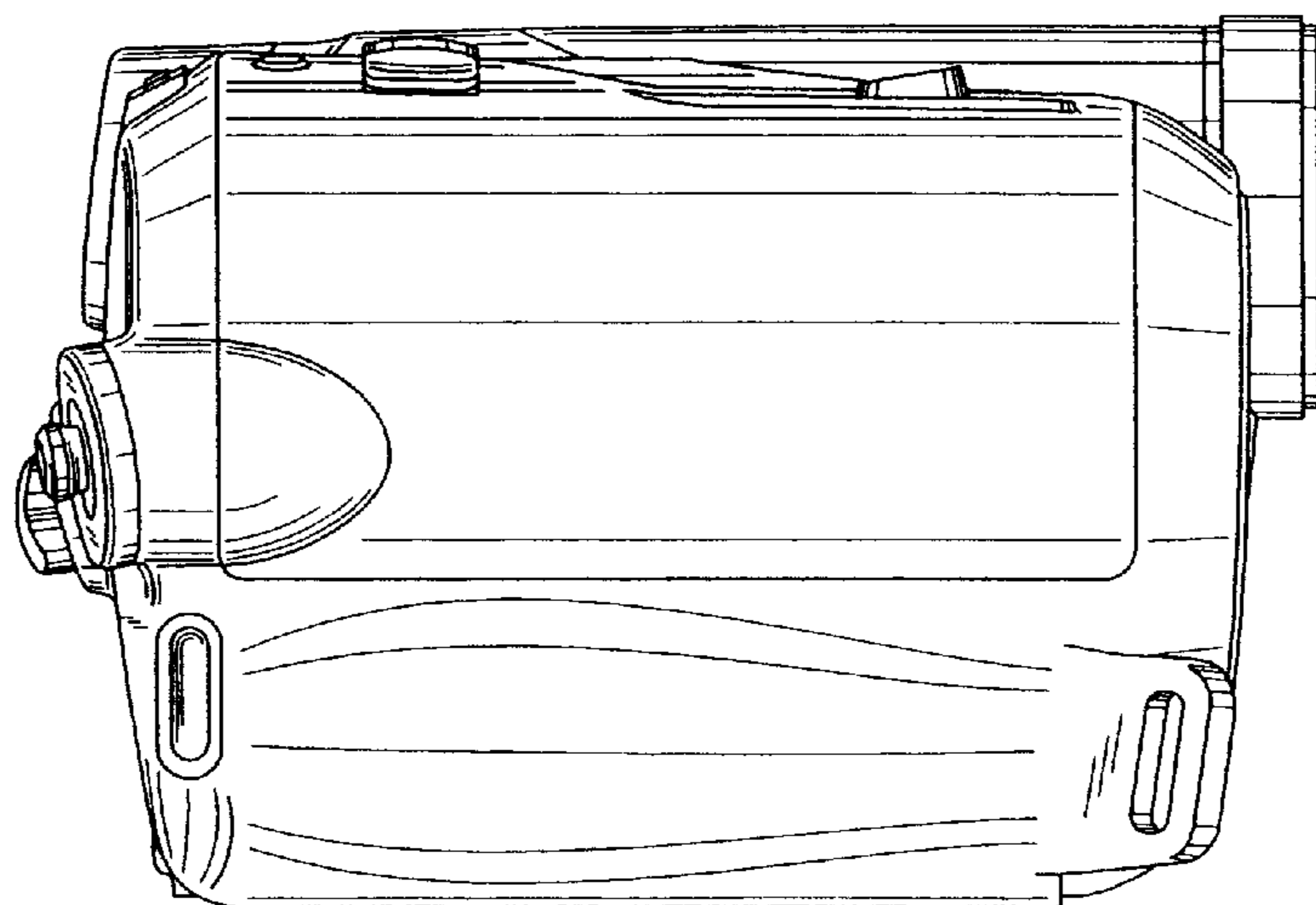


Fig7

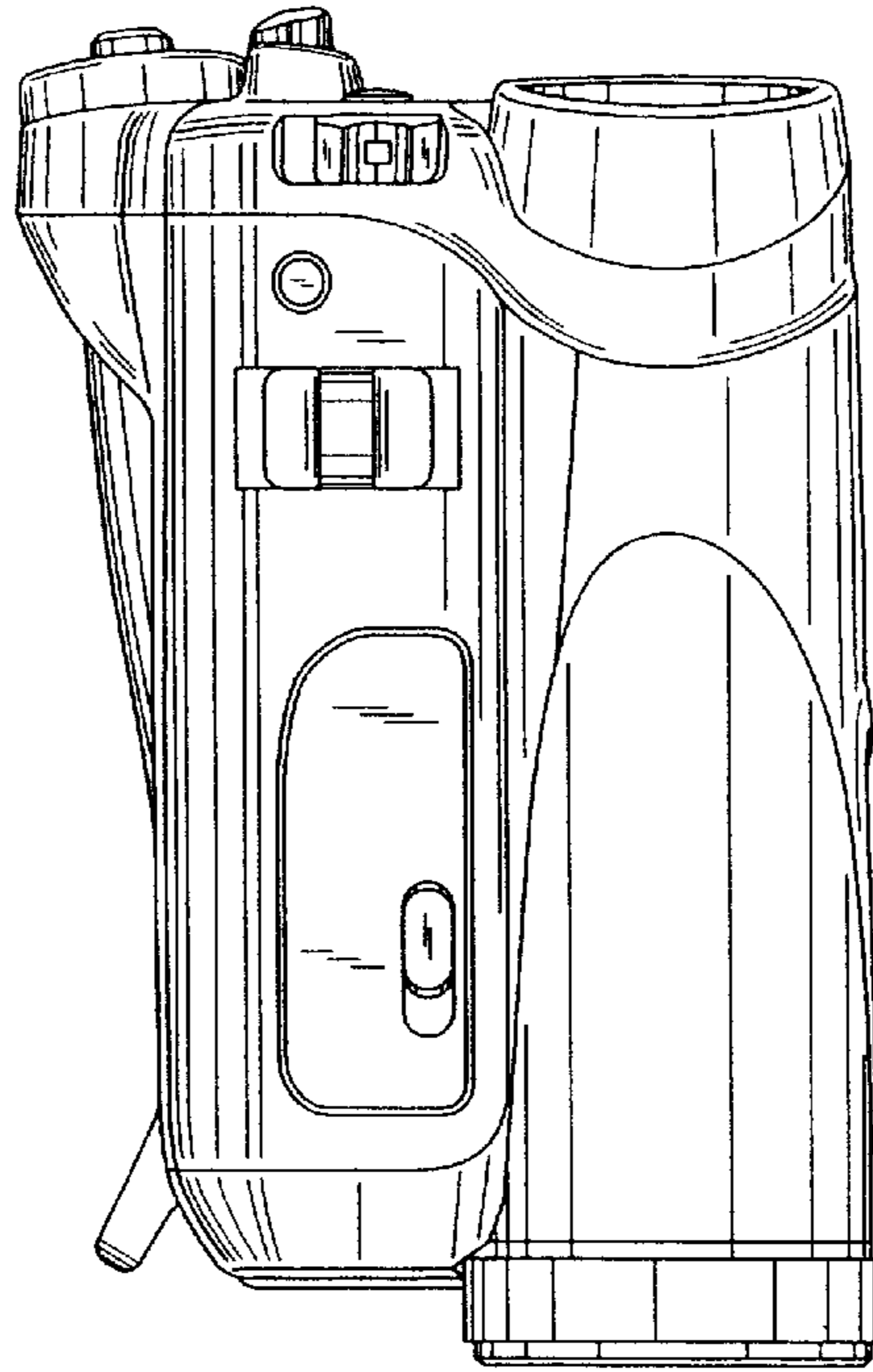


Fig8

