



US00D532804S

(12) **United States Design Patent**  
**Ono**

(10) **Patent No.:** **US D532,804 S**

(45) **Date of Patent:** **\*\* Nov. 28, 2006**

(54) **SPOTTING SCOPE EYEPIECE**

(75) Inventor: **Arata Ono**, Odawara (JP)

(73) Assignee: **Nikon Corporation**, Tokyo (JP)

(\*\*) Term: **14 Years**

(21) Appl. No.: **29/243,822**

(22) Filed: **Dec. 1, 2005**

(30) **Foreign Application Priority Data**

Aug. 17, 2005 (JP) ..... 2005-023790

(51) **LOC (8) Cl.** ..... **16-06**

(52) **U.S. Cl.** ..... **D16/135; D22/108**

(58) **Field of Classification Search** ..... D16/130,  
D16/132, 134, 135, 136; 359/227, 511, 702,  
359/703, 706, 701, 700, 699, 819, 823, 827,  
359/368, 396; D22/108, 109; 42/125, 127,  
42/129, 133; 248/165

See application file for complete search history.

(56) **References Cited**

**U.S. PATENT DOCUMENTS**

- 2,428,719 A \* 10/1947 Nemeth ..... 359/823
- D194,004 S \* 11/1962 Hoogesteger et al. .... D16/132
- 3,112,570 A \* 12/1963 De Vasconcellos ..... 434/303
- 3,138,060 A \* 6/1964 Eggert et al. .... 359/702

- 3,456,351 A \* 7/1969 Gehmann ..... 42/133
- D264,851 S \* 6/1982 Huckenbeck ..... D16/134
- D274,336 S \* 6/1984 Huckenbeck ..... D16/132
- D308,982 S \* 7/1990 Moore ..... D16/132
- D313,607 S \* 1/1991 Moore ..... D16/132
- 5,054,886 A \* 10/1991 Ozaki et al. .... 359/823
- D328,753 S \* 8/1992 Surber ..... D16/136
- 5,787,630 A \* 8/1998 Martel ..... 42/125
- 6,995,927 B1 \* 2/2006 Onda ..... 359/699

\* cited by examiner

*Primary Examiner*—Paula A. Greene

(74) *Attorney, Agent, or Firm*—Oliff & Berridge, PLC

(57) **CLAIM**

The ornamental design for a spotting scope eyepiece, as shown and described.

**DESCRIPTION**

FIG. 1 is a front perspective view of a spotting scope eyepiece showing my new design;  
 FIG. 2 is a front elevational view thereof;  
 FIG. 3 is a rear elevational view thereof;  
 FIG. 4 is a left side view, the right side view being a mirror image of the left side view thereof; and,  
 FIG. 5 is a bottom plan view, the top plan view being a mirror image of the bottom plan view.

**1 Claim, 3 Drawing Sheets**

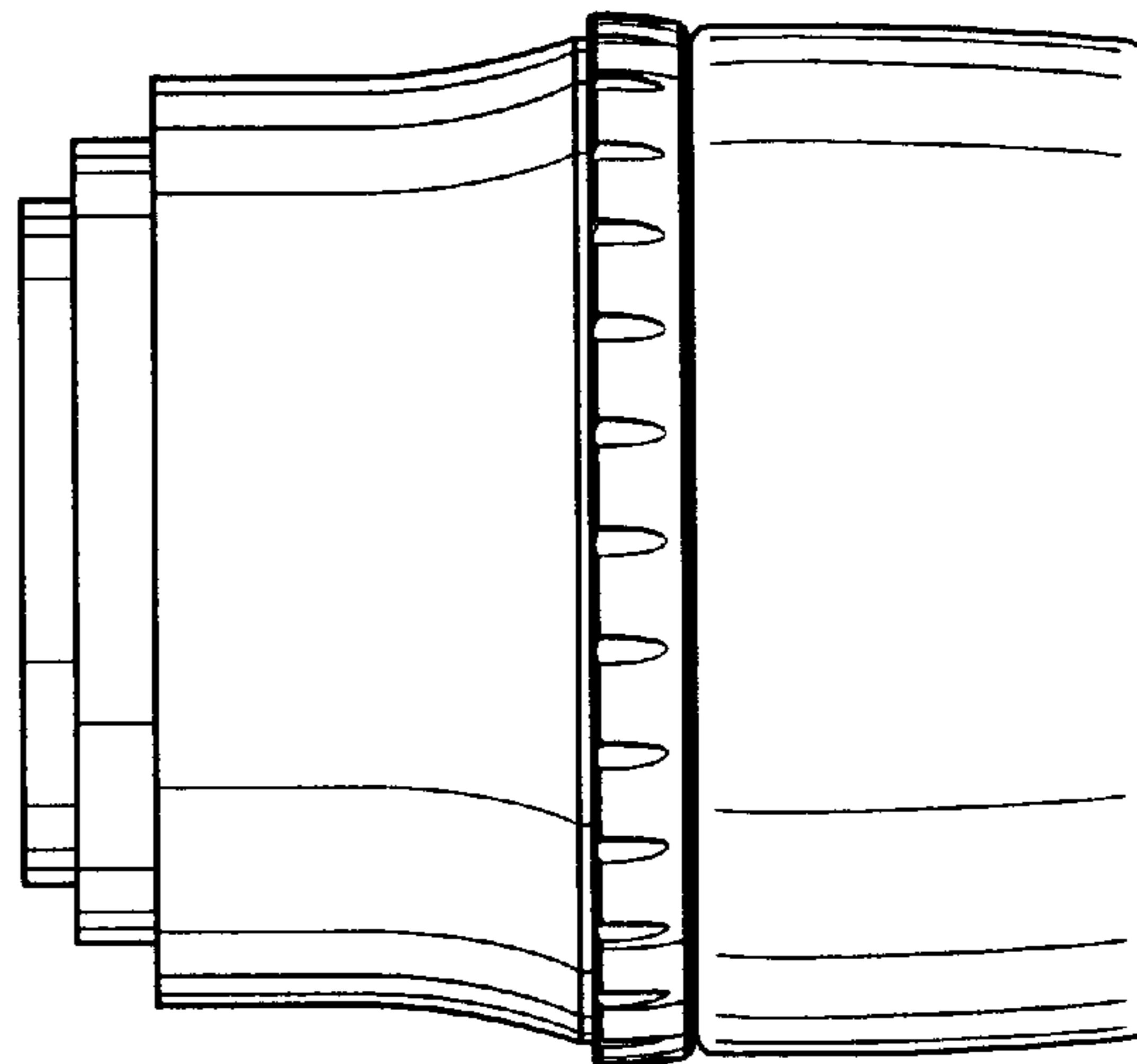
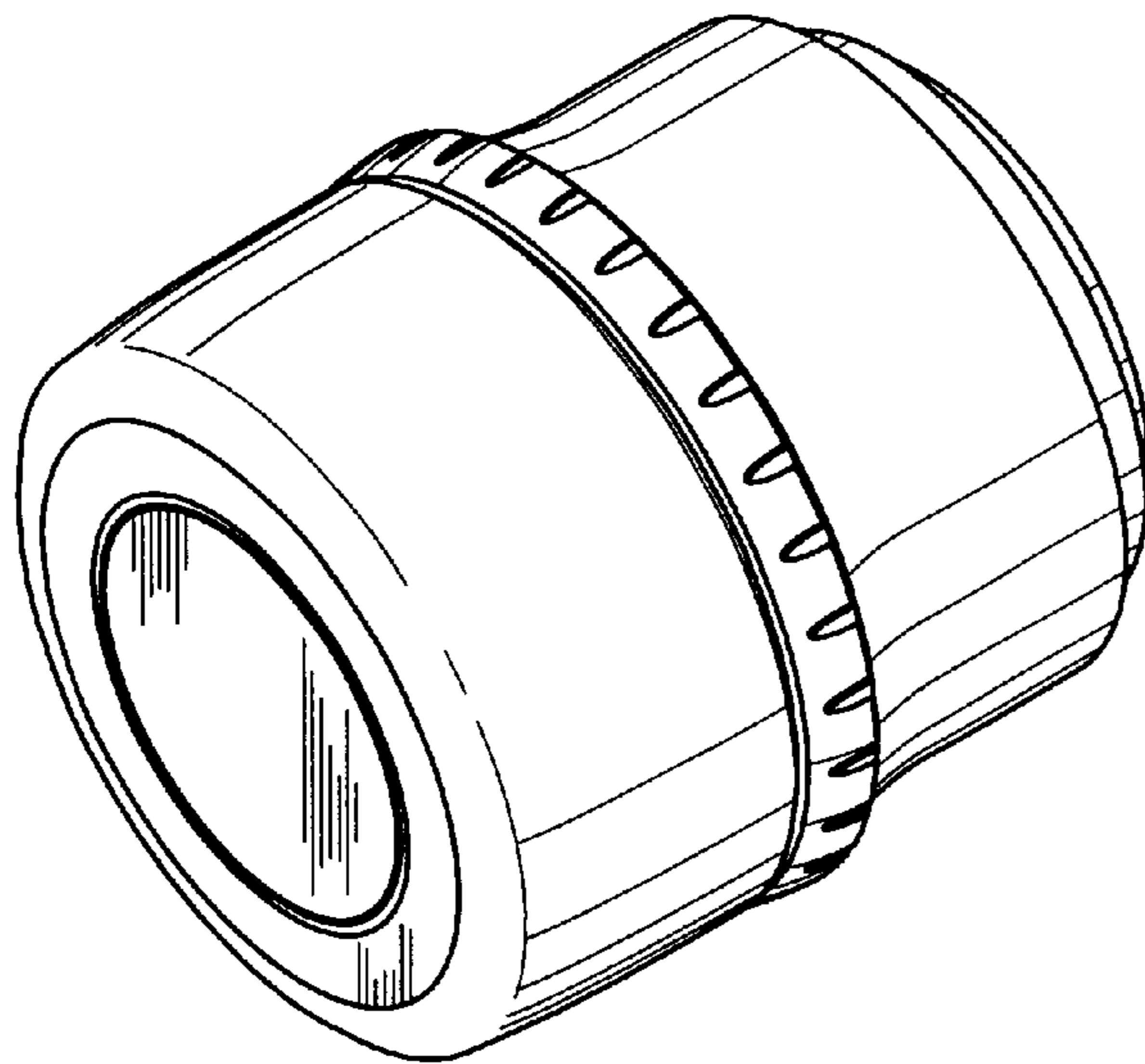


FIG. 1

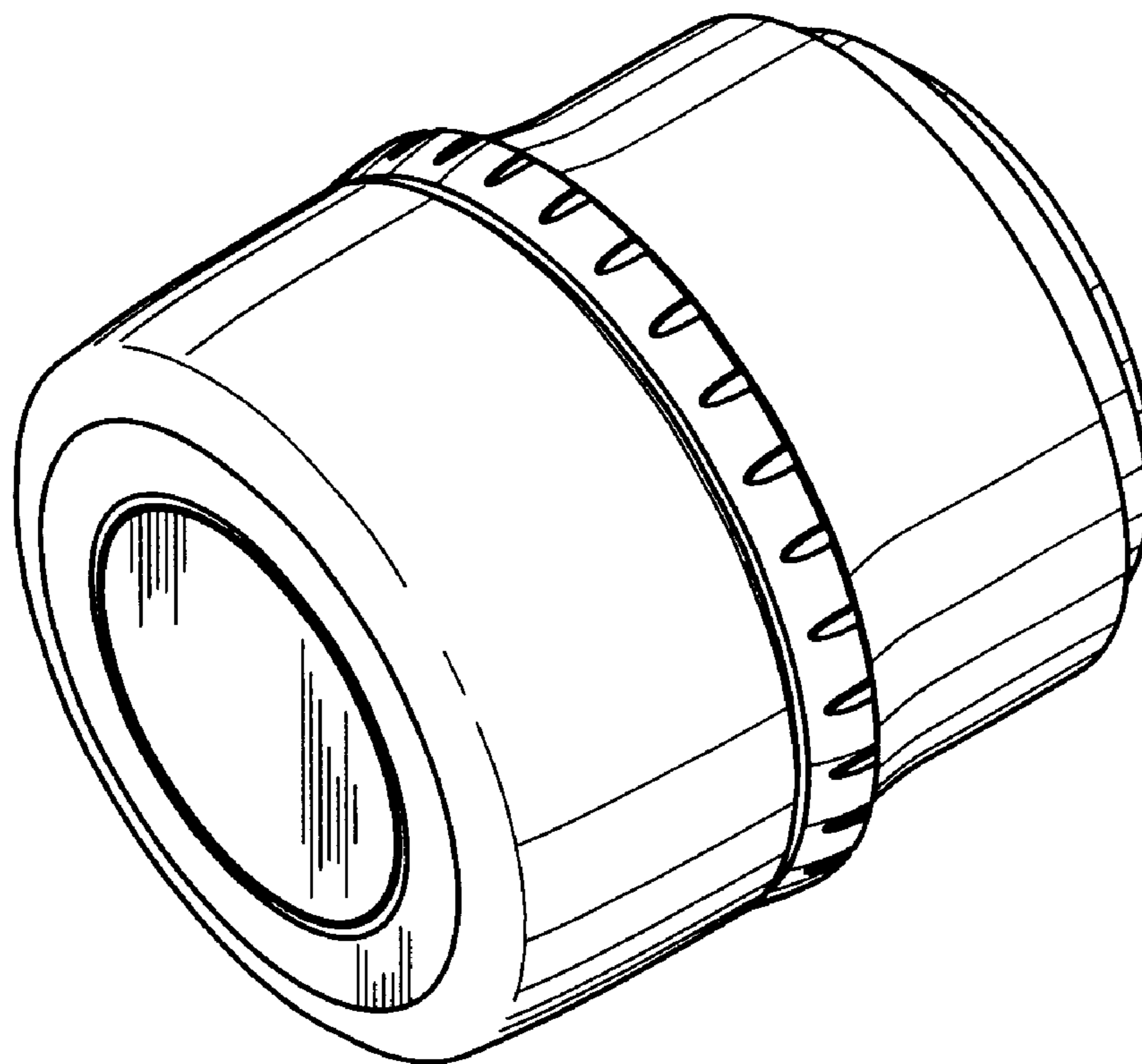


FIG. 2

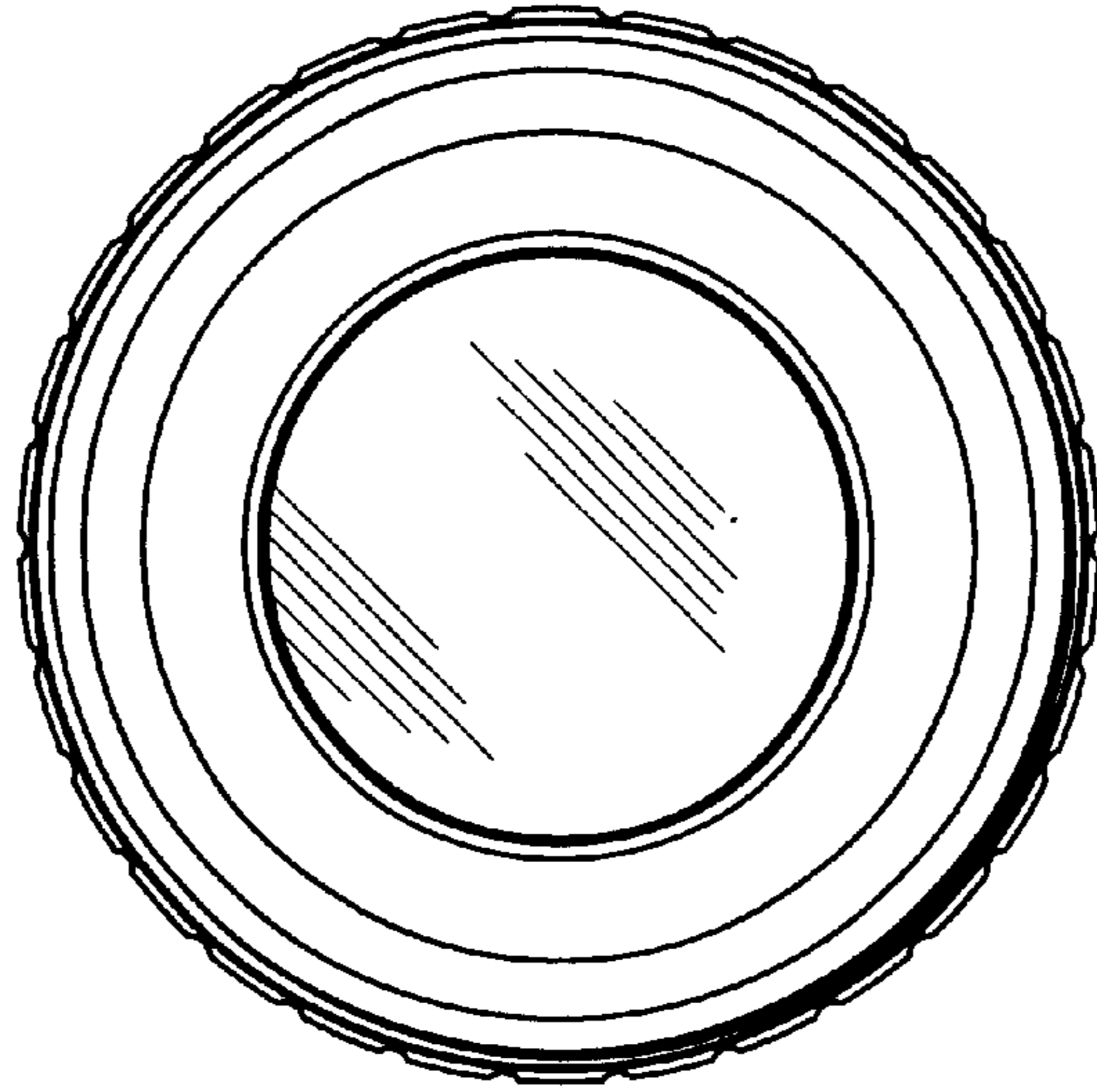


FIG. 3

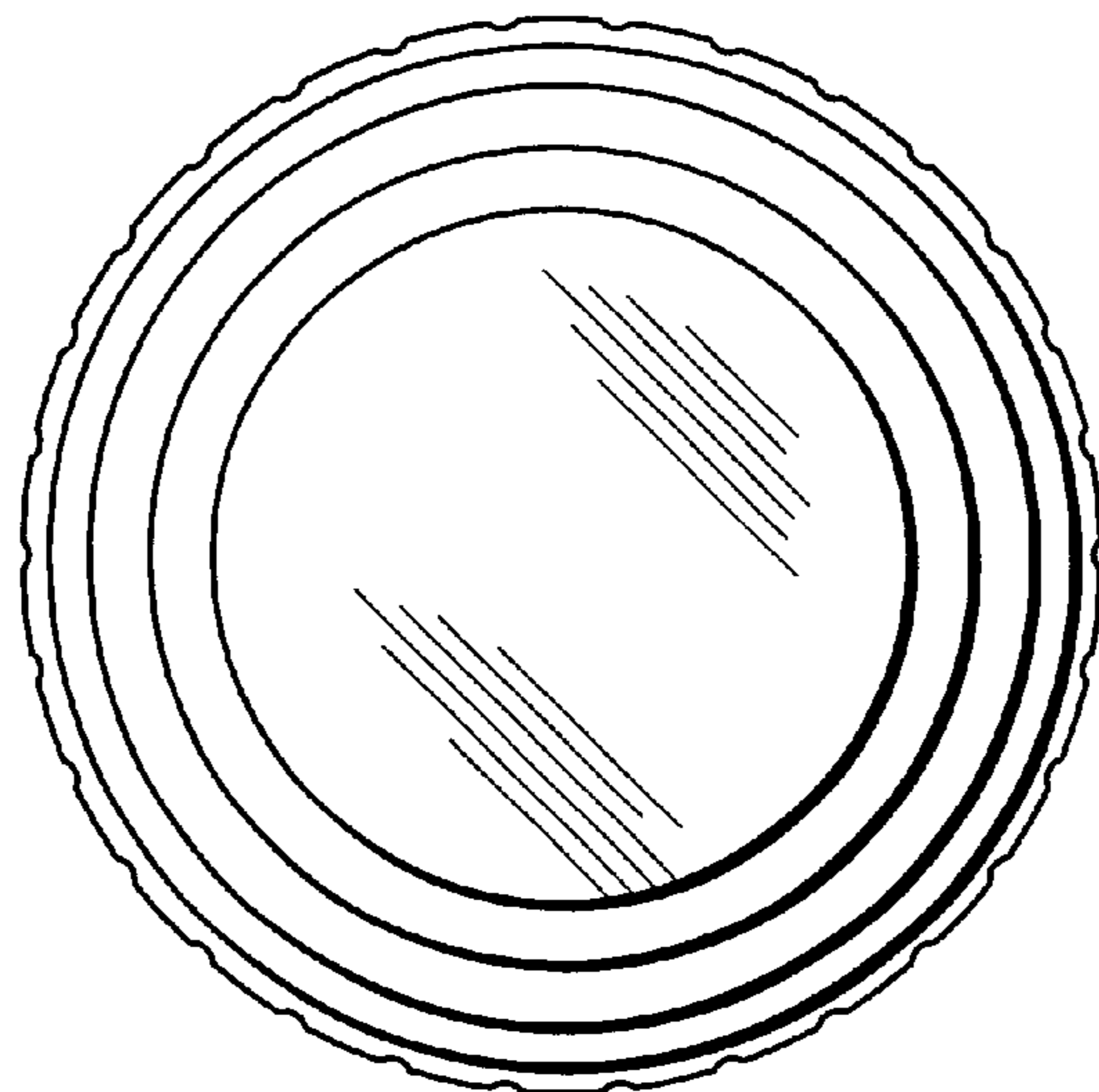


FIG. 4

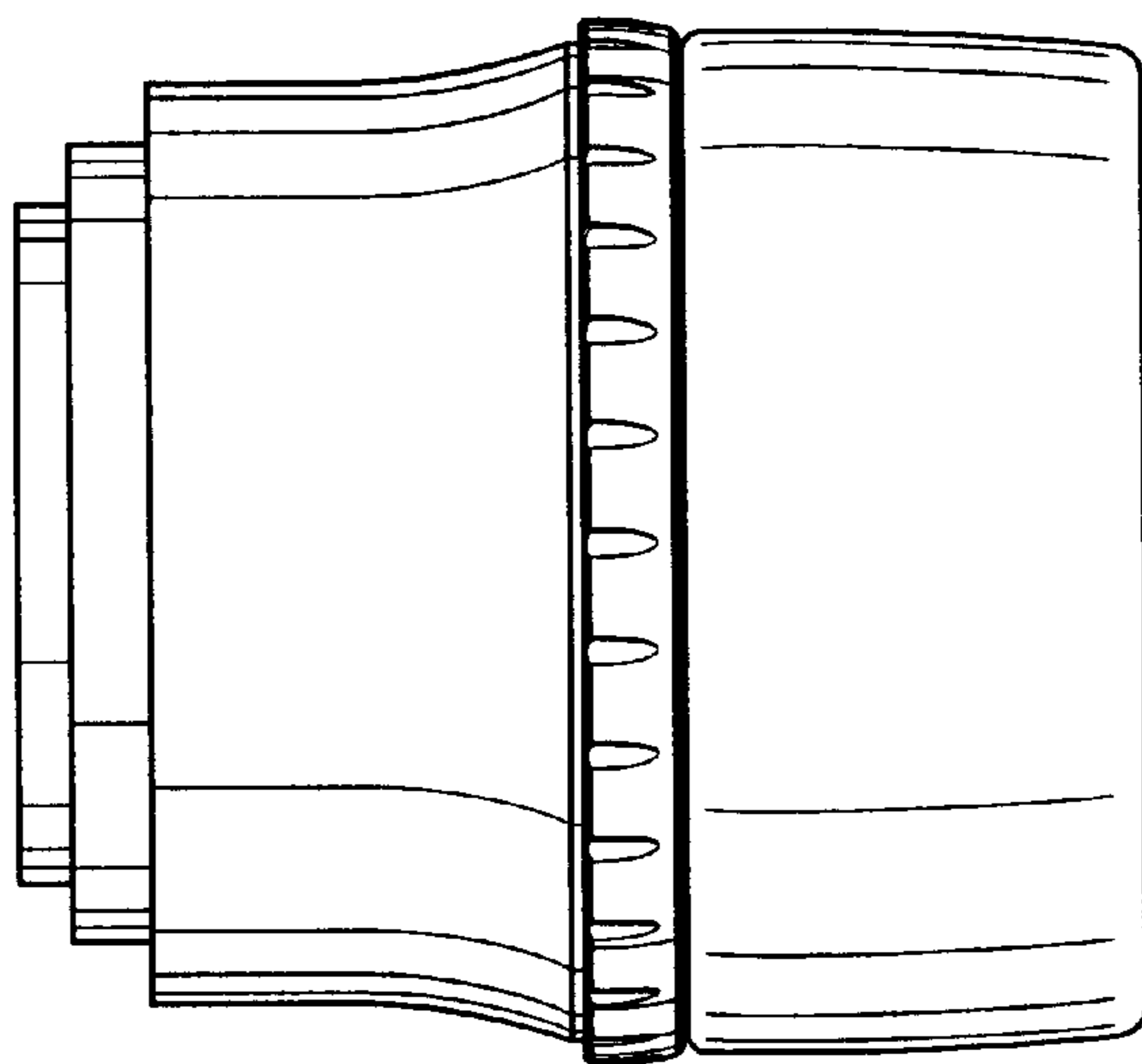


FIG. 5

