



US00D532803S

(12) **United States Design Patent**
Regan et al.

(10) **Patent No.:** **US D532,803 S**

(45) **Date of Patent:** **** Nov. 28, 2006**

(54) **COMPACT SPOTTING SCOPE**

(75) Inventors: **Rick R. Regan**, Aloha, OR (US);
Rodney H. Otteman, Aloha, OR (US);
Erik R. Halverson, Salem, OR (US)

(73) Assignee: **Leupold & Stevens, Inc.**, Beaverton,
OR (US)

(**) Term: **14 Years**

(21) Appl. No.: **29/245,366**

(22) Filed: **Dec. 21, 2005**

Related U.S. Application Data

(62) Division of application No. 29/222,808, filed on Feb. 4,
2005, now Pat. No. Des. 519,537, which is a division of
application No. 29/203,602, filed on Apr. 15, 2004, now Pat.
No. Des. 512,449, which is a division of application No.
29/180,735, filed on Apr. 28, 2003, now Pat. No. Des.
490,097.

(51) **LOC (8) Cl.** **16-06**

(52) **U.S. Cl.** **D16/132**

(58) **Field of Classification Search** D16/130,
D16/132; 359/399, 402, 408, 409, 422, 431,
359/426, 429, 825, 826, 831, 835; D22/109
See application file for complete search history.

(56) **References Cited**

U.S. PATENT DOCUMENTS

872,120	A	*	11/1907	Gray	359/399
2,051,050	A		8/1936	Langsner		
D148,017	S		12/1947	Flint		
D165,231	S		11/1951	Kieffer, III et al.		
3,064,532	A	*	11/1962	Lescher et al.	359/399
D202,526	S		10/1965	Maguire		
D215,355	S		9/1969	Weatherby		
D219,623	S		12/1970	Bushnell		
D247,625	S		3/1978	Huckenbeck		
D272,916	S		3/1984	Tomatsuri et al.		
D285,698	S		9/1986	Ogasawara		
D288,210	S		2/1987	Mise		
4,669,833	A		6/1987	Mise		
D347,441	S		5/1994	Lutter et al.		
D395,440	S		6/1998	Ogasawara et al.		

D439,259	S	3/2001	Yamaguchi
D490,097	S	5/2004	Regan et al.
D512,449	S	12/2005	Regan et al.
2004/0212878	A1	10/2004	Regan et al.

OTHER PUBLICATIONS

American Technologies Network Corporation, NightStorm
Waterproof Night Vision Diving Scope, http://www.southwestweapons.com/atn_nightstormyellow.html, visited Feb.
18, 2003.

Burriss Optics, Spotting Scopes, <http://www.burrissoptics.com/spottingscope.html>, visited Feb. 18, 2003.

* cited by examiner

Primary Examiner—Paula A. Greene

(74) *Attorney, Agent, or Firm*—Stoel Rives LLP

(57) **CLAIM**

We claim the ornamental design for a compact spotting
scope, as shown and described.

DESCRIPTION

FIG. 1 is a perspective view of a compact spotting scope
body, in which dashed lines indicate environmental features
of a mounting boss and threaded hole, a lanyard mount,
a side focus knob, an objective lens attachment, and an
eyepiece lens attachment;

FIG. 2 is an objective end elevation view of the compact
spotting scope body of FIG. 1;

FIG. 3 is an eyepiece end elevation view of the compact
spotting scope body of FIG. 1, in which dashed lines near the
eyepiece end indicate environmental features of surface
indicia;

FIG. 4 is a top plan view of the compact spotting scope
body of FIG. 1;

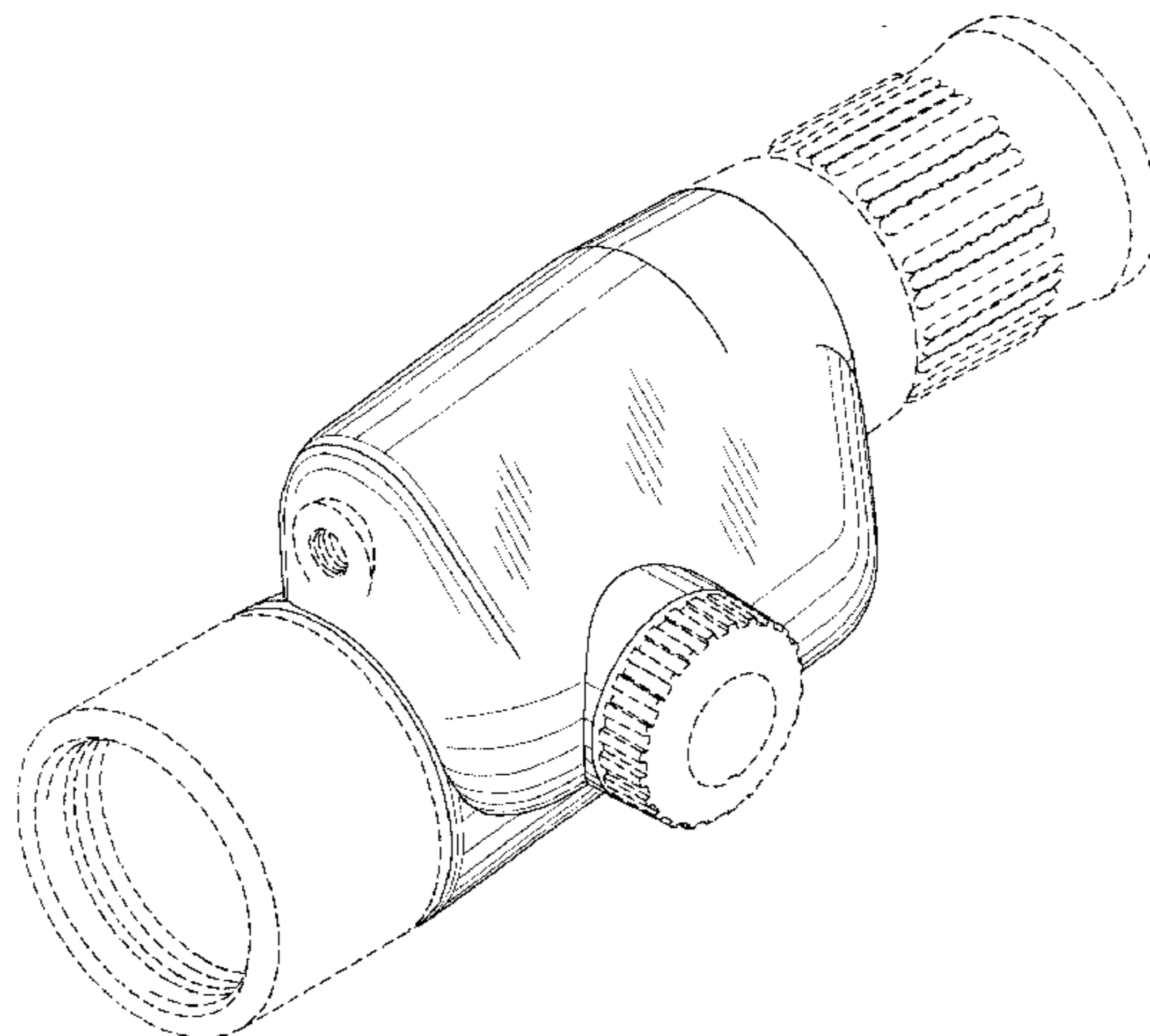
FIG. 5 is a left side elevation view of the compact spotting
scope body of FIG. 1;

FIG. 6 is a bottom plan view of the compact spotting scope
body of FIG. 1; and,

FIG. 7 is a right side elevation view of the compact spotting
scope body of FIG. 1.

In FIGS. 1–7, the dashed lines indicate environmental
structure that forms no part of the claimed design.

1 Claim, 2 Drawing Sheets



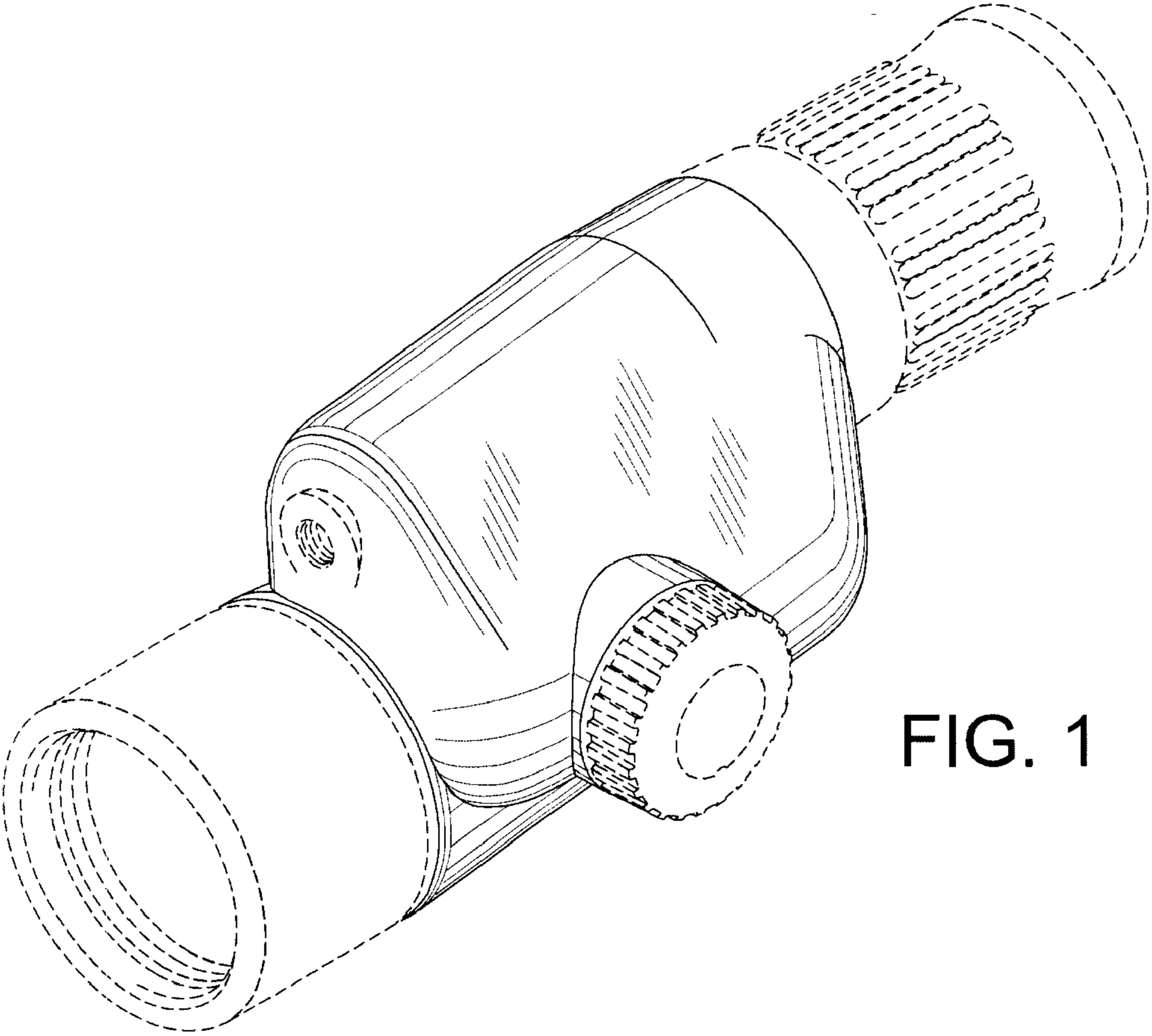
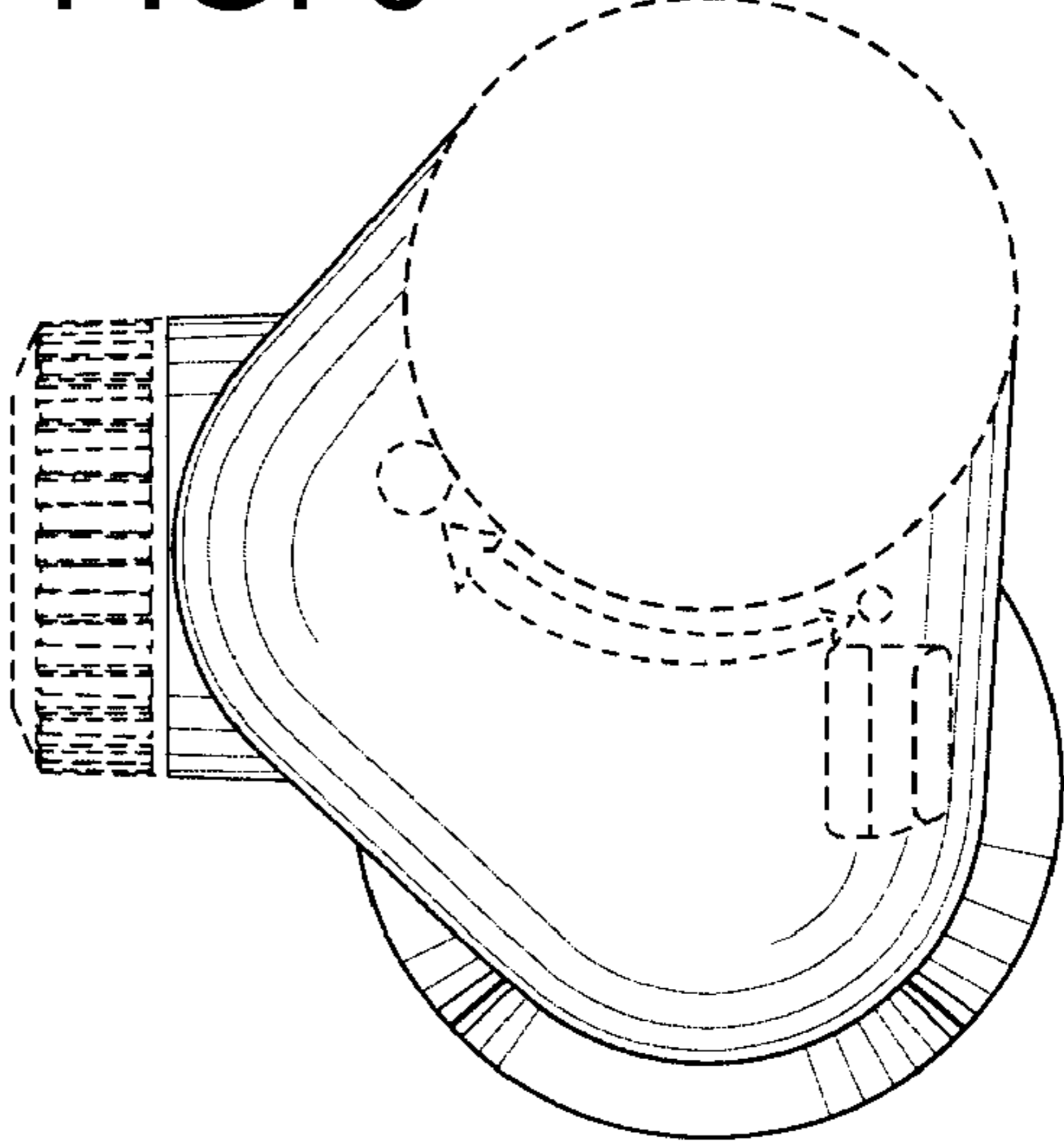
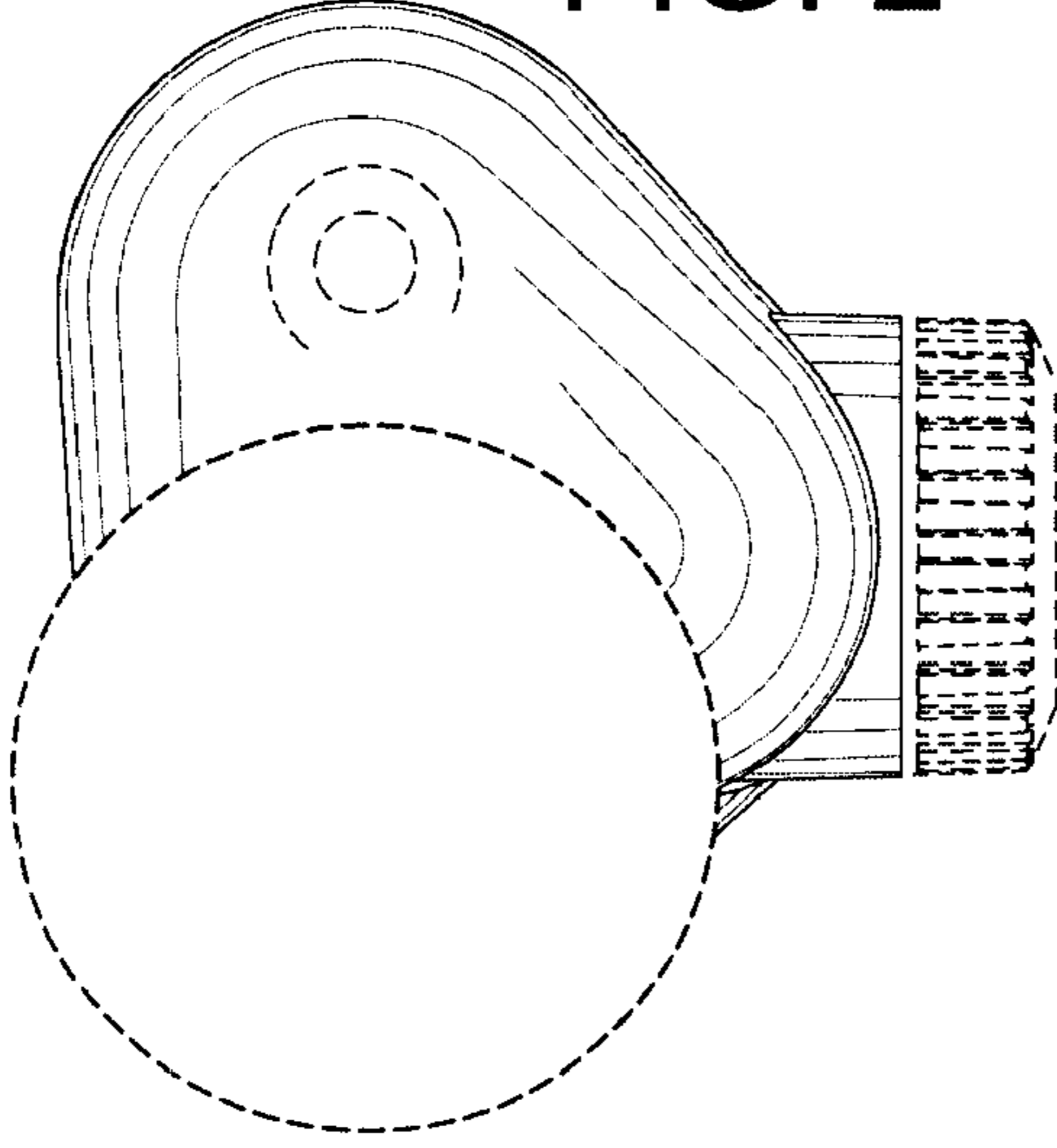


FIG. 1

FIG. 2

FIG. 3



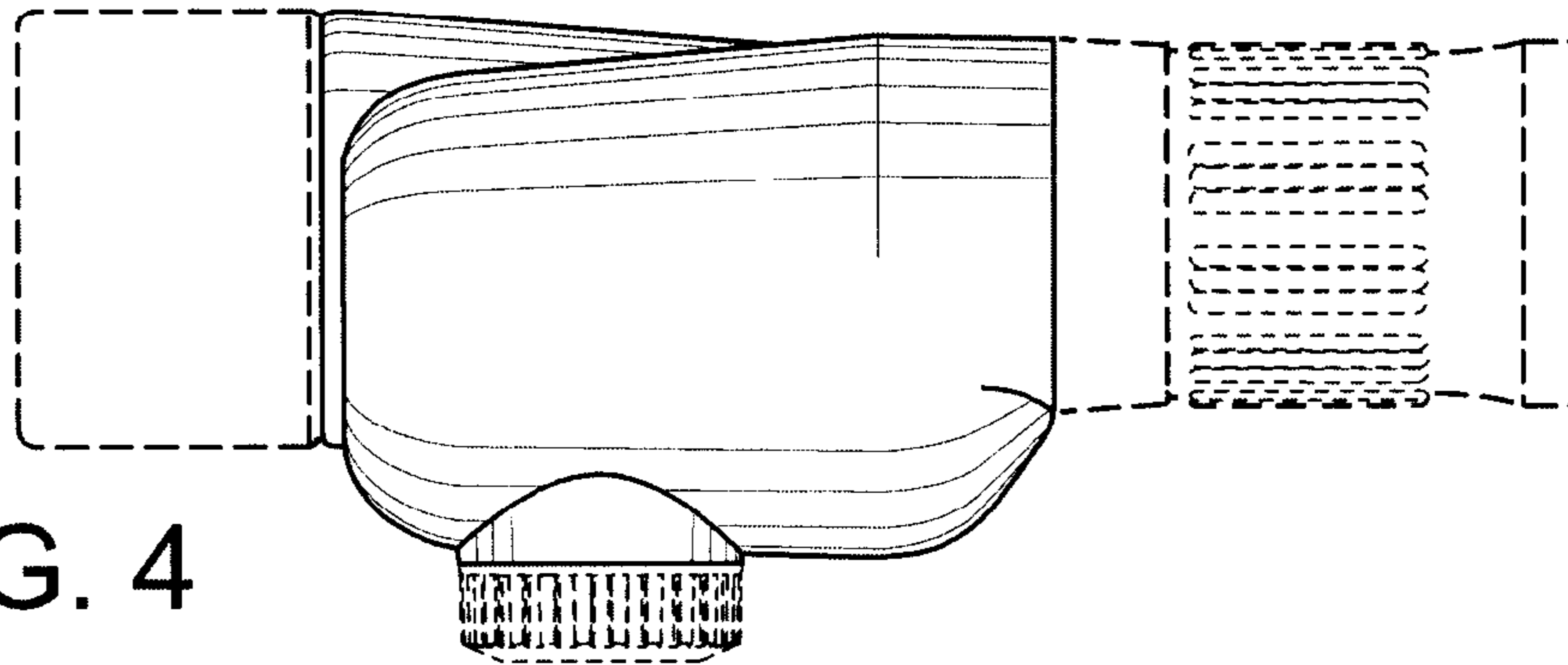


FIG. 4

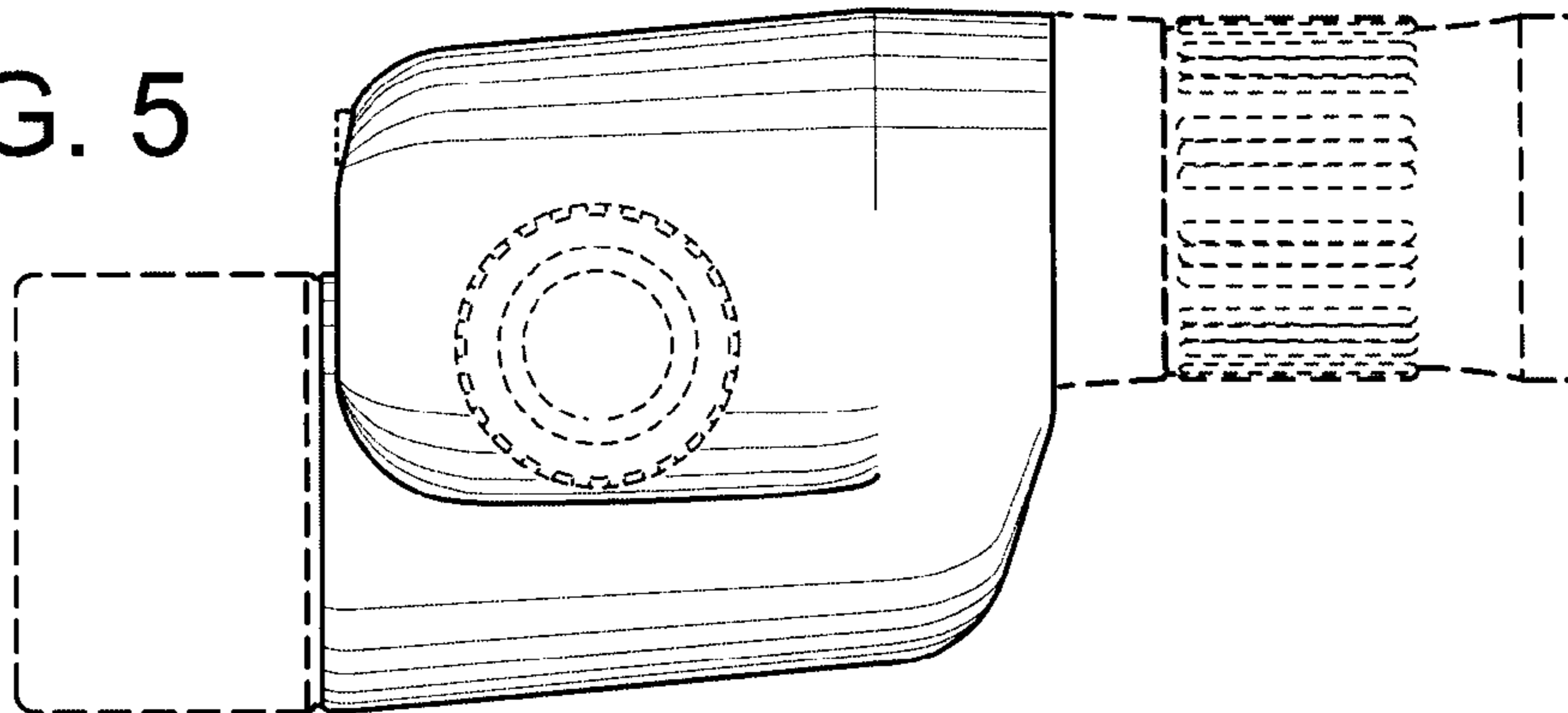


FIG. 5

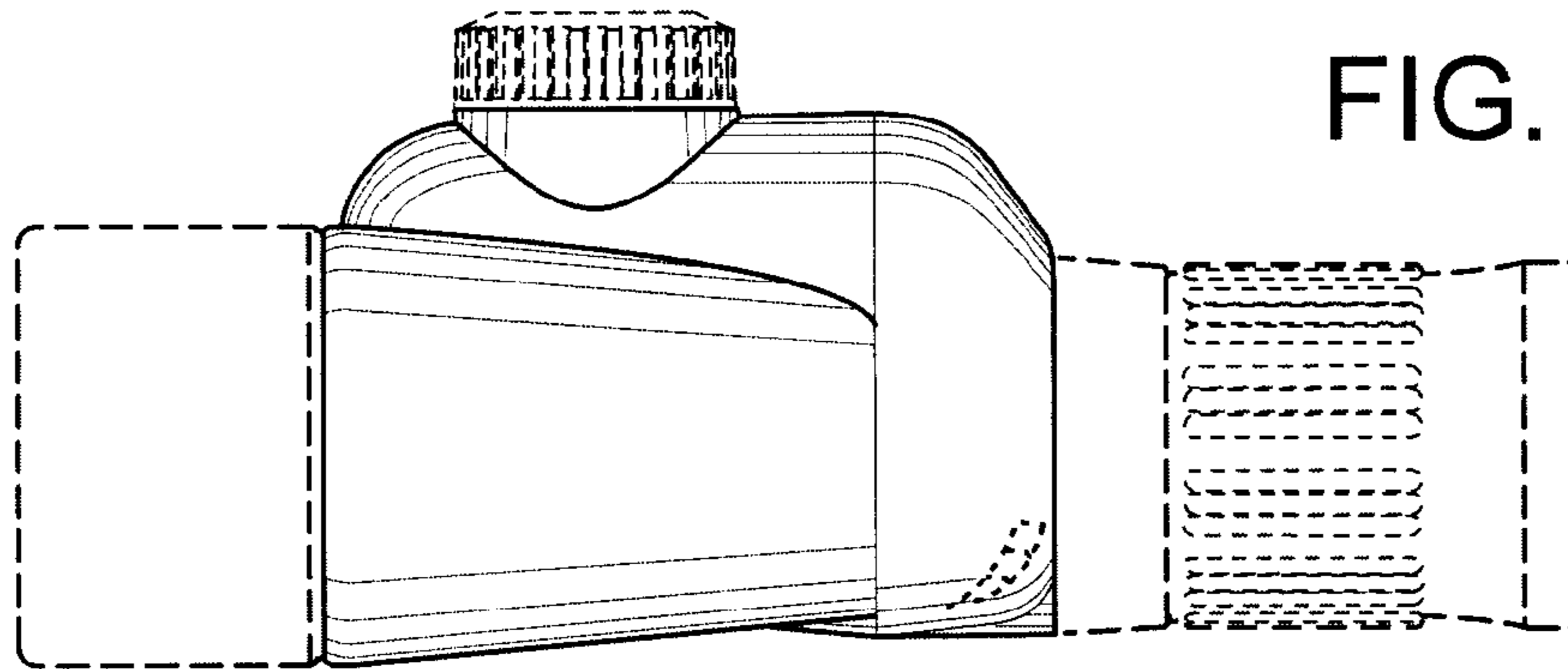


FIG. 6

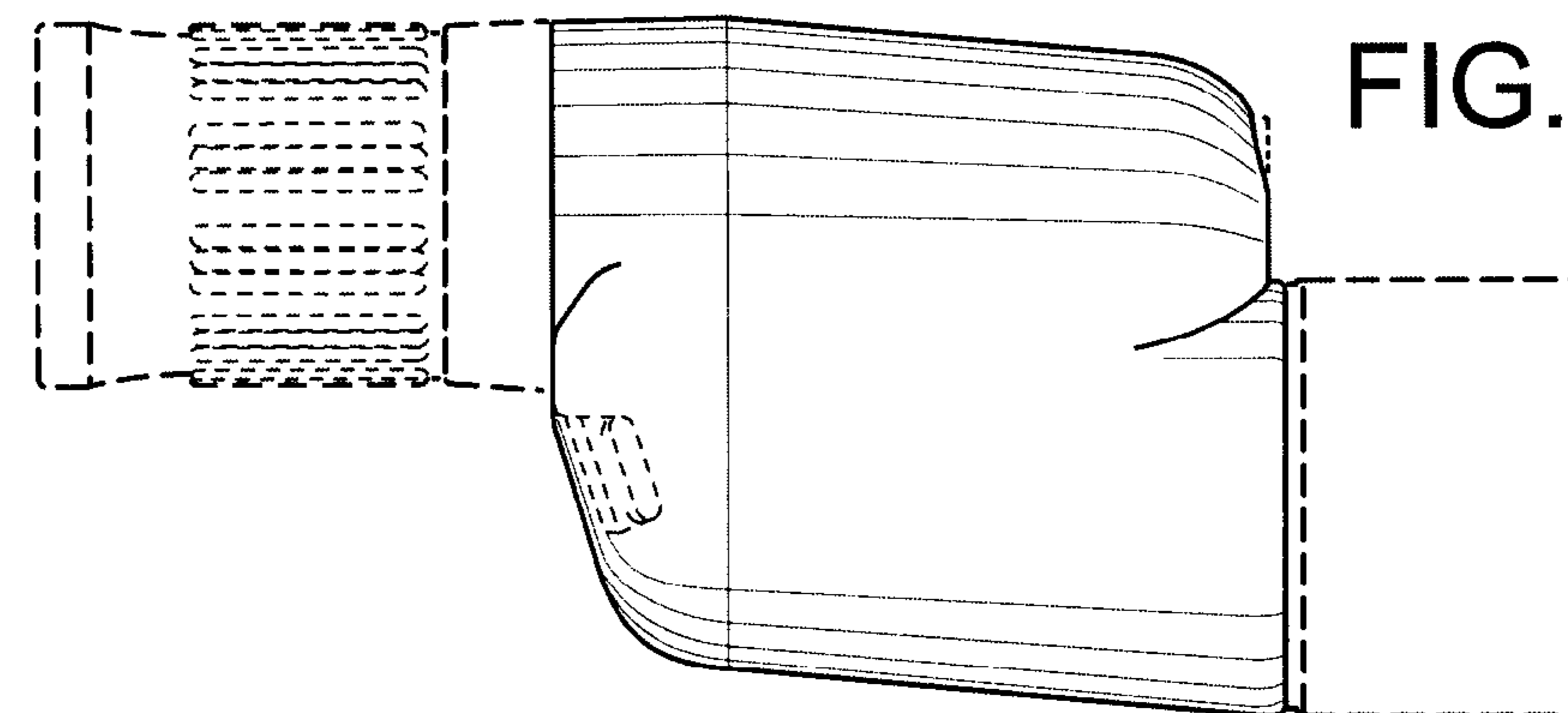


FIG. 7