



US00D532801S

(12) **United States Design Patent**
Wright

(10) **Patent No.:** **US D532,801 S**

(45) **Date of Patent:** **** Nov. 28, 2006**

(54) **SAW**
(75) **Inventor:** **Stuart J. Wright**, Timonium, MD (US)
(73) **Assignee:** **Black & Decker Inc.**, Newark, DE (US)
(**) **Term:** **14 Years**

D454,577 S * 3/2002 Meredith et al. D15/133
D479,251 S * 9/2003 Wright D15/133

* cited by examiner

Primary Examiner—Antoine D. Davis
Assistant Examiner—Patricia Palasik
(74) *Attorney, Agent, or Firm*—Adan Ayala

(21) **Appl. No.:** **29/252,975**
(22) **Filed:** **Jan. 31, 2006**

(57) **CLAIM**

The ornamental design for a saw, as shown and described.

(51) **LOC (8) Cl.** **15-09**
(52) **U.S. Cl.** **D15/133**
(58) **Field of Classification Search** D8/64,
D8/67, 68, 69; D15/133; 30/377-378, 388-391,
30/473, 477, 490, 517-525; 83/471.2-471.3,
83/472, 477.1-477.2, 581
See application file for complete search history.

DESCRIPTION

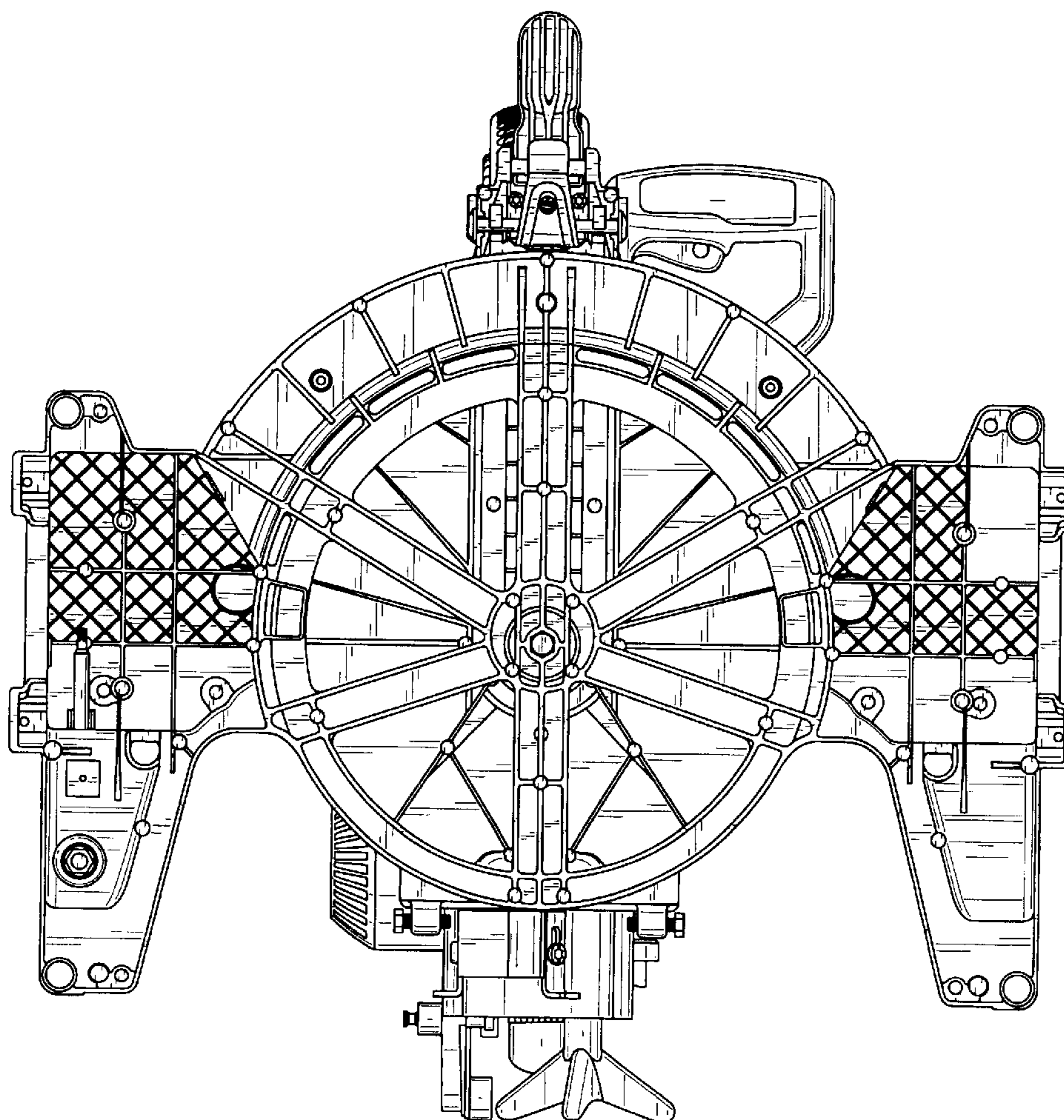
FIG. 1 is a perspective view of a saw according to the invention.
FIG. 2 is a front elevational view thereof.
FIG. 3 is a rear elevational view thereof.
FIG. 4 is a left elevational view thereof.
FIG. 5 is a right elevational view thereof.
FIG. 6 is a top plan view thereof; and,
FIG. 7 is a bottom plan view thereof.

(56) **References Cited**

U.S. PATENT DOCUMENTS

D441,771 S * 5/2001 Bean et al. D15/133

1 Claim, 7 Drawing Sheets



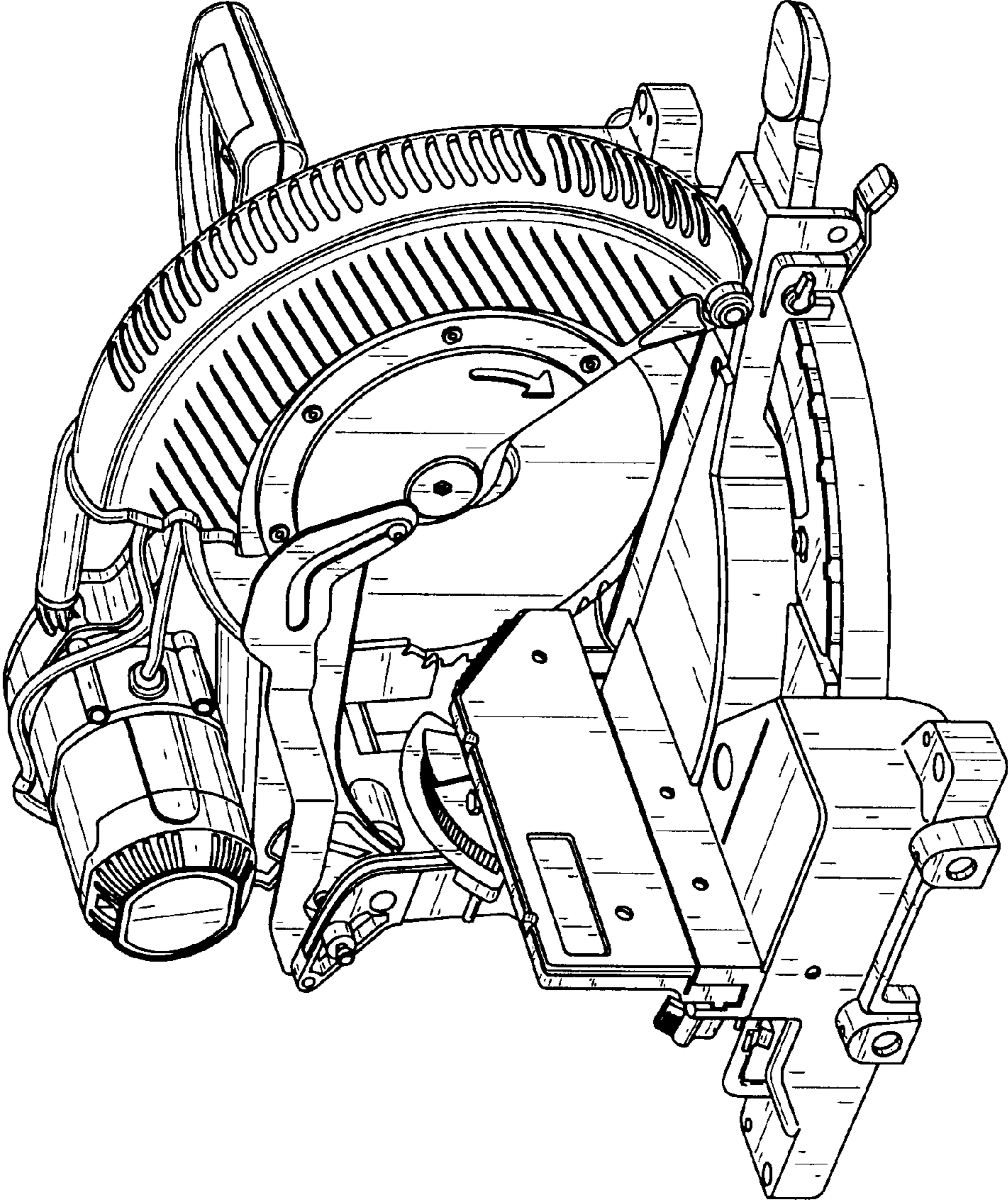


FIG. 1

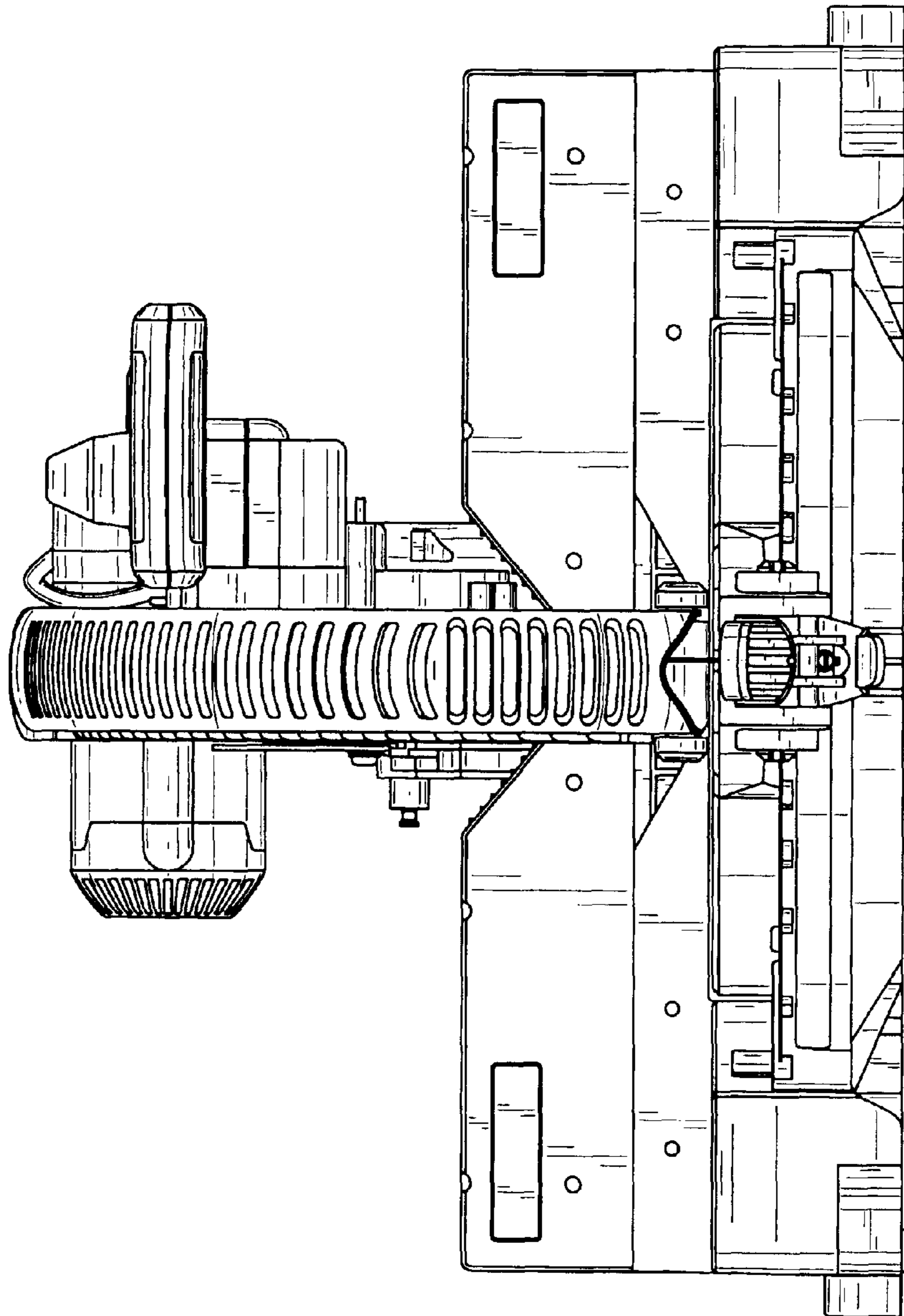


FIG. 2

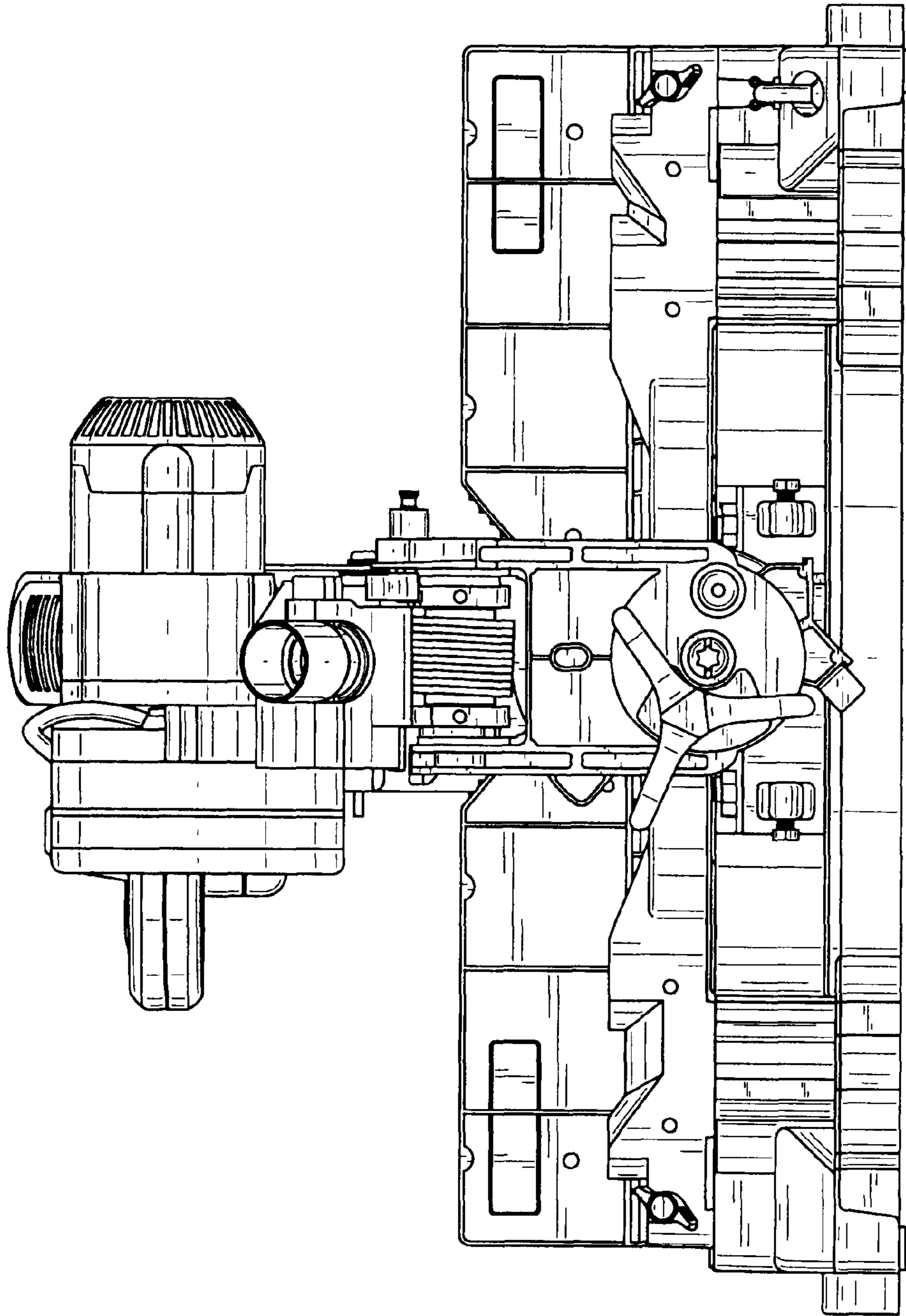


FIG. 3

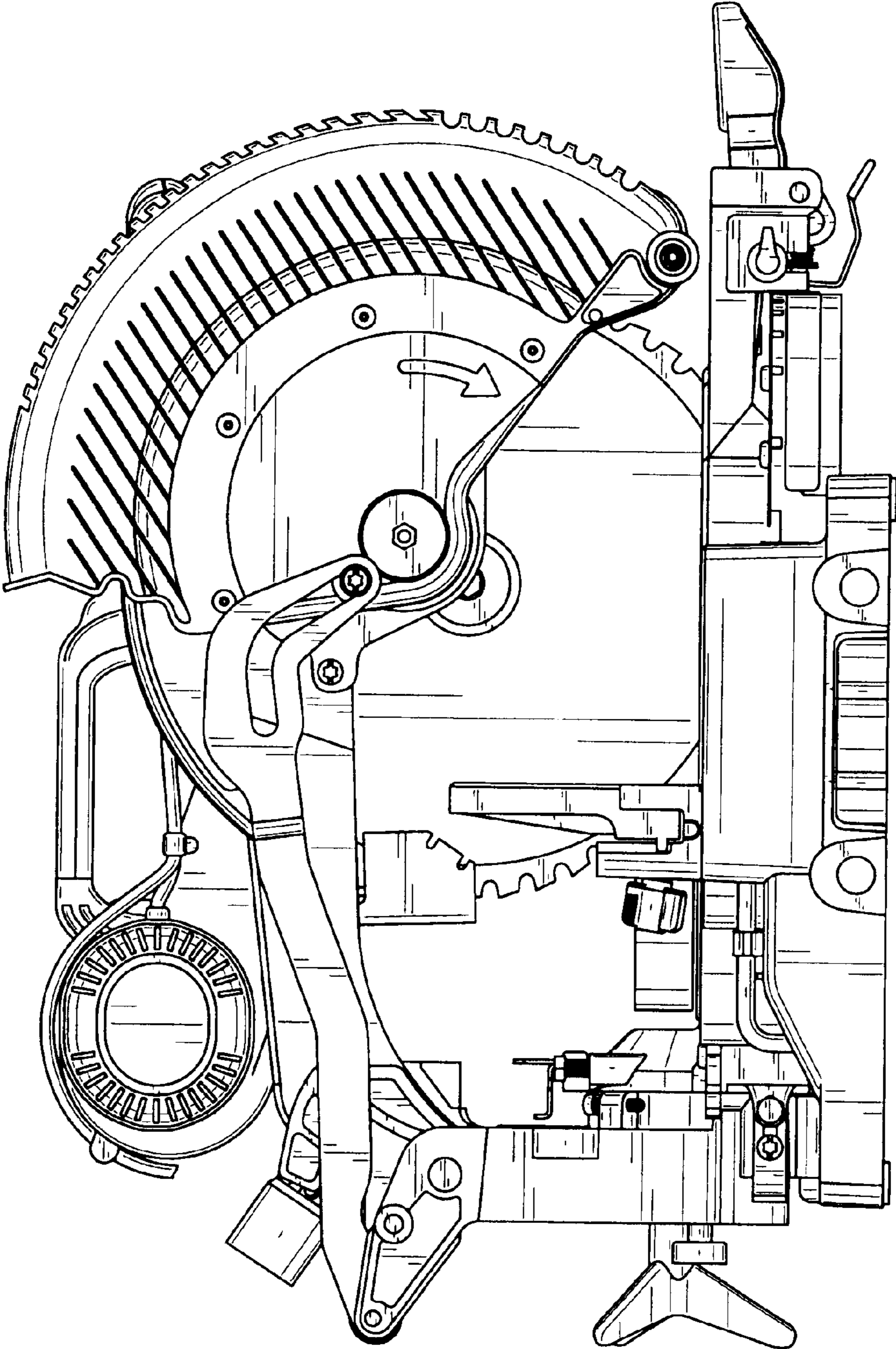


FIG. 4

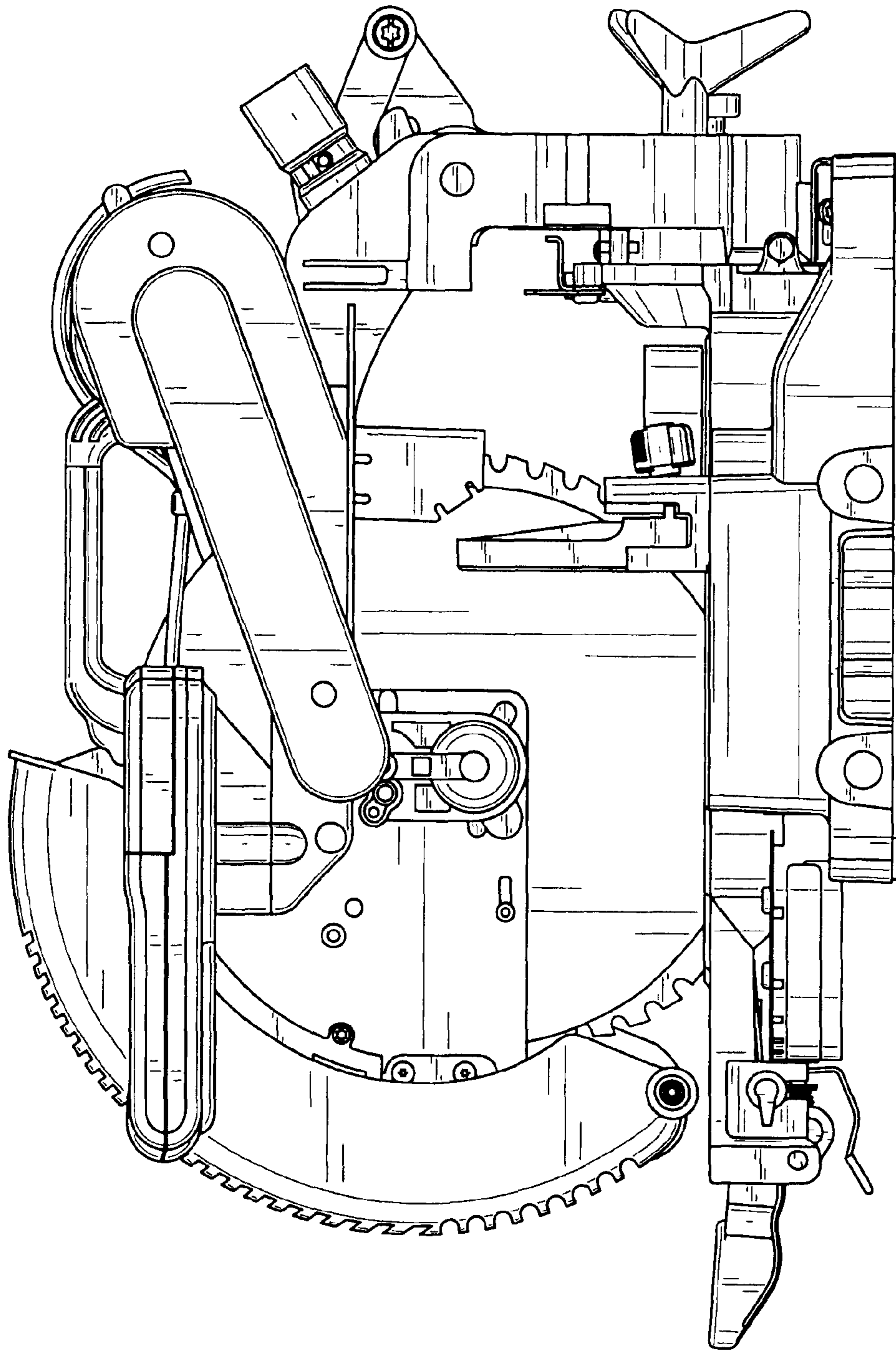


FIG. 5

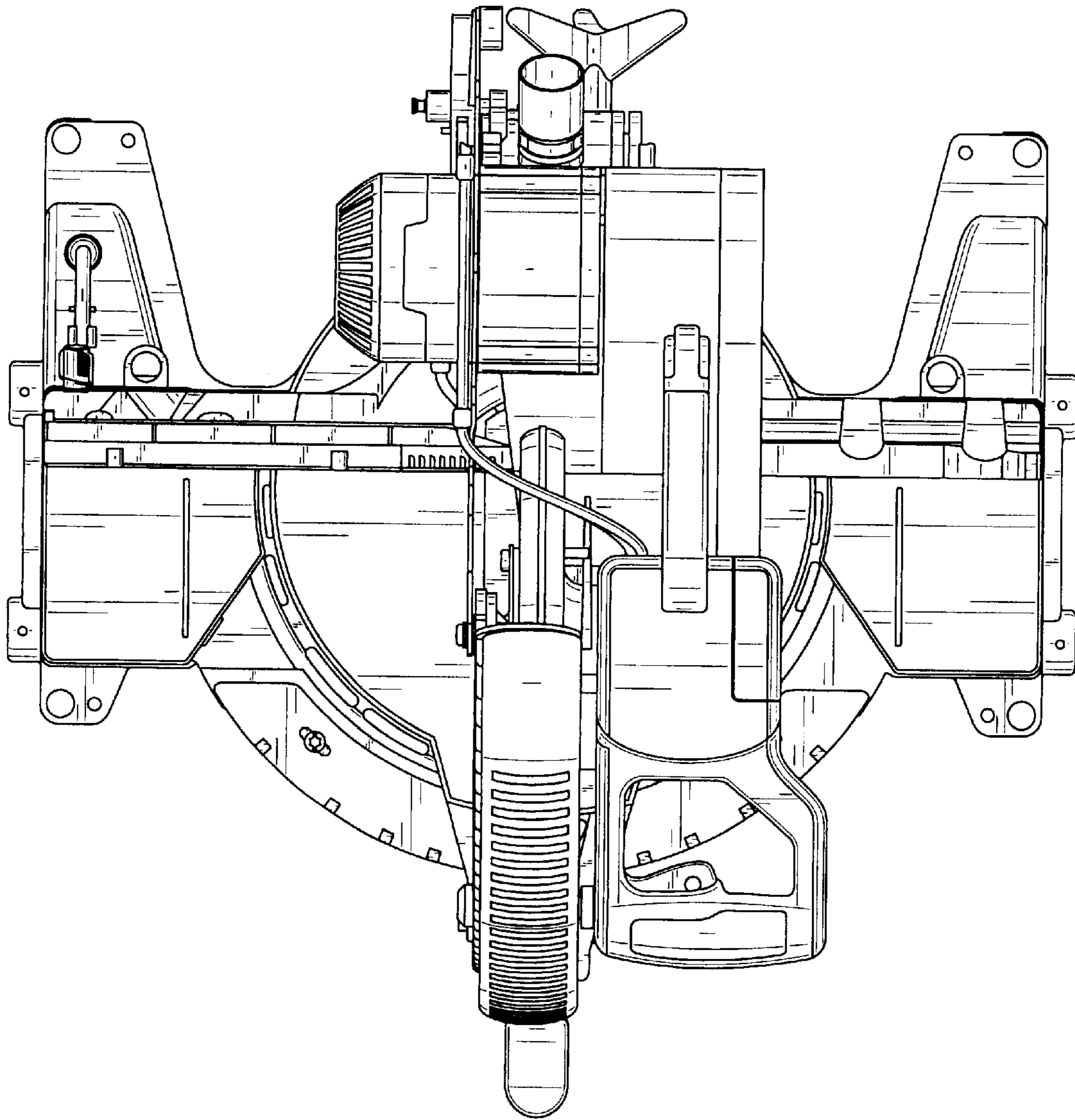


FIG. 6

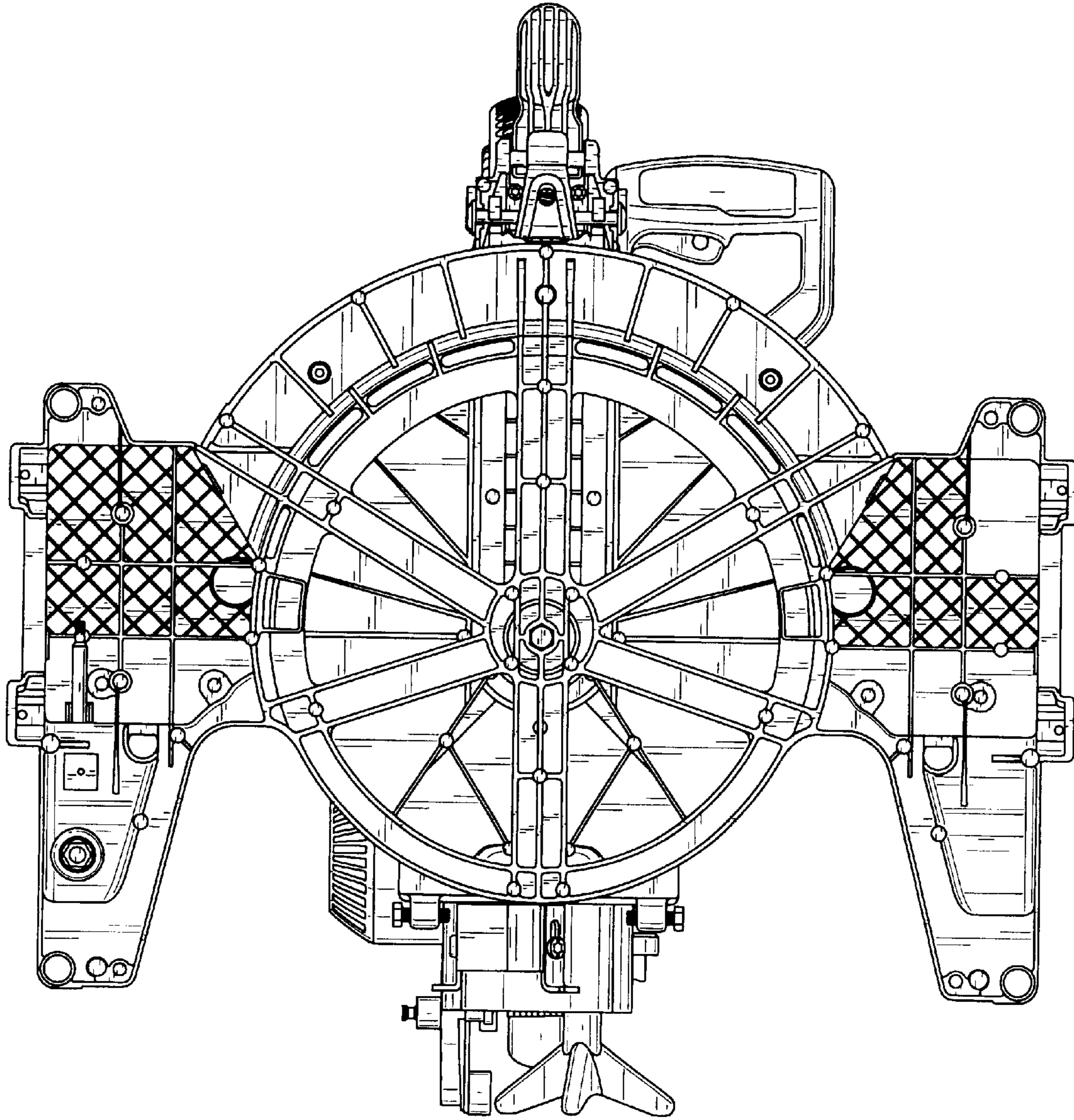


FIG. 7