

US00D532796S

(12) **United States Design Patent**  
**Leu**

(10) **Patent No.:** **US D532,796 S**

(45) **Date of Patent:** **\*\* Nov. 28, 2006**

(54) **PUMP PORT**

D499,119 S \* 11/2004 Thomas et al. .... D15/9

(75) Inventor: **Shawn A. Leu**, Newton, WI (US)

**OTHER PUBLICATIONS**

(73) Assignee: **Thomas Industries, Inc.**, Sheboygan, WI (US)

Thomas Industries Inc.; 2639CHI44-190 Compressor, Field Service Manual; Copyright 1995.

(\*\*) Term: **14 Years**

\* cited by examiner

(21) Appl. No.: **29/230,106**

*Primary Examiner*—Ralf Seifert

(22) Filed: **May 17, 2005**

(74) *Attorney, Agent, or Firm*—James B. Conte

(51) **LOC (8) Cl.** ..... **15-02**

(52) **U.S. Cl.** ..... **D15/9**

(58) **Field of Classification Search** ..... D5/7-9;  
D23/232, 231; 417/359, 415-416, 410.1,  
417/321, 265, 405

(57) **CLAIM**

The ornamental design for a pump port, as shown and described.

See application file for complete search history.

**DESCRIPTION**

(56) **References Cited**

FIG. 1 is a perspective view of a pump port showing my new design;  
FIG. 2 is a top elevational view thereof;  
FIG. 3 is a front side elevational view thereof;  
FIG. 4 is a rear side elevational view thereof;  
FIG. 5 is a right end elevational view thereof, the left end elevational view being a mirror image thereof; and,  
FIG. 6 is a bottom elevational view thereof.  
The broken line representations of portions of the pump in FIGS. 1-6 do not limit the claimed design.

**U.S. PATENT DOCUMENTS**

D379,996 S	*	6/1997	Leu et al. ....	D15/9
D382,883 S	*	8/1997	Breitzman et al. ....	D15/9
D412,094 S	*	7/1999	Weibel .....	D8/42
D412,174 S	*	7/1999	Faulkner et al. ....	D15/9
6,056,521 A		5/2000	Leu et al.	
D478,094 S	*	8/2003	Scarth et al. ....	D15/9
D485,282 S	*	1/2004	Scarth et al. ....	D15/9

**1 Claim, 6 Drawing Sheets**

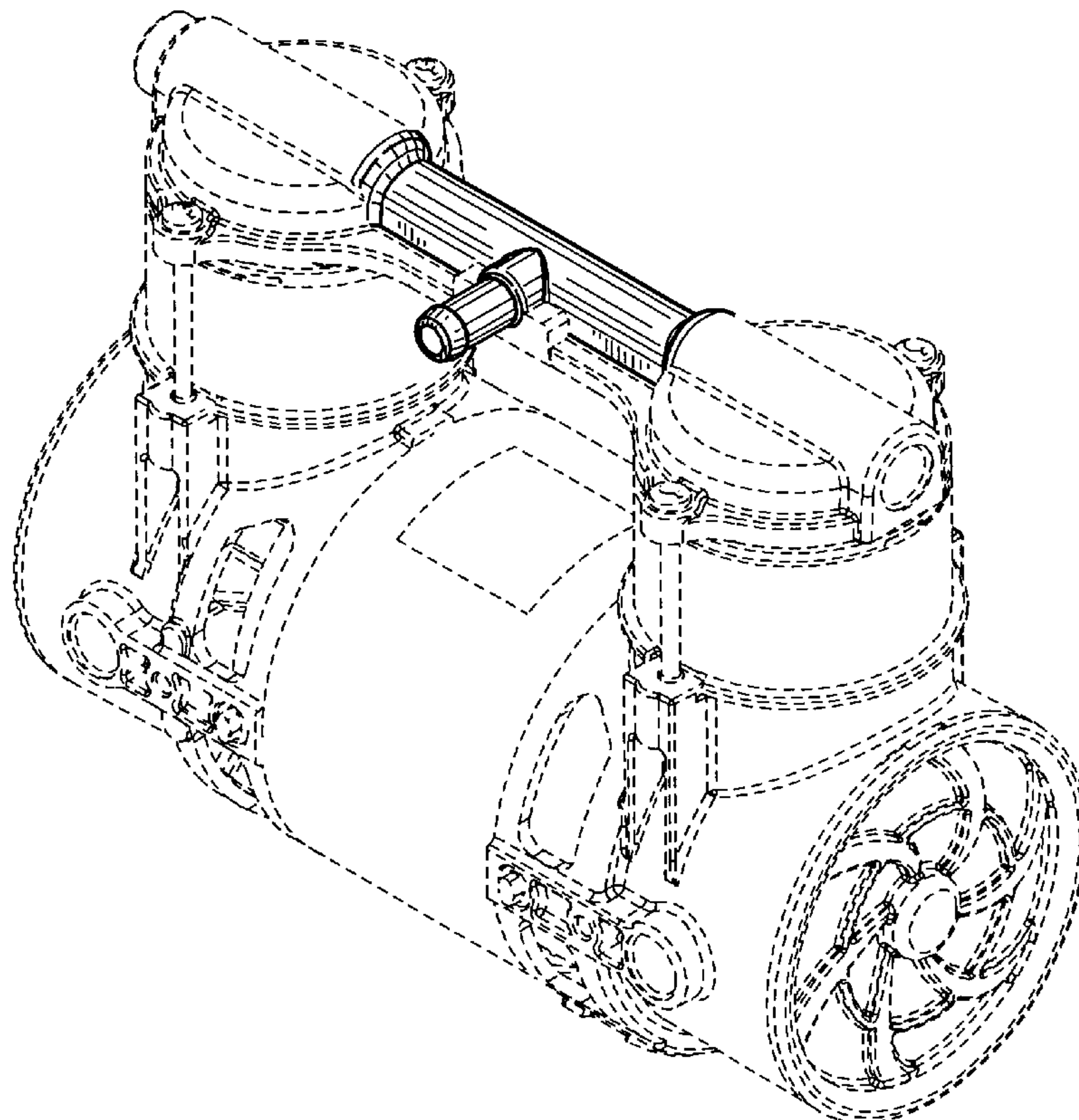
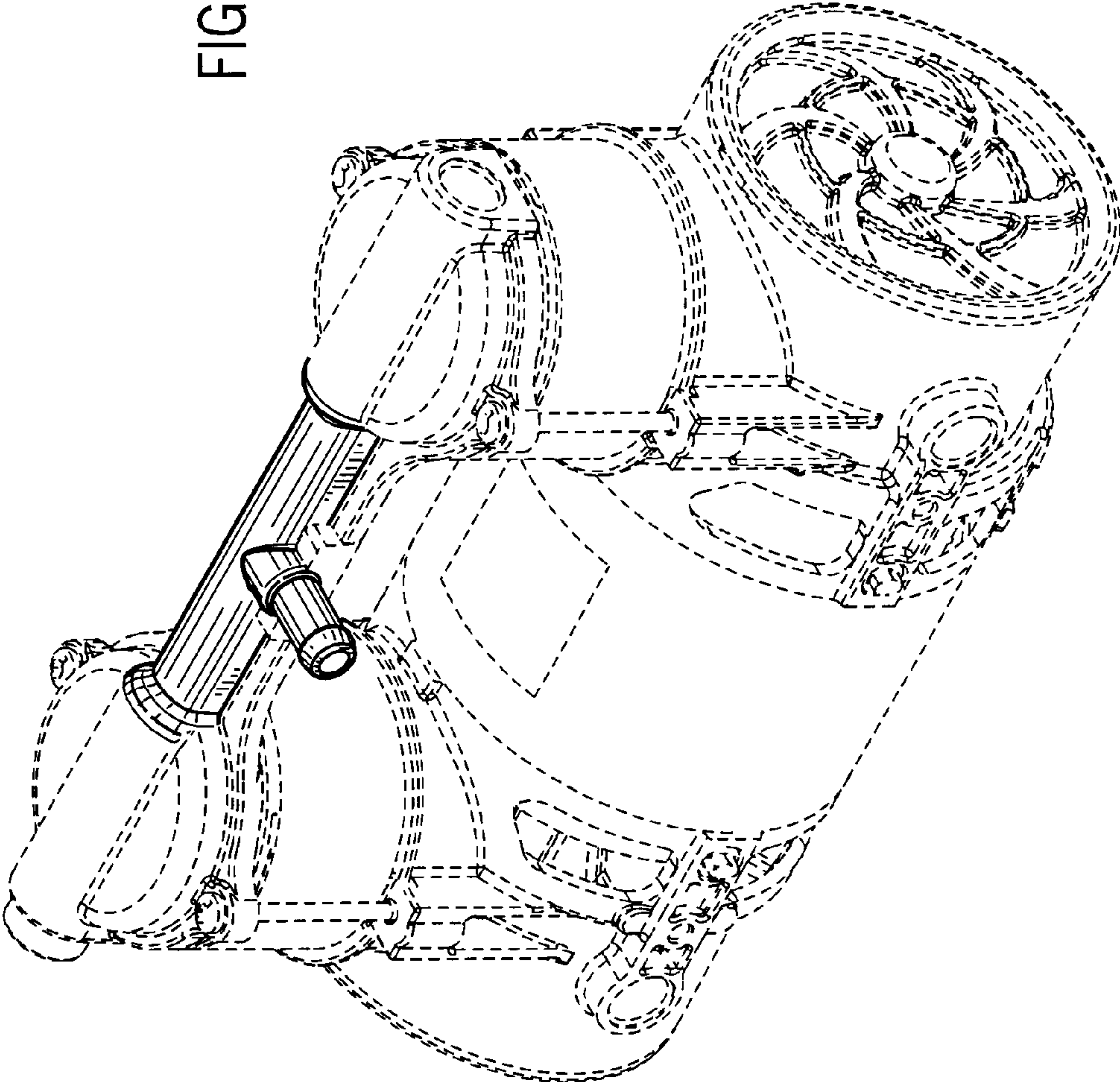


FIG. 1



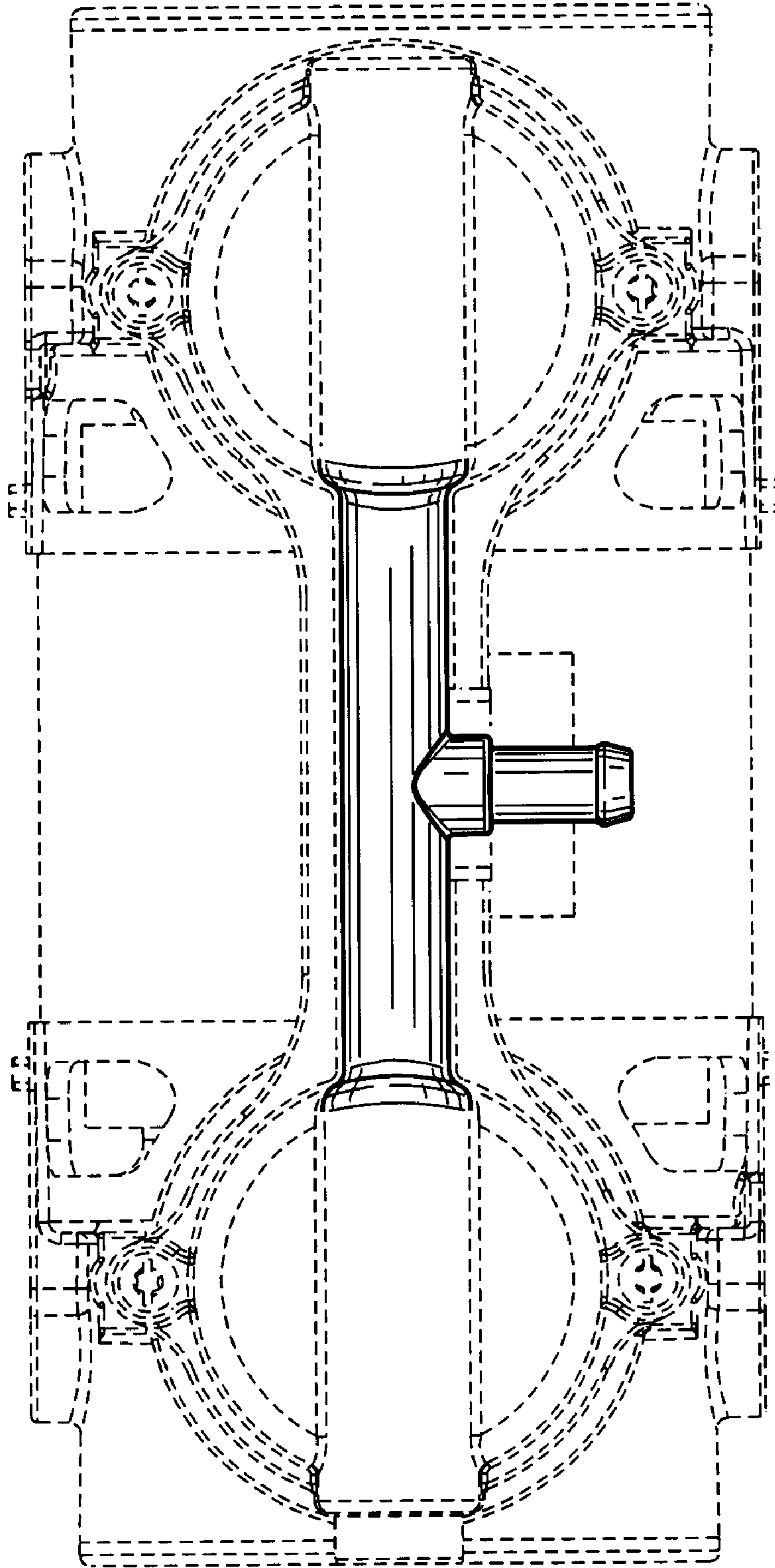


FIG. 2

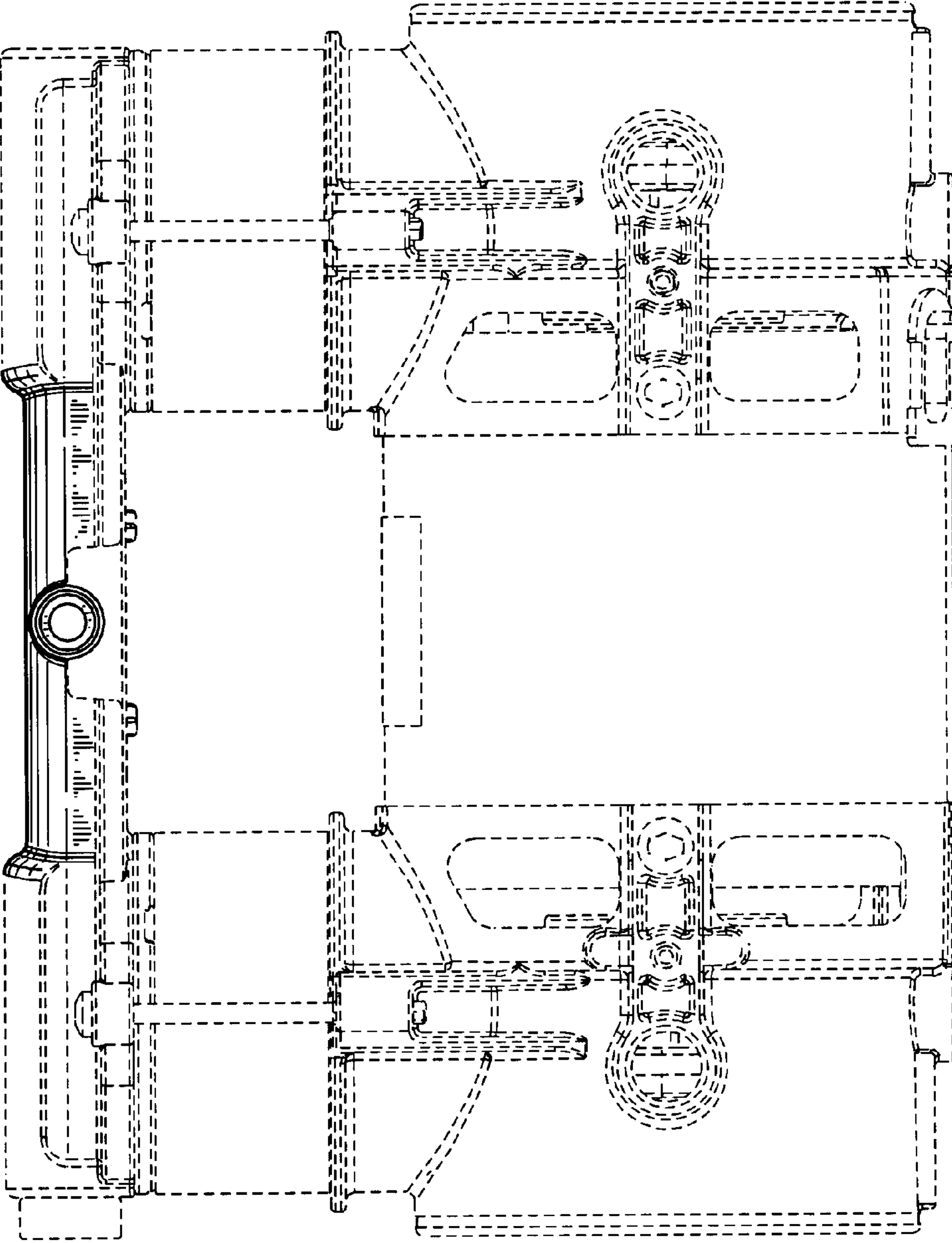


FIG. 3



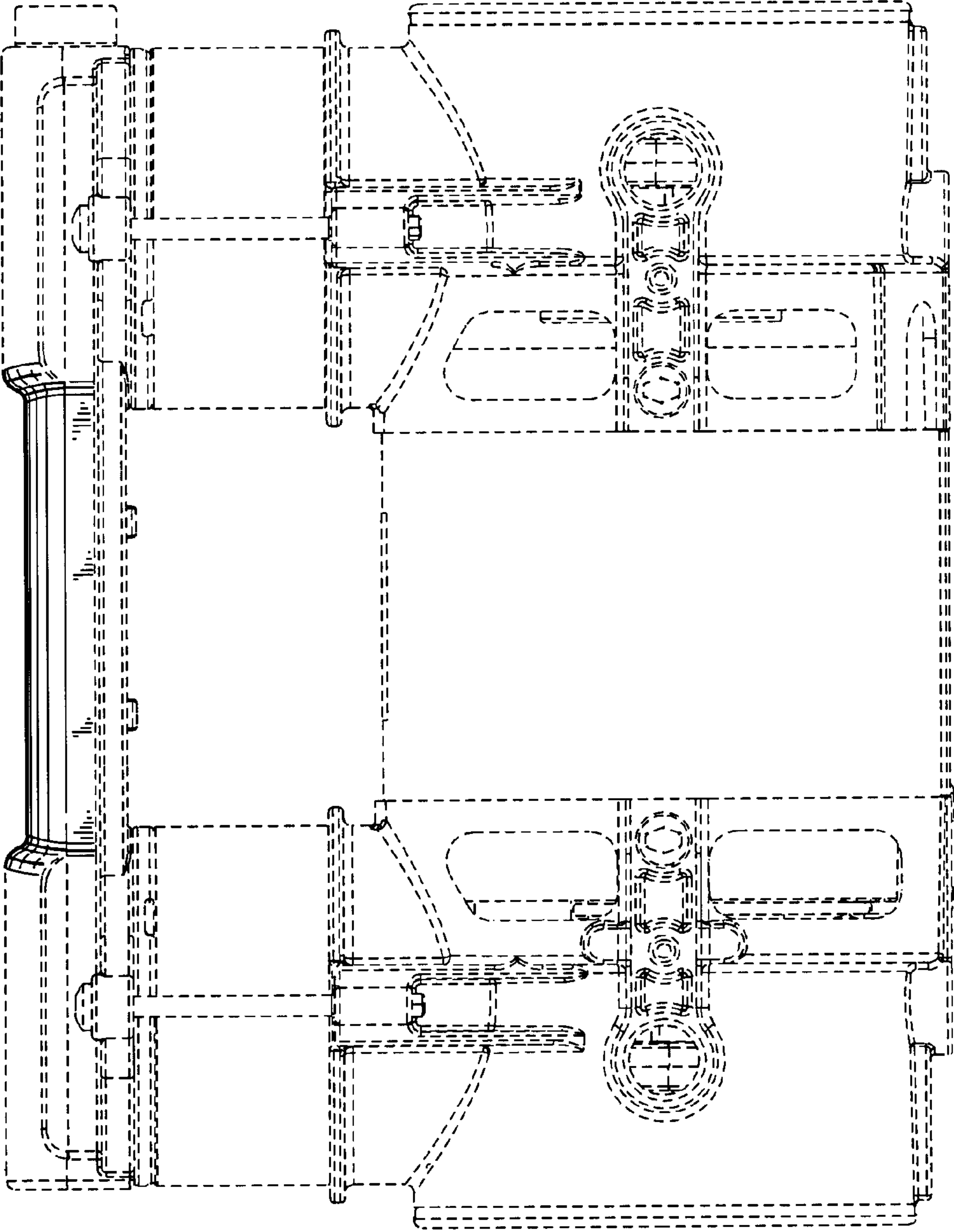


FIG. 4

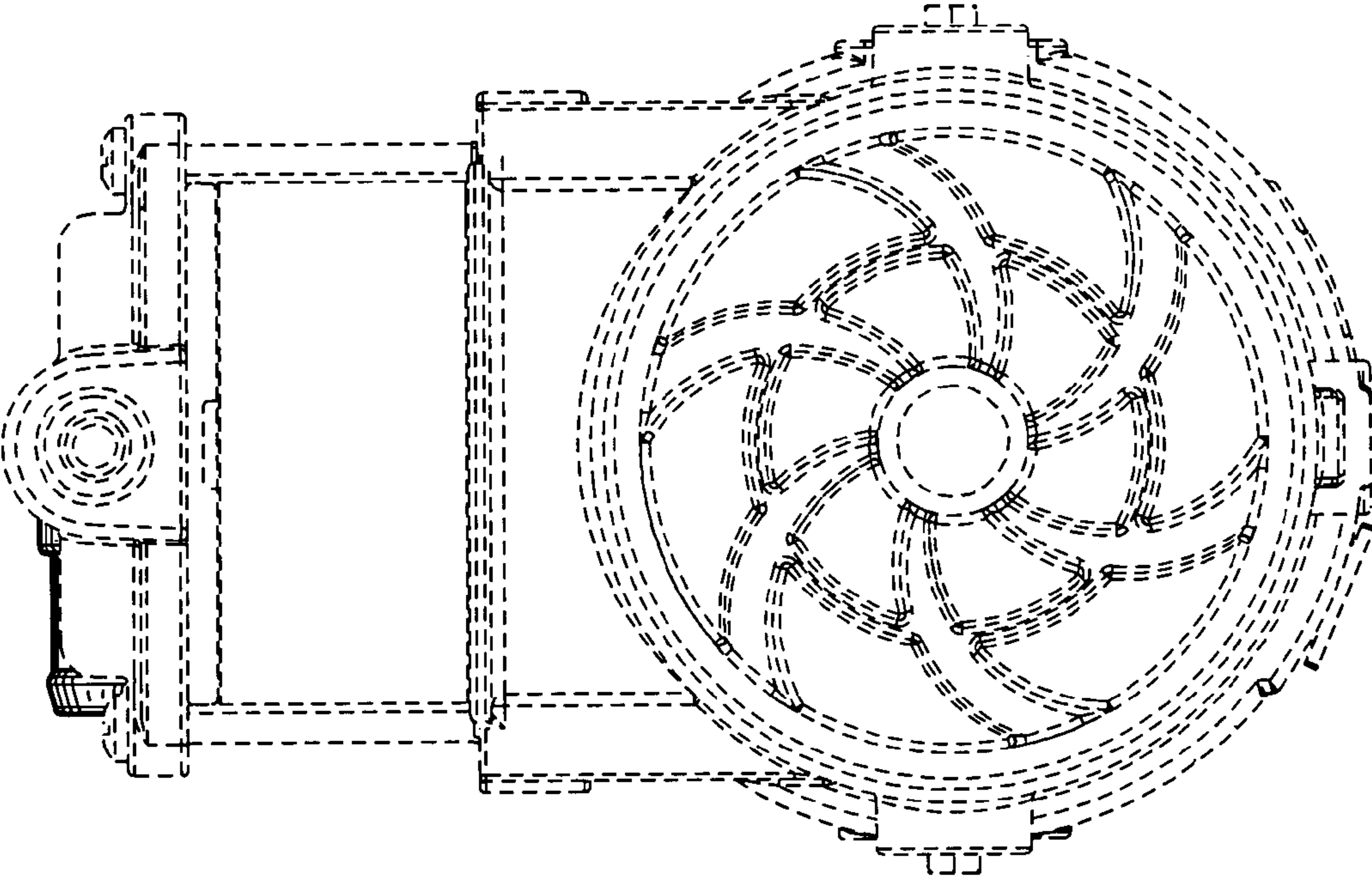


FIG. 5

FIG. 6

