

US00D532795S

(12) **United States Design Patent**
Quezada

(10) **Patent No.:** **US D532,795 S**

(45) **Date of Patent:** **** Nov. 28, 2006**

(54) **AIR INTAKE BOX FOR MOTOR VEHICLES**

(76) **Inventor:** **Anthony Quezada**, 8759 Lion St., Ran Cuc, CA (US) 91730

(**) **Term:** **14 Years**

(21) **Appl. No.:** **29/232,358**

(22) **Filed:** **Jun. 18, 2005**

(51) **LOC (8) Cl.** **15-01**

(52) **U.S. Cl.** **D15/5**

(58) **Field of Classification Search** D15/1-9;
D23/355, 364, 365; 123/184.56, 54.6, 41.54,
123/184.21, 184.43, 184.46, 184.47, 184.48;
180/182; 55/385.1-385.3, 385.7, 522

See application file for complete search history.

(56) **References Cited**

U.S. PATENT DOCUMENTS

4,653,439	A	*	3/1987	Desai et al.	123/184.31
4,771,679	A	*	9/1988	Tsuru	454/146
D298,051	S		10/1988	Matheson		
4,819,550	A		4/1989	Ioka		
D340,513	S		10/1993	Stahel et al.		
D379,821	S		6/1997	Cheng		
5,738,700	A		4/1998	King		
D396,726	S		8/1998	Sadr et al.		

D455,438	S		4/2002	Hall		
D472,246	S		3/2003	Ayton		
D497,619	S		10/2004	Rietsma		
D510,741	S	*	10/2005	Ogose	D15/5
D521,134	S	*	5/2006	Huang	D23/364
2004/0159482	A1	*	8/2004	Eide	180/182

* cited by examiner

Primary Examiner—Ian Simmons

Assistant Examiner—Maurice Stevens

(74) *Attorney, Agent, or Firm*—Lewis M. Brande; Thomas A. McCleary; Brande and McCleary

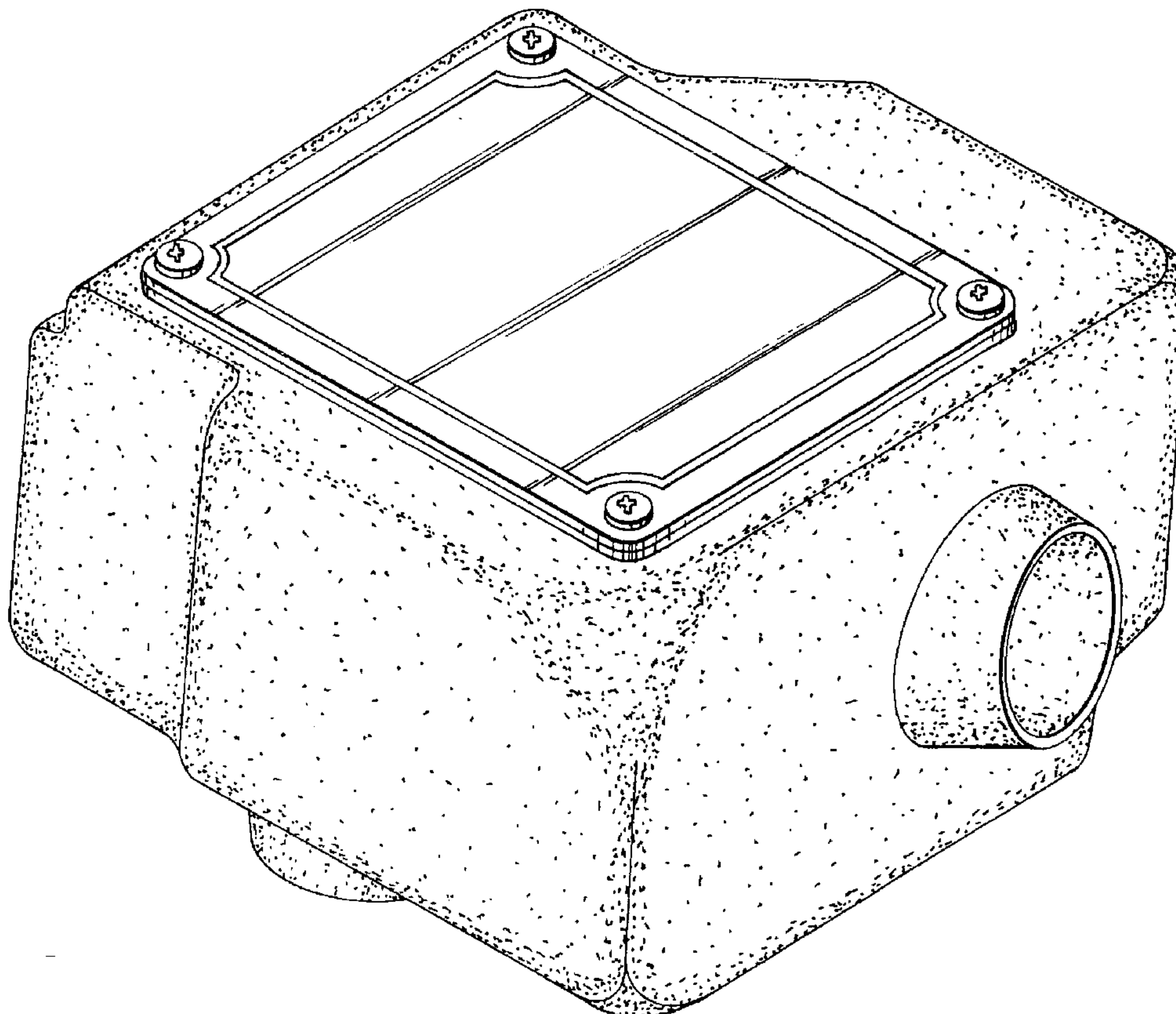
(57) **CLAIM**

The ornamental design for an air intake box for motor vehicles, as shown and described.

DESCRIPTION

FIG. 1 is a perspective view of an air intake box for motor vehicles showing my new design; FIG. 2 is a top view thereof; FIG. 3 is a bottom view thereof; FIG. 4 is a right side view thereof; FIG. 5 is a left side view thereof; FIG. 6 is a front view thereof; and, FIG. 7 is a rear view thereof.

1 Claim, 4 Drawing Sheets



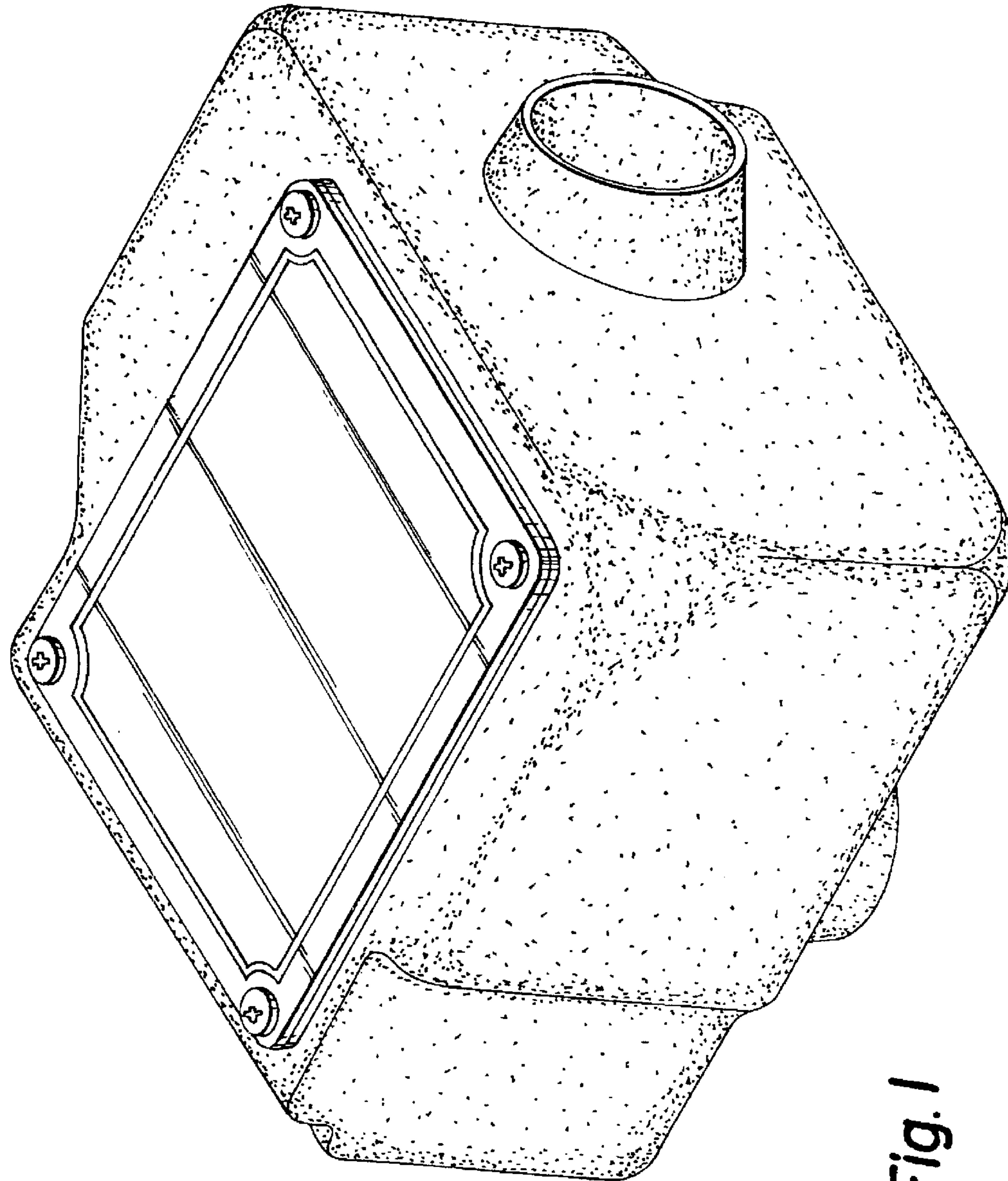


Fig. 1

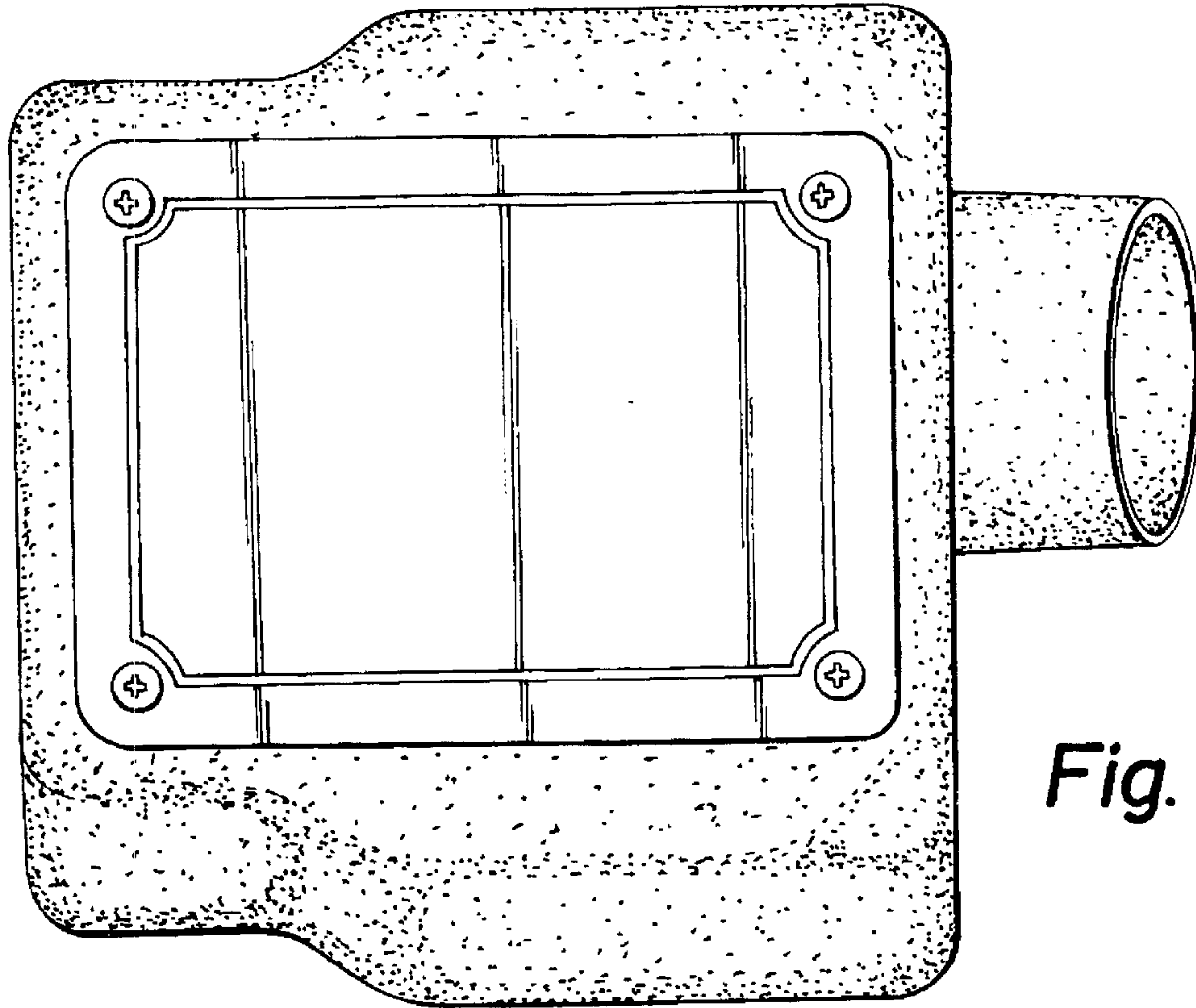


Fig. 2

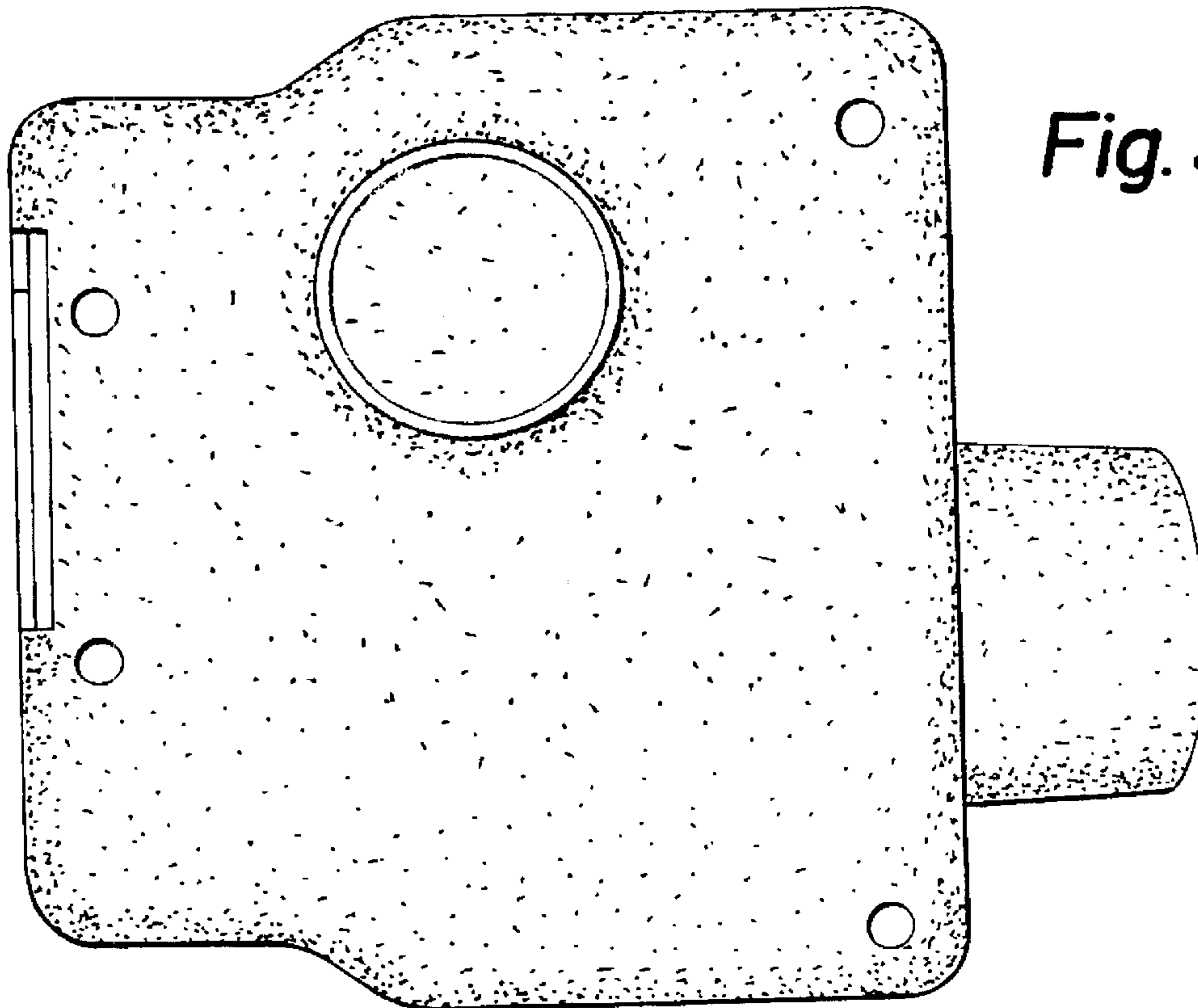


Fig. 3

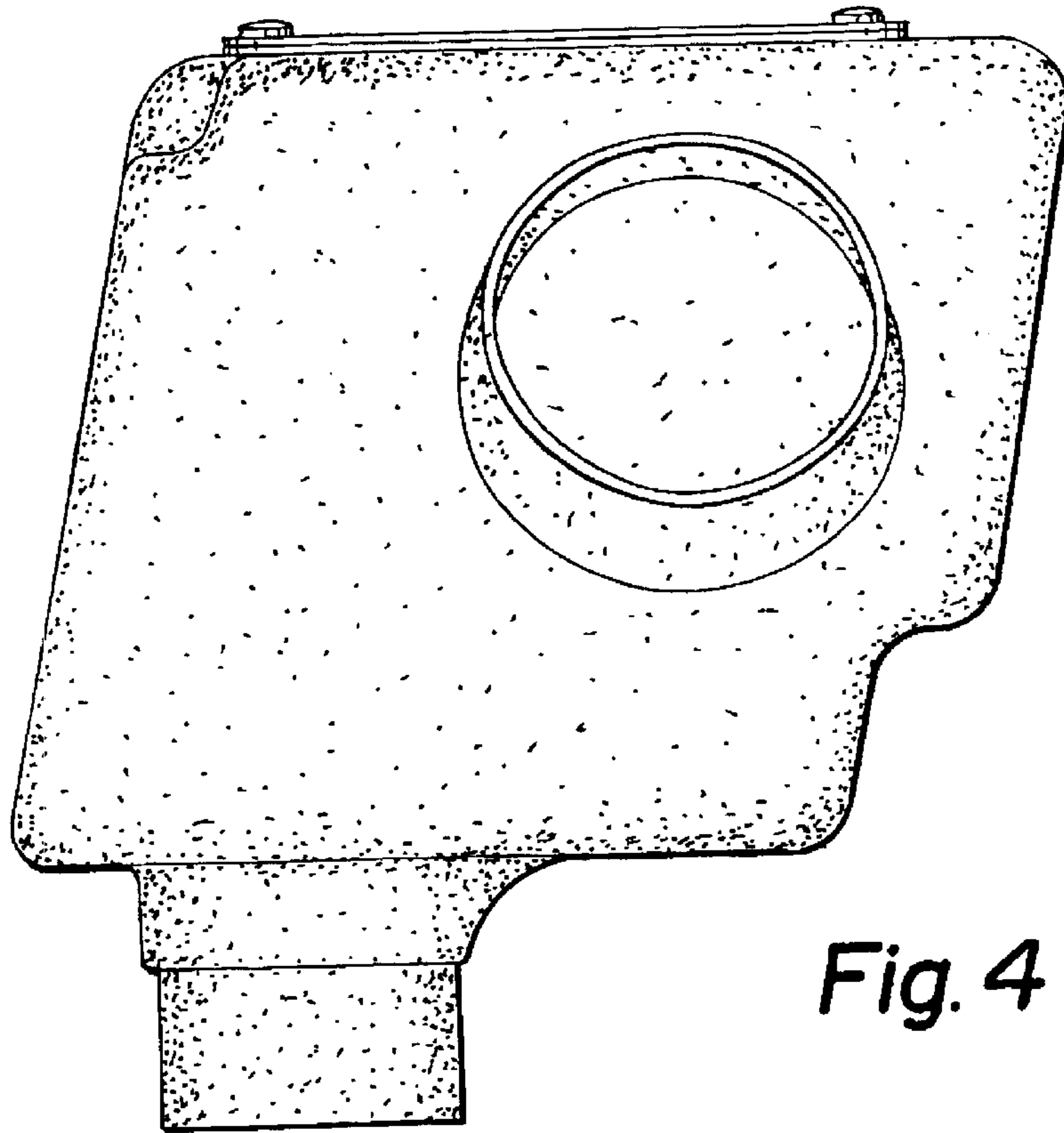


Fig. 4

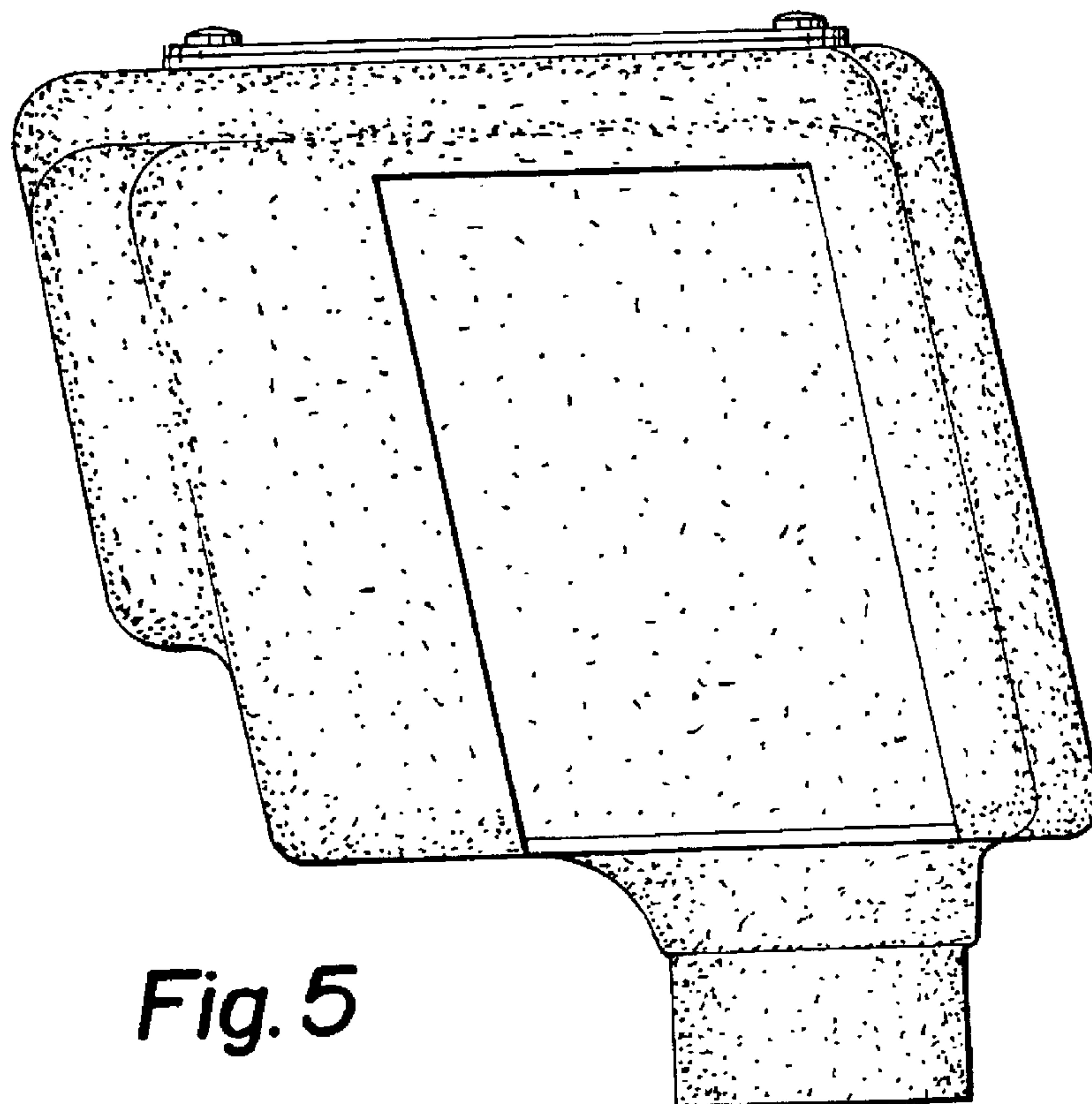


Fig. 5

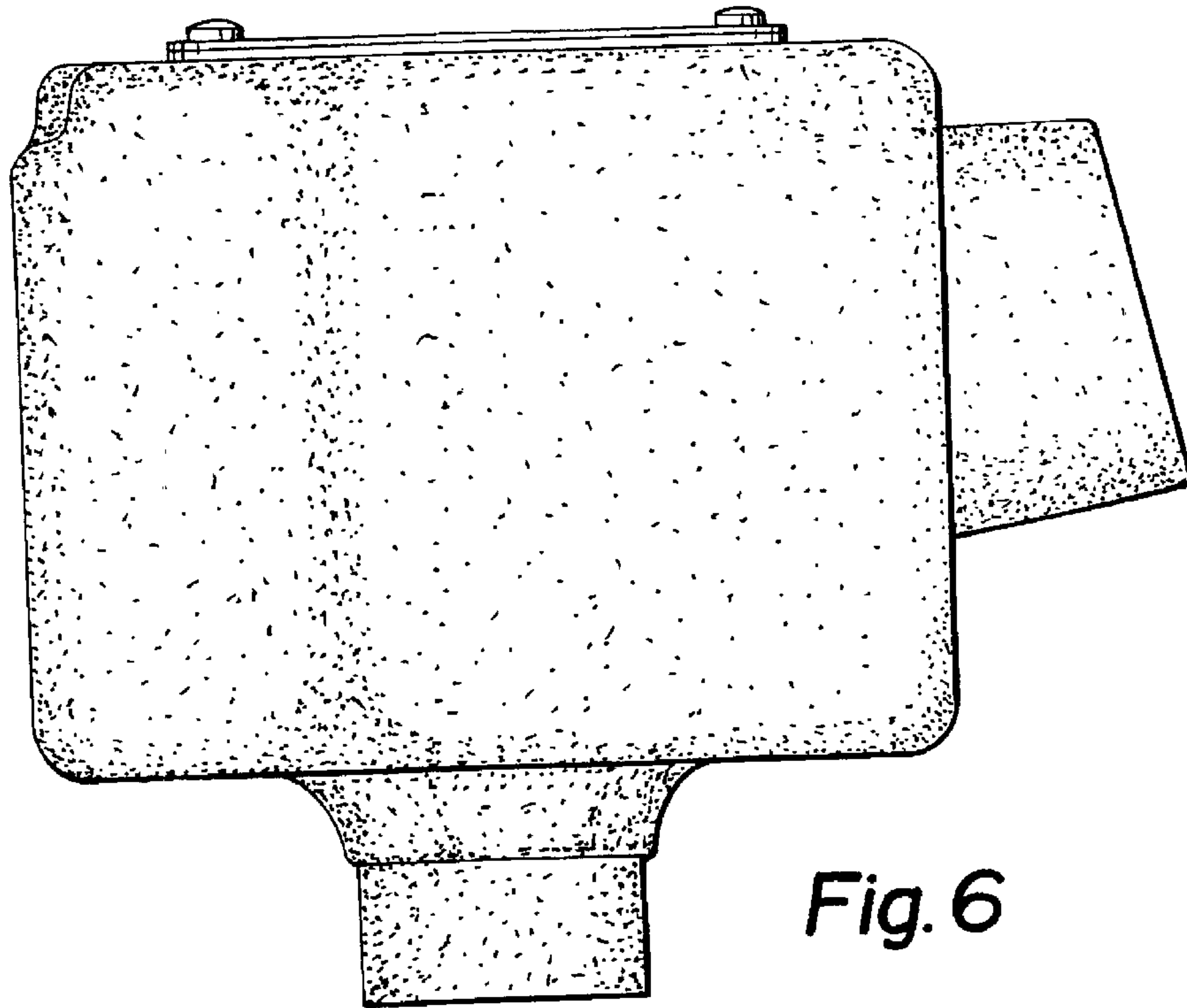


Fig. 6

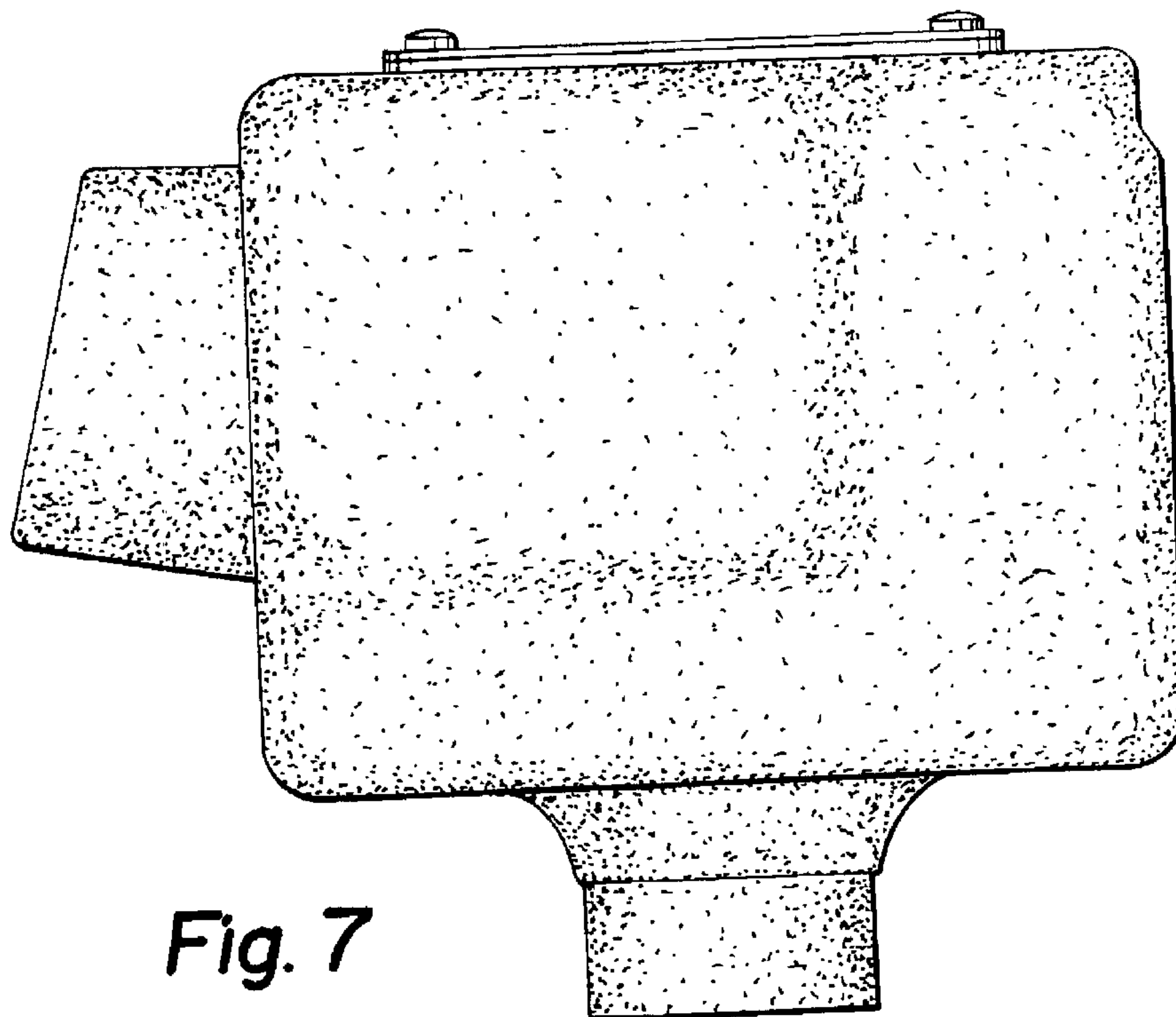


Fig. 7