



US00D532794S

(12) **United States Design Patent**
Glass

(10) **Patent No.:** **US D532,794 S**

(45) **Date of Patent:** **** Nov. 28, 2006**

(54) **PORTION OF AN INTERNAL COMBUSTION ENGINE**

(75) **Inventor:** **Douglas Lloyd Glass**, Greenville, SC (US)

(73) **Assignee:** **Liquid Combustion Technology LLC**, Travelers Rest, SC (US)

(**) **Term:** **14 Years**

(21) **Appl. No.:** **29/211,389**

(22) **Filed:** **Aug. 16, 2004**

(51) **LOC (8) Cl.** **15-01**

(52) **U.S. Cl.** **D15/5**

(58) **Field of Classification Search** D15/1-5;
123/41.7, 50 A, 56, 198 E, 306, 308, 661,
123/667, 65 R, 50 R, 51 R, 51 P; 74/610,
74/6; 474/8, 93; 475/210; 184/6.29

See application file for complete search history.

(56) **References Cited**

U.S. PATENT DOCUMENTS

D257,844 S	1/1981	Stevens	
D282,071 S	1/1986	Nakamura	
D294,832 S	3/1988	Itou et al.	
4,813,385 A	3/1989	Yamaguchi et al.	
D305,432 S	1/1990	Hashigaki	
D307,147 S	4/1990	Sasaki et al.	
D307,148 S	4/1990	Mikado	
D308,871 S	6/1990	Harkness et al.	
D308,872 S	6/1990	Harkness et al.	
D309,457 S	7/1990	Eifert et al.	
D309,458 S	7/1990	Johnson et al.	
5,072,627 A	12/1991	Horiye et al.	
D330,897 S	11/1992	Carlson et al.	
D331,929 S	12/1992	Leaf et al.	
5,197,426 A	* 3/1993	Frangesch et al.	123/198 E
D342,076 S	12/1993	Heismann	
D343,843 S	2/1994	Mikado	
D353,381 S	12/1994	Yoshida et al.	
D367,070 S	2/1996	Maeda et al.	
D392,647 S	3/1998	Ueda et al.	
D396,045 S	7/1998	Neeley	

D396,476 S	7/1998	Shimizu
D397,342 S	8/1998	Shimizu
D398,010 S	9/1998	Yoshida et al.
D414,498 S	9/1999	Yoshida
D417,675 S	12/1999	Yaguchi et al.
D441,714 S	5/2001	Yuzuriha
D443,280 S	6/2001	Shimizu
6,240,889 B1	6/2001	Kuwabara et al.

(Continued)

OTHER PUBLICATIONS

Copy of U.S. Appl. No. 29/199,532 entitled *Portion of an Engine*; In re: Giddens; filed Feb. 16, 2004.

Copy of U.S. Appl. No. 29/199,533 entitled *Portion of an Engine*; In re: Giddens; filed Feb. 16, 2004.

Primary Examiner—Ian Simmons

Assistant Examiner—Maurice Stevens

(74) *Attorney, Agent, or Firm*—Alston & Bird LLP

(57) **CLAIM**

The ornamental design for a portion of an internal combustion engine, as shown and described.

DESCRIPTION

FIG. 1 is a perspective view of a portion of a portion of an internal combustion engine showing my new design;

FIG. 2 is a top plan view thereof;

FIG. 3 is a front elevation view thereof;

FIG. 4 is a rear elevation view thereof;

FIG. 5 is a right side elevation view thereof; and

FIG. 6 is a left side elevation view thereof.

FIG. 7 is a perspective view of a portion of an internal combustion engine according to a second embodiment of the present design;

FIG. 8 is a top plan view thereof;

FIG. 9 is a front elevation view thereof;

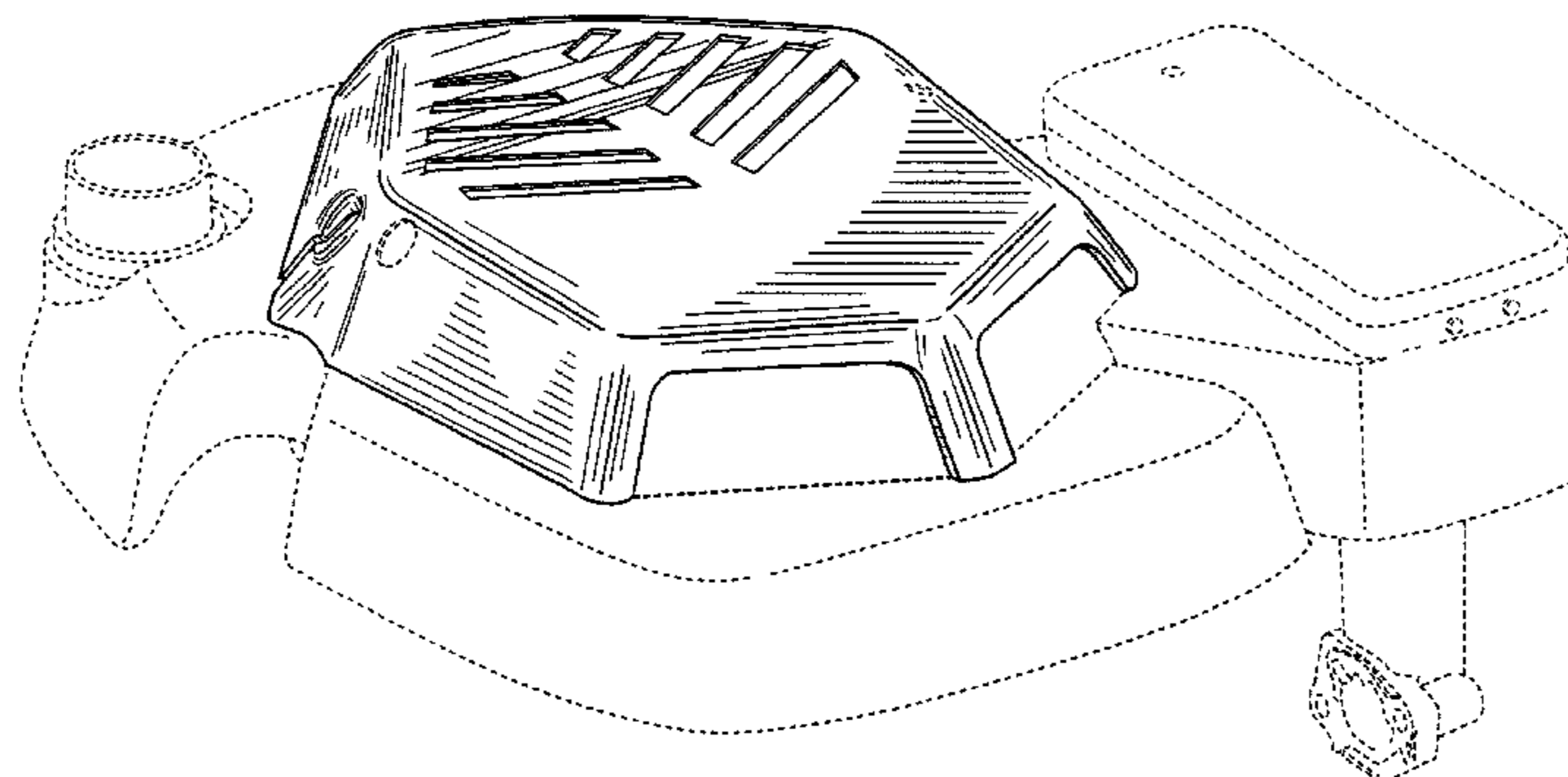
FIG. 10 is a rear elevation view thereof;

FIG. 11 is a right side elevation view thereof; and,

FIG. 12 is a left side elevation view thereof.

The broken lines shown in FIGS. 1-12 are for illustrative purposes only and form no part of the claimed design.

1 Claim, 10 Drawing Sheets



US D532,794 S

Page 2

U.S. PATENT DOCUMENTS

D444,478 S	7/2001	Shimizu		D475,065 S	5/2003	Shimizu et al.	
D449,051 S	10/2001	Miyashita		D478,042 S	8/2003	Yaguchi et al.	
6,331,740 B1	12/2001	Morohoshi et al.		D481,042 S	10/2003	Yuzuriha et al.	
6,362,533 B1	3/2002	Morohoshi et al.		D481,043 S	10/2003	Yuzuriha et al.	
D457,891 S	5/2002	Matre		D488,167 S	4/2004	Momoi	
6,489,690 B1	12/2002	Hatsugai et al.		D491,193 S	6/2004	Davis	
D468,751 S *	1/2003	Neeley et al.	D15/1	D503,722 S *	4/2005	Stenz et al.	D15/1
6,520,141 B1	2/2003	Ryczek et al.		2003/0154934 A1	8/2003	Nakamizo et al.	
6,525,430 B1	2/2003	Asai et al.		2003/0182823 A1	10/2003	Sanders et al.	
D474,783 S	5/2003	Momoi					

* cited by examiner

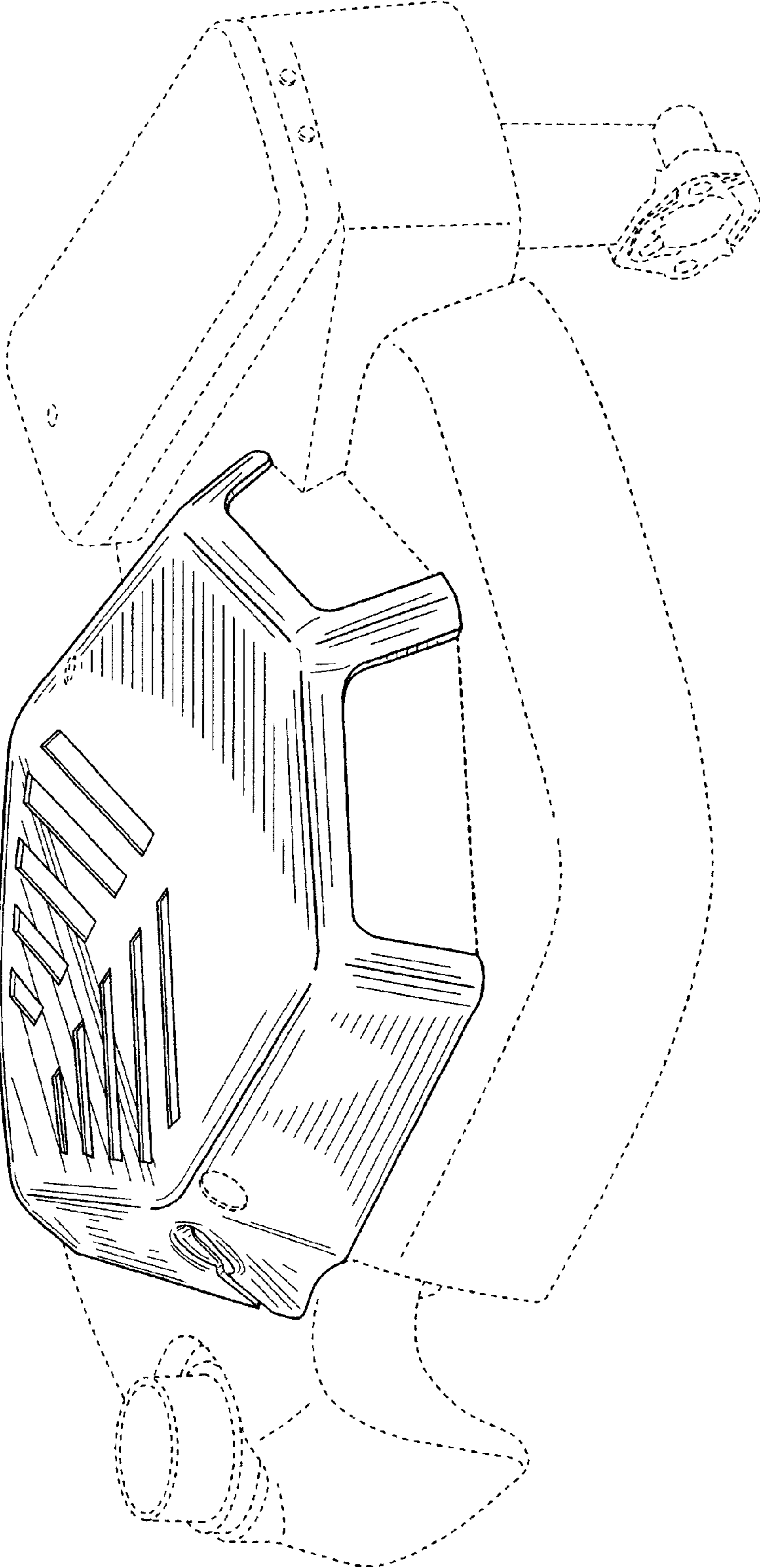


Fig. 1

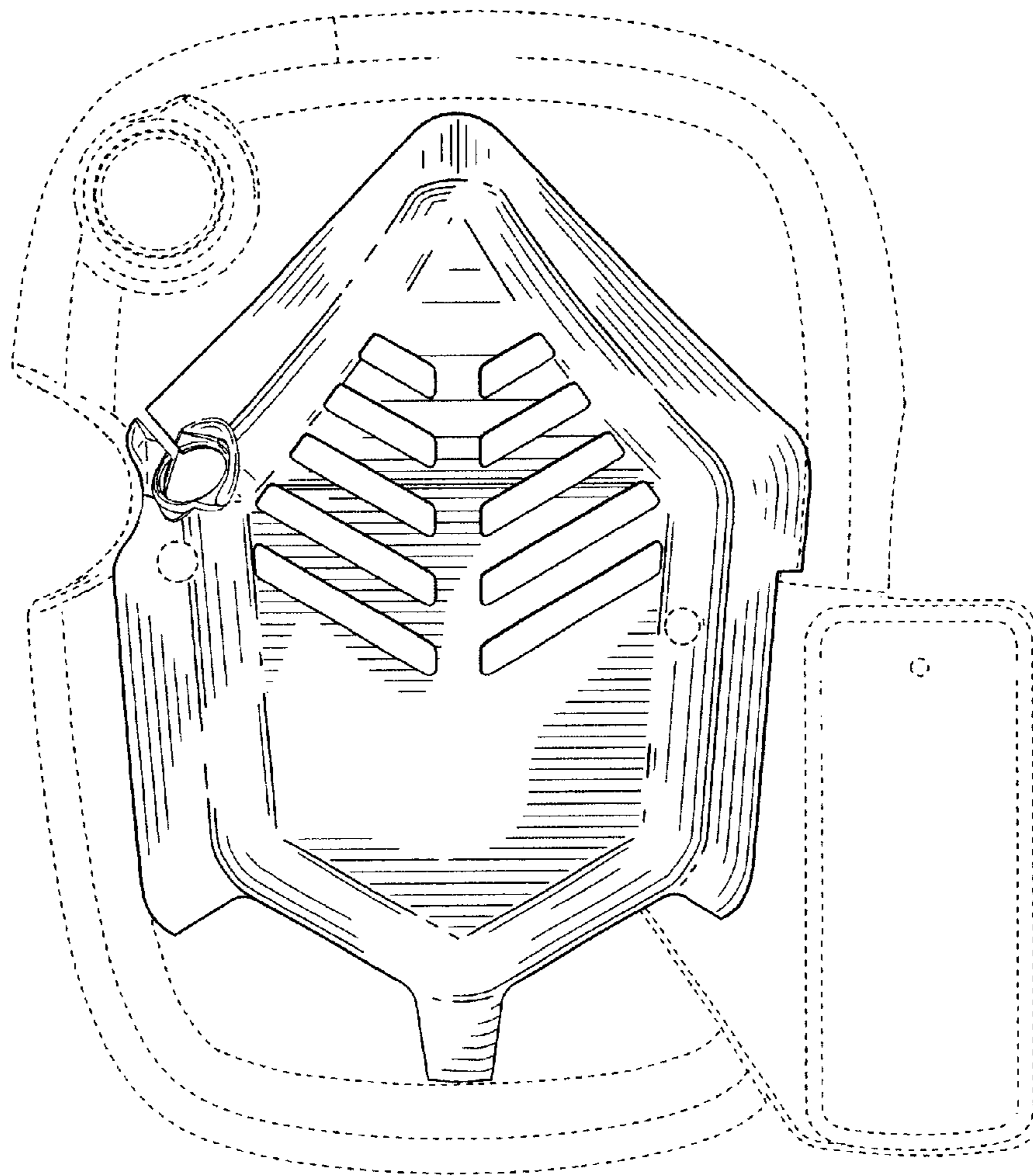


Fig. 2

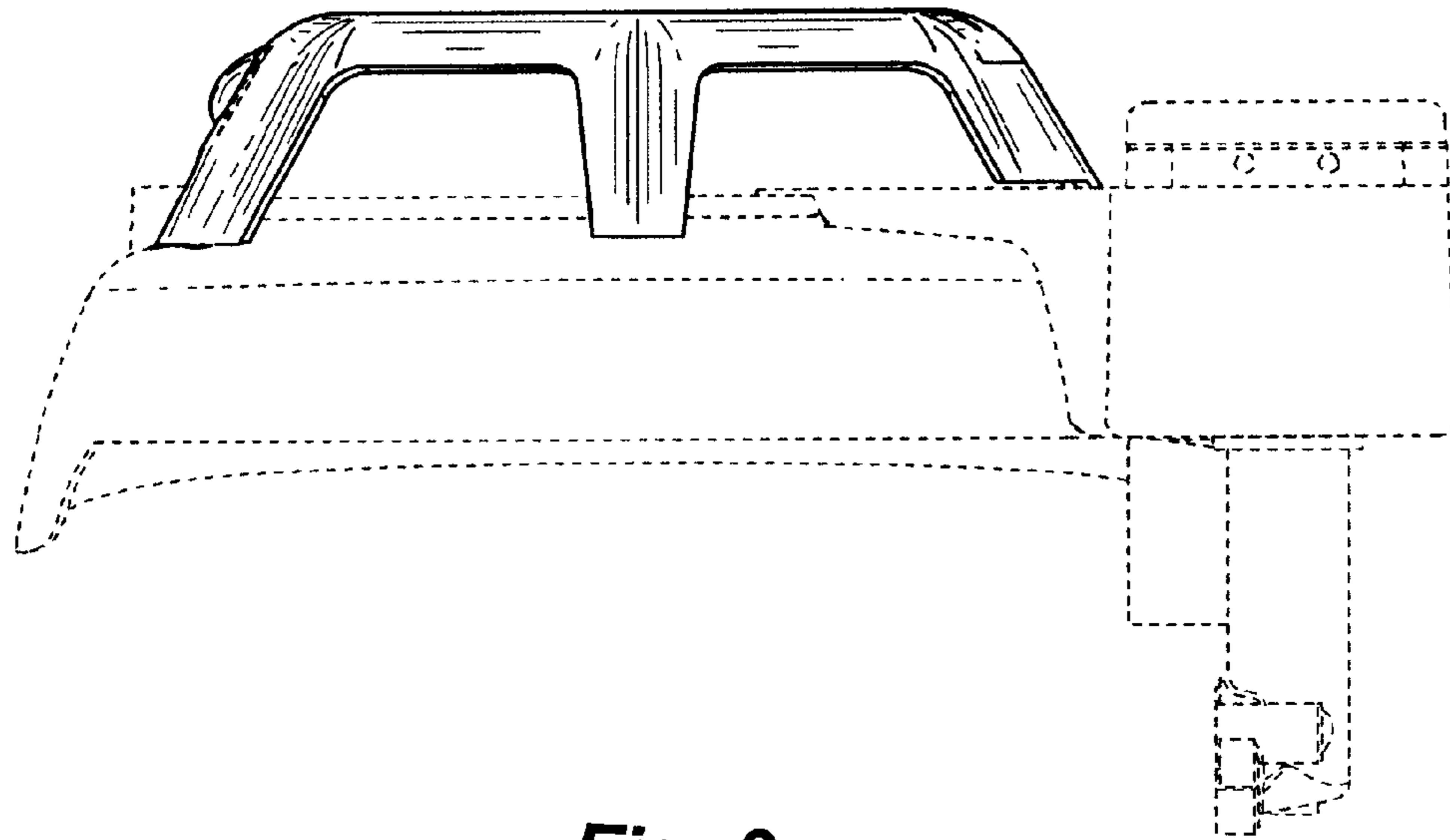


Fig. 3

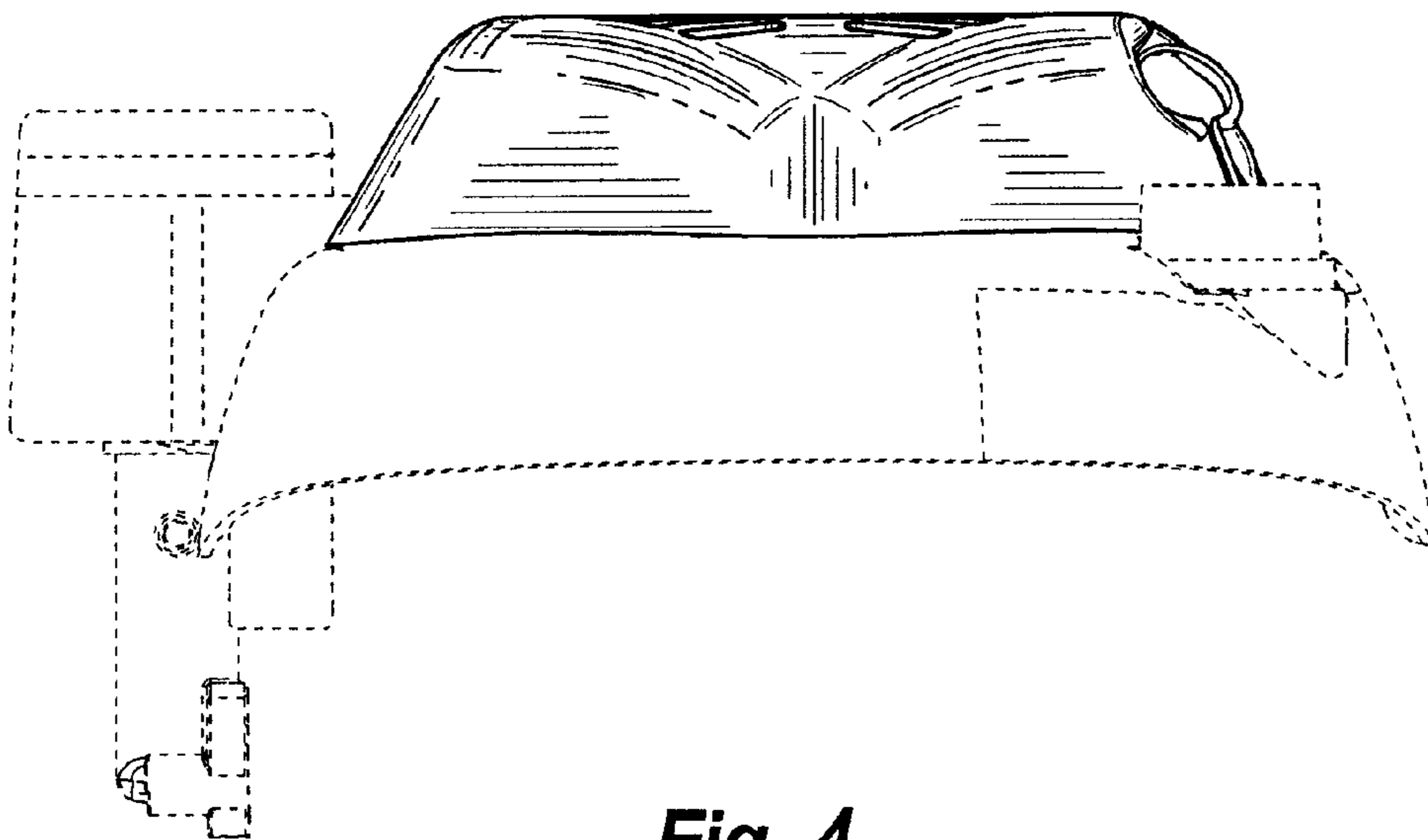


Fig. 4

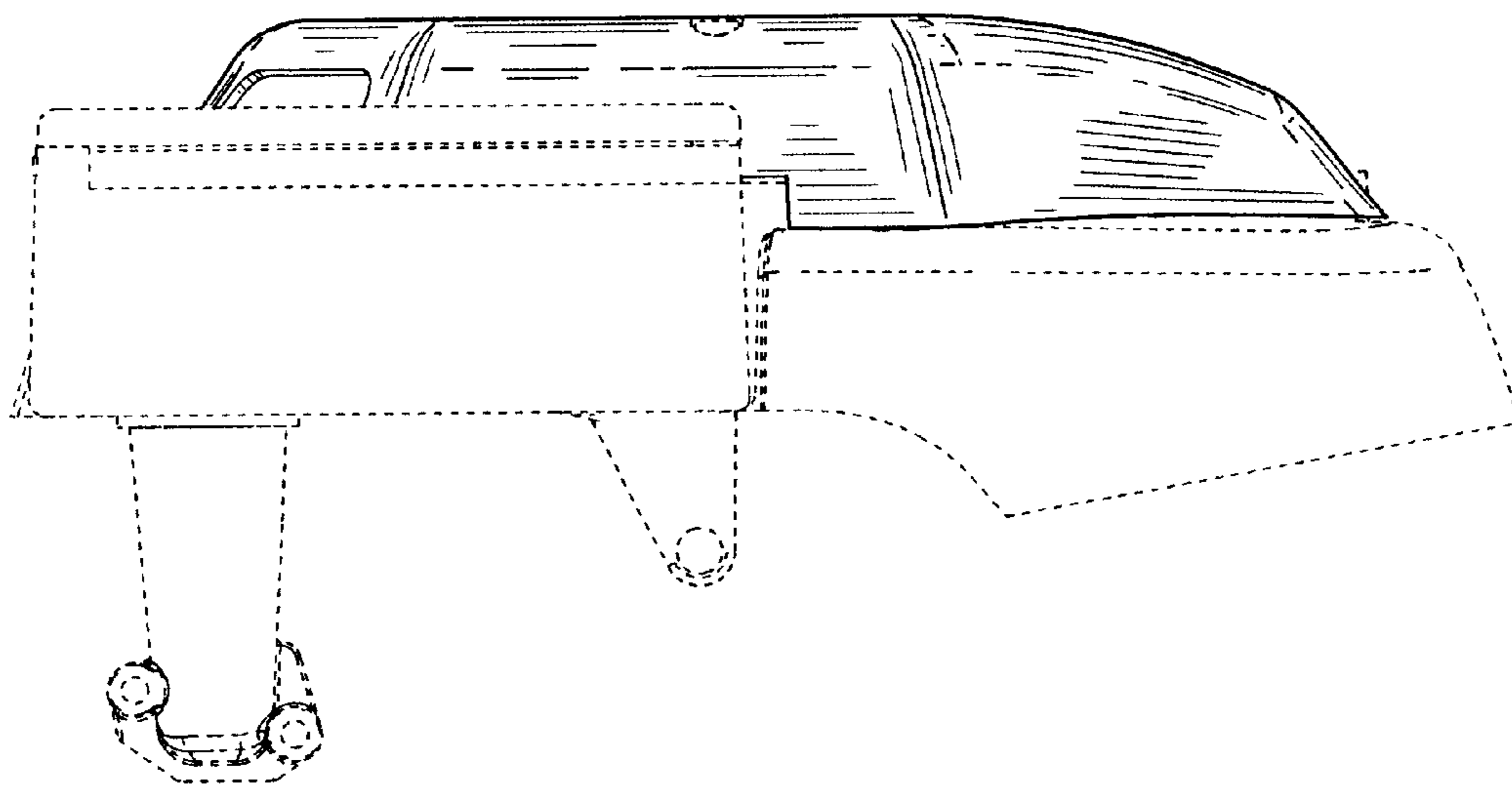


Fig. 5

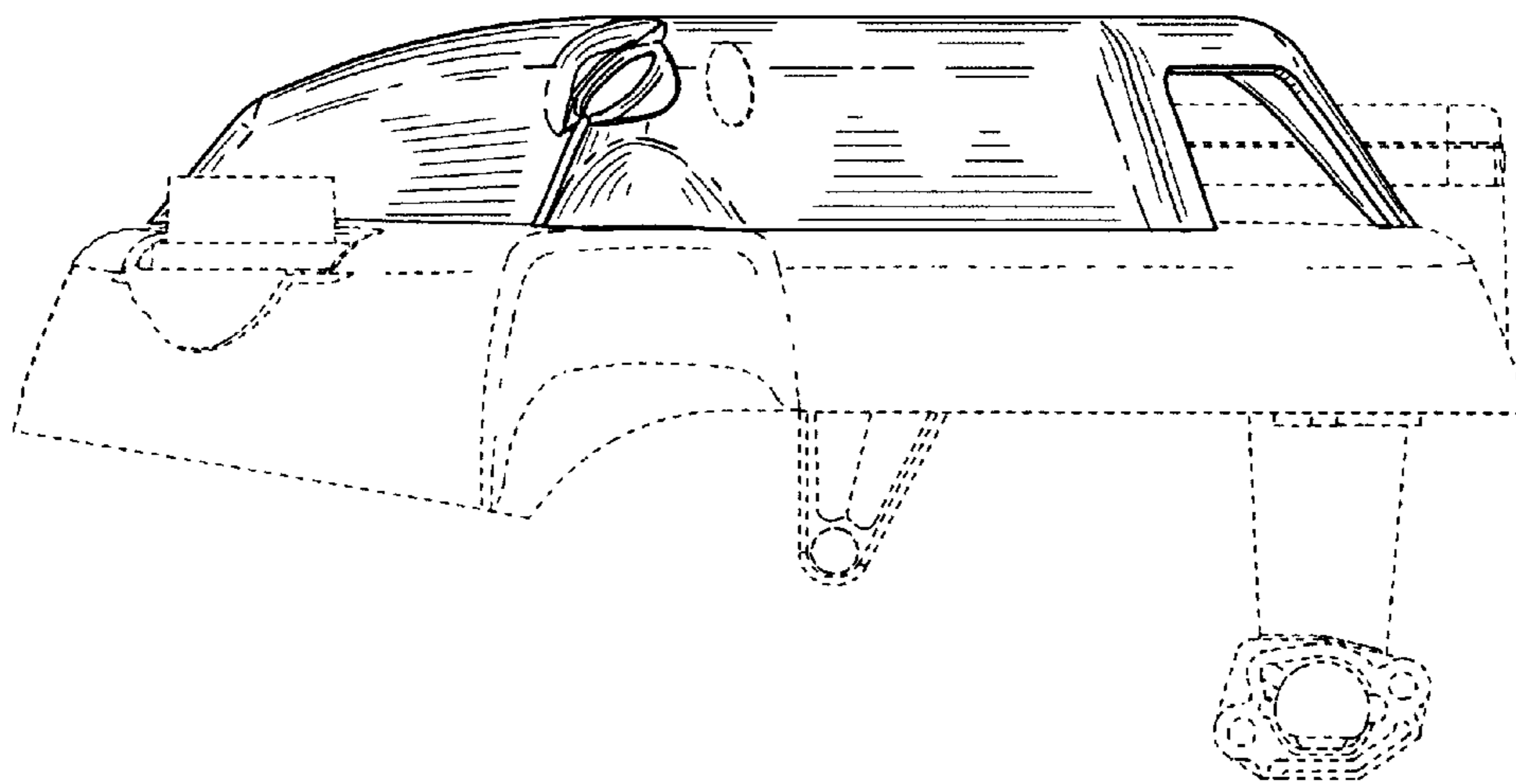


Fig. 6

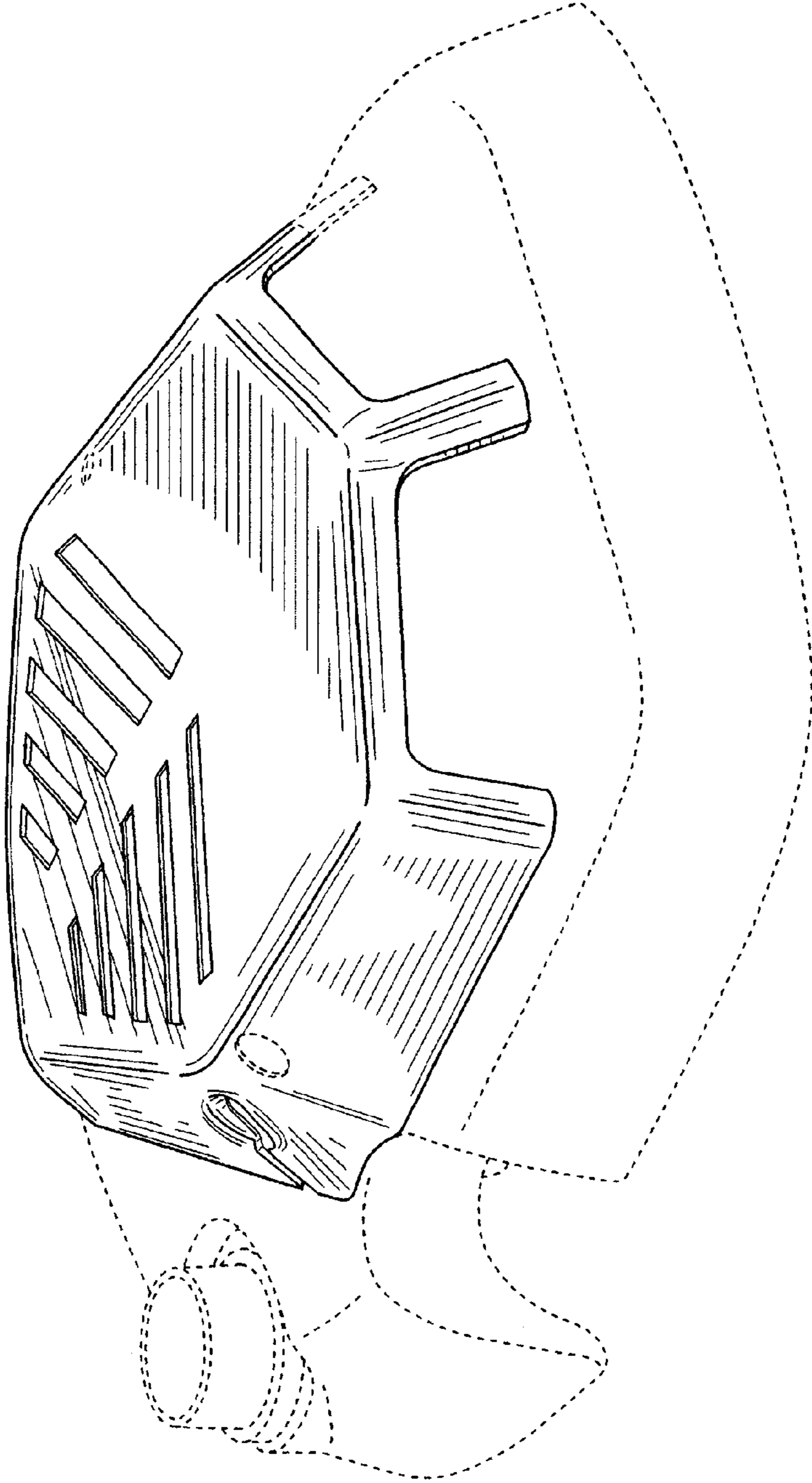


Fig. 7

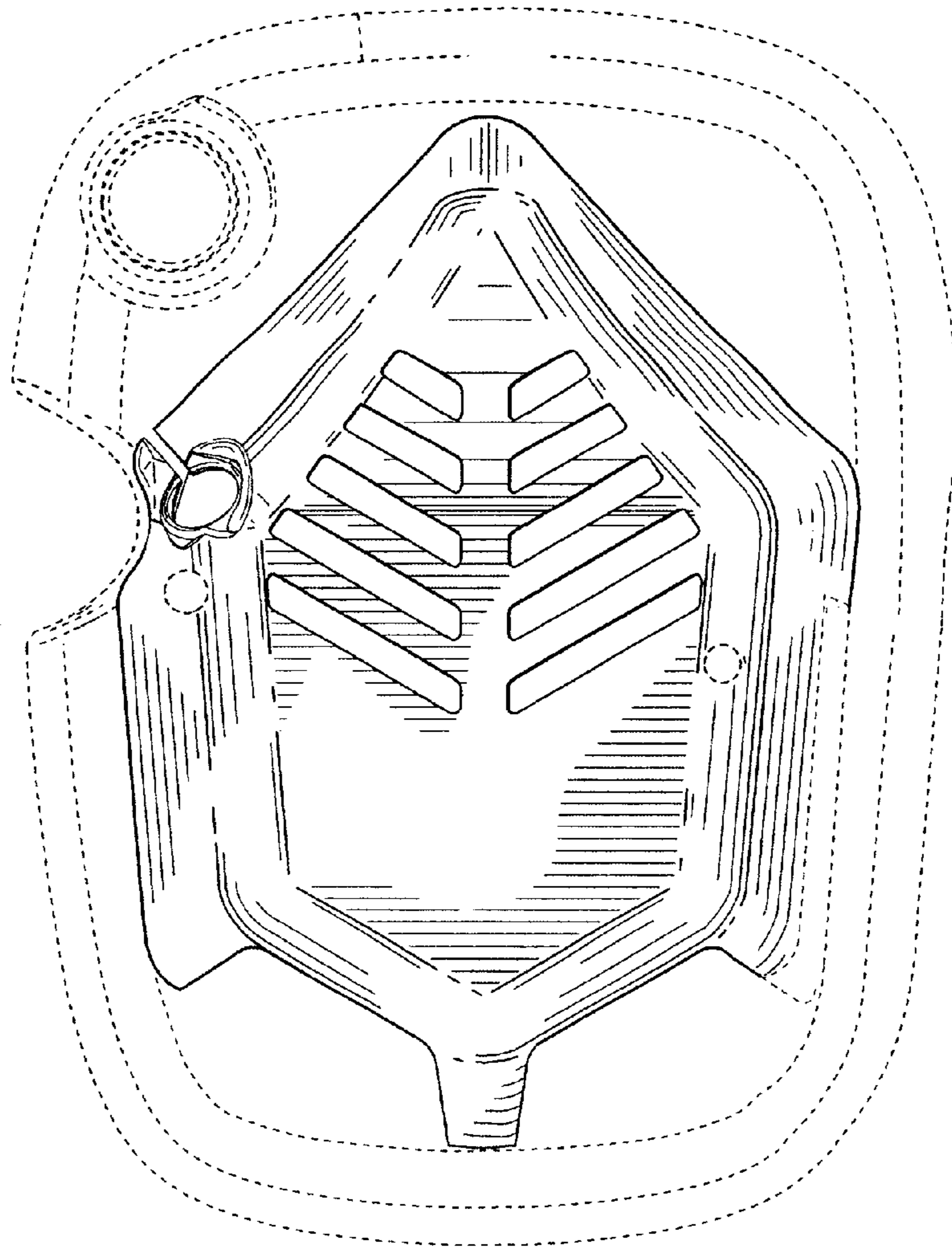


Fig. 8

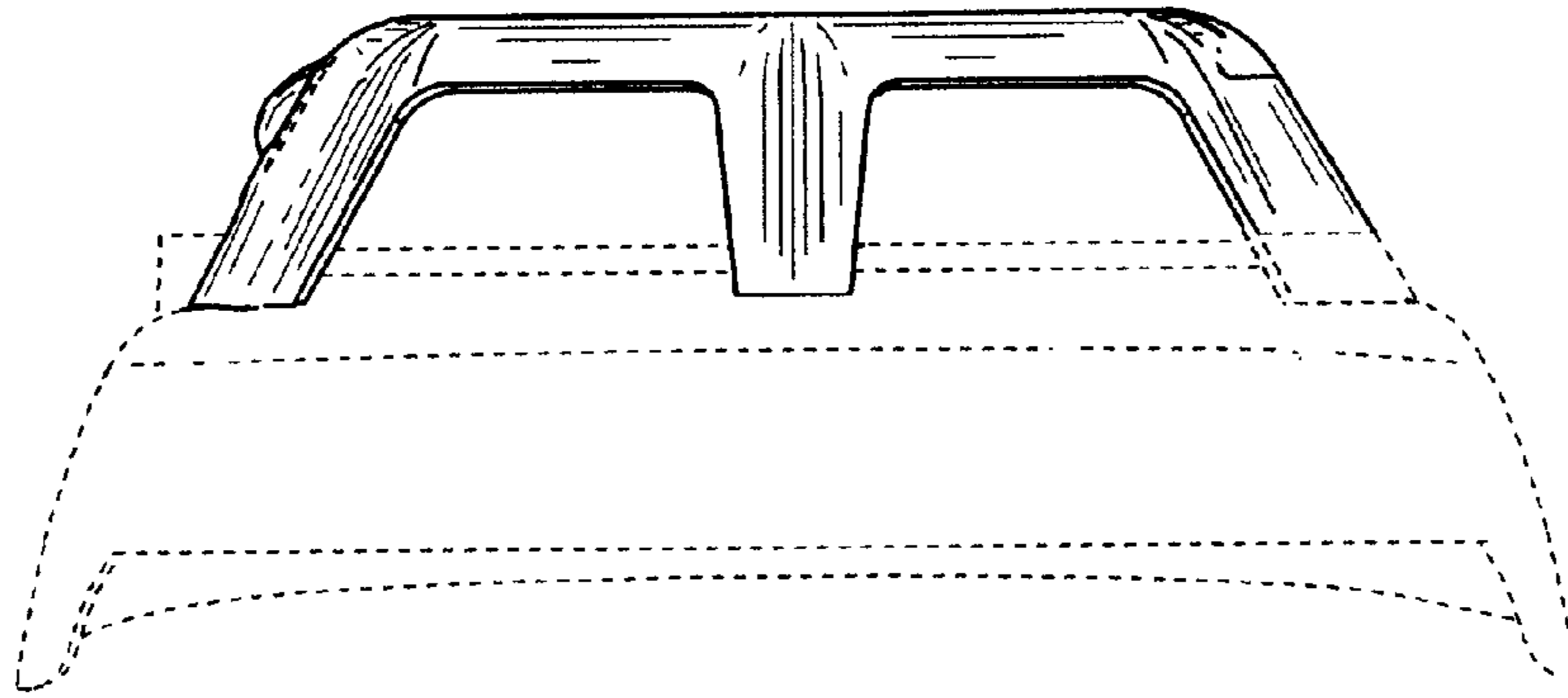


Fig. 9

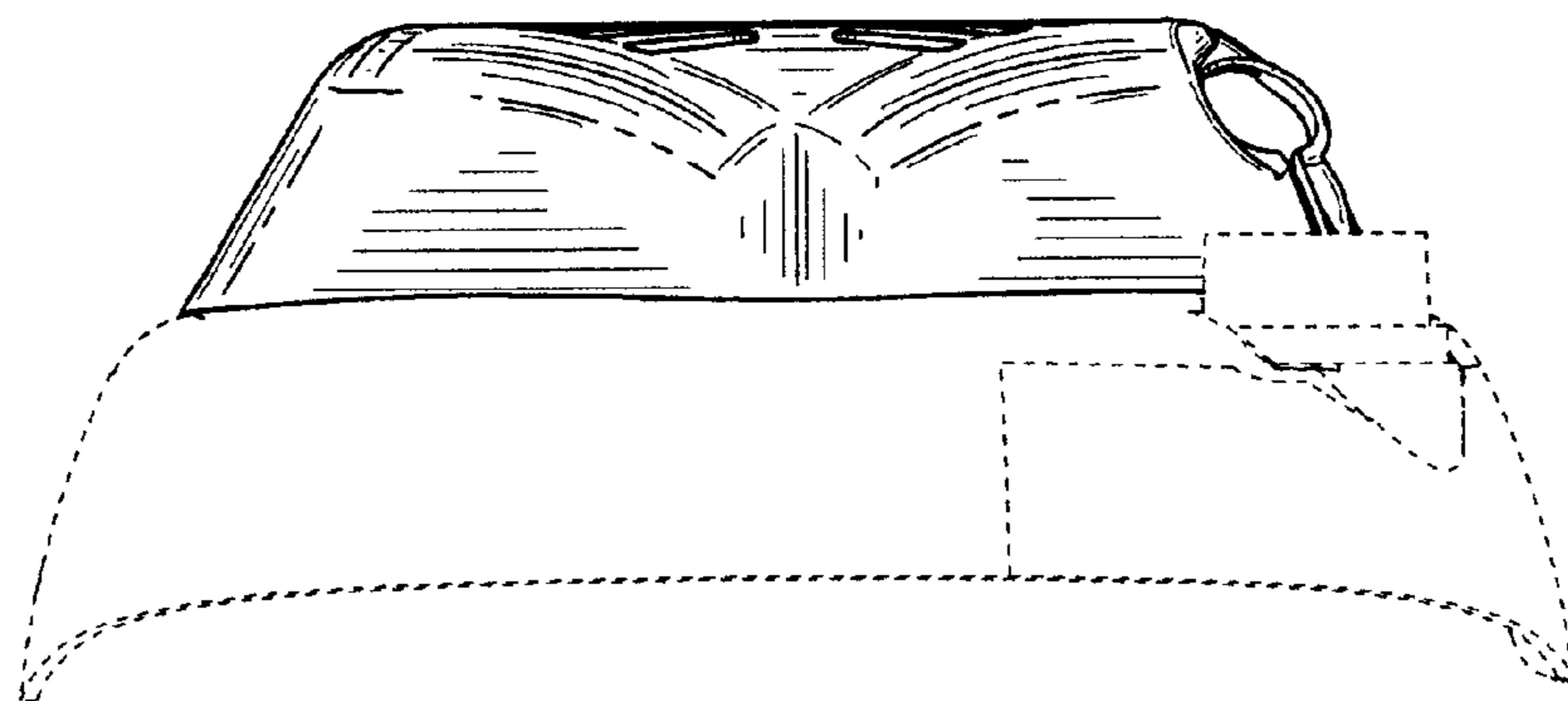


Fig. 10

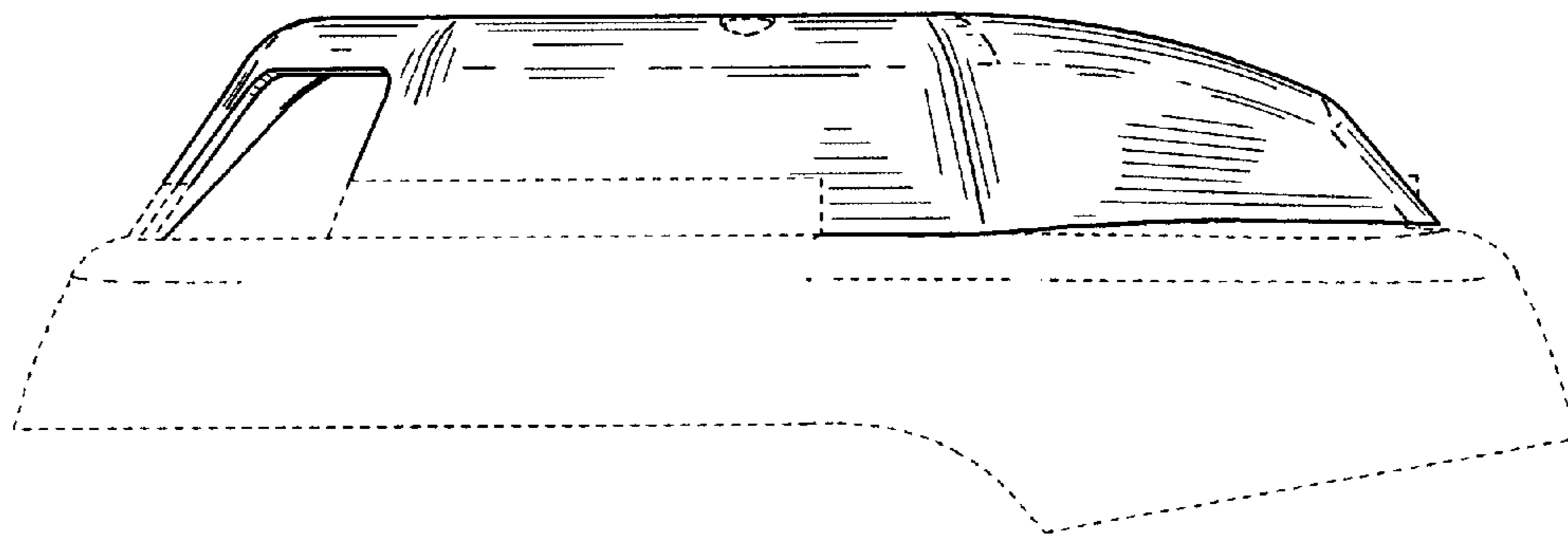


Fig. 11

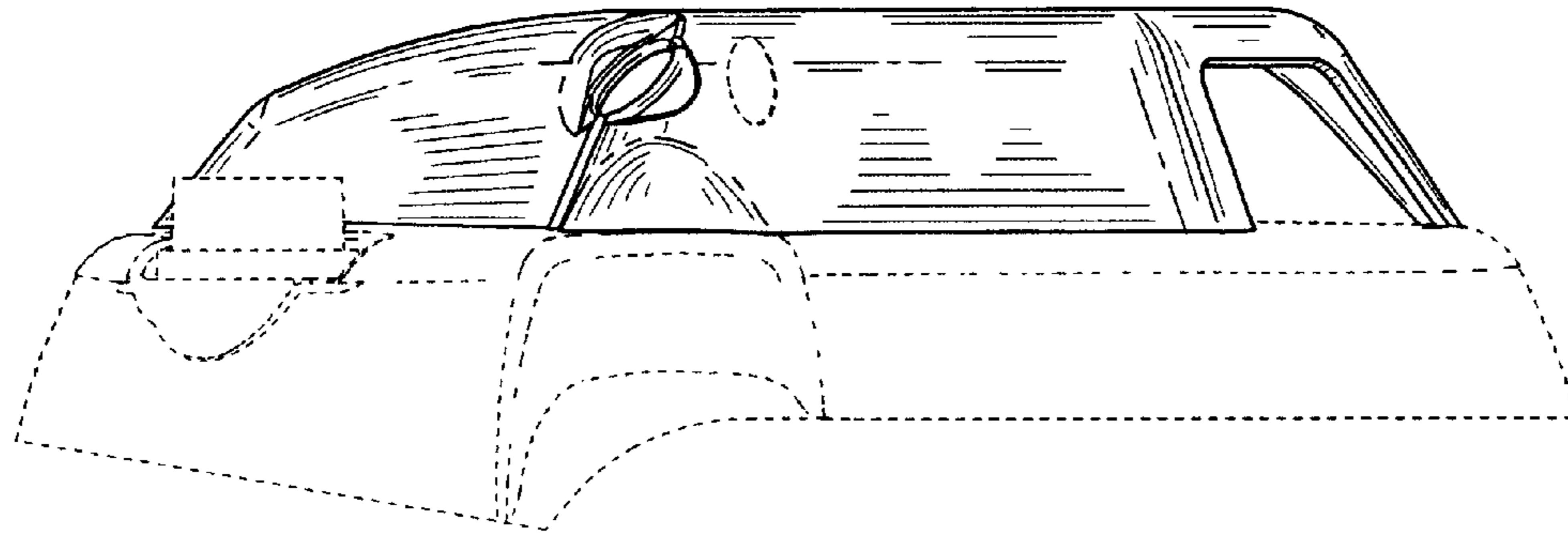


Fig. 12