



US00D532793S

(12) **United States Design Patent**  
**Reverberi**

(10) **Patent No.:** **US D532,793 S**

(45) **Date of Patent:** **\*\* Nov. 28, 2006**

(54) **PISTON PUMP**

**DESCRIPTION**

- (75) Inventor: **Stefano Reverberi**, Modena (IT)
- (73) Assignee: **Annovi Reverberi S.p.A.**, Modena (IT)
- (\*\*) Term: **14 Years**
- (21) Appl. No.: **29/221,515**
- (22) Filed: **Jan. 19, 2005**
- (51) **LOC (8) Cl.** ..... **15-01**
- (52) **U.S. Cl.** ..... **D15/4**
- (58) **Field of Classification Search** ..... D15/1-9.1;  
60/408-409, 443-445, 448, 451, 452; 417/91-98,  
417/60, 360, 366, 900; 123/495, 509, 415,  
123/140-147; 184/26; D13/114; 415/140-117  
See application file for complete search history.

The patent or application file contains at least one drawing executed in color. Copies of this patent or patent application publication with color drawings will be provided by the Office upon request and payment of the necessary fee.

FIG. 1 is a front view of a first embodiment of a piston pump in accordance with my design;

FIG. 2 is a rear view thereof;

FIG. 3 is a view thereof from the lower end of FIG. 1;

FIG. 4 is a view thereof from the upper end of FIG. 1;

FIG. 5 is a view thereof from the right end of FIG. 1; and

FIG. 6 is a view from the left end of FIG. 1;

FIG. 7 is a front view of a second embodiment of a piston pump according to my design;

FIG. 8 is a rear view thereof

FIG. 9 is a view thereof from the lower end of FIG. 6;

FIG. 10 is a view thereof from the upper end of FIG. 6;

FIG. 11 is a view thereof from the right end of FIG. 6;

FIG. 12 is a view thereof from the left end of FIG. 6;

FIG. 13 is a front view of the third embodiment of a piston pump according to my design;

FIG. 14 is a rear view thereof

FIG. 15 is a view thereof from the lower end of FIG. 12;

FIG. 16 is a view thereof from the upper end of FIG. 12;

FIG. 17 is a view thereof from the right end of FIG. 12; and,

FIG. 18 is a view thereof from the left end of FIG. 12.

(56) **References Cited**

**U.S. PATENT DOCUMENTS**

D271,976 S	*	12/1983	Brown	.....	D15/7
D273,586 S	*	4/1984	Hodgson	.....	D15/7
D294,358 S	*	2/1988	Valentin	.....	D15/7
D456,819 S	*	5/2002	Sebion et al.	.....	D15/7

\* cited by examiner

*Primary Examiner*—Ian Simmons

*Assistant Examiner*—Maurice Stevens

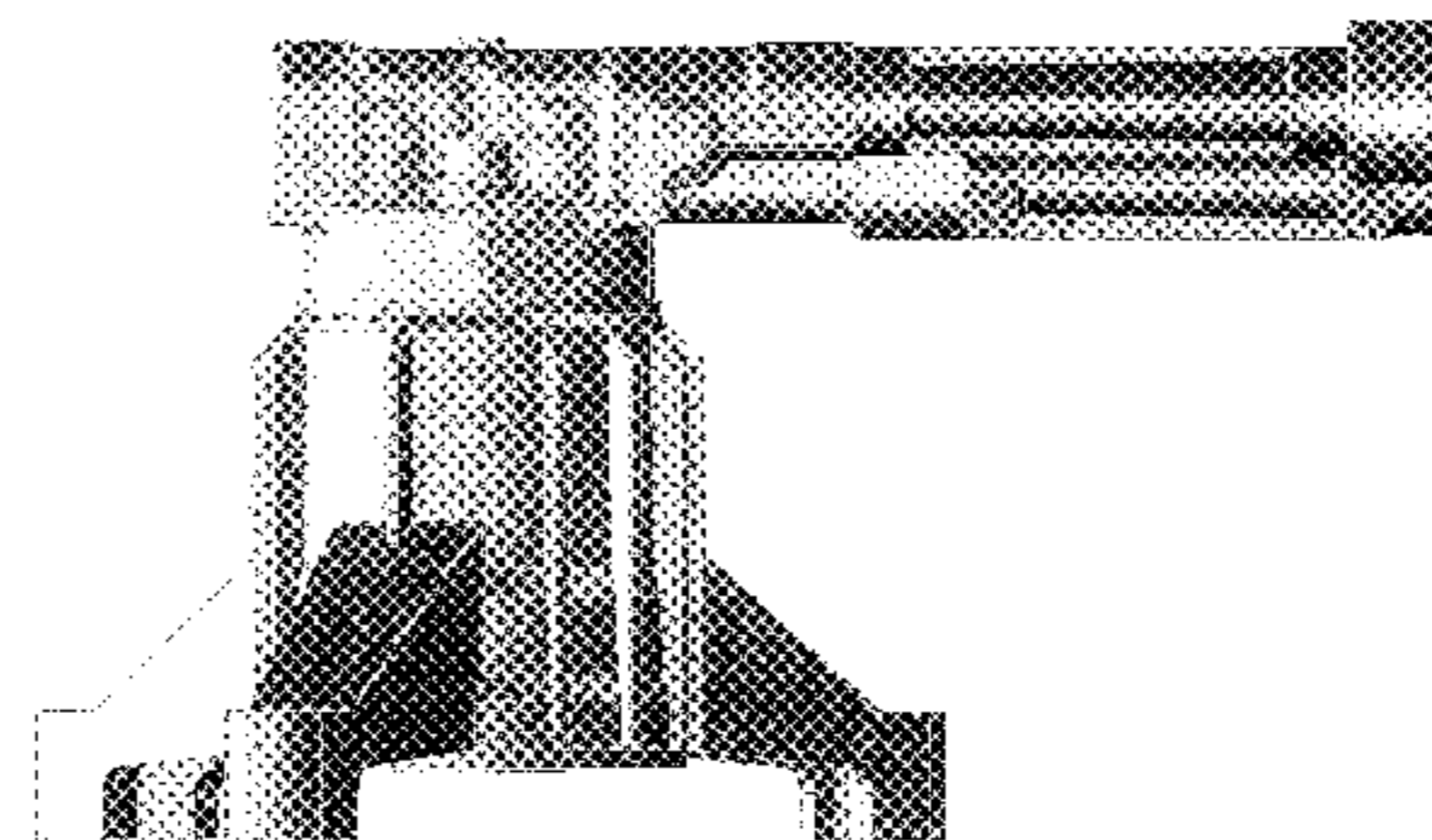
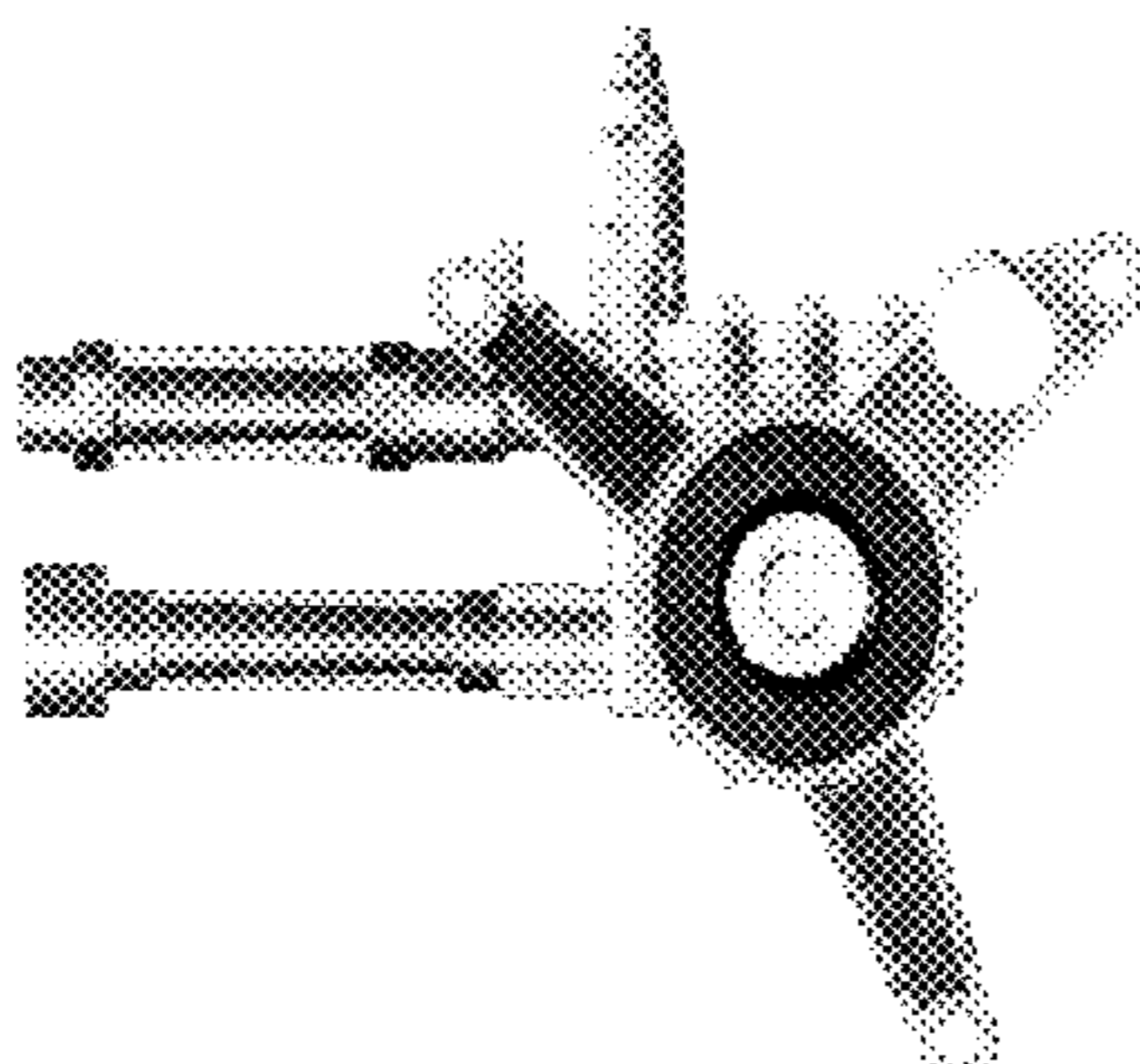
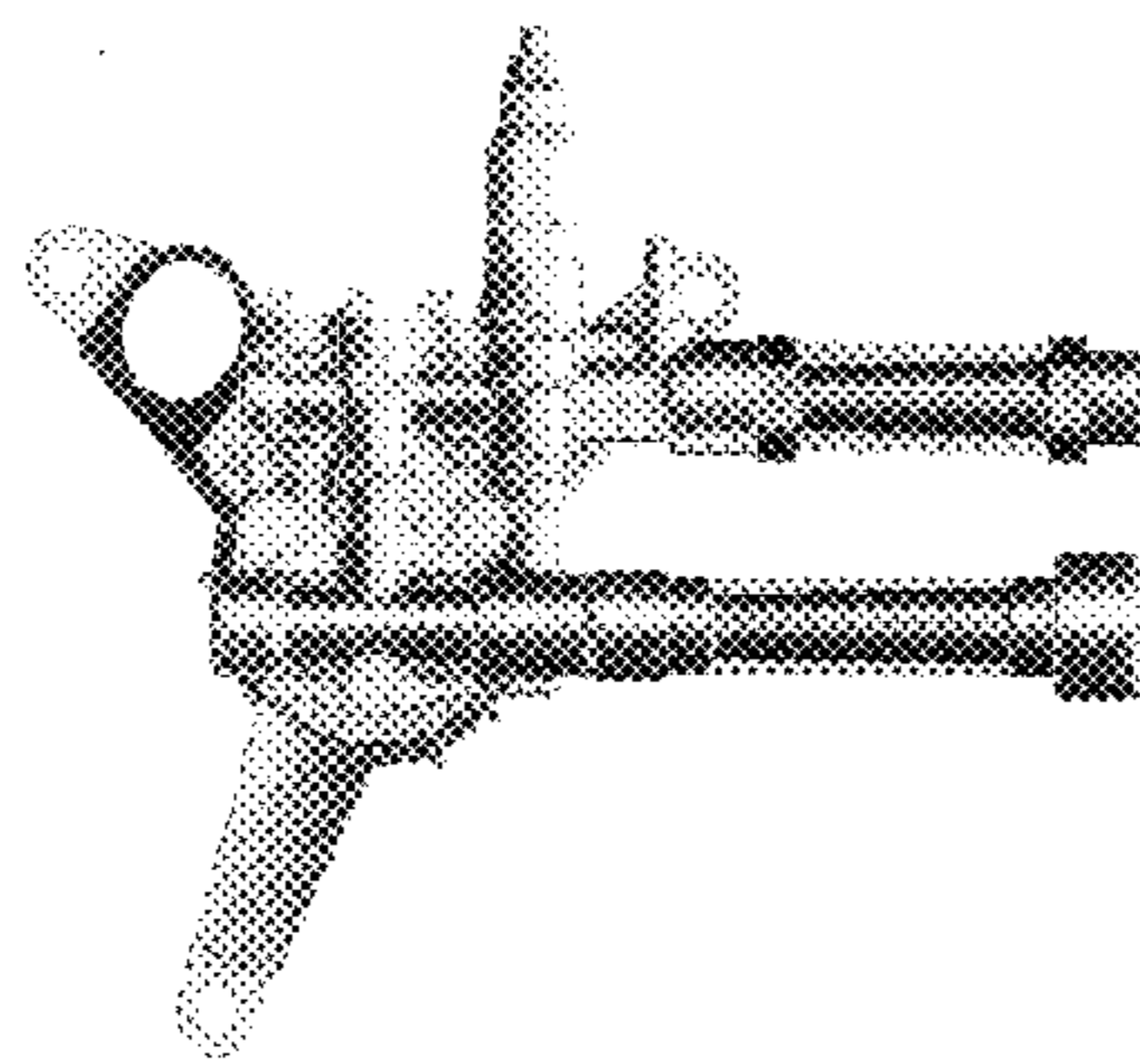
(74) *Attorney, Agent, or Firm*—Browdy and Neimark, PLLC

(57) **CLAIM**

The ornamental design for “piston pump,” as shown and described.

**1 Claim, 9 Drawing Sheets**

**(6 of 9 Drawing Sheet(s) Filed in Color)**



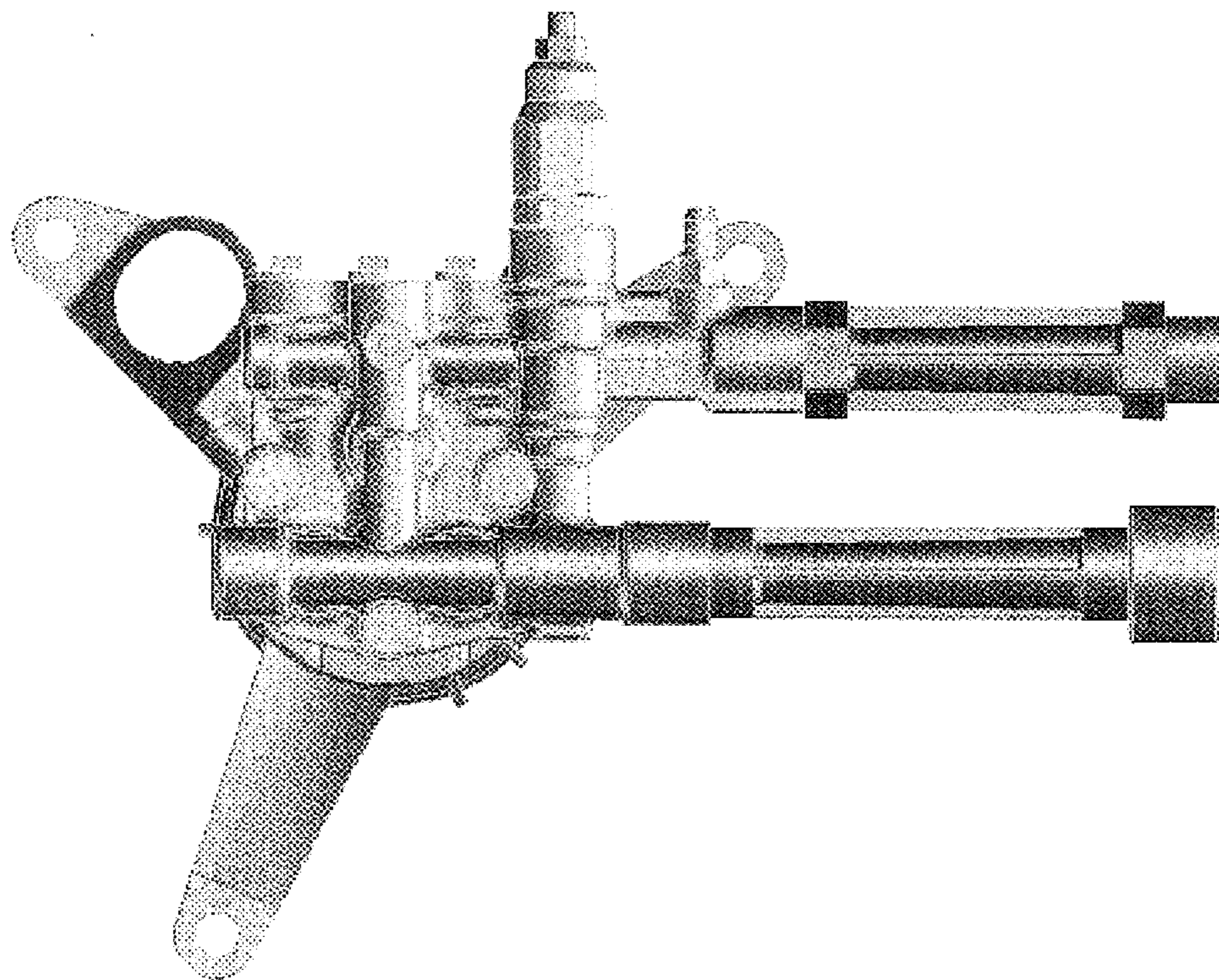


FIG. 1

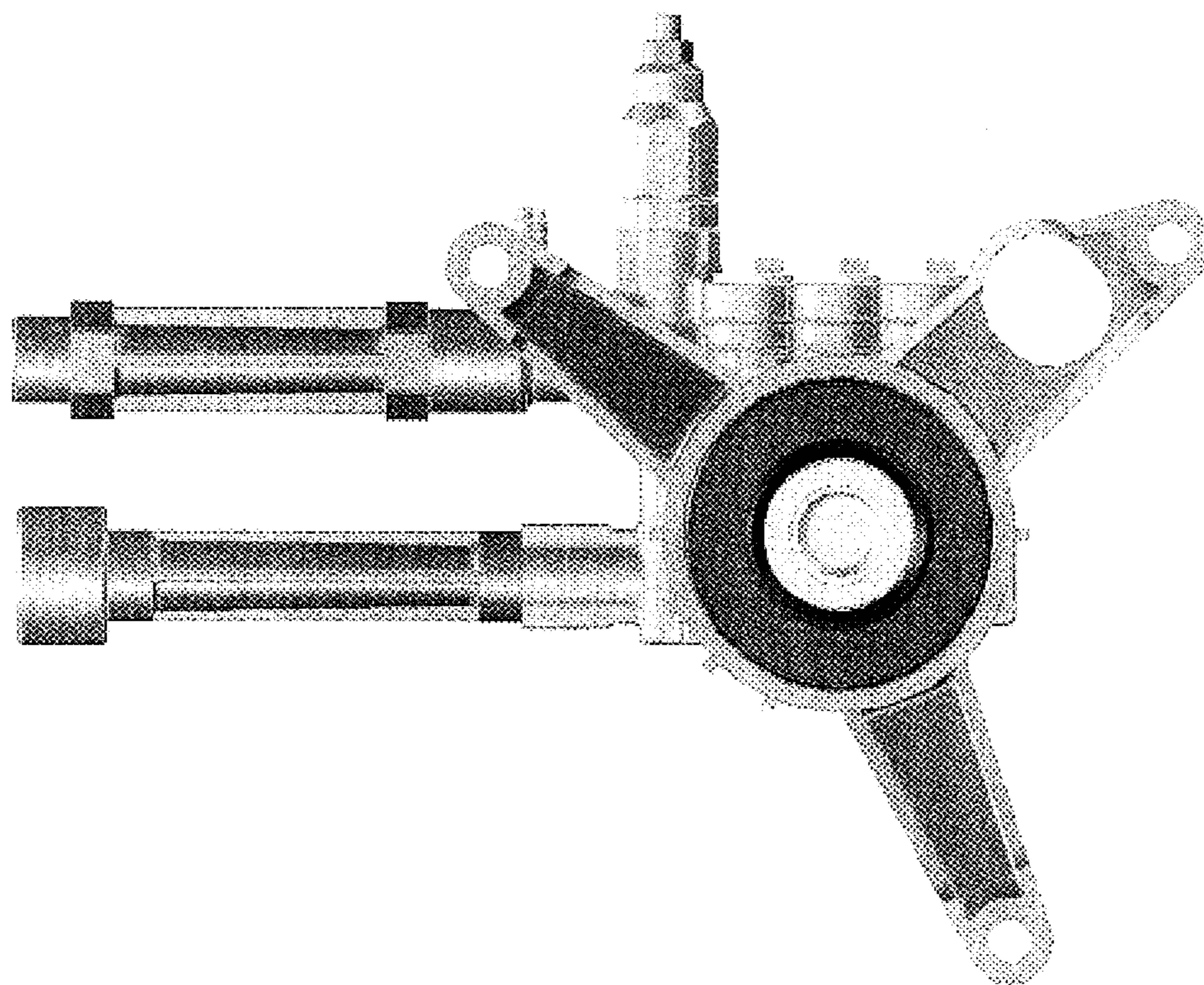


FIG. 2

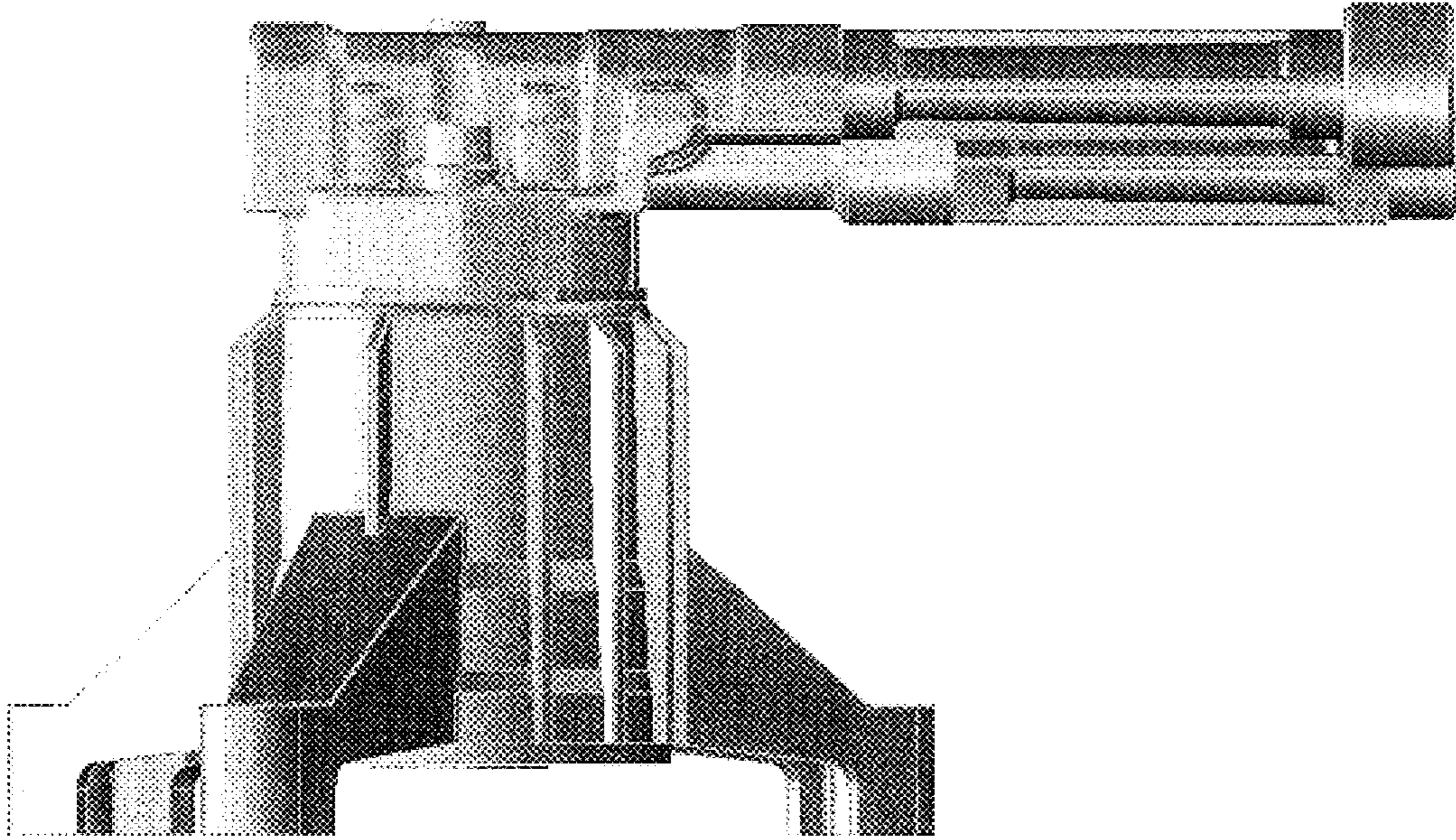


FIG. 3

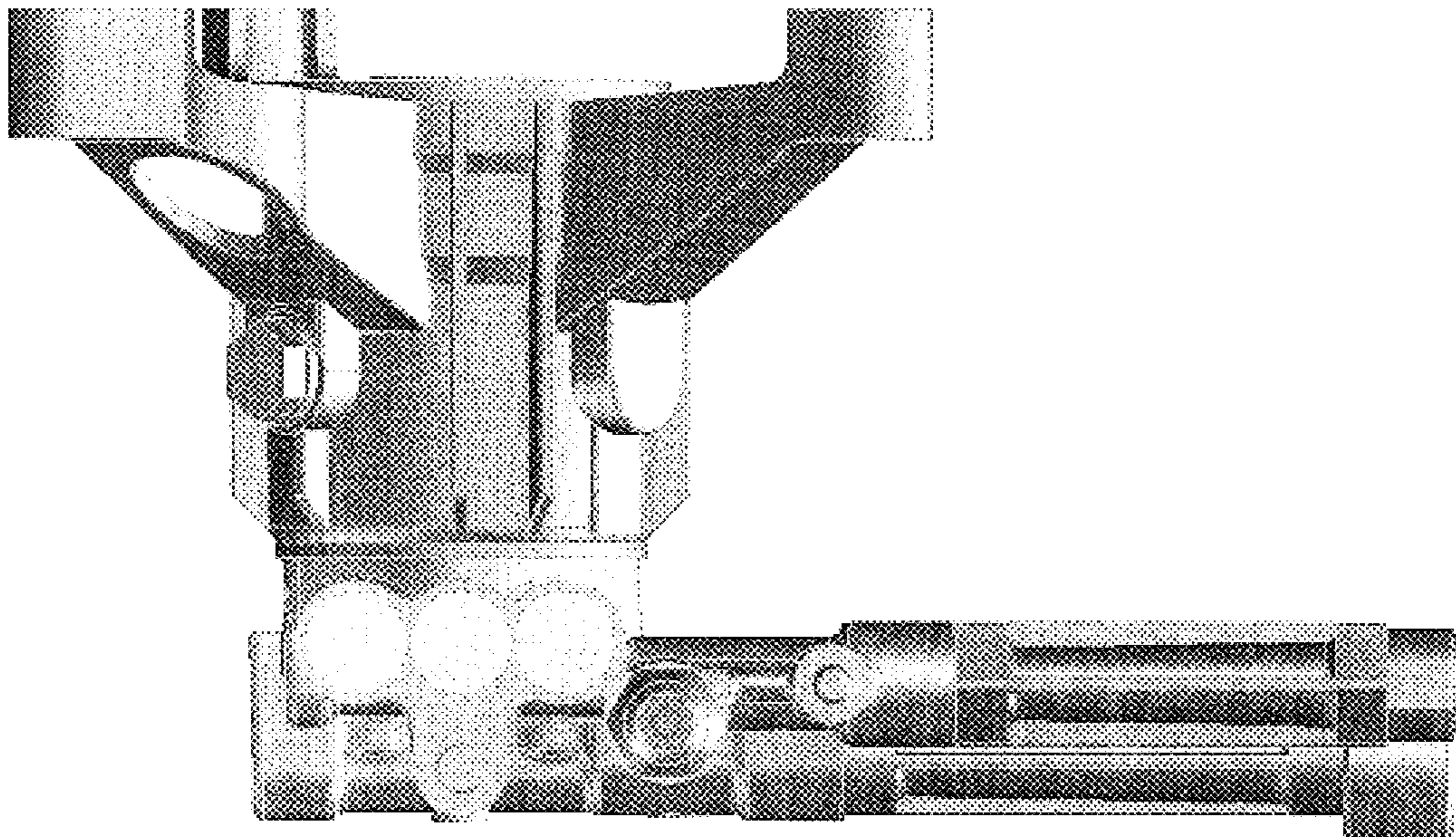


FIG. 4

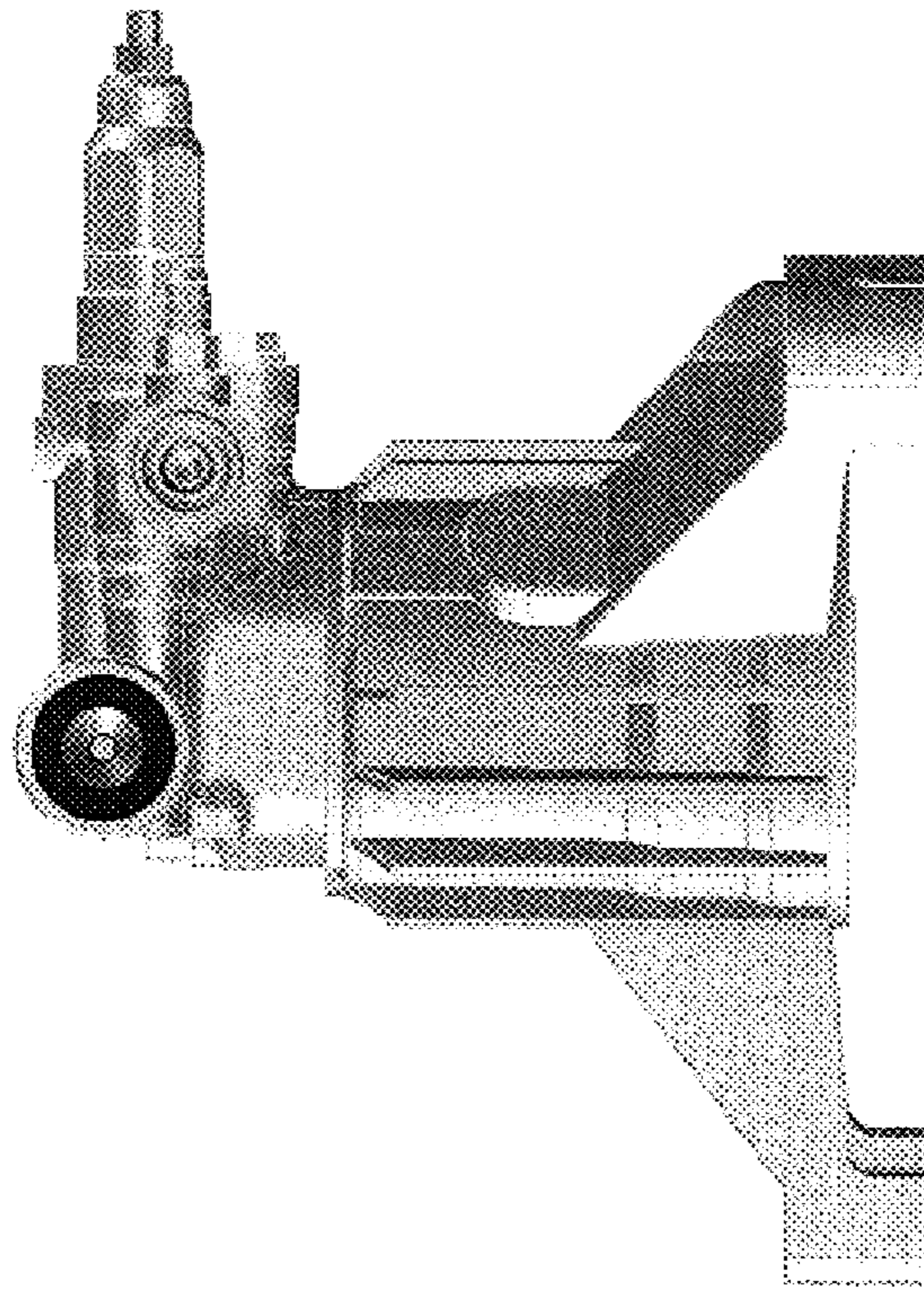


FIG. 5

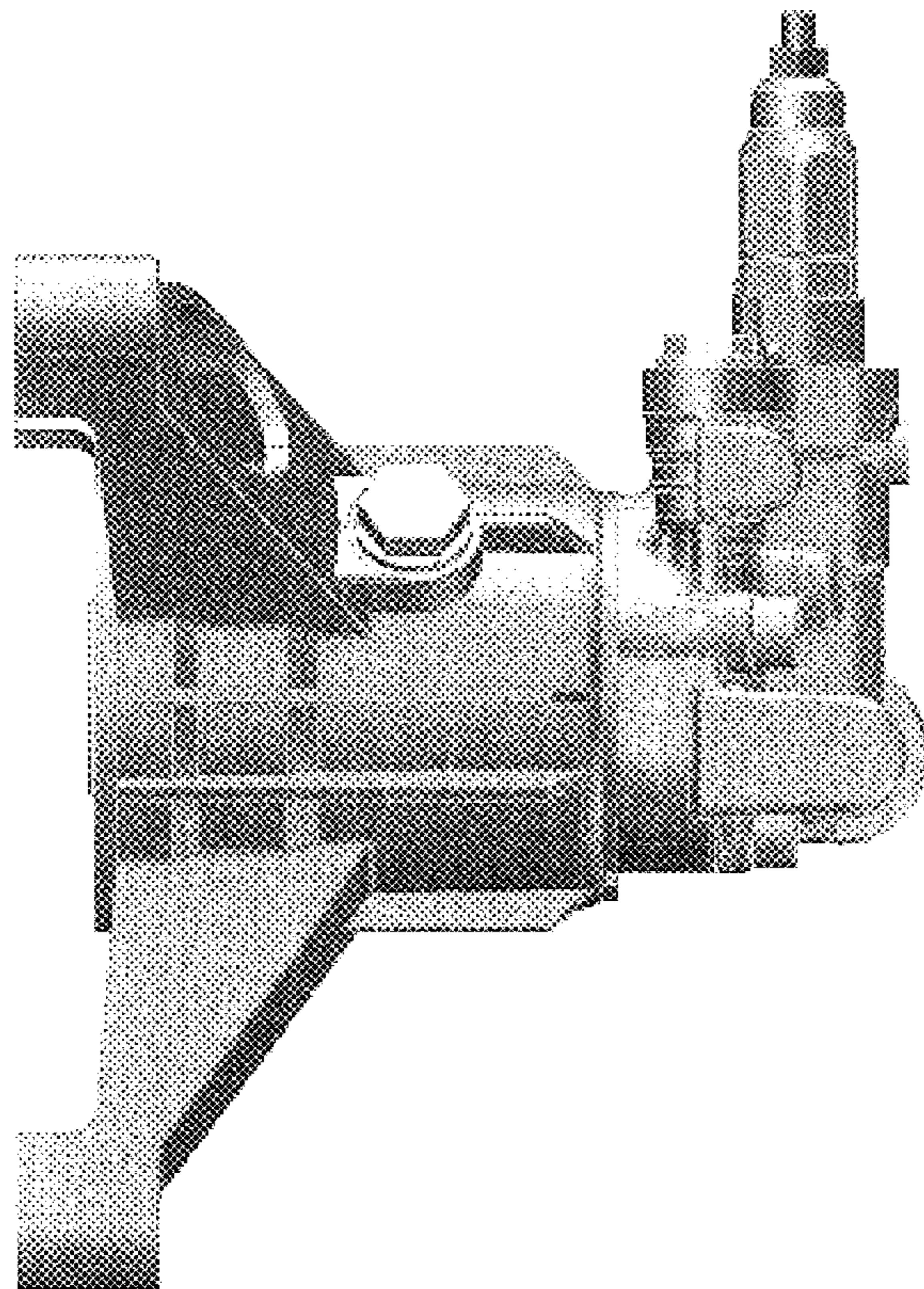


FIG. 6

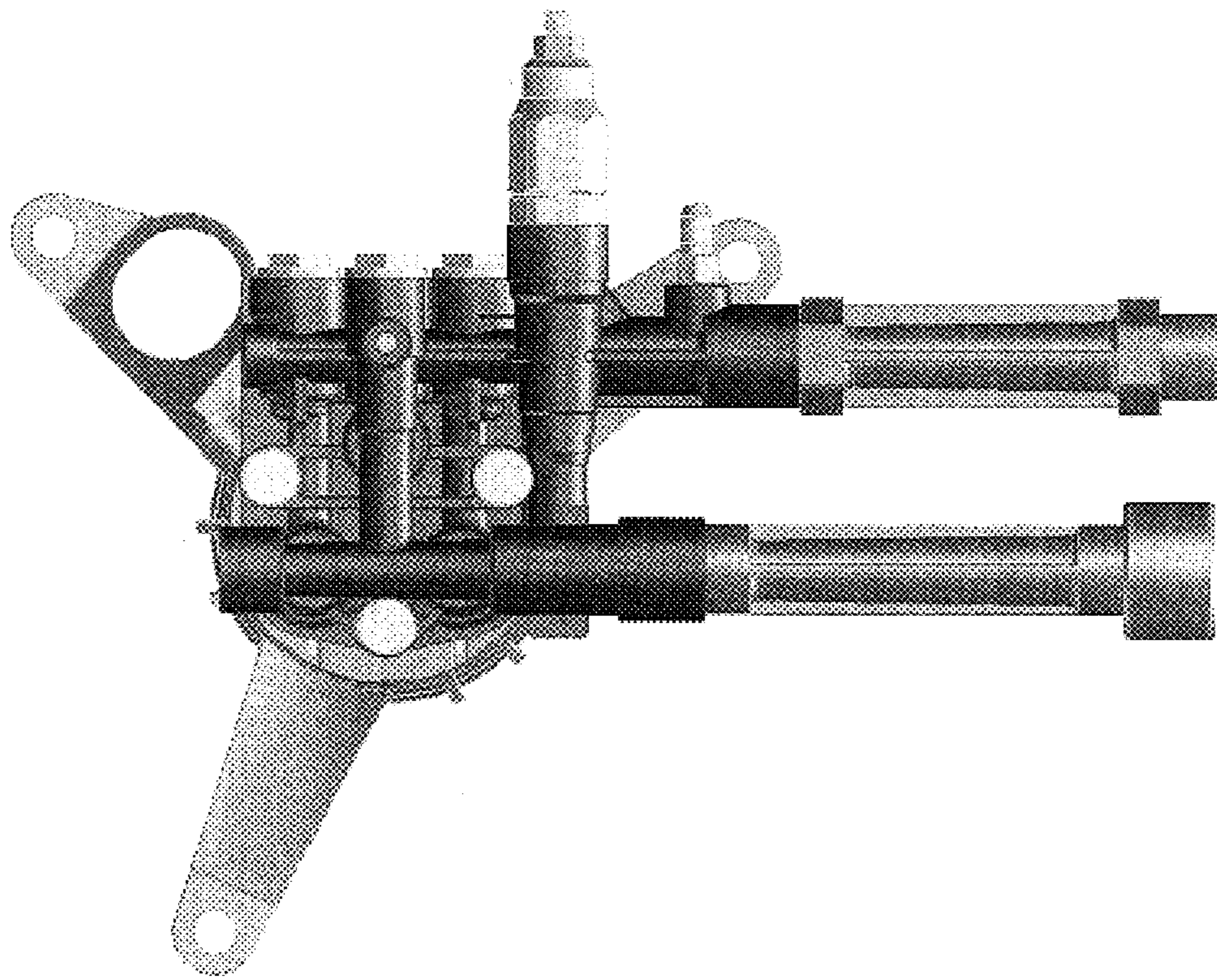


FIG. 7

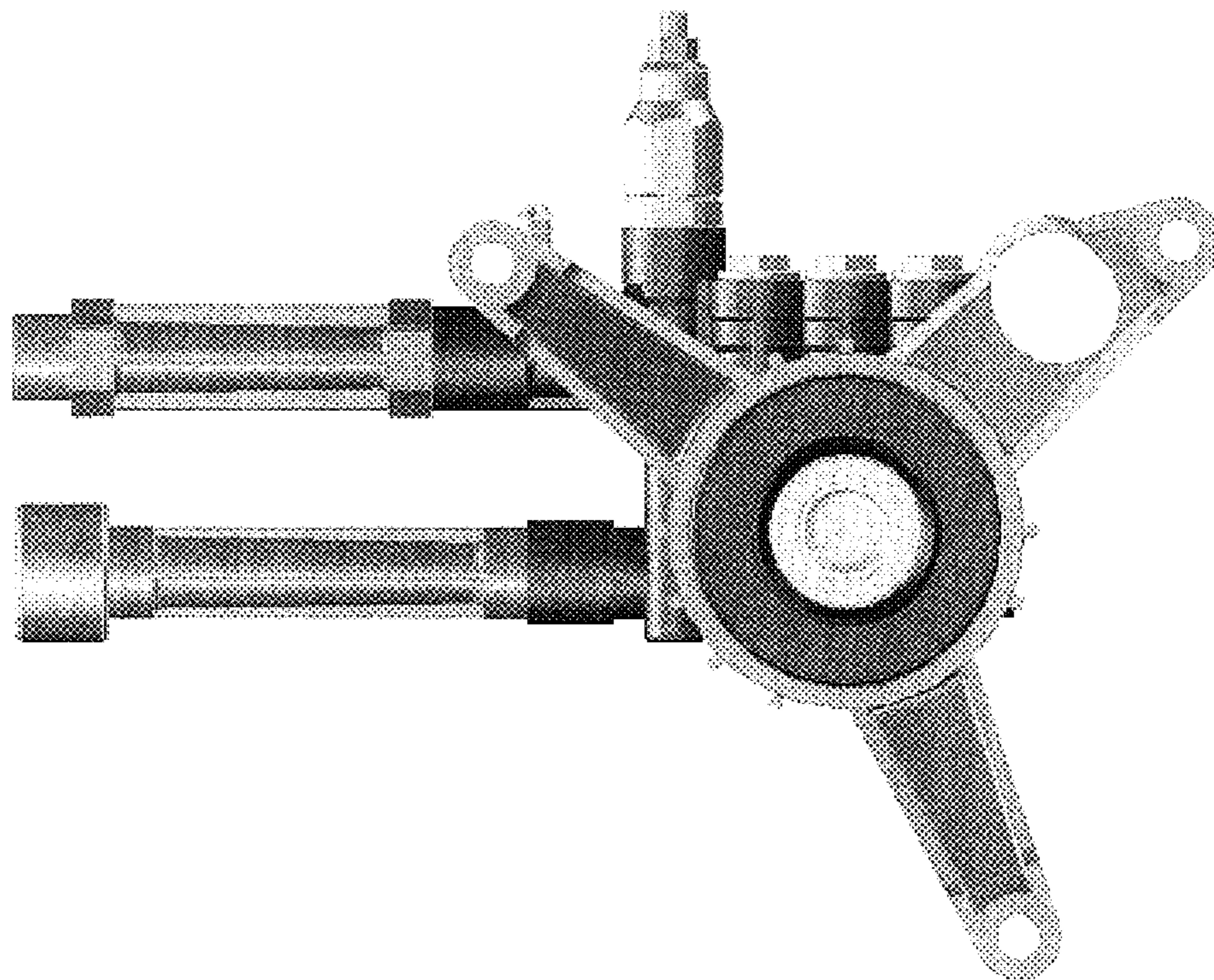


FIG. 8

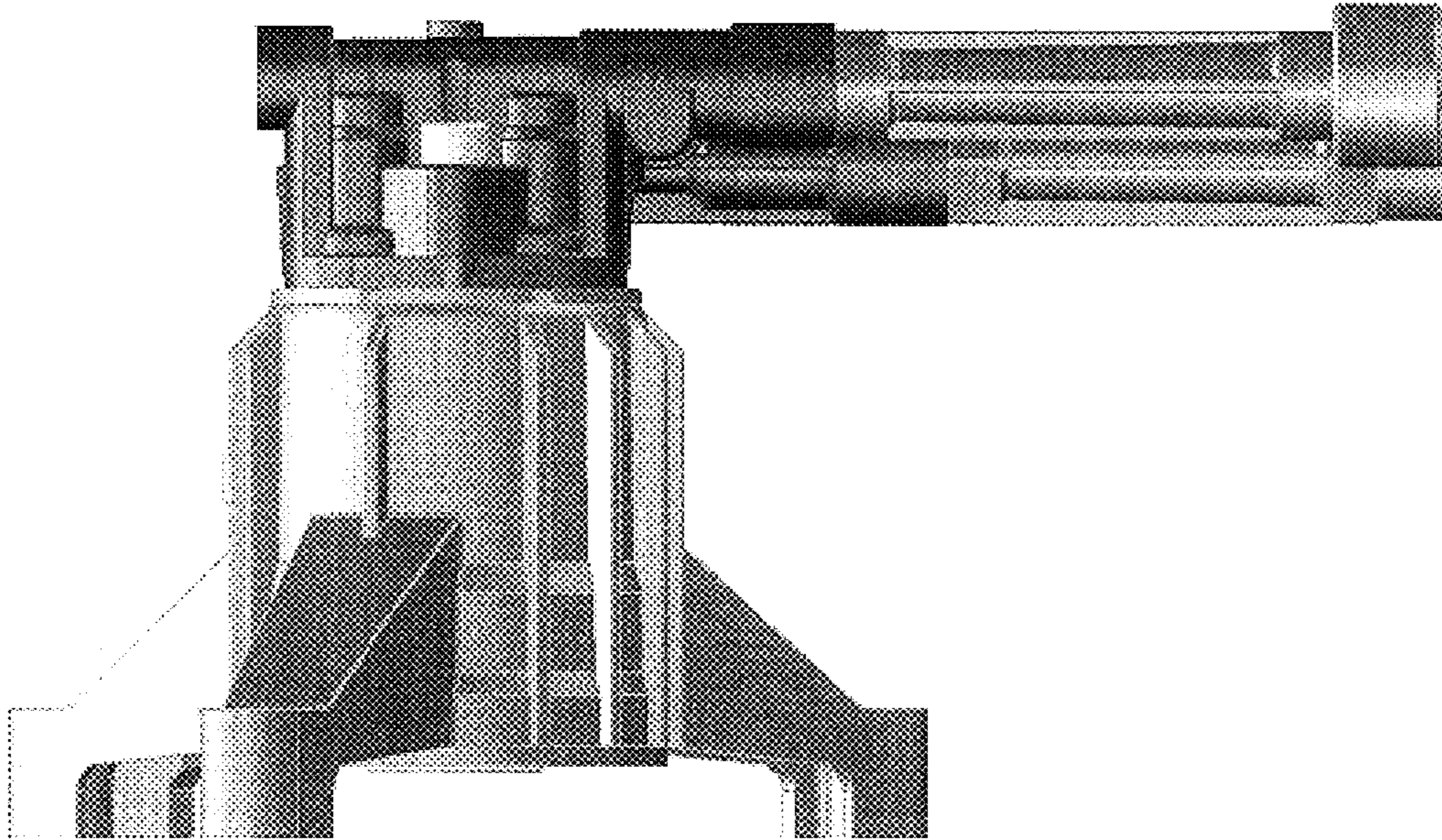


FIG. 9

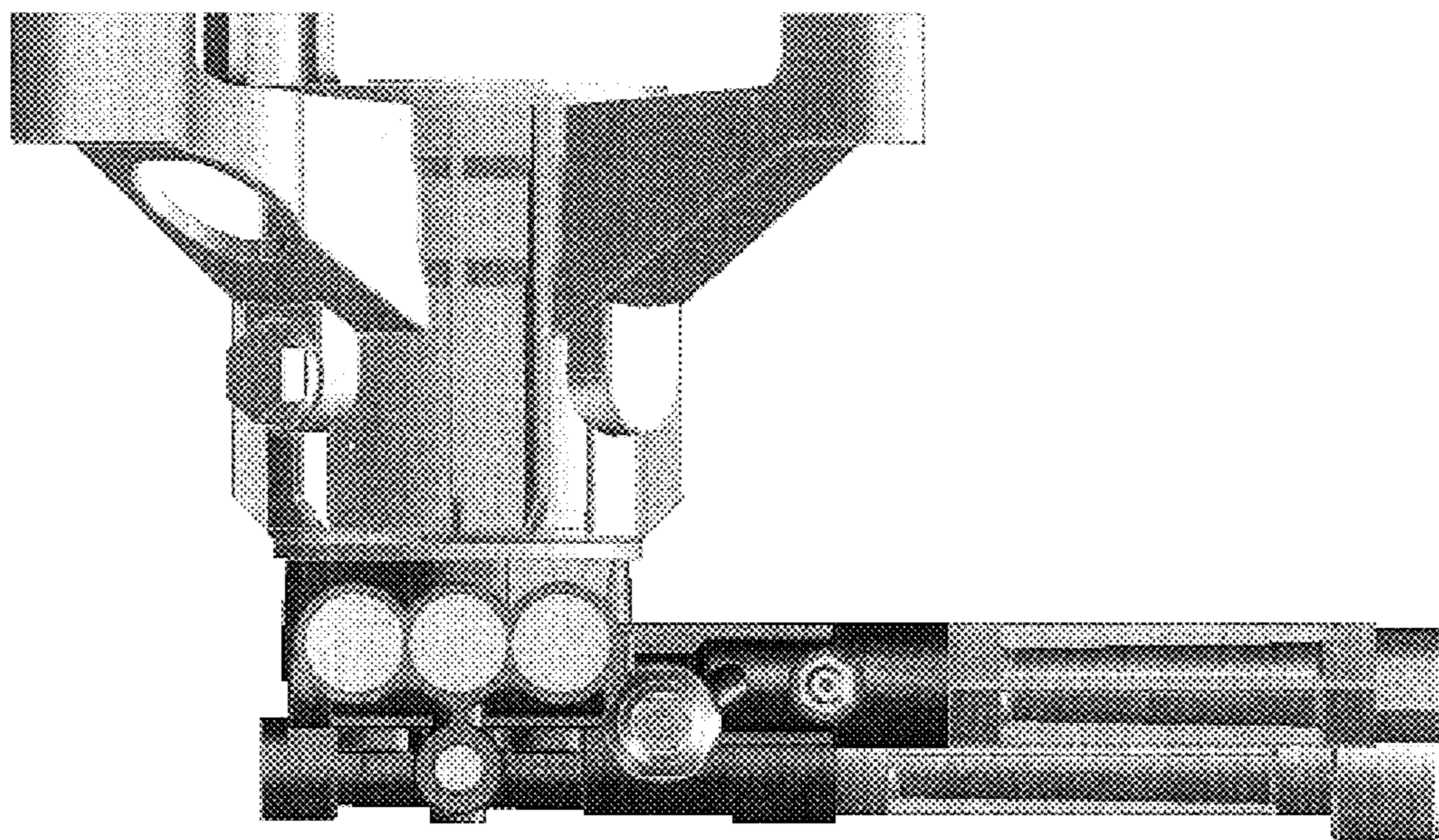


FIG. 10

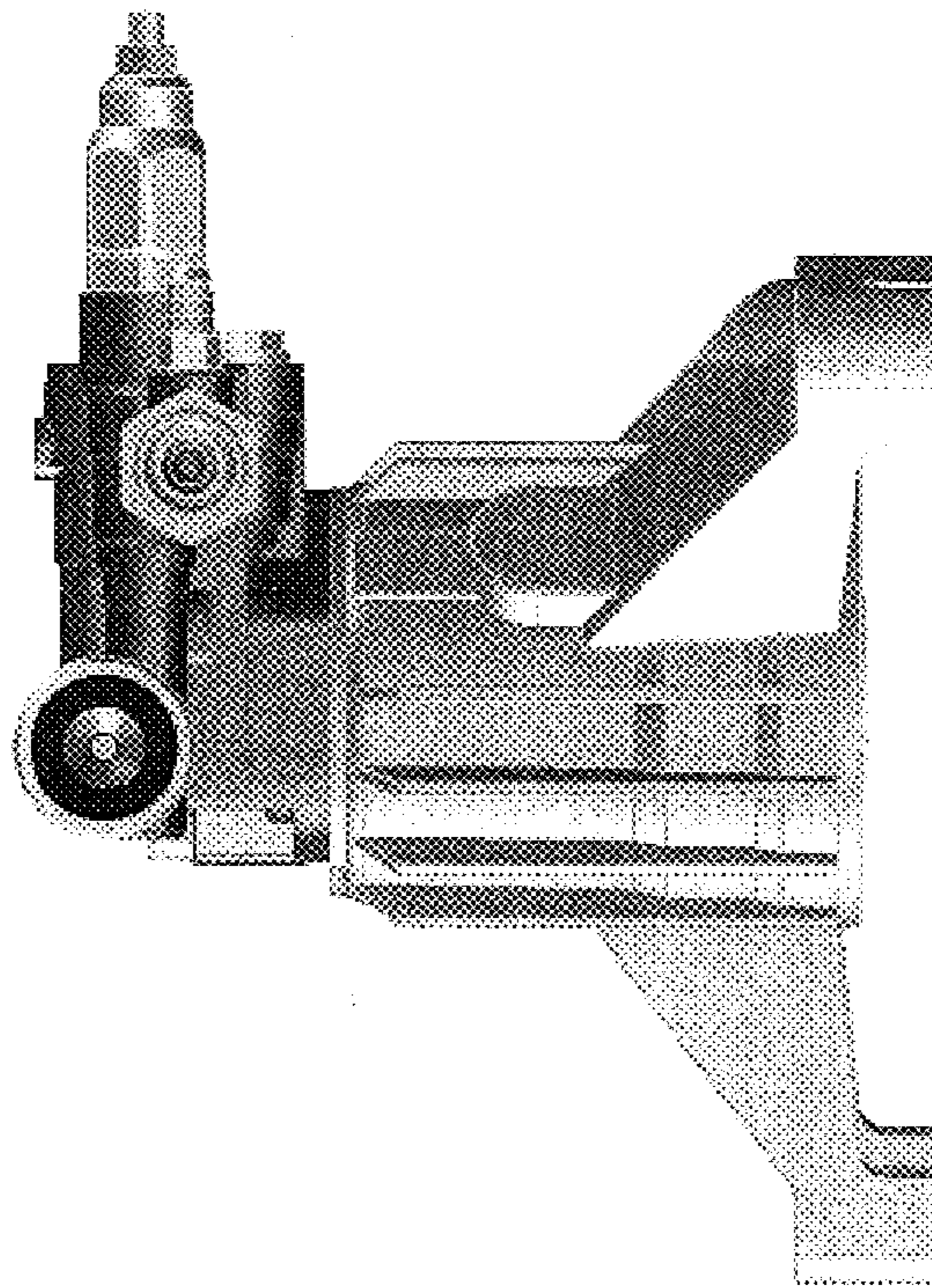


FIG. 11

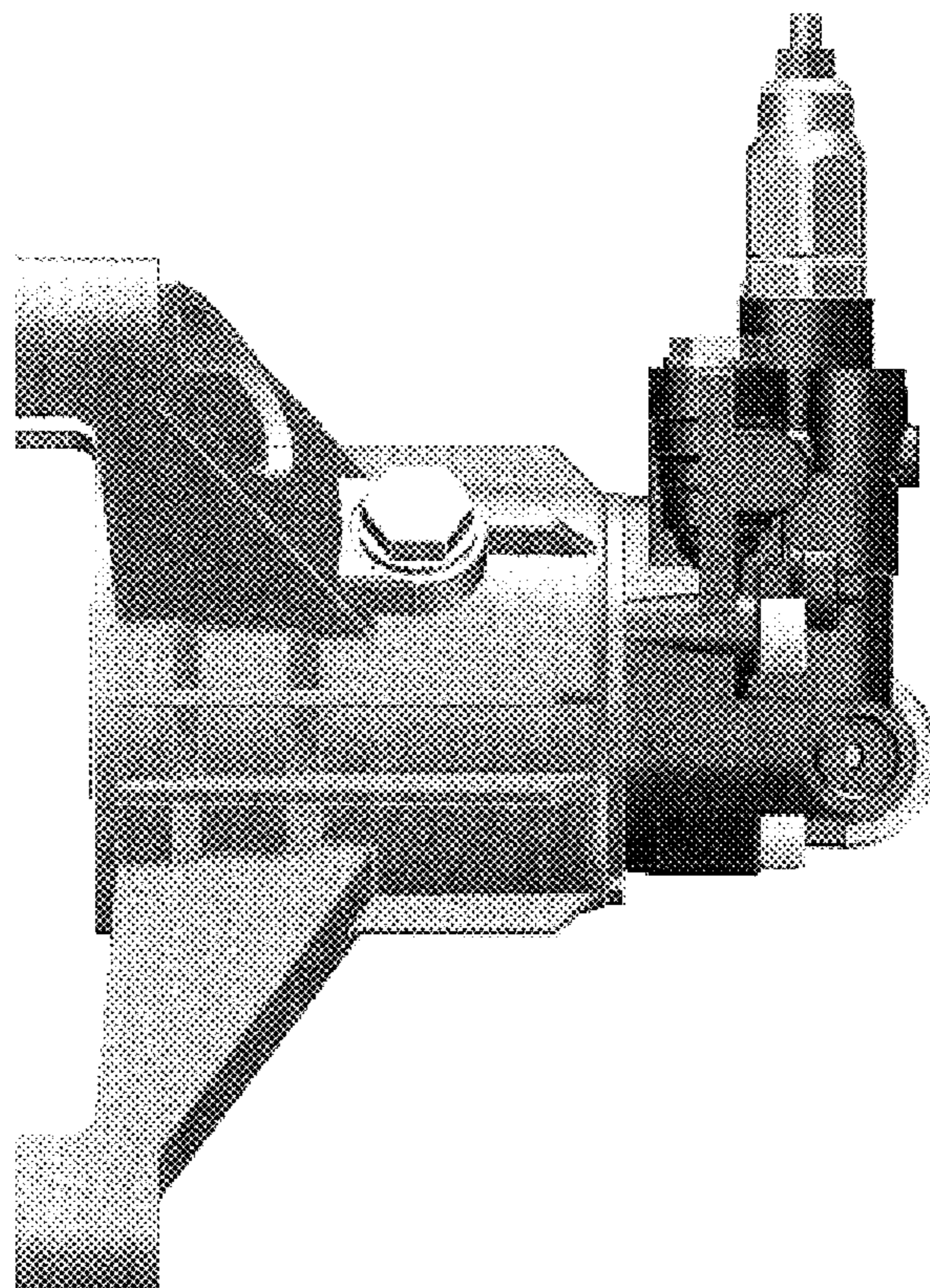


FIG. 12

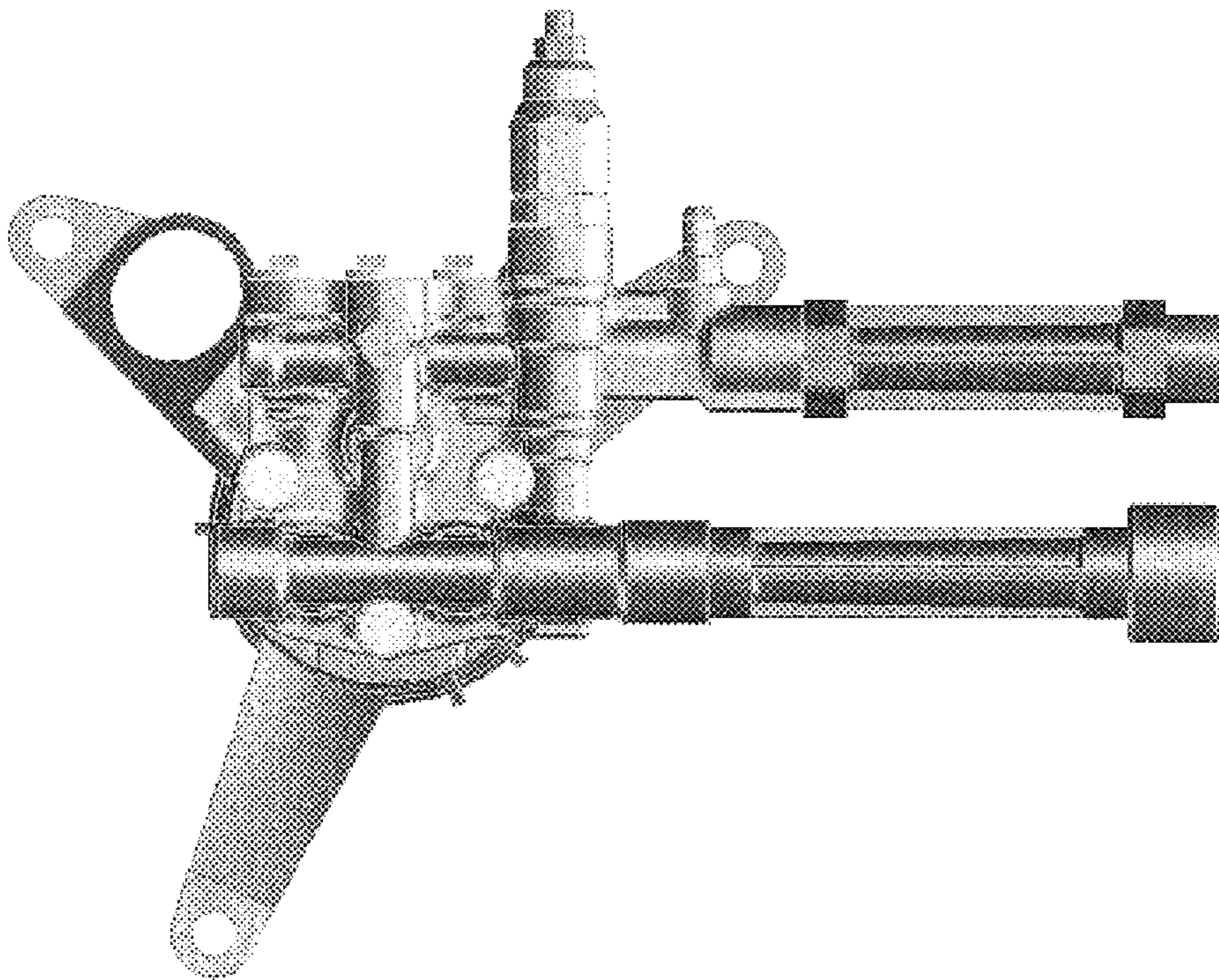


FIG. 13

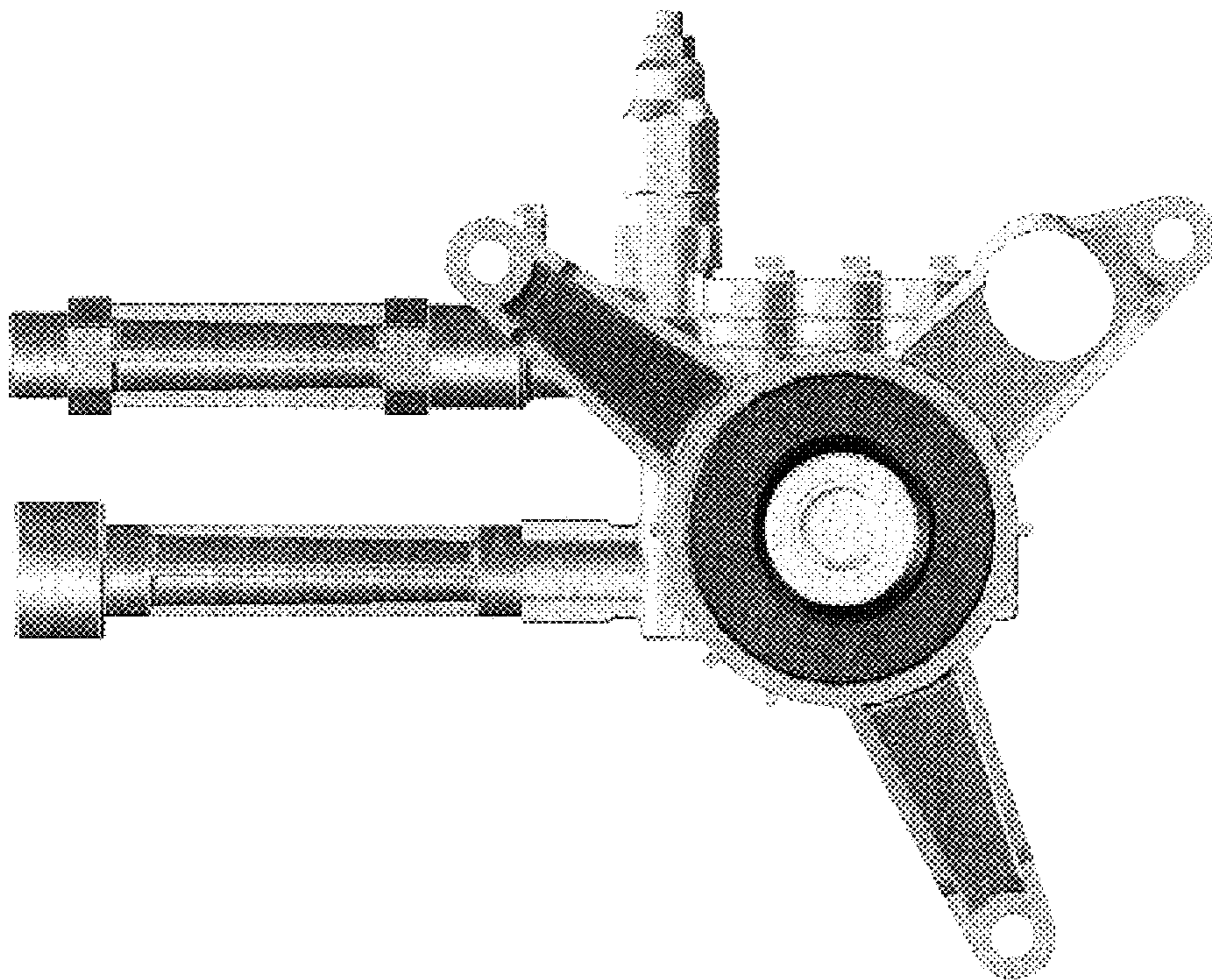


FIG. 14



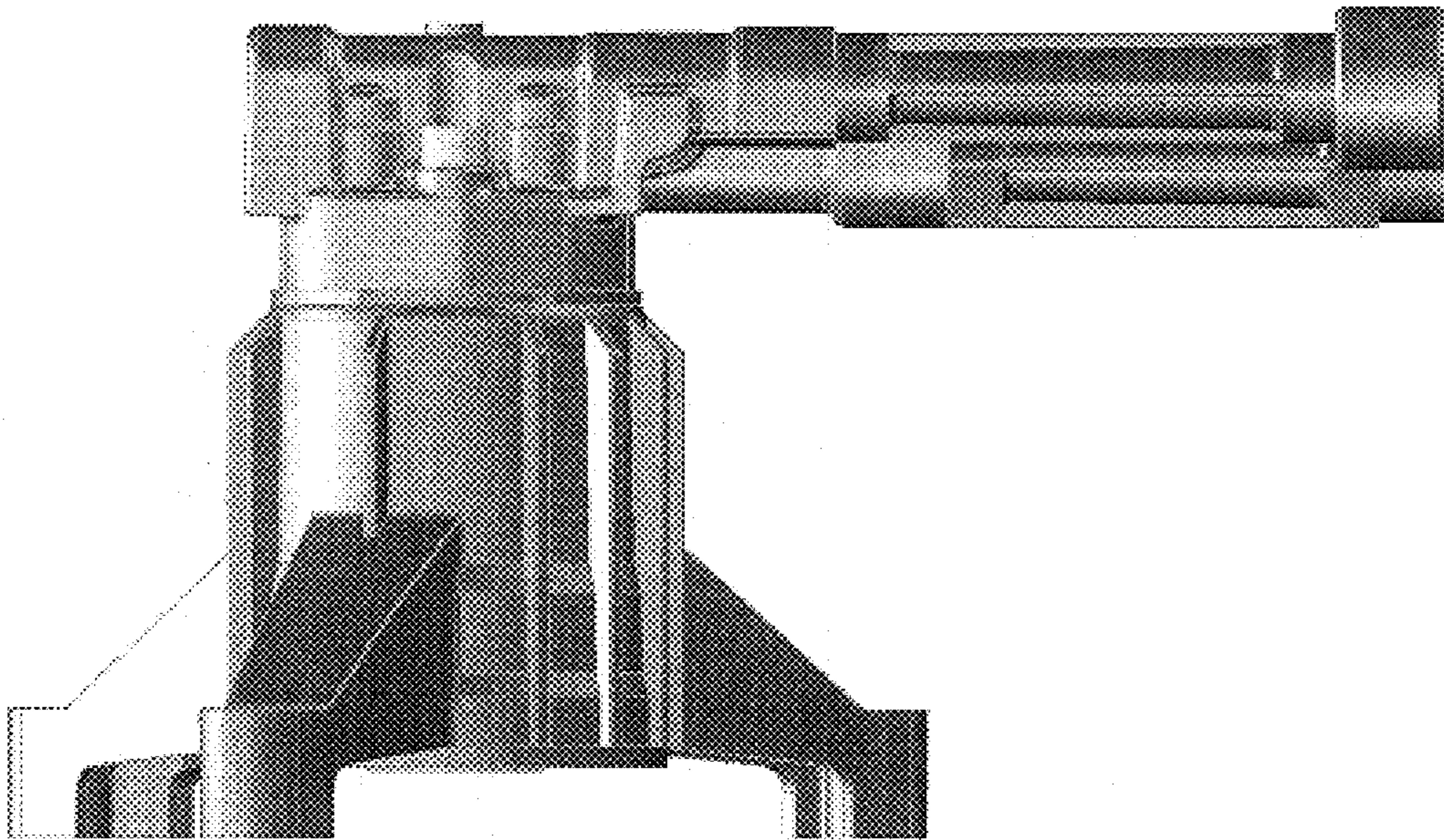


FIG. 15

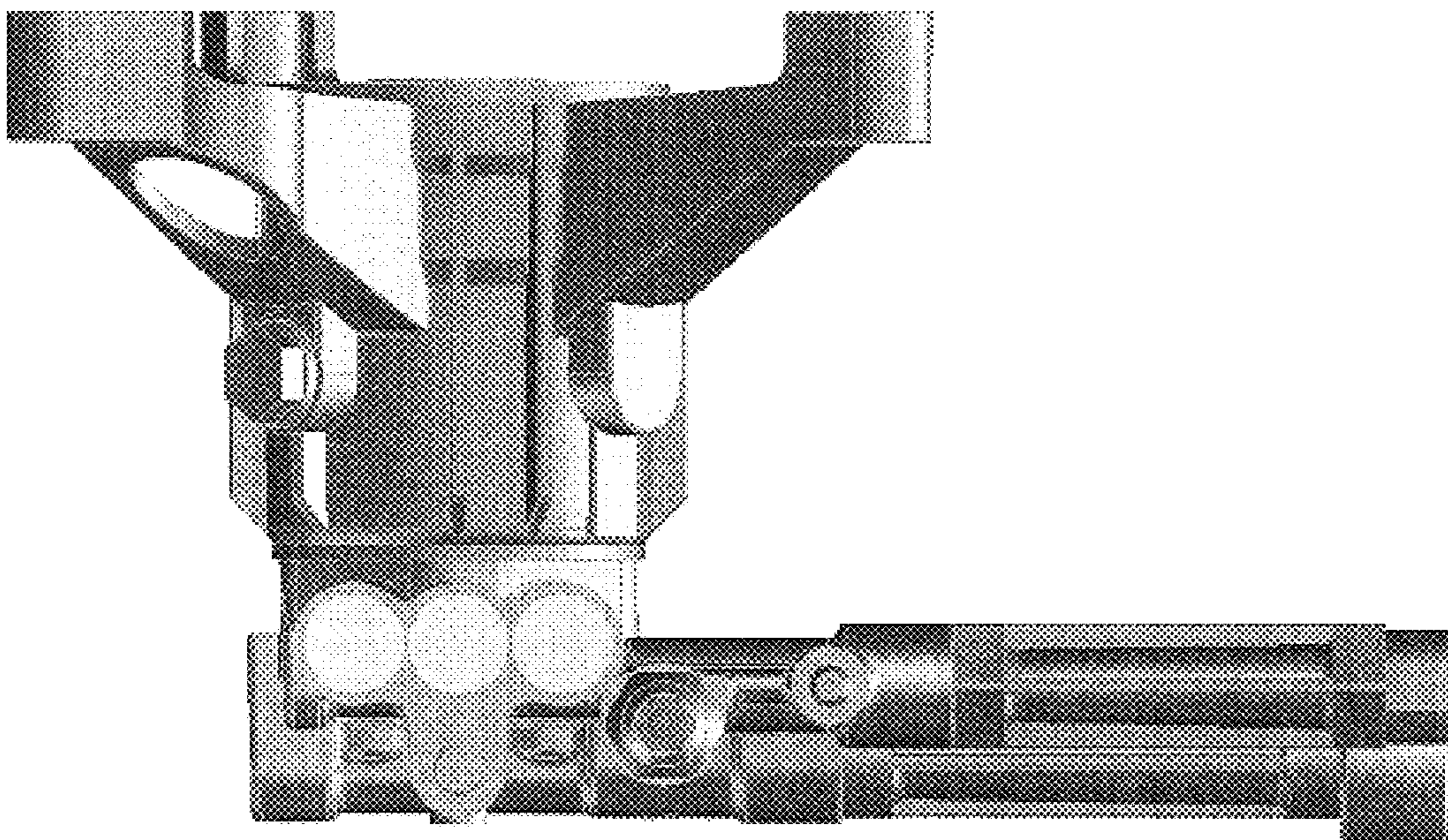


FIG. 16

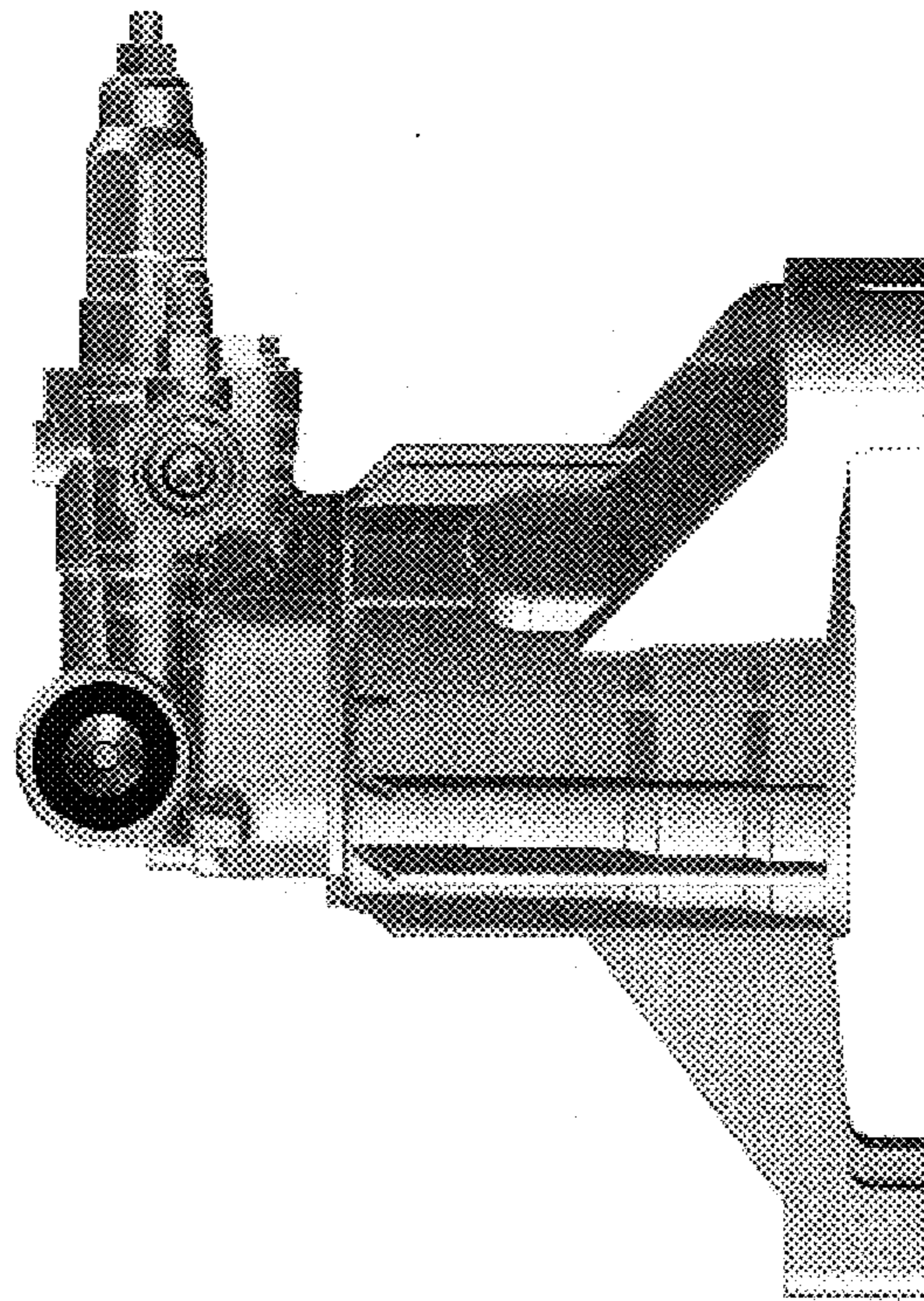


FIG. 17

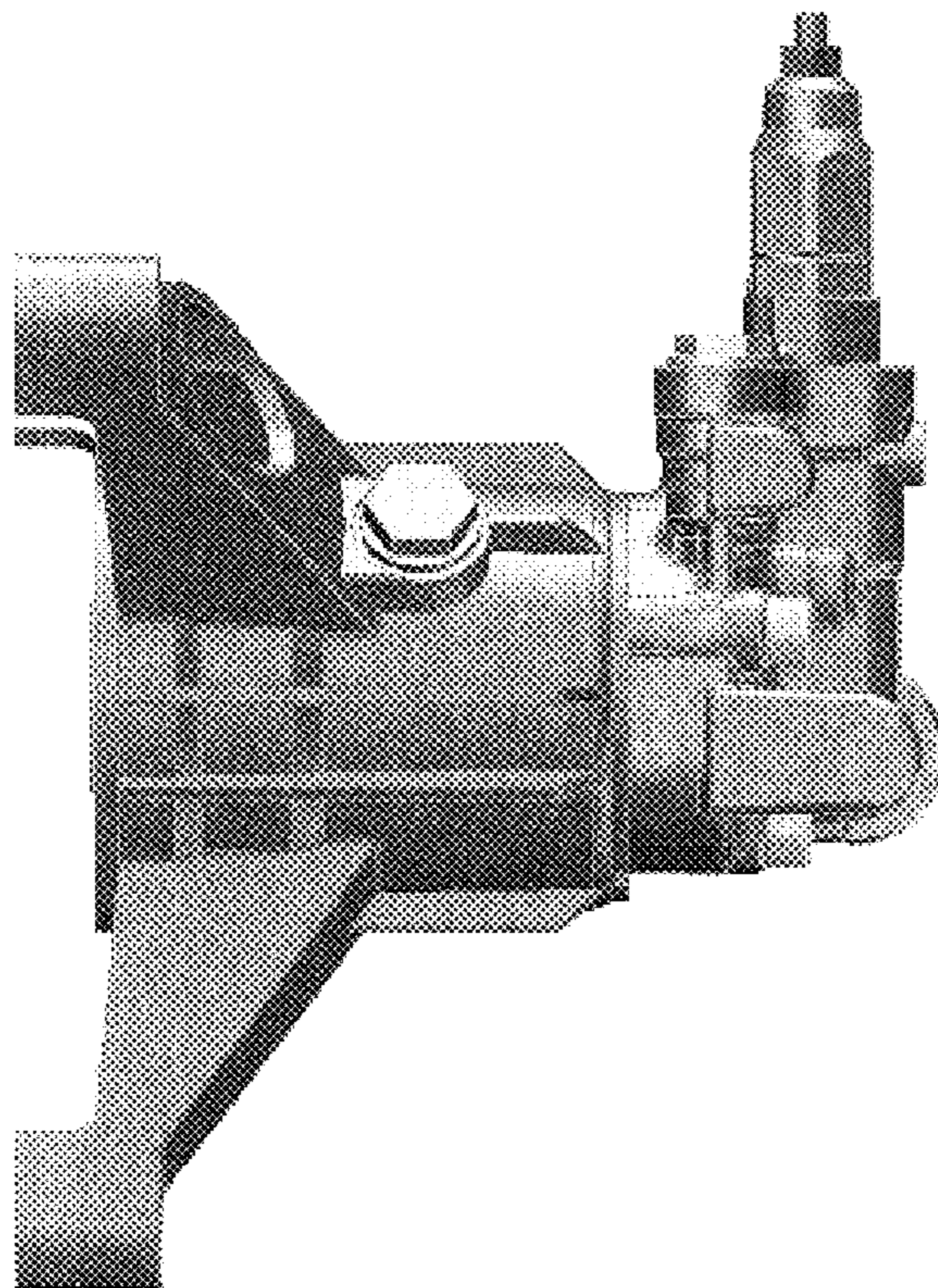


FIG. 18