



US00D532792S

(12) **United States Design Patent**
Shimazaki et al.

(10) **Patent No.:** **US D532,792 S**

(45) **Date of Patent:** **** Nov. 28, 2006**

(54) **ENGINE**

(75) Inventors: **Takayoshi Shimazaki**, Kawagoe (JP);
Shouta Takeshima, Kawagoe (JP)

(73) Assignee: **Komatsu Zenoah Co.**, Kawagoe (JP)

(**) Term: **14 Years**

(21) Appl. No.: **29/237,506**

(22) Filed: **Sep. 2, 2005**

(30) **Foreign Application Priority Data**

Jun. 3, 2005 (JP) 2005-016127

(51) **LOC (8) Cl.** **15-01**

(52) **U.S. Cl.** **D15/1**

(58) **Field of Classification Search** D15/1-5;
123/41.7, 50 A, 65 R, 70 R, 306, 308, 661,
123/667, 50 B, 50 R, 198 E
See application file for complete search history.

(56) **References Cited**

U.S. PATENT DOCUMENTS

D493,806 S * 8/2004 Csiki D15/1

D500,767 S * 1/2005 Yoshikawa et al. D15/3
D521,024 S * 5/2006 Giddens D15/1
D521,528 S * 5/2006 Kamijo et al. D15/1
D522,021 S * 5/2006 Miyazaki et al. D15/3

* cited by examiner

Primary Examiner—Ian Simmons

Assistant Examiner—Maurice Stevens

(74) *Attorney, Agent, or Firm*—Manabu Kanesaka

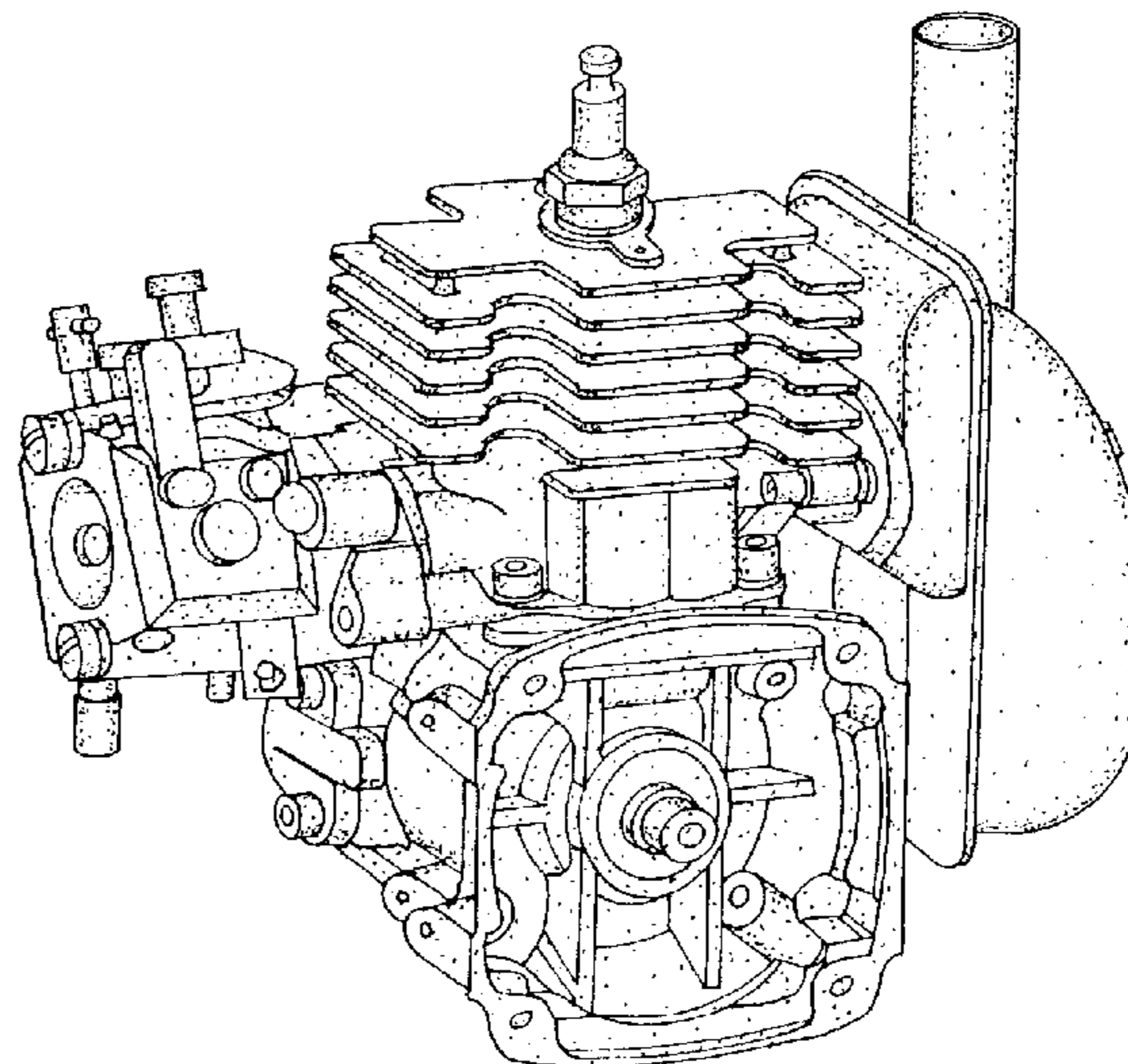
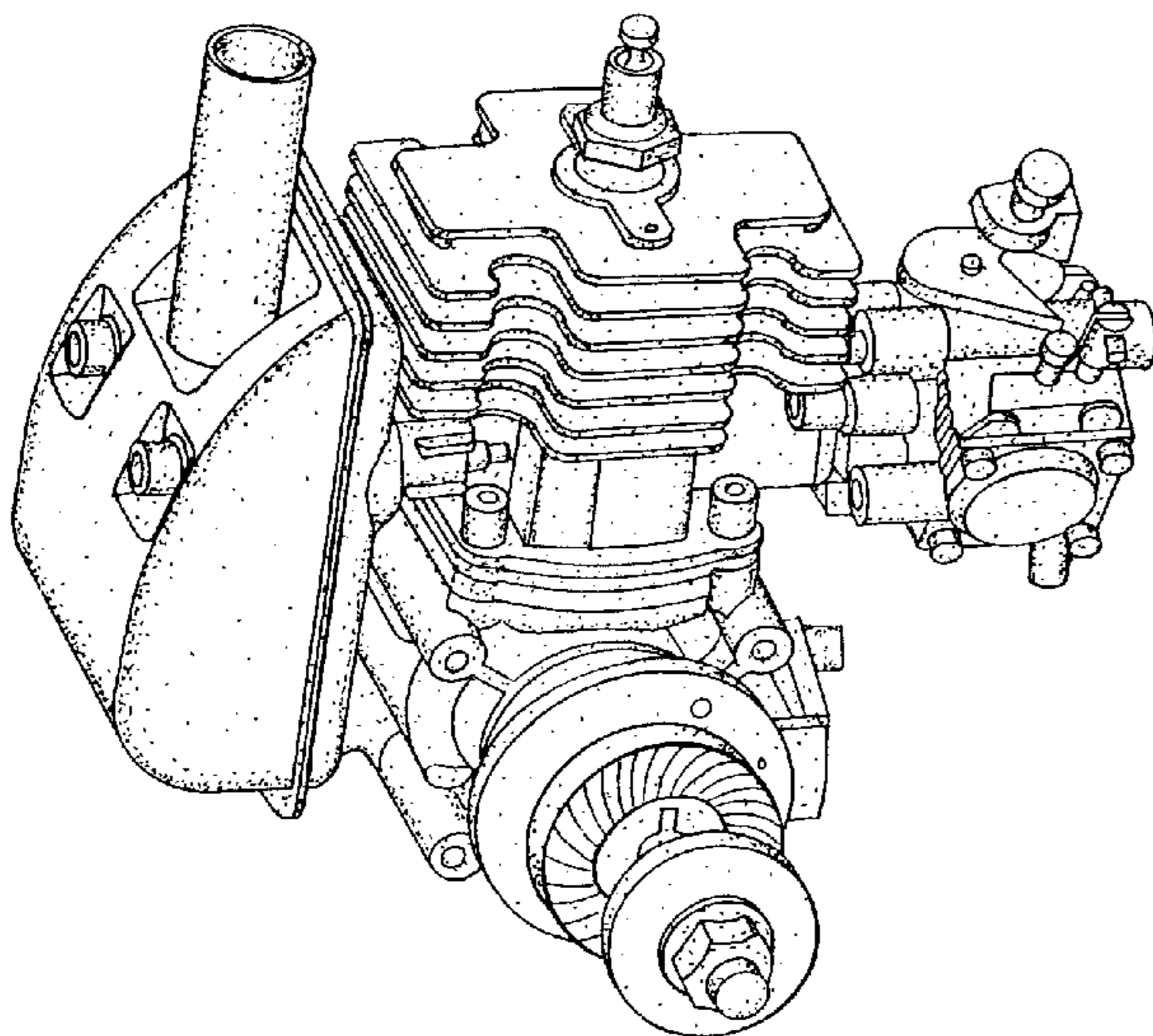
(57) **CLAIM**

The ornamental design for an engine, as shown and described.

DESCRIPTION

FIG. 1 is a front view of an engine showing our new design;
FIG. 2 is a rear view thereof;
FIG. 3 is a plan view thereof;
FIG. 4 is a bottom view thereof;
FIG. 5 is a right side view thereof;
FIG. 6 is a left side view thereof;
FIG. 7 is a front perspective view thereof; and,
FIG. 8 is a rear perspective view thereof.

1 Claim, 8 Drawing Sheets



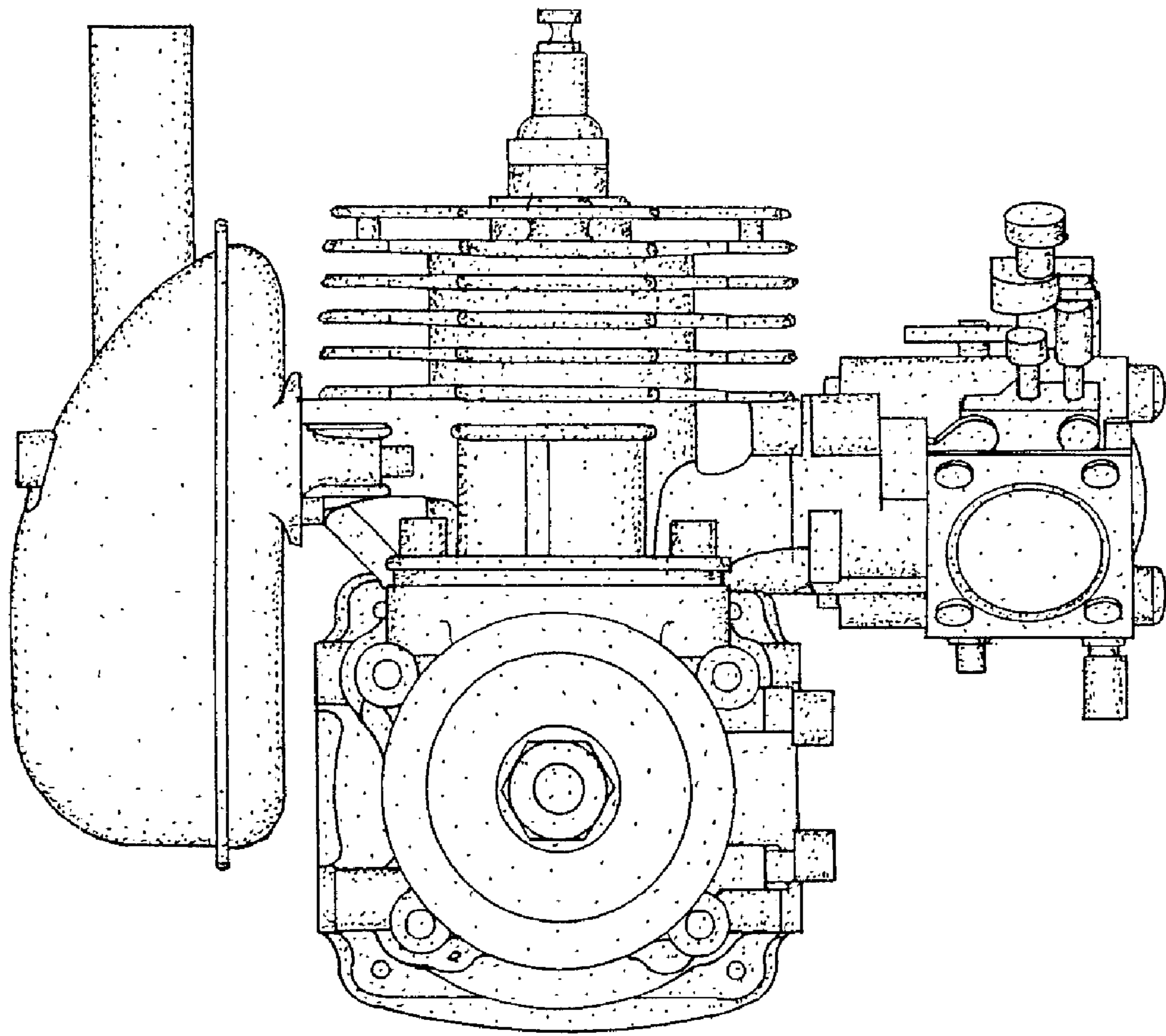


FIG. 1

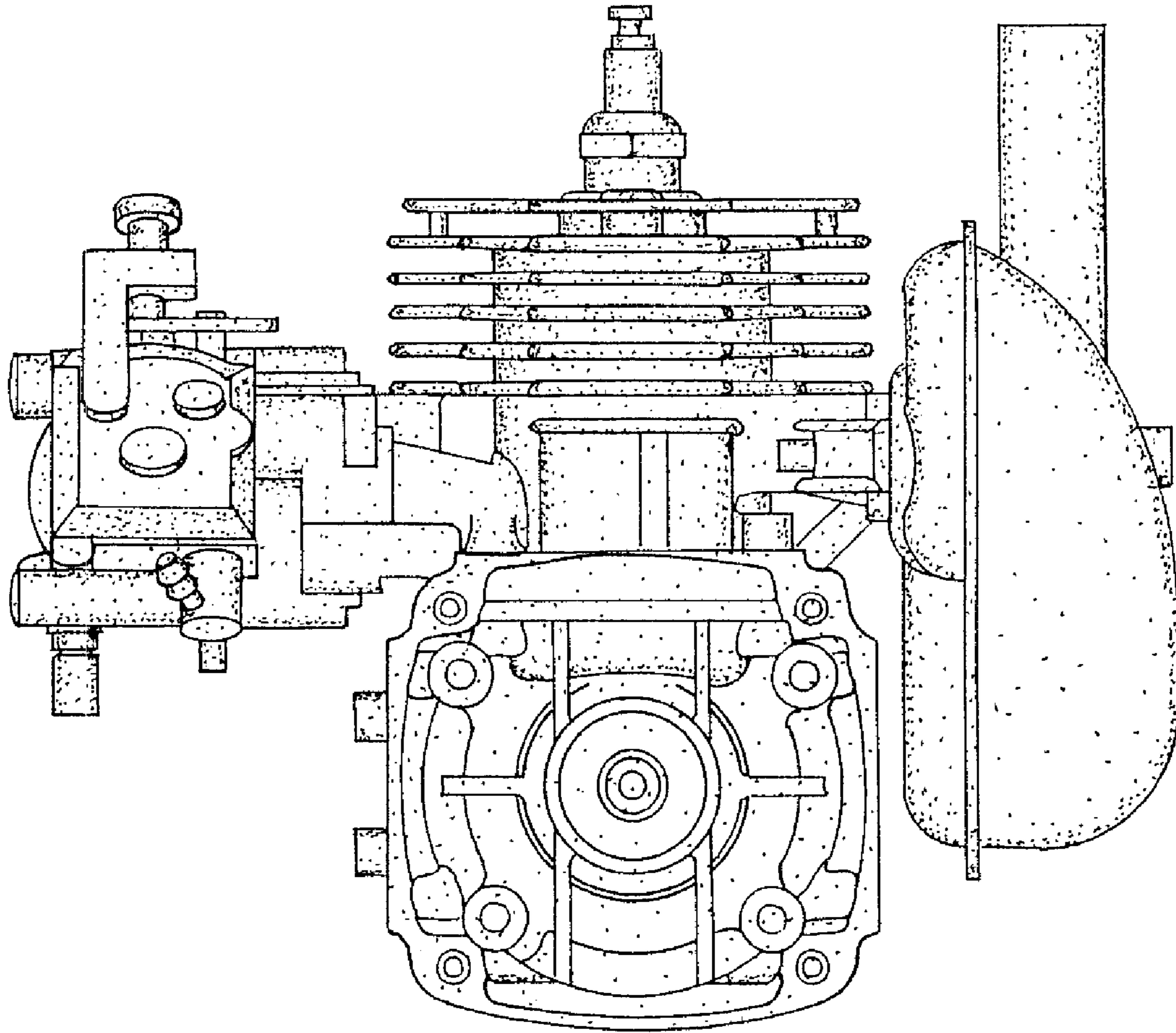


FIG. 2

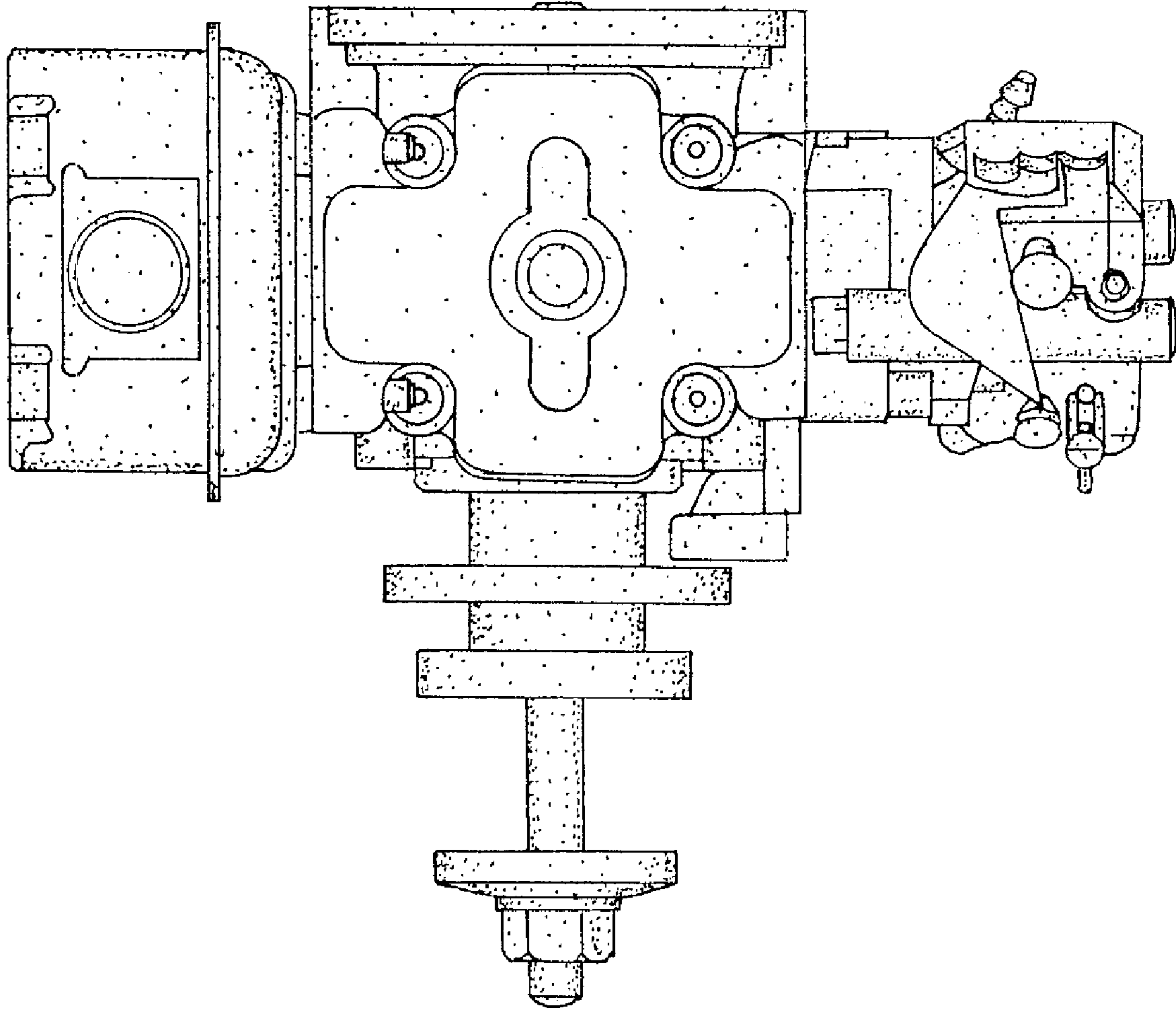


FIG. 3

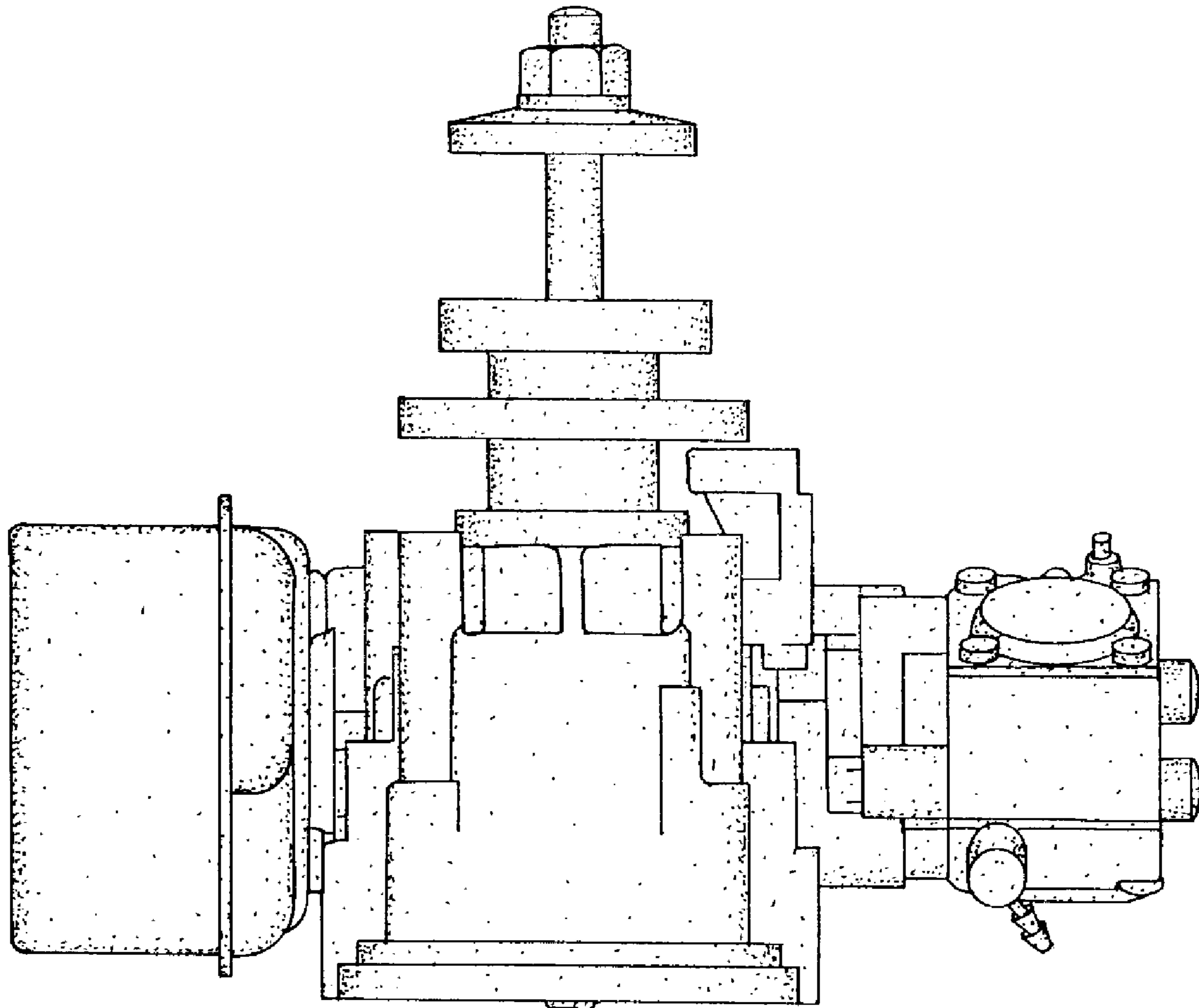


FIG. 4

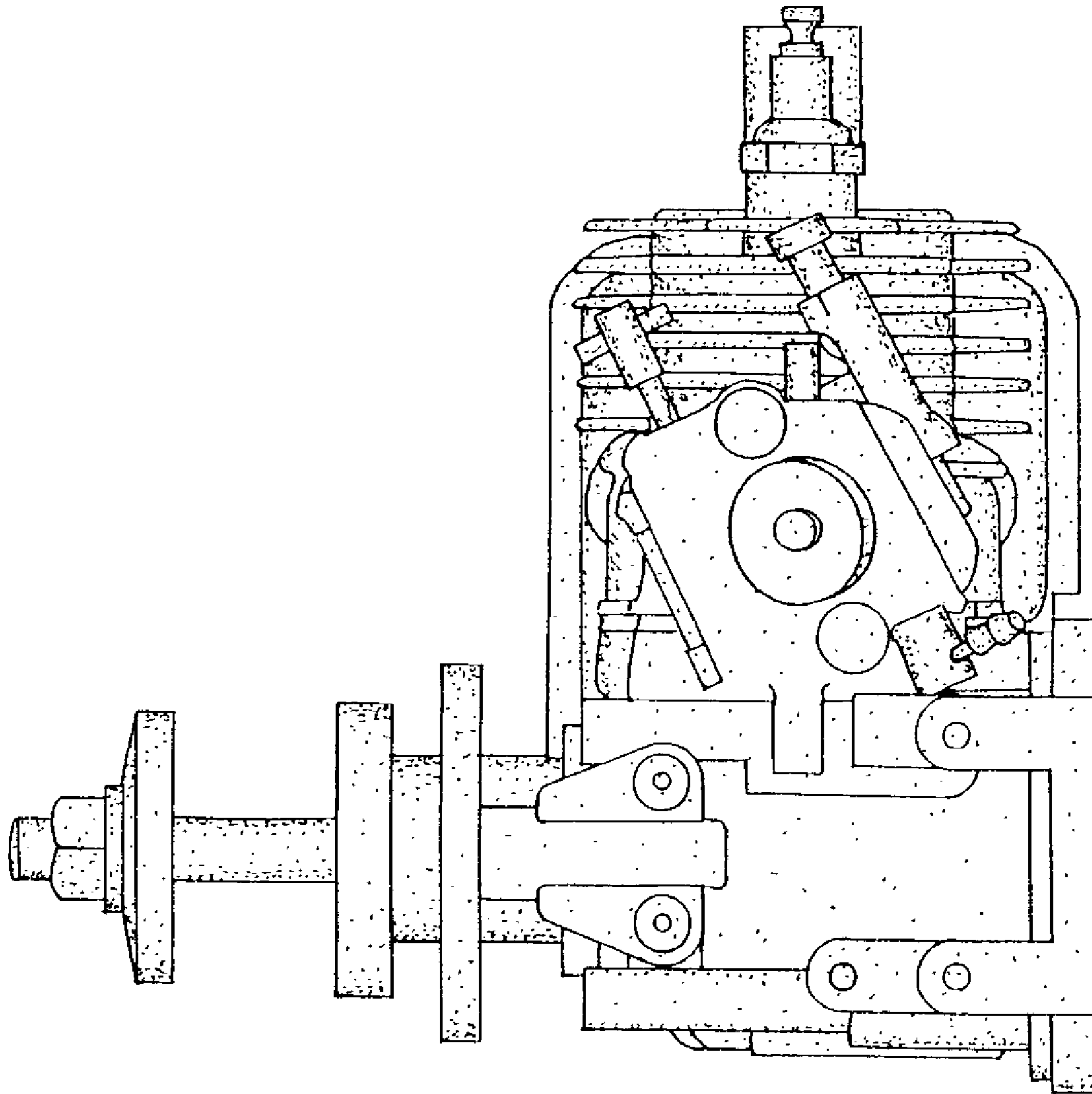


FIG. 5

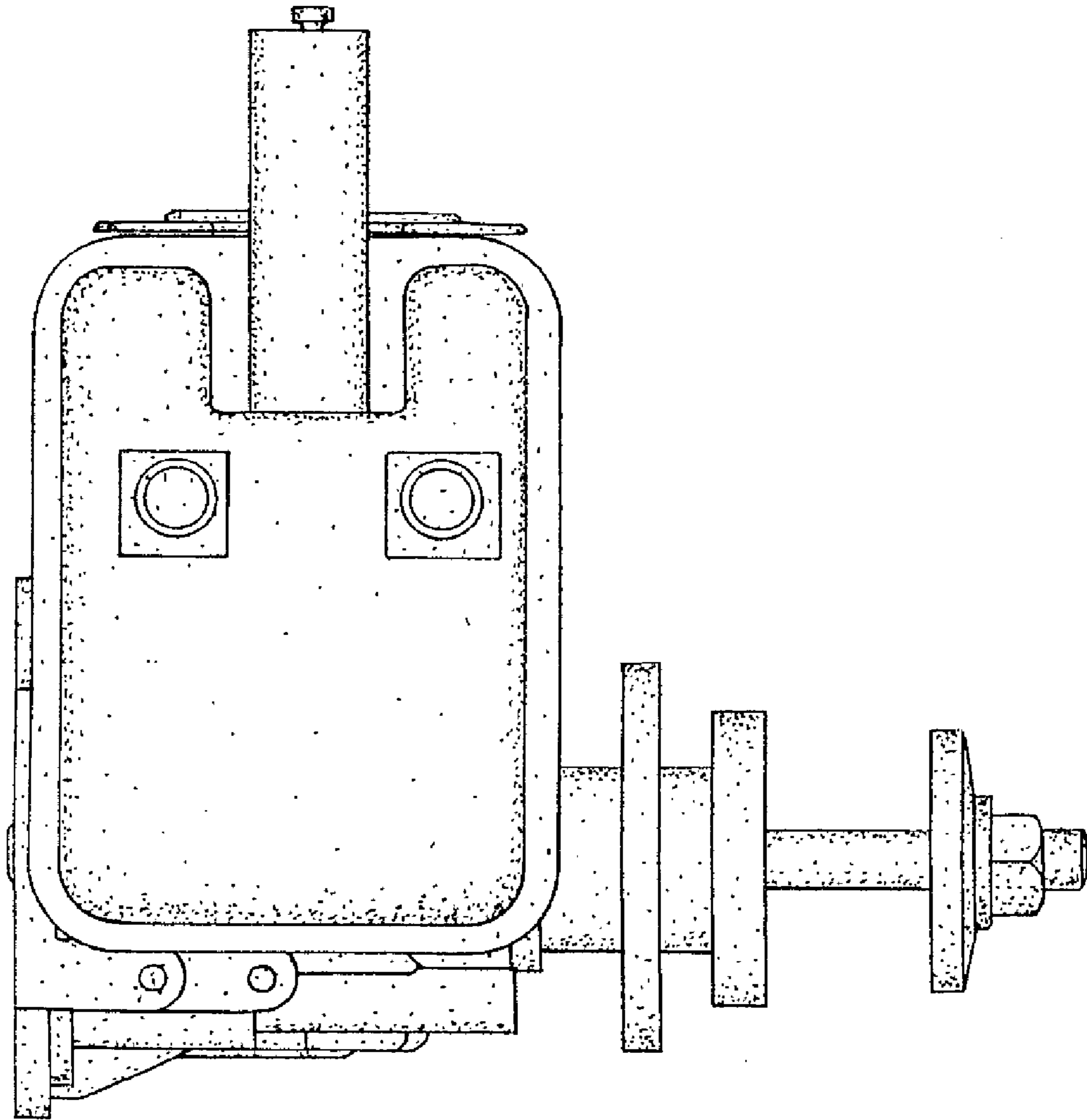


FIG. 6

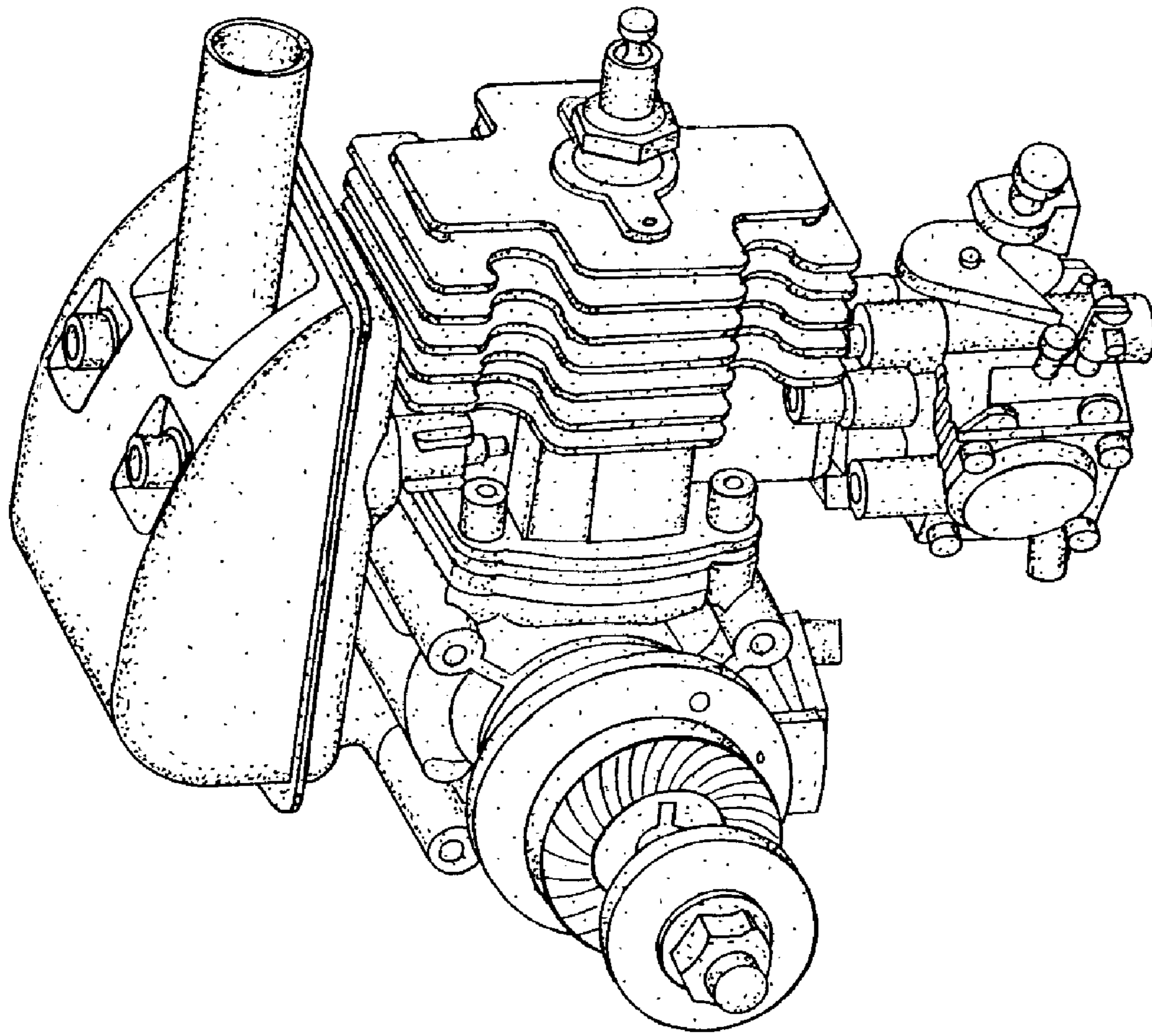


FIG. 7

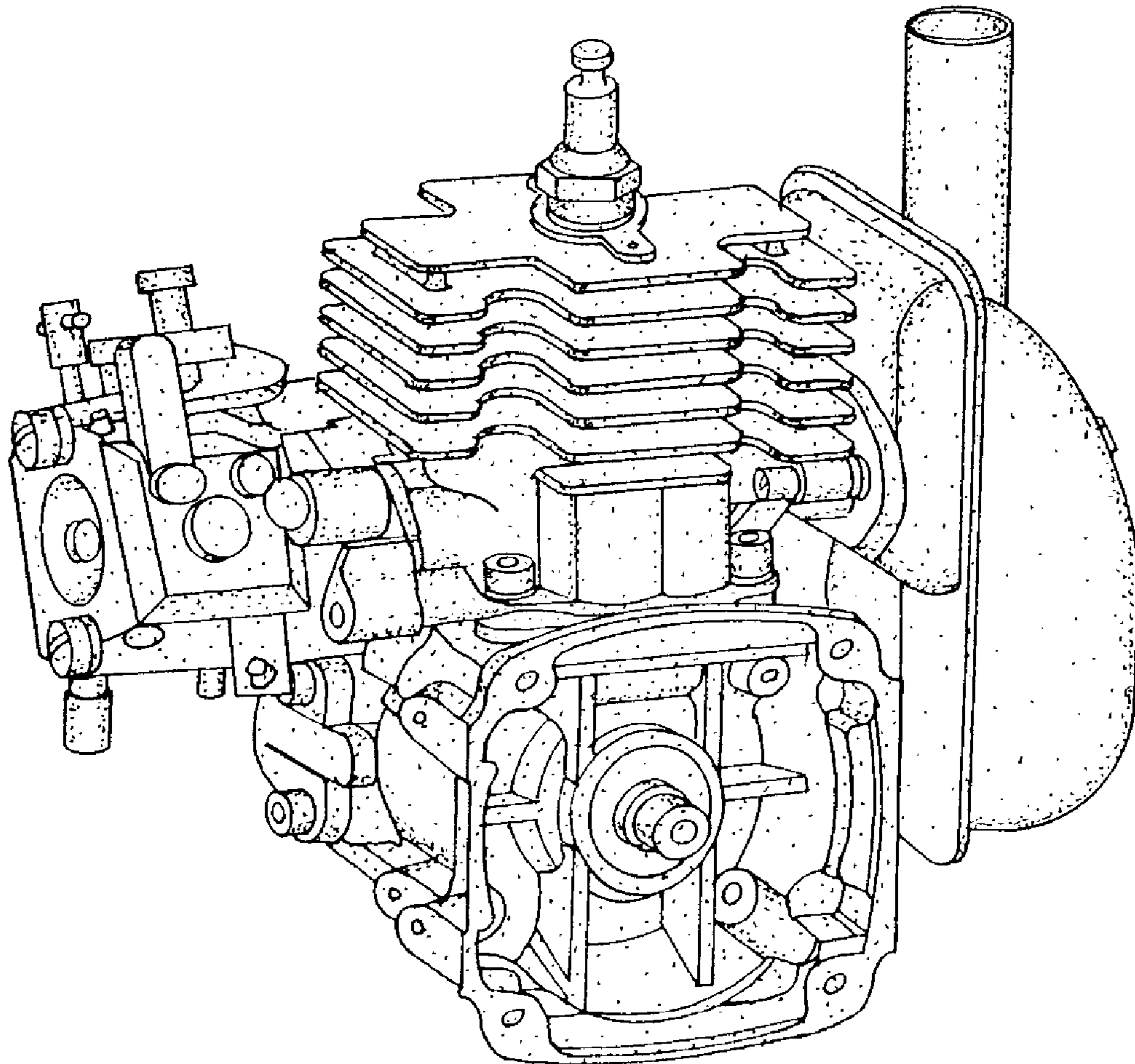


FIG. 8