

US00D532791S

(12) **United States Design Patent** (10) **Patent No.:** **US D532,791 S**  
**Kim** (45) **Date of Patent:** **\*\* Nov. 28, 2006**

(54) **MP3 PLAYER**

(75) Inventor: **Byung-Soo Kim**, Seoul (KR)

(73) Assignee: **Samsung Electronics Co., Ltd.**,  
Kyunggi-do (KR)

(\*\*) Term: **14 Years**

(21) Appl. No.: **29/243,984**

(22) Filed: **Dec. 2, 2005**

(51) **LOC (8) Cl.** ..... **14-03**

(52) **U.S. Cl.** ..... **D14/496**

(58) **Field of Classification Search** ..... D14/496,  
D14/137, 138, 155, 156, 160, 168, 173, 188,  
D14/265; 455/3.01, 3.06, 90.1-90.3, 347-351;  
369/6-12, 75.11; 345/156, 1.1, 903, 905;  
340/539.11, 825.25; 710/1, 8, 62-68, 72-74  
See application file for complete search history.

(56) **References Cited**

U.S. PATENT DOCUMENTS

5,825,408	A	*	10/1998	Yuyama et al.	.....	348/14.01
6,122,526	A	*	9/2000	Parulski et al.	.....	455/556.1
6,639,577	B1	*	10/2003	Eberhard	.....	345/102
6,671,567	B1	*	12/2003	Dwyer et al.	.....	700/94
6,769,603	B1	*	8/2004	Nagai et al.	.....	235/375
D506,476	S	*	6/2005	Andre et al.	.....	D14/496
D509,834	S	*	9/2005	Kataoka	.....	D14/496
6,977,675	B1	*	12/2005	Kotzin	.....	348/208.2
D516,578	S	*	3/2006	Matsuoka	.....	D14/496
D521,023	S	*	5/2006	Kim et al.	.....	D14/496
7,046,230	B1	*	5/2006	Zadesky et al.	.....	345/156
D523,445	S	*	6/2006	Toh	.....	D14/496
D523,446	S	*	6/2006	Peng	.....	D14/496

OTHER PUBLICATIONS

U.S. Appl. No. 29/231,248, Applicant: Young-Soo Kim, et al., filed Jun. 2, 2005 entitled MP3 Player.

U.S. Appl. No. 29/235,008, Applicant: Seog-Guen Kim, filed Jul. 26, 2005 entitled MP3 Player for Combining Digital Camera.

U.S. Appl. No. 29/235,010, Applicant: Wesley Millora, filed Jul. 26, 2005 entitled MP3 Player.

U.S. Appl. No. 29/235,011, Applicant: Dong-Min Lee, filed Jul. 26, 2005 entitled MP3 Player.

U.S. Appl. No. 29/235,012, Applicant: Tae-Ho Kim, filed Jul. 26, 2005 entitled Digital Camera for Combining MP3 Player.

U.S. Appl. No. 29/235,013, Applicant: Byung-Soo Kim, filed Jul. 26, 2005 entitled MP3 Player.

U.S. Appl. No. 29/235,014, Applicant: Tae-Ho Kim, filed Jul. 26, 2005 entitled MP3 Player.

U.S. Appl. No. 29/235,015, Applicant: Seog-Guen Kim, filed Jul. 26, 2005 entitled MP3 Player for Combining Digital Camera.

U.S. Appl. No. 29/236,250, Applicant: James Choe, filed Aug. 12, 2005 entitled MP3 Player.

U.S. Appl. No. 29/236,120, Applicant: Yong-Seok Bang, filed Aug. 11, 2005 entitled MP3 Player.

U.S. Appl. No. 29/241,311, Applicant: Byung-Soo Kim, filed Oct. 26, 2005 entitled MP3 Player.

U.S. Appl. No. 29/241,312, Applicant: Byung-Soo Kim, filed Oct. 26, 2005 entitled MP3 Player.

\* cited by examiner

*Primary Examiner*—Prabhakar Deshmukh

(74) *Attorney, Agent, or Firm*—Flynn, Thiel, Boutell & Tanis, P.C.

(57) **CLAIM**

The ornamental design for a MP3 player, as shown and described.

**DESCRIPTION**

FIG. 1 is a top front perspective view of a MP3 player showing our new design;

FIG. 2 is a front elevational view thereof;

FIG. 3 is a rear elevational view thereof;

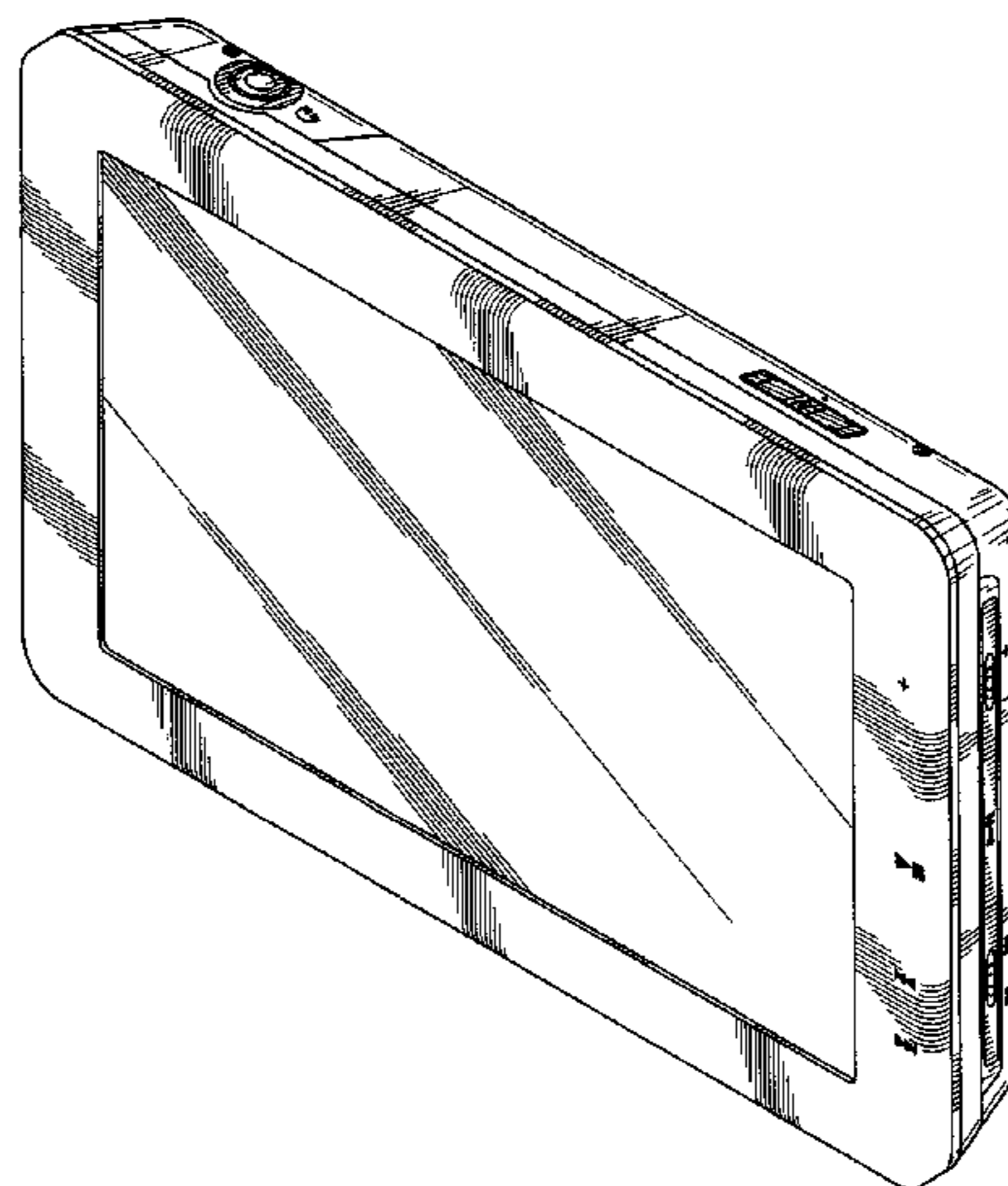
FIG. 4 is a left side elevational view thereof;

FIG. 5 is a right side elevational view thereof;

FIG. 6 is a top plan view thereof; and,

FIG. 7 is a bottom plan view.

**1 Claim, 4 Drawing Sheets**



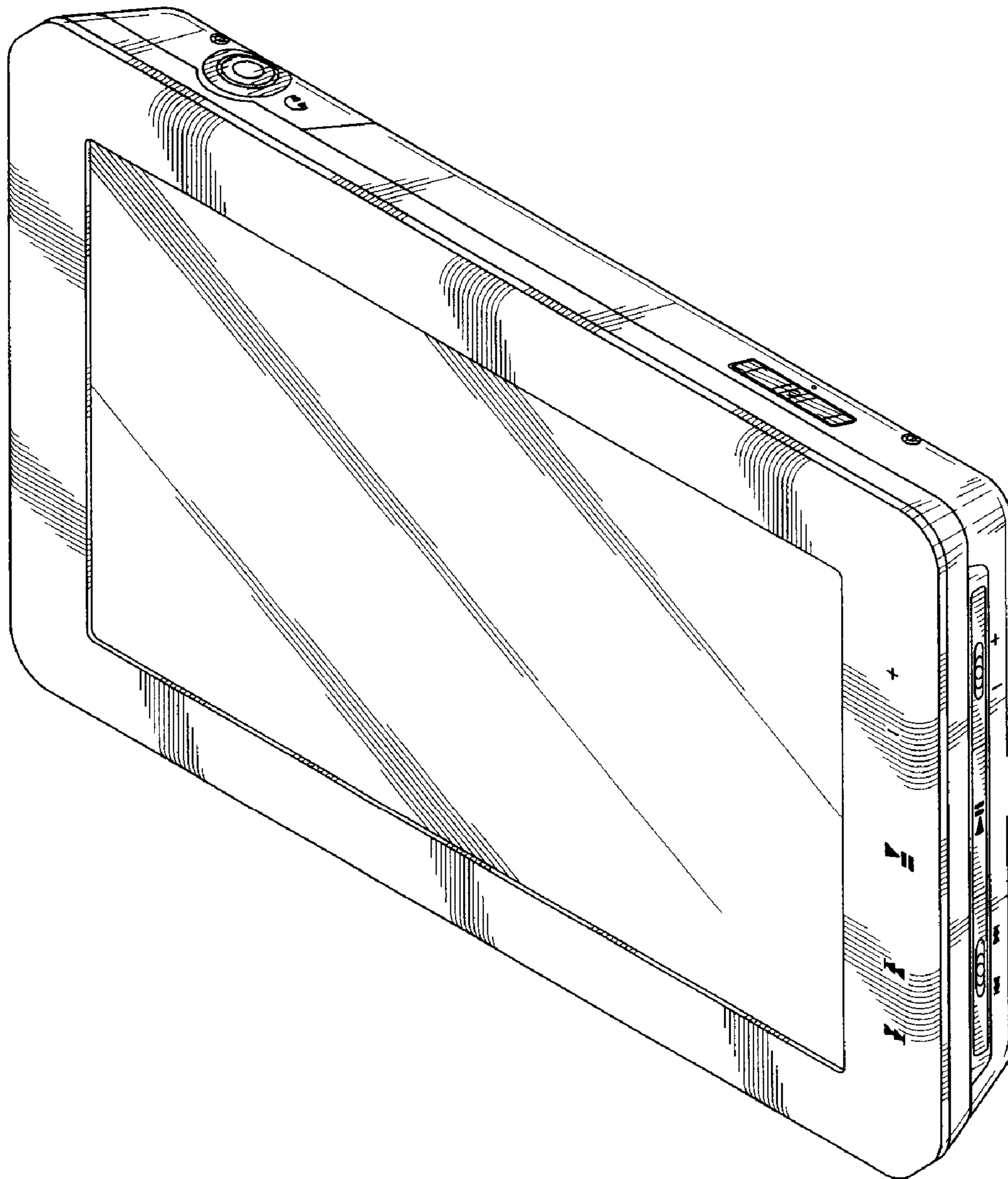


FIG. 1

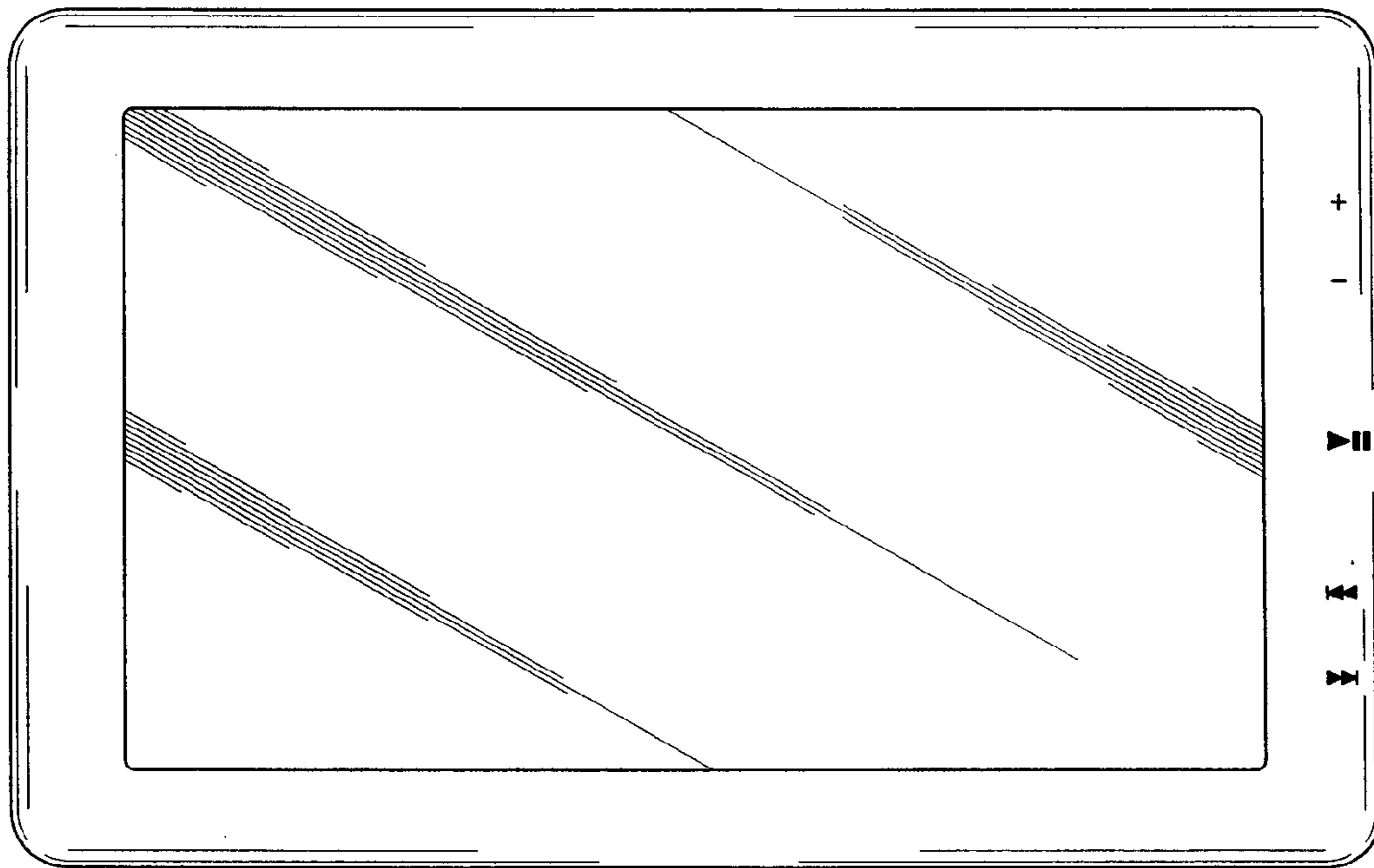


FIG. 2

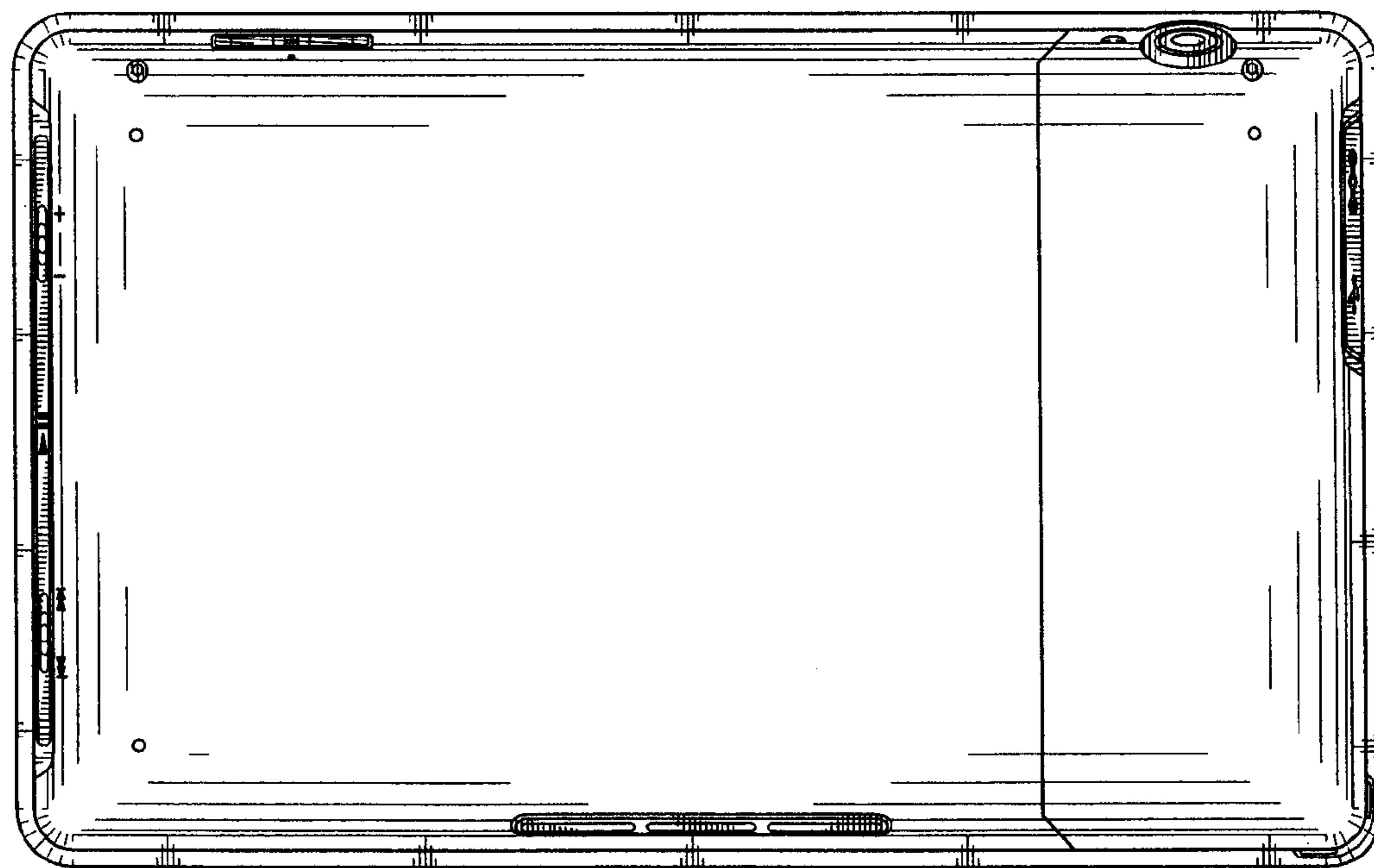


FIG. 3

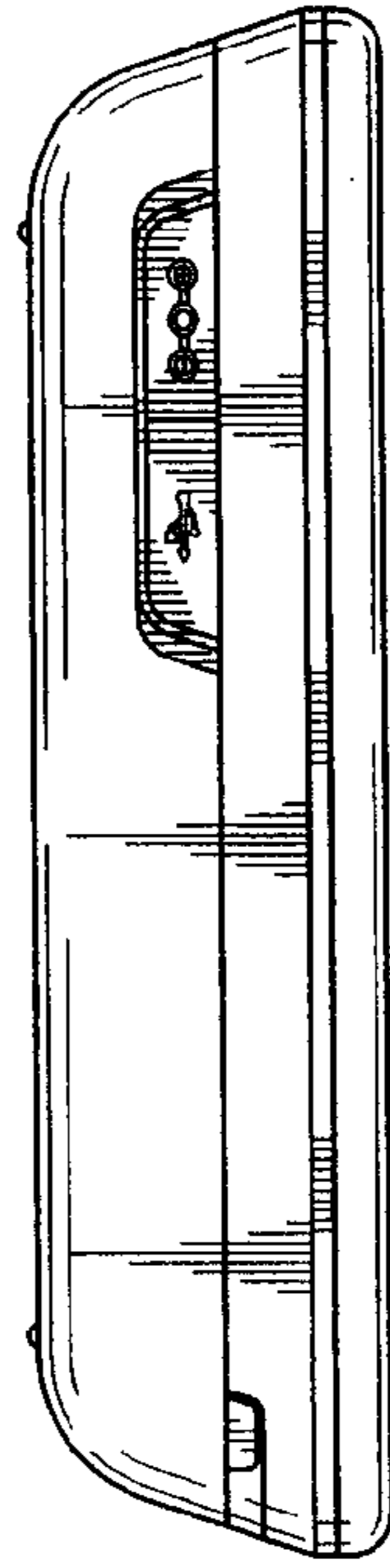


FIG. 4

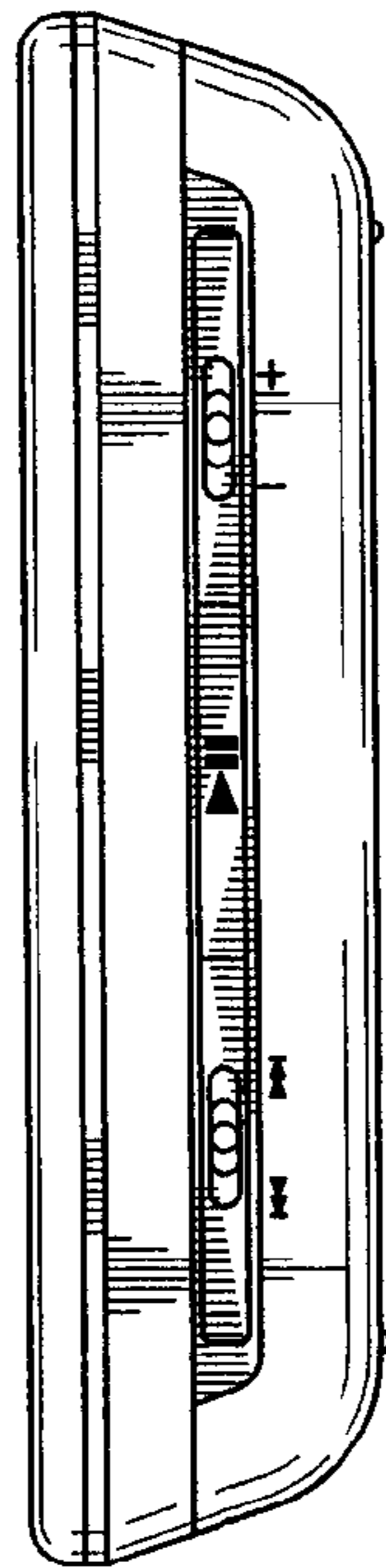


FIG. 5

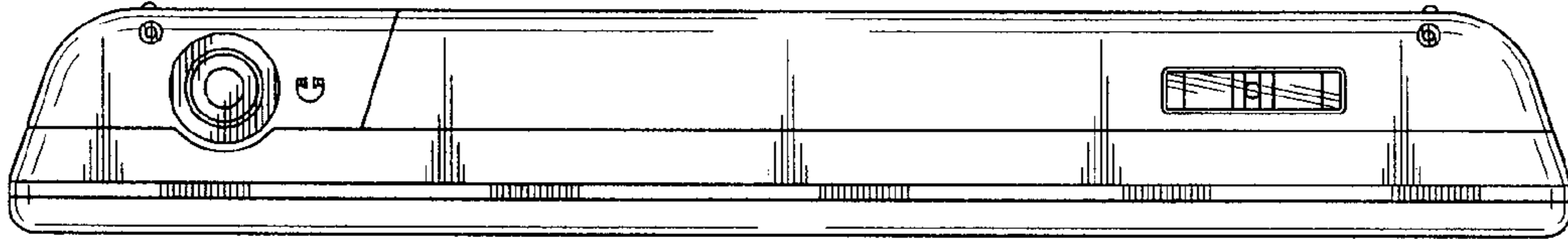


FIG. 6

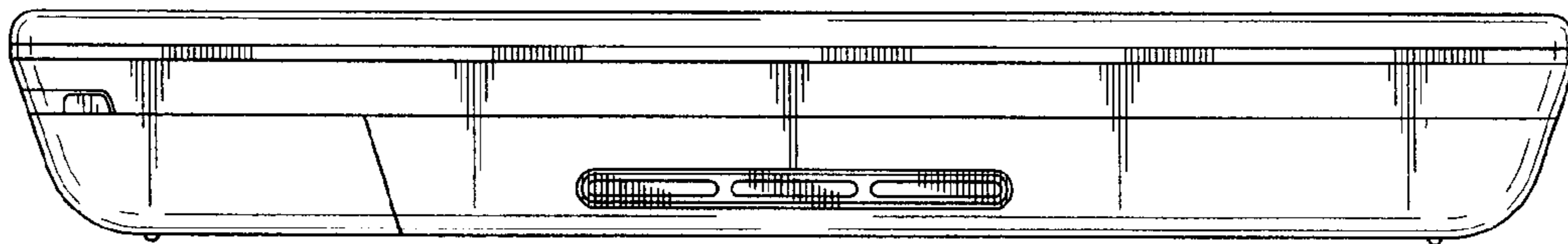


FIG. 7