



US00D532788S

(12) **United States Design Patent**  
**Cuellar et al.**

(10) **Patent No.:** **US D532,788 S**  
(45) **Date of Patent:** **\*\* Nov. 28, 2006**

(54) **COMBINED MEMORY CARD AND CARRIER ASSEMBLY**

(75) Inventors: **Edwin J. Cuellar**, San Jose, CA (US);  
**Eliyahou Harari**, Saratoga, CA (US);  
**Robert C. Miller**, San Jose, CA (US);  
**Hem P. Takiar**, Fremont, CA (US);  
**Robert F. Wallace**, Sunnyvale, CA (US)

(73) Assignee: **SanDisk Corporation**, Milpitas, CA (US)

(\*\*) Term: **14 Years**

(21) Appl. No.: **29/236,910**

(22) Filed: **Aug. 23, 2005**

**Related U.S. Application Data**

(62) Division of application No. 29/203,694, filed on Apr. 16, 2004, now Pat. No. Des. 531,181.

(51) **LOC (8) Cl.** ..... **14-02**

(52) **U.S. Cl.** ..... **D14/436**

(58) **Field of Classification Search** ..... D14/435-8,  
D14/478-80; 361/736-7, 686, 752; 257/678-9;  
40/124.01; 283/75-6, 901; 235/487-95, 441-3,  
235/375; 439/135, 140, 76.1; D8/347  
See application file for complete search history.

(56) **References Cited**

**U.S. PATENT DOCUMENTS**

D446,525 S 8/2001 Okamoto et al.  
6,353,870 B1 3/2002 Mills et al.  
D457,887 S 5/2002 Kadonaga  
D488,477 S 4/2004 Yu et al.

D492,314 S 6/2004 Huang et al.  
D492,686 S 7/2004 Yu et al.  
D493,798 S 8/2004 Yu et al.  
D494,180 S 8/2004 Taniguchi  
D498,760 S 11/2004 Chiang et al.  
6,890,188 B1 5/2005 Le  
6,908,038 B1 6/2005 Le  
2003/0100203 A1 5/2003 Yen  
2005/0037647 A1 2/2005 Le

**FOREIGN PATENT DOCUMENTS**

DE 20304040 U1 8/2003

**OTHER PUBLICATIONS**

PQI, "Intelligent Stick 2.0", downloaded from <http://www-pqi.com.tw/eng/ourproduct/ourproduct.htm> on Feb. 20, 2004, 3 pages.

*Primary Examiner*—M. H. Tung

(74) *Attorney, Agent, or Firm*—Parsons Hsue & de Runtz LLP

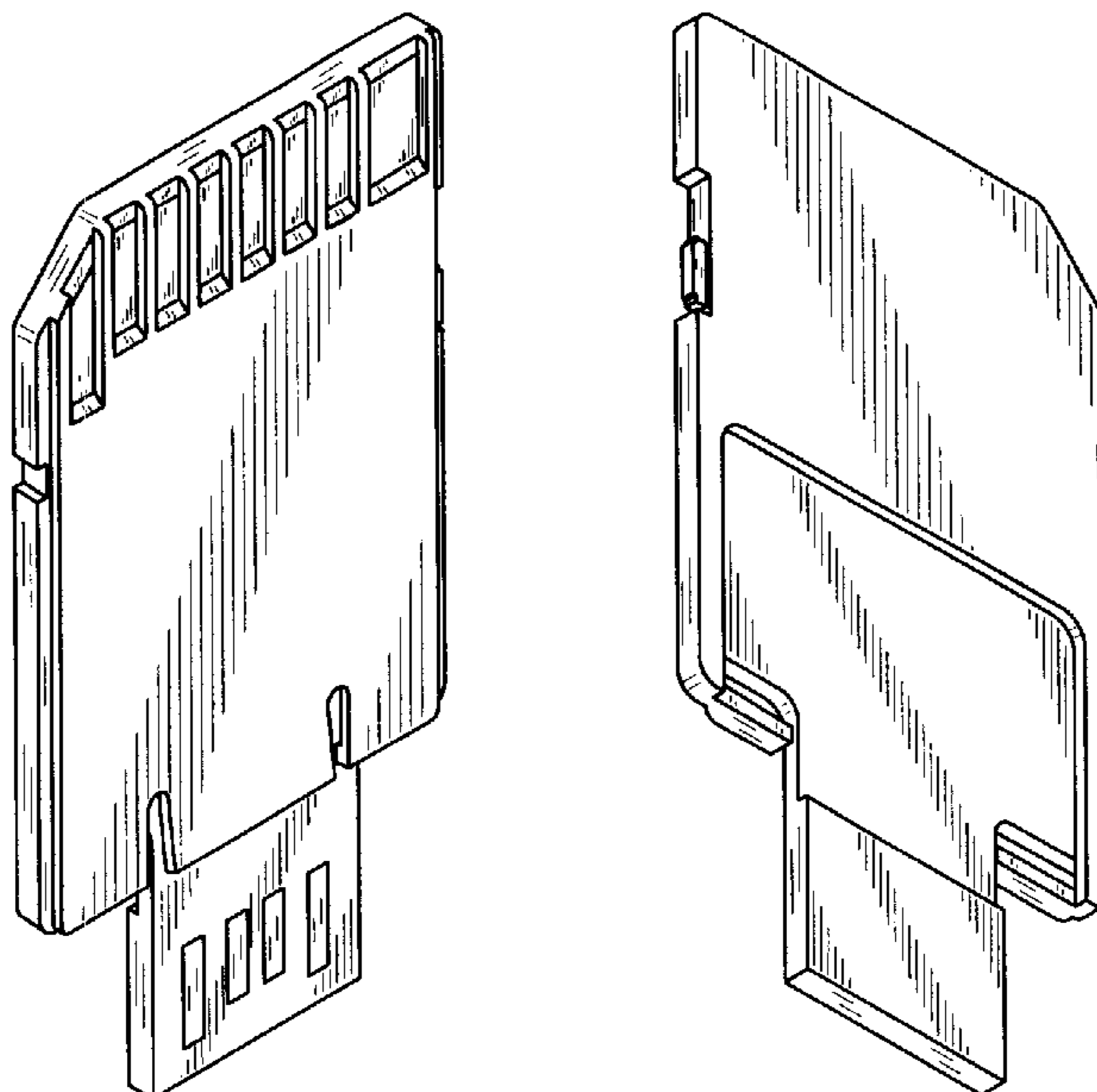
(57) **CLAIM**

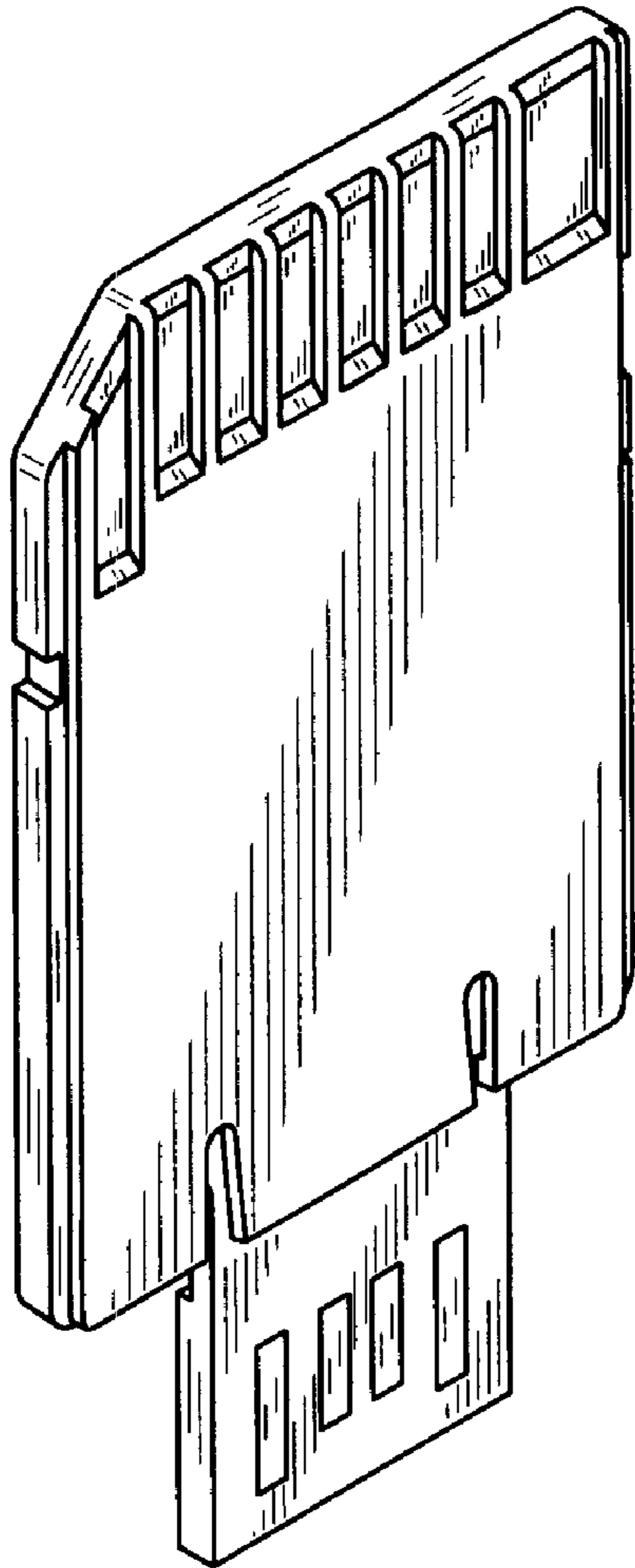
The ornamental design for a combined memory card and carrier assembly, as shown and described.

**DESCRIPTION**

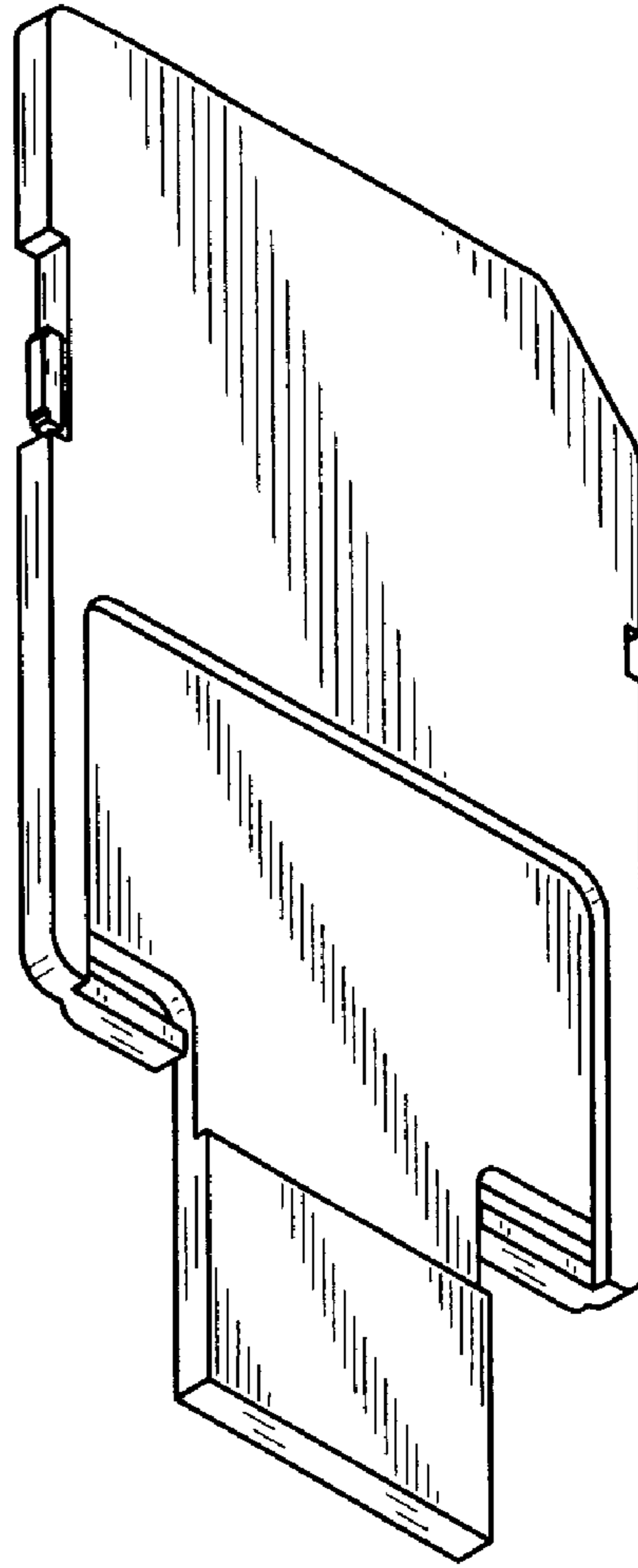
FIG. 1 is a front, top, left side isometric view of the combined memory card and carrier assembly;  
FIG. 2 is a rear, bottom, right side isometric view thereof;  
FIG. 3 is a front elevational view thereof;  
FIG. 4 is a right side elevational view thereof;  
FIG. 5 is a top plan view thereof;  
FIG. 6 is a rear elevational view thereof;  
FIG. 7 is a left side elevational view thereof; and,  
FIG. 8 is a bottom plan view thereof.

**1 Claim, 2 Drawing Sheets**

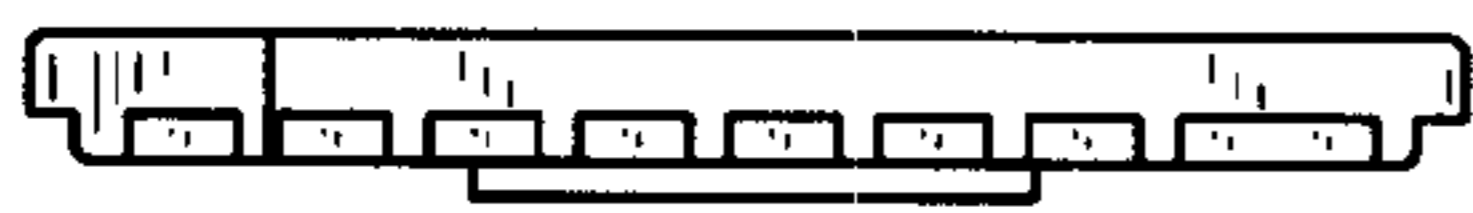




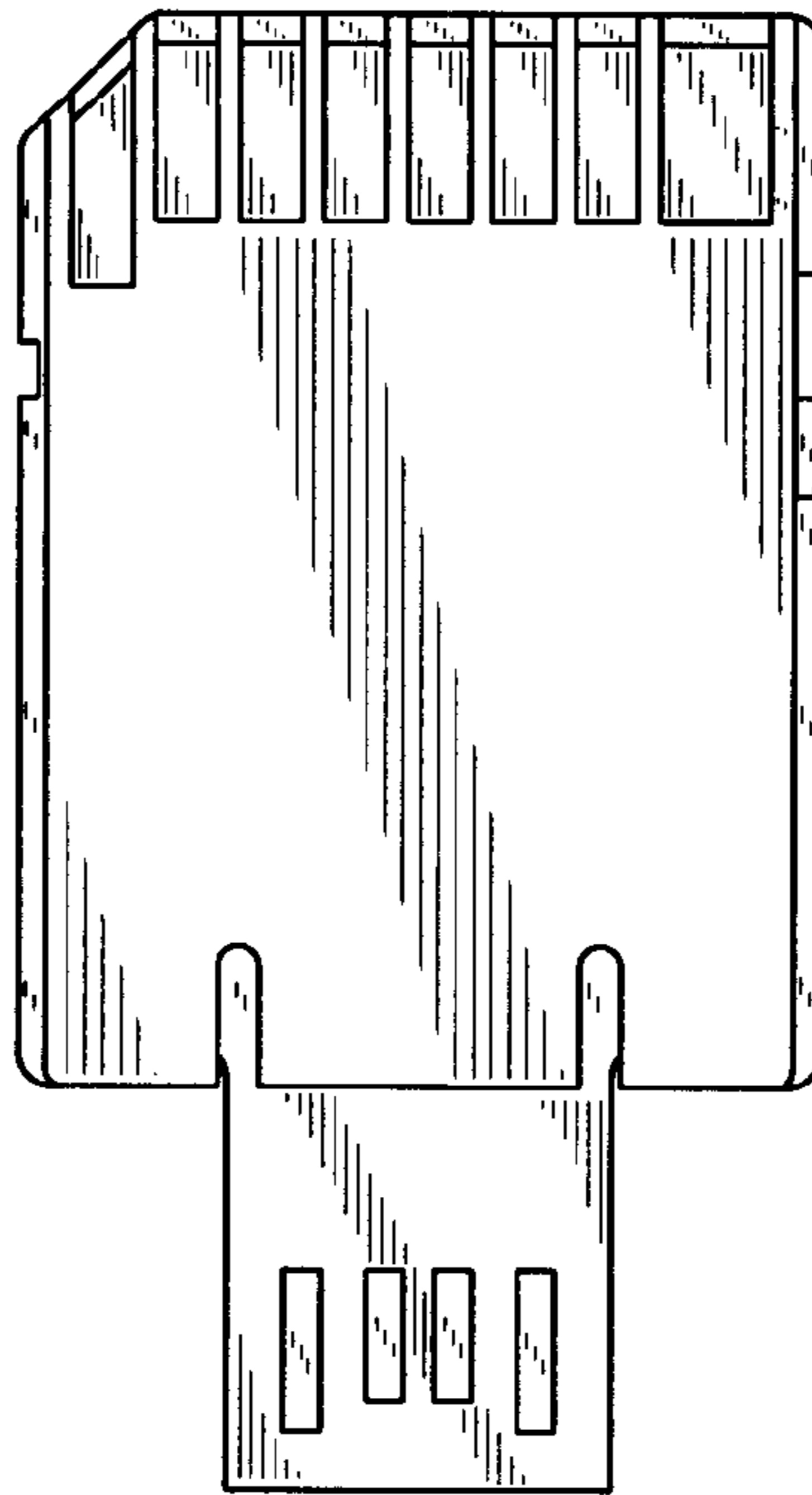
**FIG. 1**



**FIG. 2**



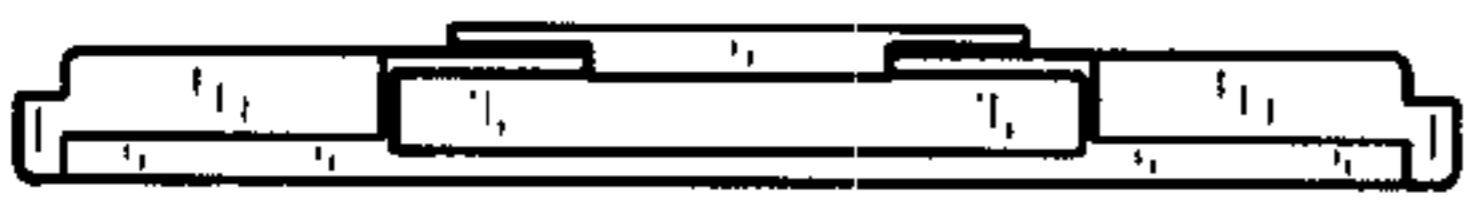
**FIG.\_5**



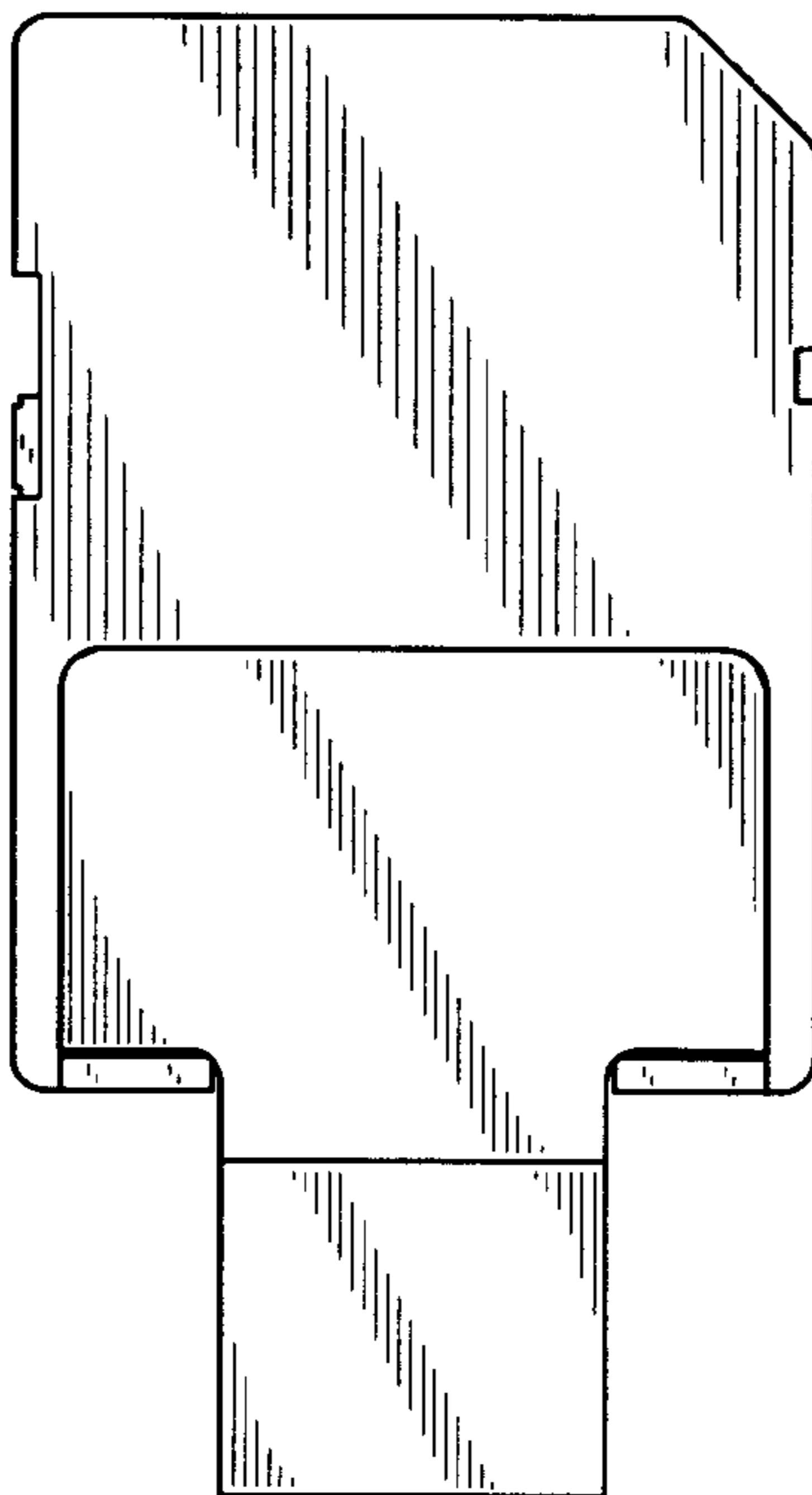
**FIG.\_3**



**FIG.\_4**



**FIG.\_8**



**FIG.\_6**



**FIG.\_7**