



US00D532783S

(12) **United States Design Patent** (10) **Patent No.:** **US D532,783 S**
Yu (45) **Date of Patent:** **** Nov. 28, 2006**

(54) **TOKEN DEVICE**

(75) Inventor: **Henry Jay Yu**, Fremont, CA (US)

(73) Assignee: **Authenex, Inc.**, Hayward, CA (US)

(**) Term: **14 Years**

(21) Appl. No.: **29/214,276**

(22) Filed: **Sep. 29, 2004**

(51) **LOC (8) Cl.** **14-02**

(52) **U.S. Cl.** **D14/356**

(58) **Field of Classification Search** D14/137,
D14/156, 240, 242, 348, 356, 384-5, 402,
D14/432-5; 361/685-6; 365/63, 131; 439/139-41,
439/144, 518, 638; 710/62, 74

See application file for complete search history.

(56) **References Cited**

U.S. PATENT DOCUMENTS

D449,615 S	*	10/2001	Lloyd	D14/433
D467,921 S	*	12/2002	Lin	D14/385
D479,712 S	*	9/2003	Ng	D14/156
6,612,853 B1	*	9/2003	Wu	439/136
6,650,534 B1	*	11/2003	Tree	361/686
D486,807 S	*	2/2004	Takayama et al.	D14/137
D490,068 S	*	5/2004	Chen	D14/156
D493,779 S	*	8/2004	Lee	D14/156
D493,790 S	*	8/2004	Wu	D14/348
D494,157 S	*	8/2004	Wikel et al.	D14/240
D514,560 S	*	2/2006	Brown et al.	D14/356
D517,556 S	*	3/2006	Cho	D14/433
2003/0099090 A1	*	5/2003	Su	361/685

FOREIGN PATENT DOCUMENTS

JP 2003282178 A * 10/2003

* cited by examiner

Primary Examiner—Robin Webster

Assistant Examiner—Karen E. Patterson

(74) *Attorney, Agent, or Firm*—Jeffrey P. Aiello

(57) **CLAIM**

The ornamental design for a token device, as shown and described.

DESCRIPTION

FIG. 1 is a top plan view of the token device of the present invention;

FIG. 2 is a left side elevational view thereof;

FIG. 3 is a right side elevational view thereof;

FIG. 4 is a bottom plan view thereof;

FIG. 5 is a front elevational view thereof;

FIG. 6 is a rear elevational view thereof;

FIG. 7 is a top plan view thereof showing the end cap detached;

FIG. 8 is a rear elevational view thereof;

FIG. 9 is a front perspective view thereof;

FIG. 10 is a front perspective view showing the end cap attached;

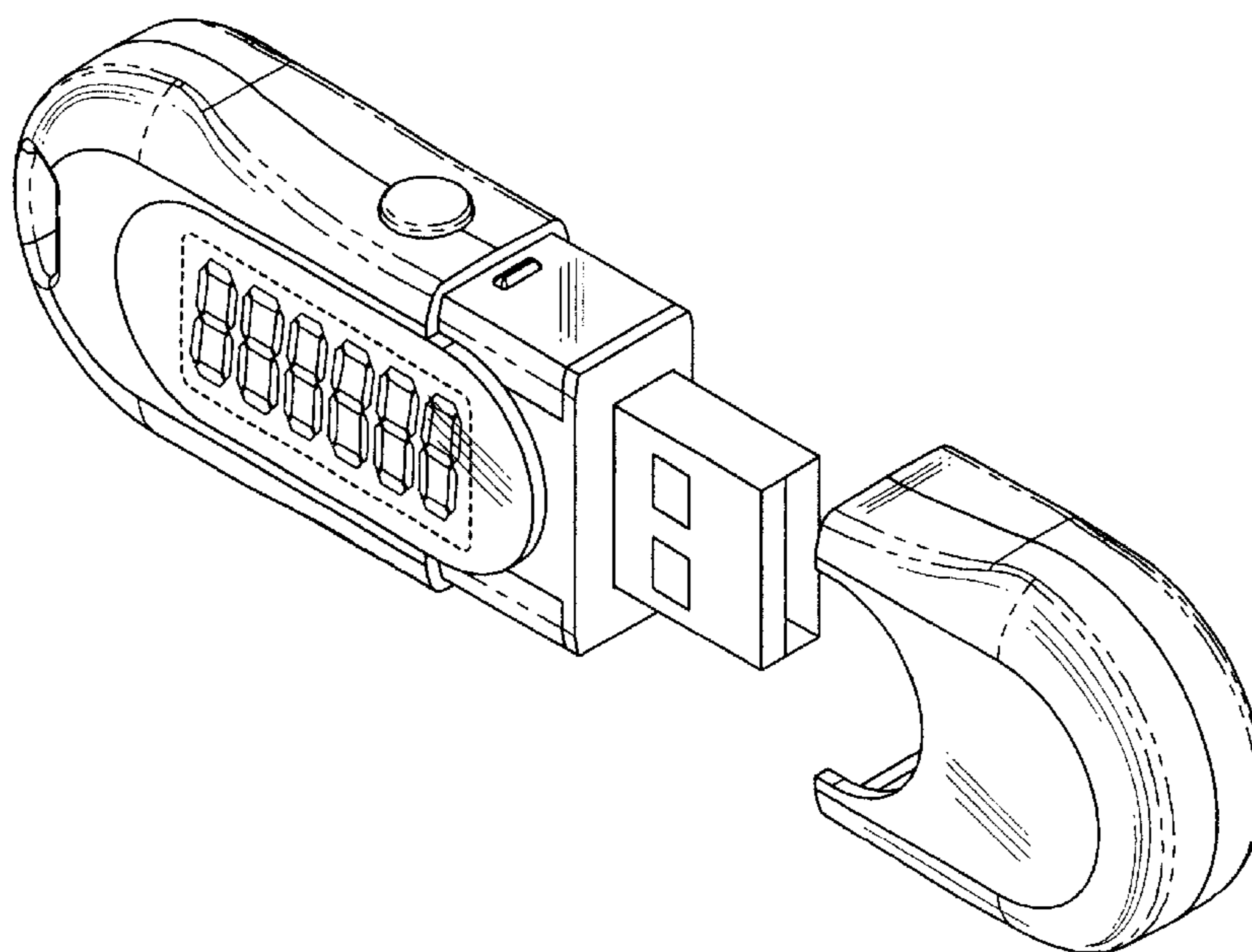
FIG. 11 is a top plan view of the end cap shown alone for further illustration;

FIG. 12 is a left side elevational view thereof; and,

FIG. 13 is a right side elevational view thereof.

The broken lines showing of environmental structure are for illustrative purposes only and form no part of the claimed design.

1 Claim, 4 Drawing Sheets



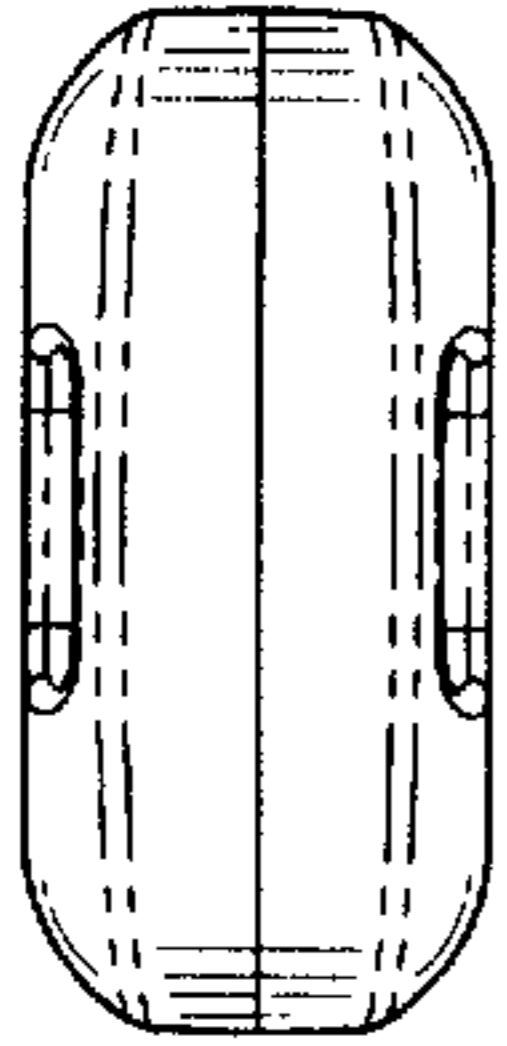


FIG. 2

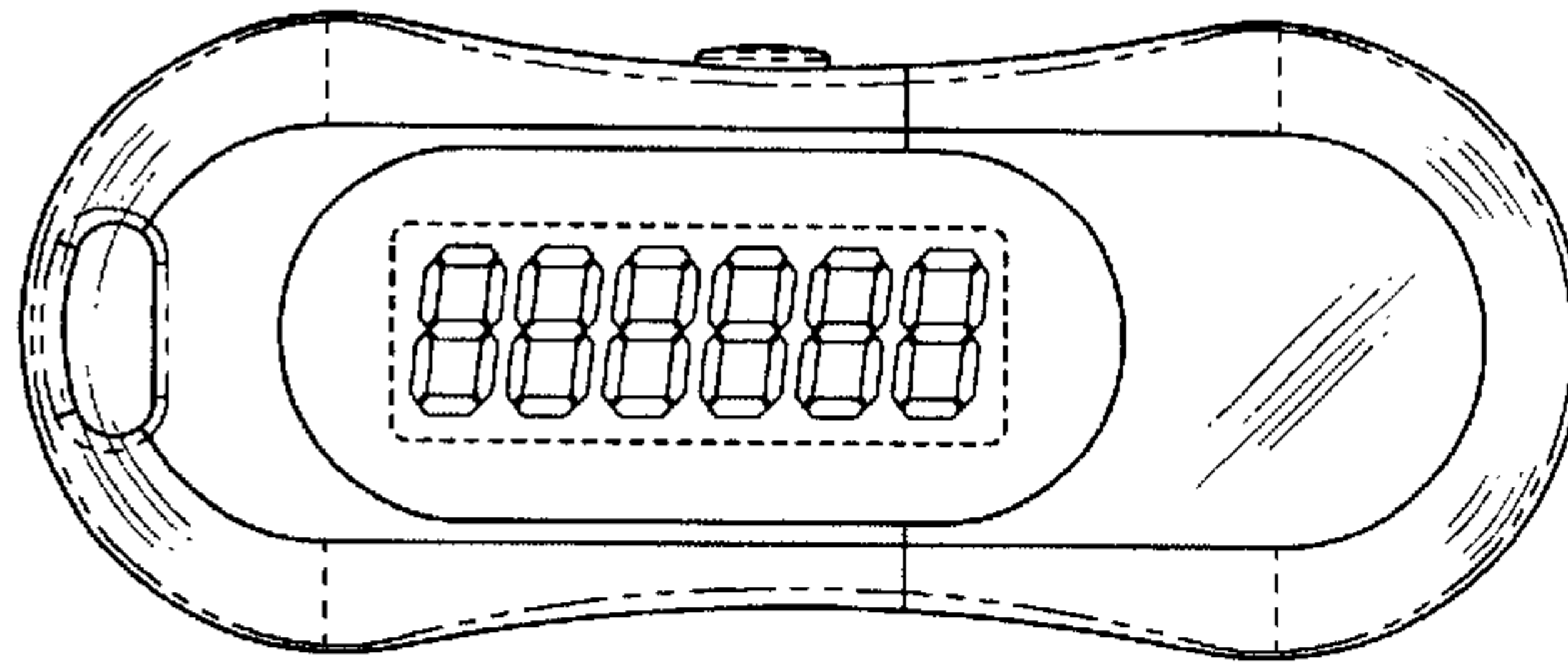


FIG. 1

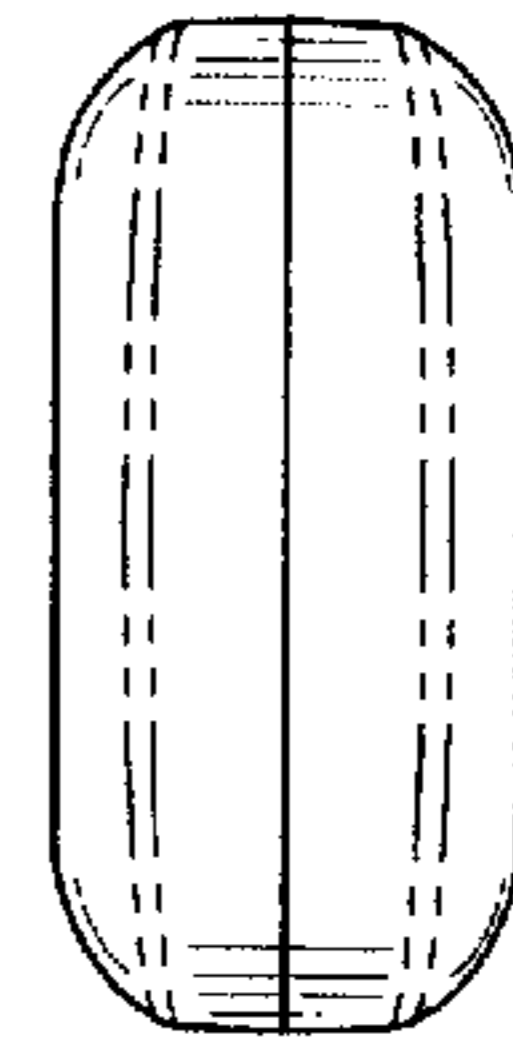


FIG. 3

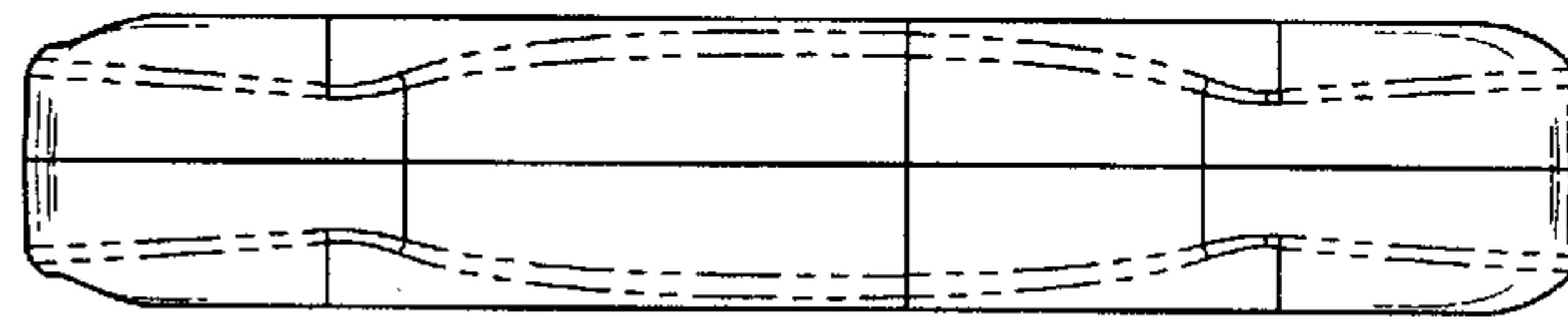


FIG. 5

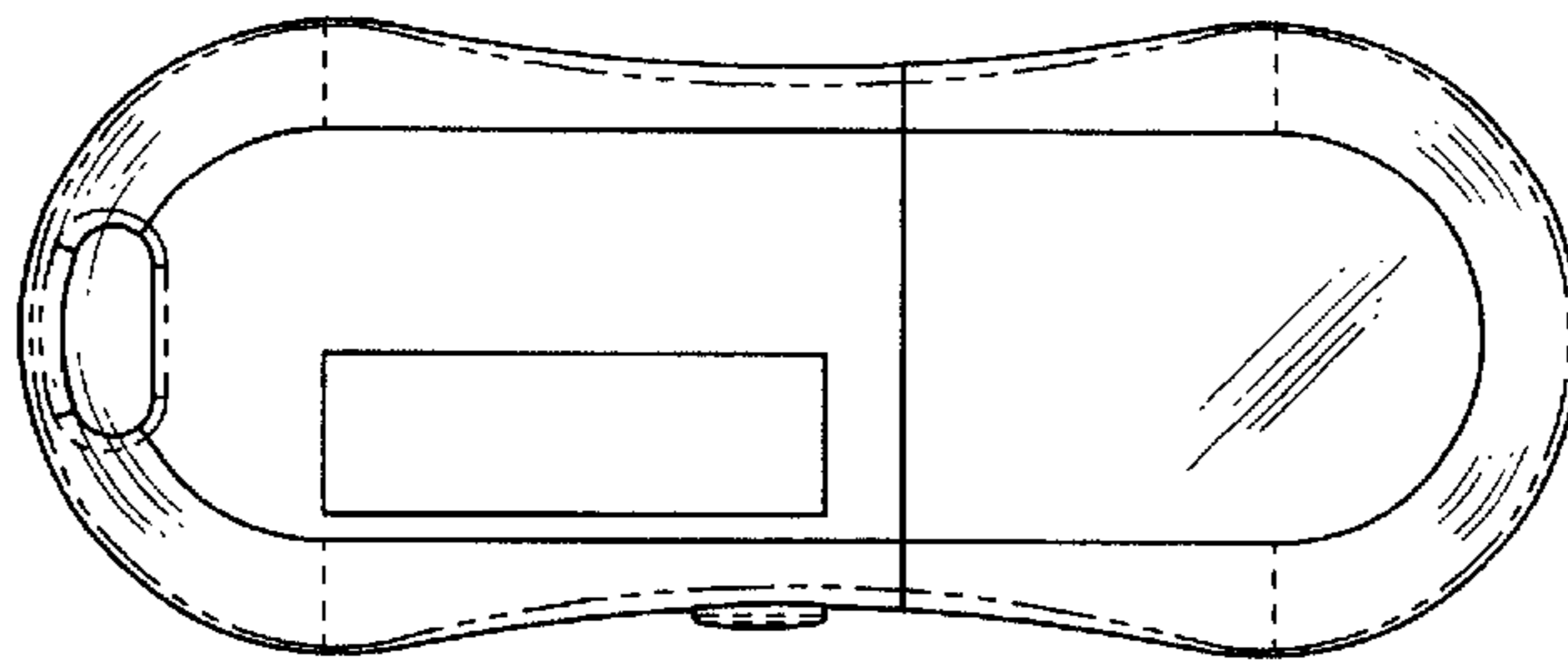


FIG. 4

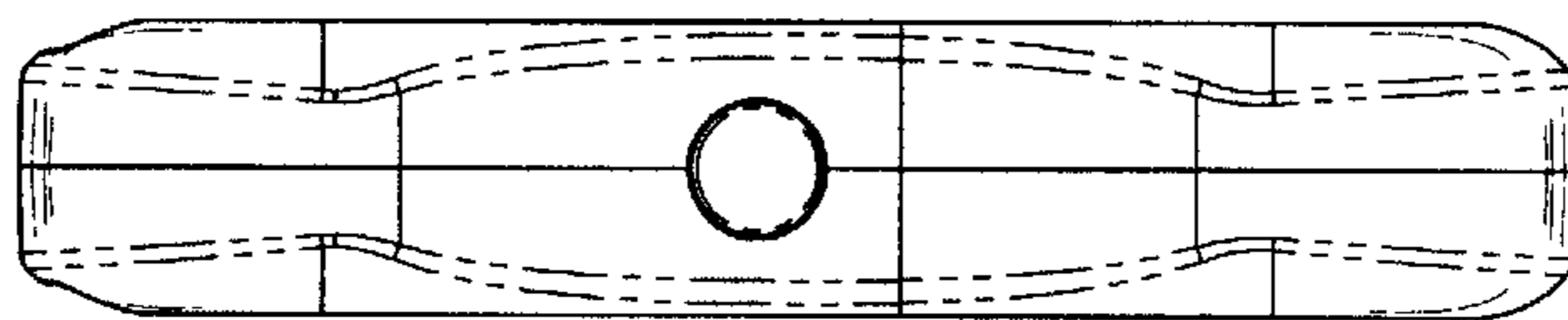


FIG. 6

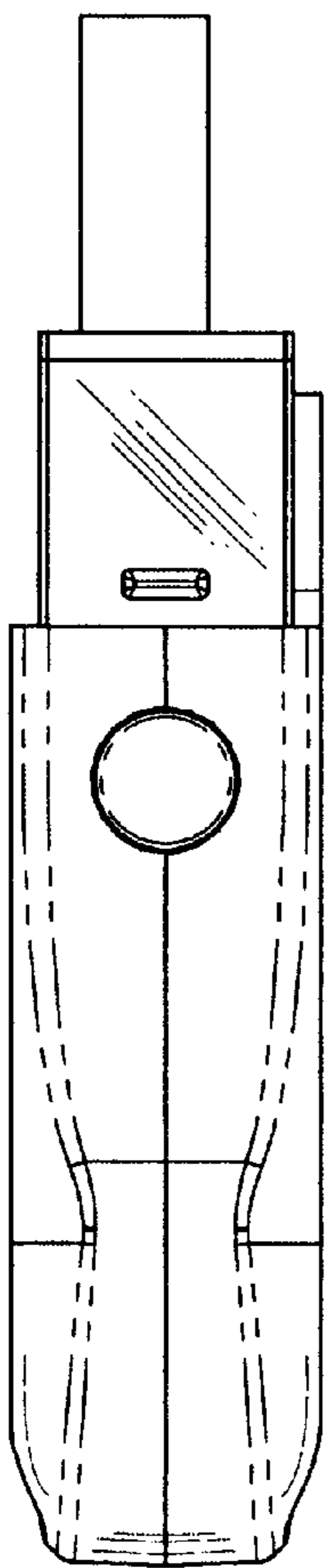
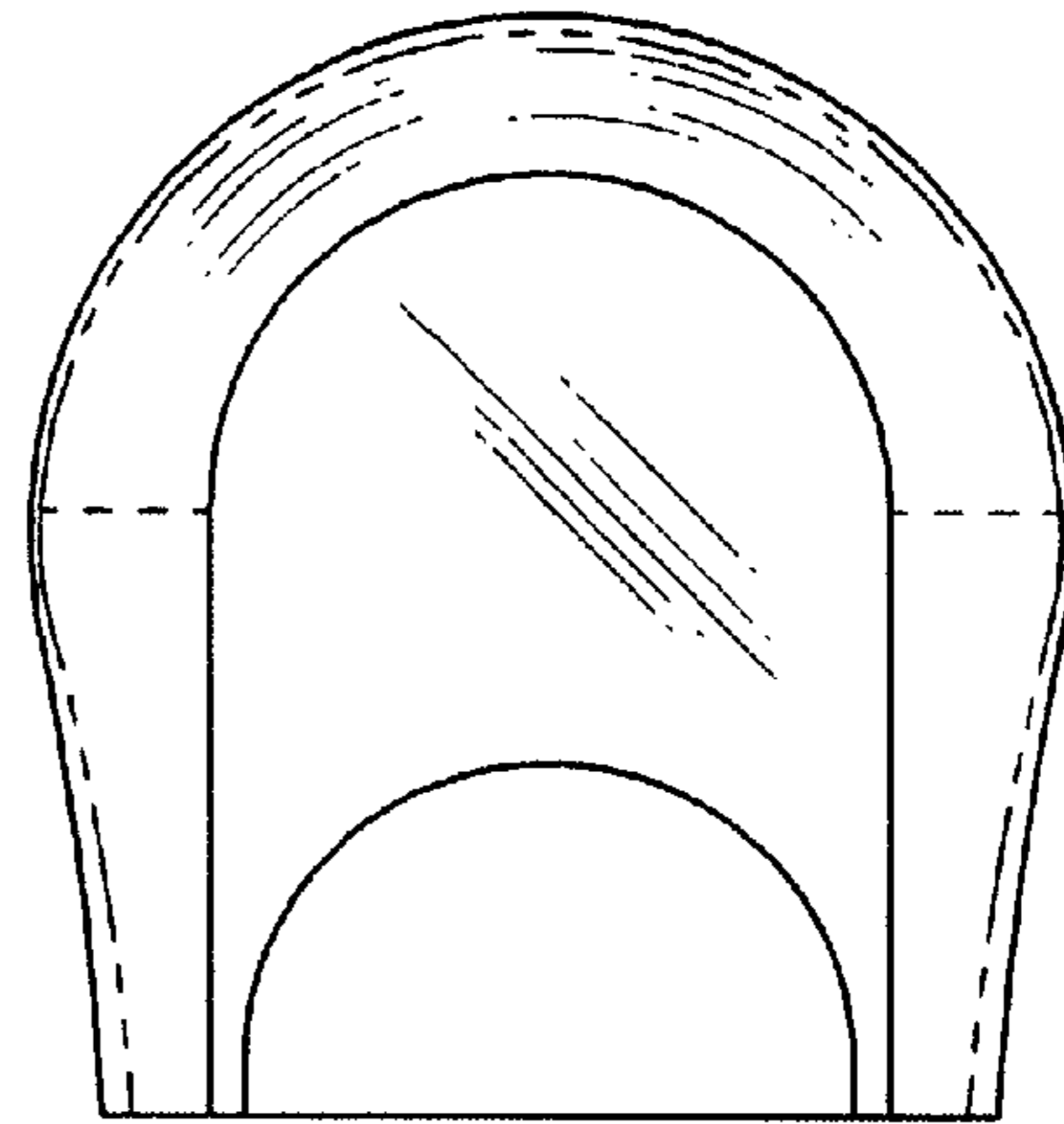
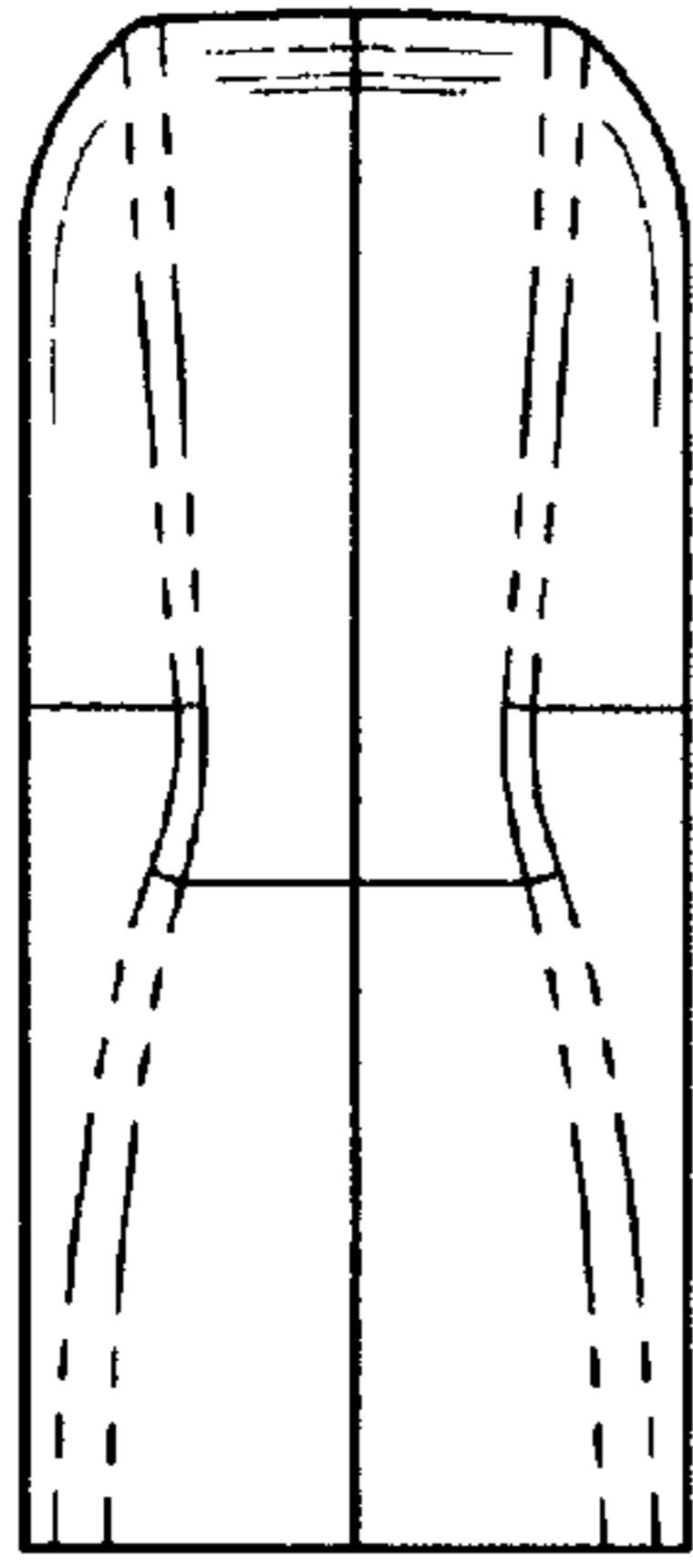


FIG. 8

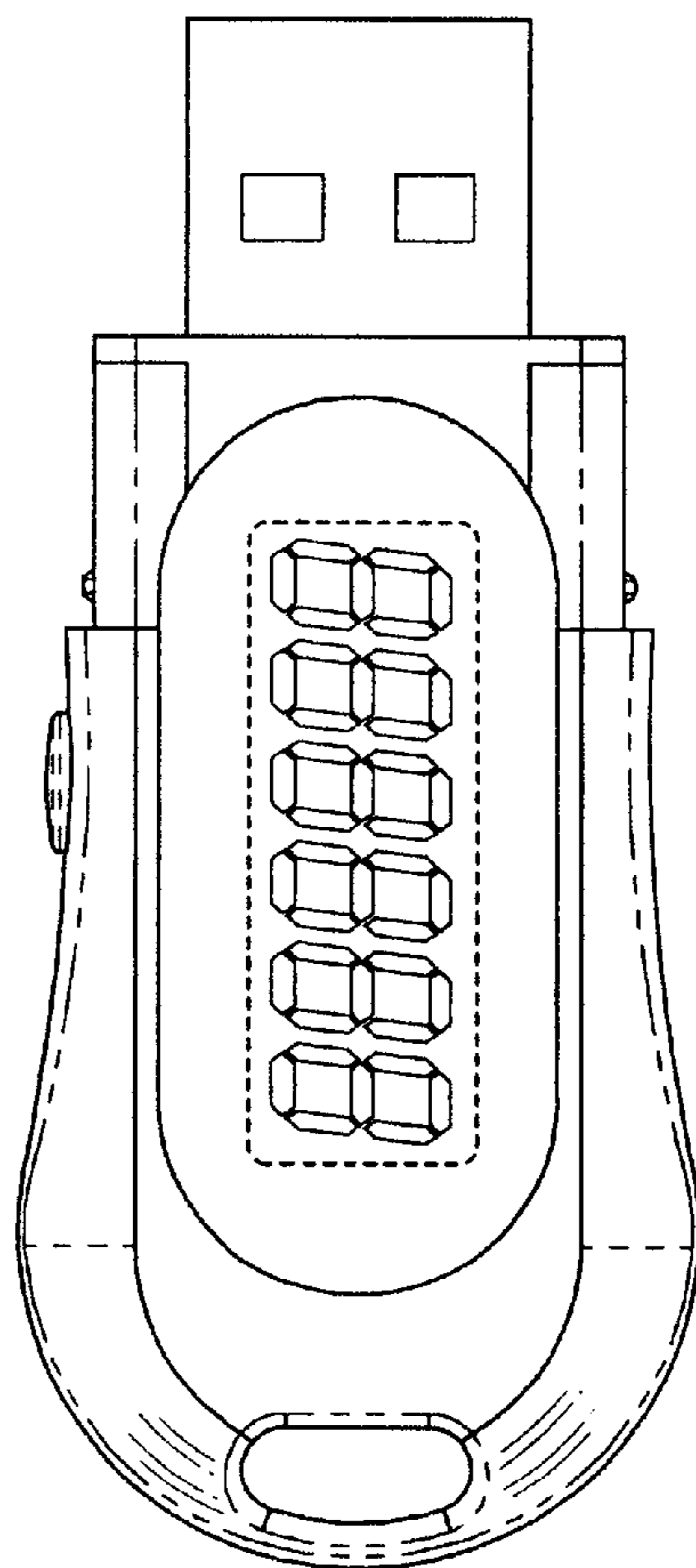


FIG. 7

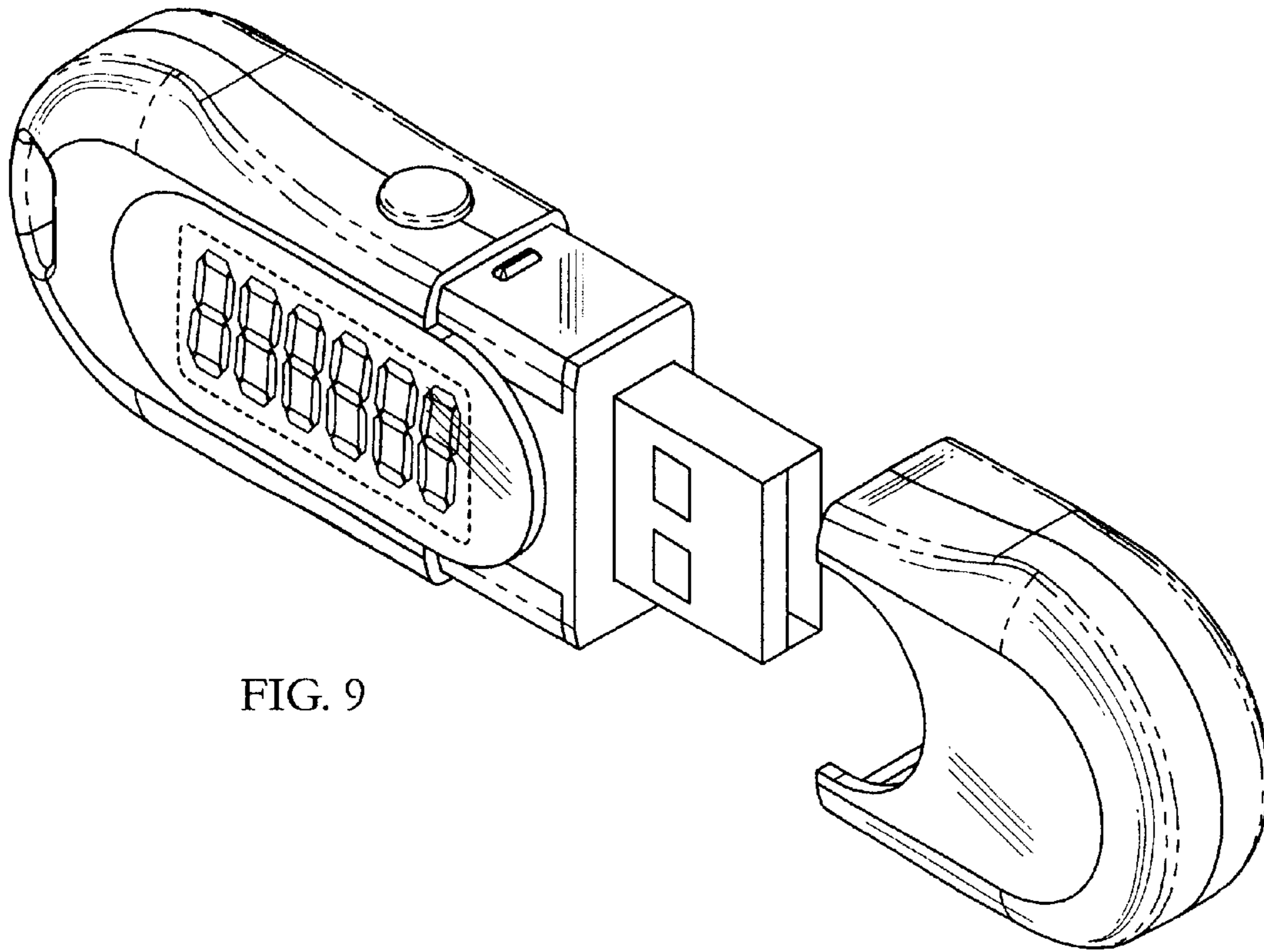


FIG. 9

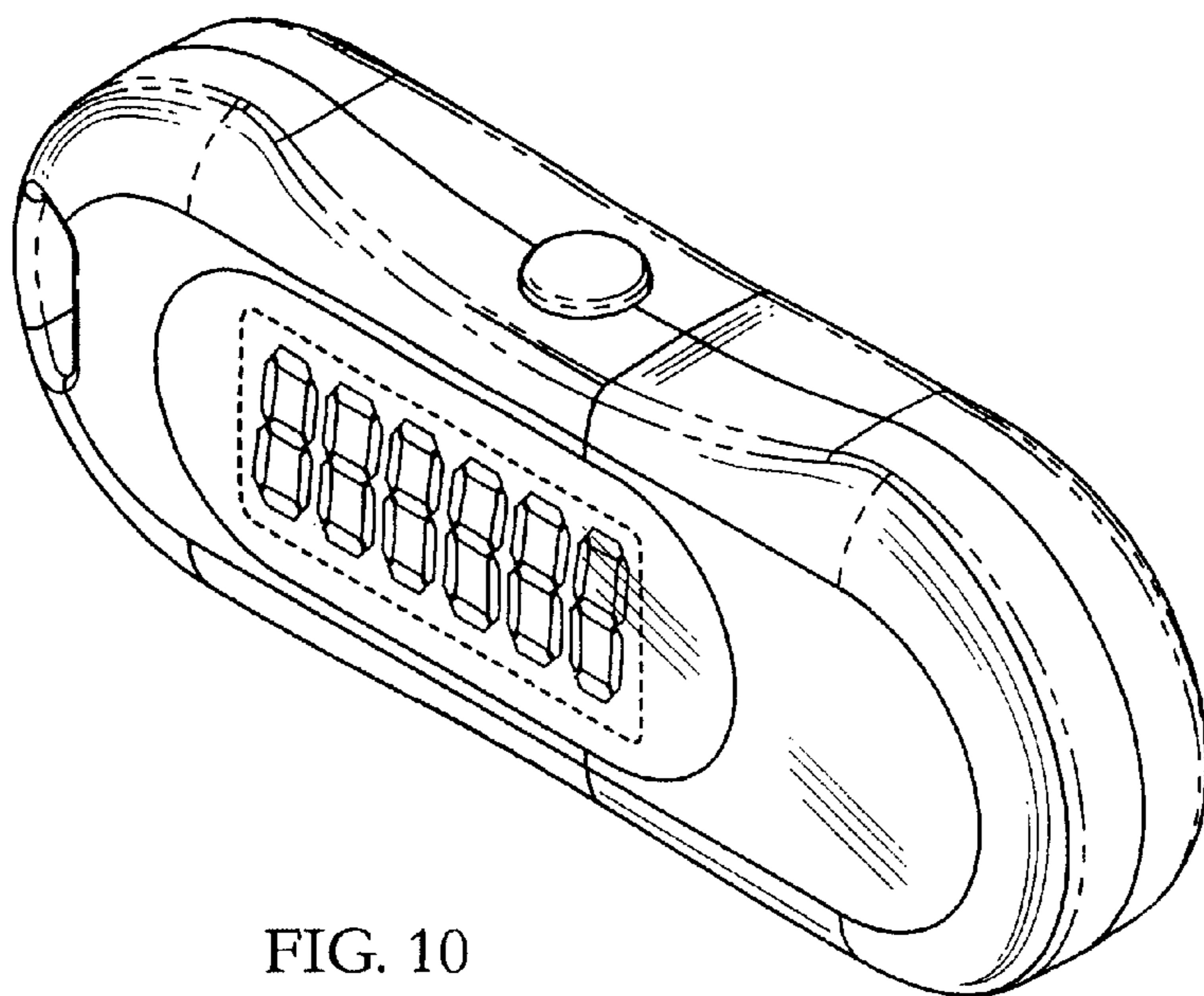


FIG. 10

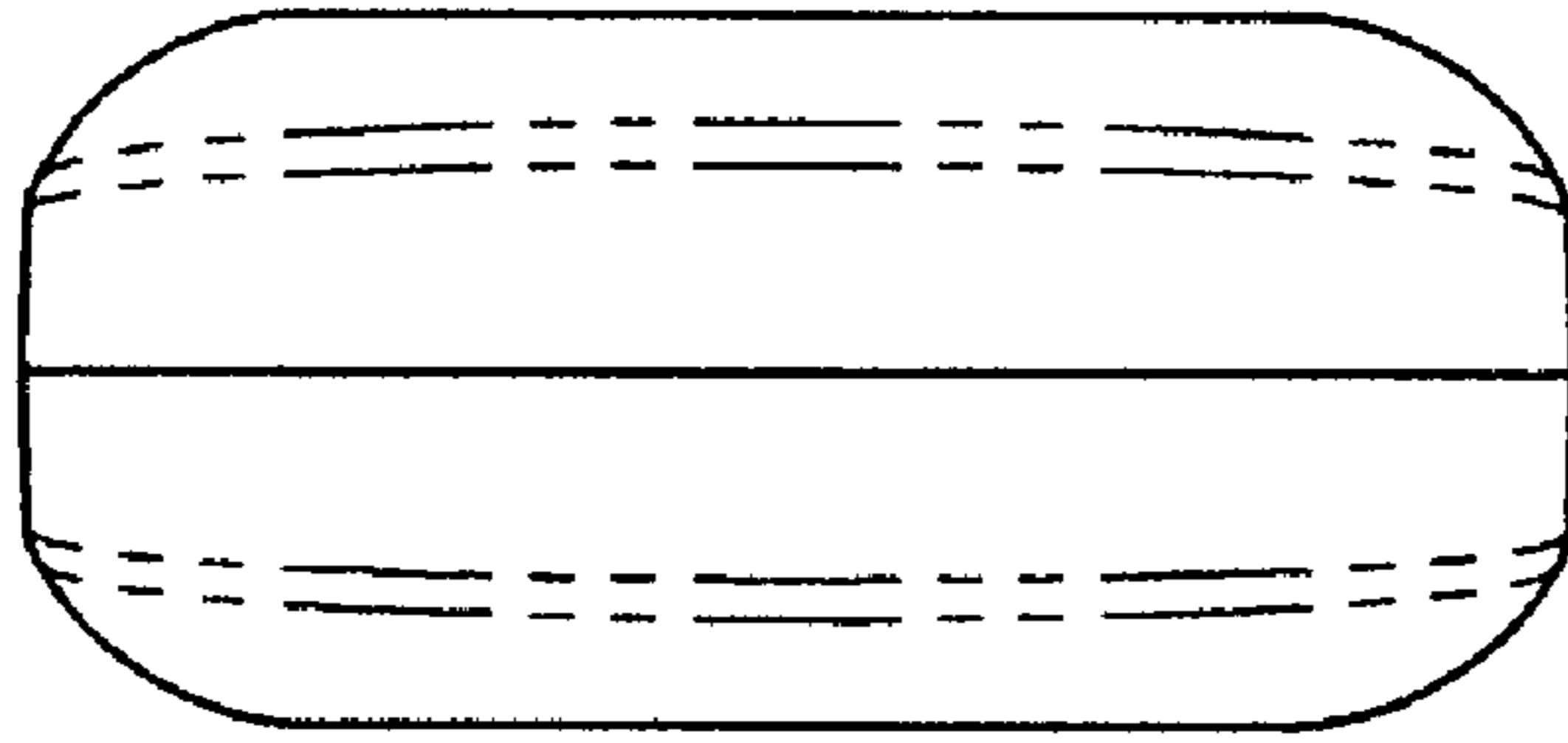


FIG. 13

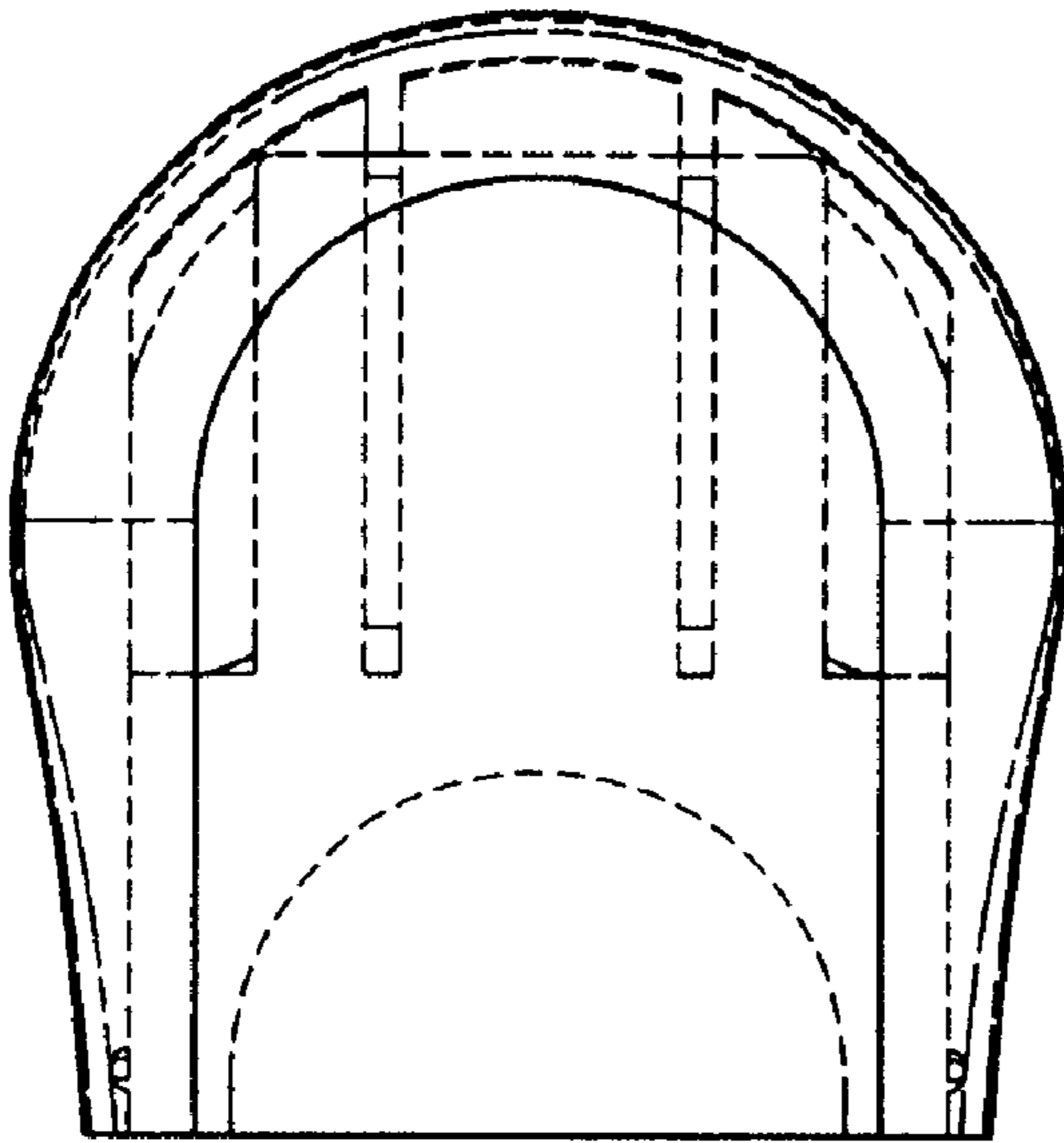


FIG. 11

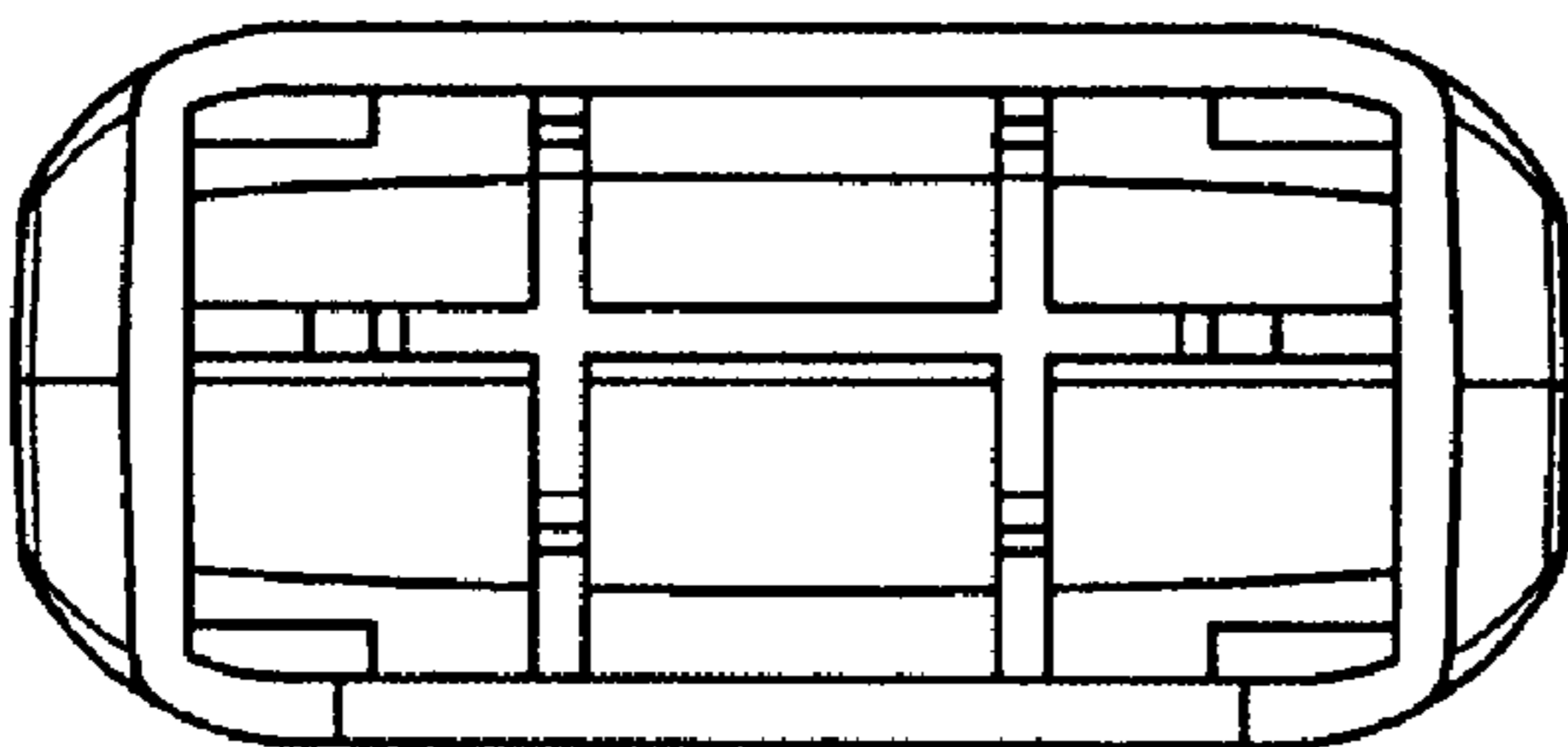


FIG. 12