



US00D532781S

(12) **United States Design Patent** (10) **Patent No.:** **US D532,781 S**
Ohno (45) **Date of Patent:** **** Nov. 28, 2006**

(54) **COMPUTER**

(75) Inventor: **Shigeki Ohno**, Tokyo (JP)

(73) Assignee: **Sony Corporation**, Tokyo (JP)

(**) Term: **14 Years**

(21) Appl. No.: **29/239,311**

(22) Filed: **Sep. 29, 2005**

(30) **Foreign Application Priority Data**

Jun. 23, 2005 (JP) D2005-018175

(51) **LOC (8) Cl.** **14-02**

(52) **U.S. Cl.** **D14/300**

(58) **Field of Classification Search** D14/300-302,
D14/308, 349, 310-314, 348, 351-366; D13/162,
D13/163, 184, 199; 312/223.1-223.3; 360/99.01,
360/99.12; 361/690-696; 369/34.01, 36.01
See application file for complete search history.

(56) **References Cited**

U.S. PATENT DOCUMENTS

D403,668 S *	1/1999	Parent	D14/356
6,088,224 A *	7/2000	Gallagher et al.	361/695
D436,105 S	1/2001	Goto		
D445,788 S	7/2001	Goto		
D474,767 S *	5/2003	Heesen	D14/354
D493,458 S *	7/2004	Kanatani et al.	D14/356
D494,586 S *	8/2004	Kanatani et al.	D14/356
D495,330 S *	8/2004	Kanatani et al.	D14/356

FOREIGN PATENT DOCUMENTS

JP D1216601 S 9/2004

OTHER PUBLICATIONS

Catalog "HP z540 Digital Entertainment Center" www.hp.com, 5 sheets, Hewlett-Packard Development Company, L.P. (2004).

Web page "ePC S3000-W" http://ww.links.co.jp/thml/press2/links_epc_s3000w.html, 1 sheet, KK Links International (Jul. 2005).

* cited by examiner

Primary Examiner—Freda S. Nunn

(74) *Attorney, Agent, or Firm*—Rader, Fishman & Grauer PLLC

(57) **CLAIM**

The ornamental design for a computer, as shown.

DESCRIPTION

FIG. 1 is a perspective view of a computer showing my new design;

FIG. 2 is a front elevational view thereof;

FIG. 3 is a rear elevational view thereof;

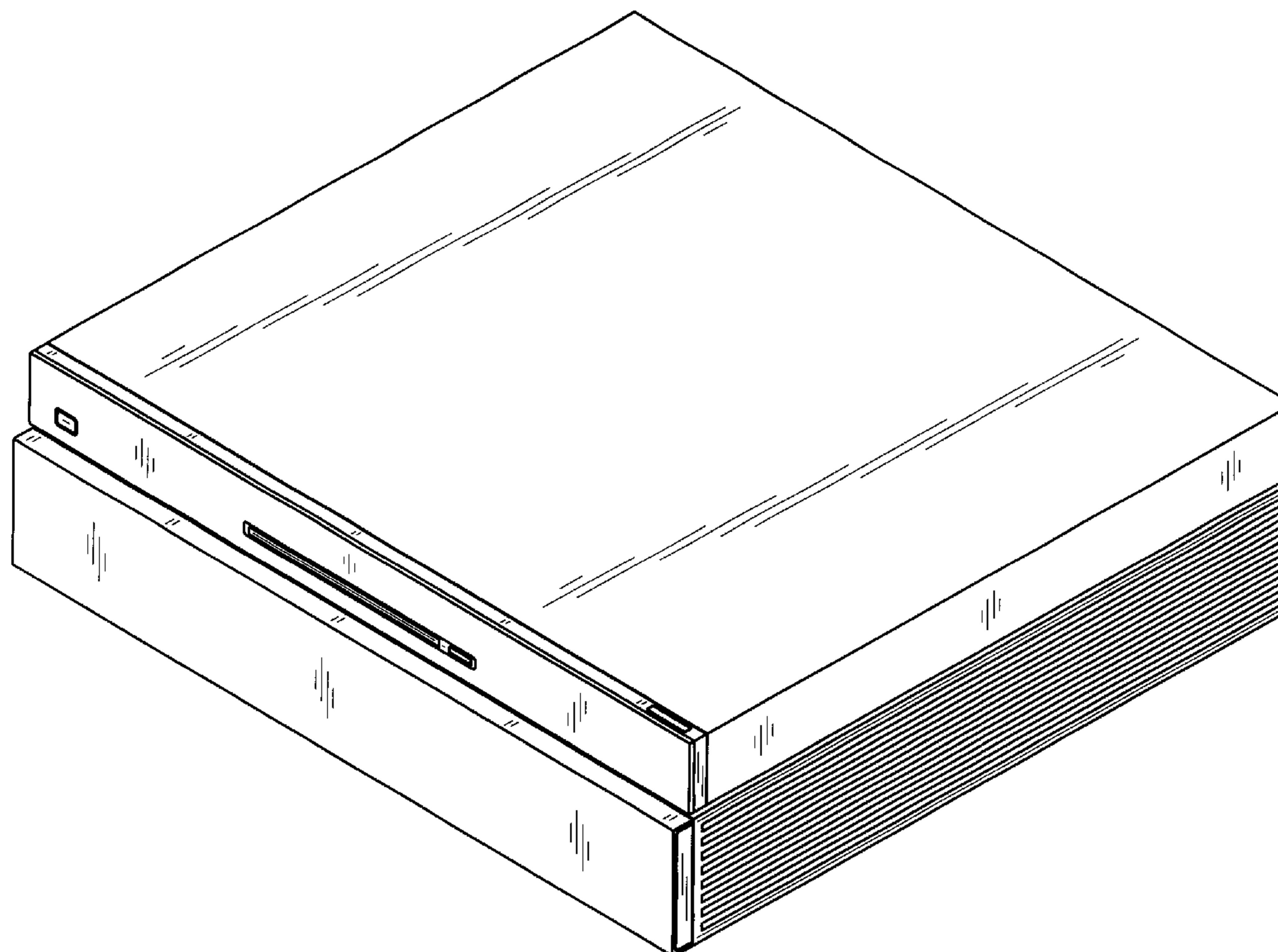
FIG. 4 is a left side elevational view thereof;

FIG. 5 is a right side elevational view thereof;

FIG. 6 is a top plan view thereof; and,

FIG. 7 is a bottom plan view thereof.

1 Claim, 7 Drawing Sheets



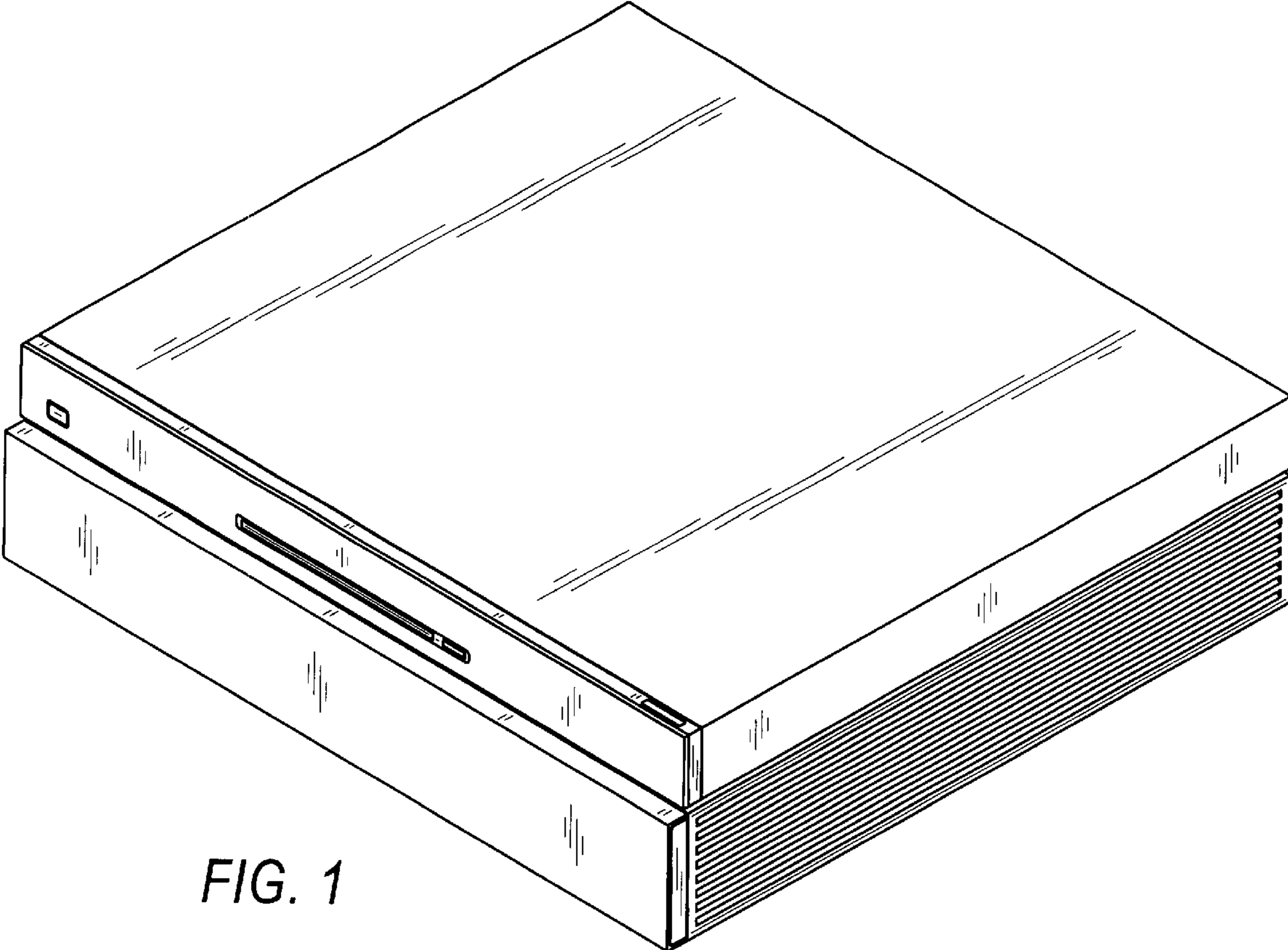


FIG. 1

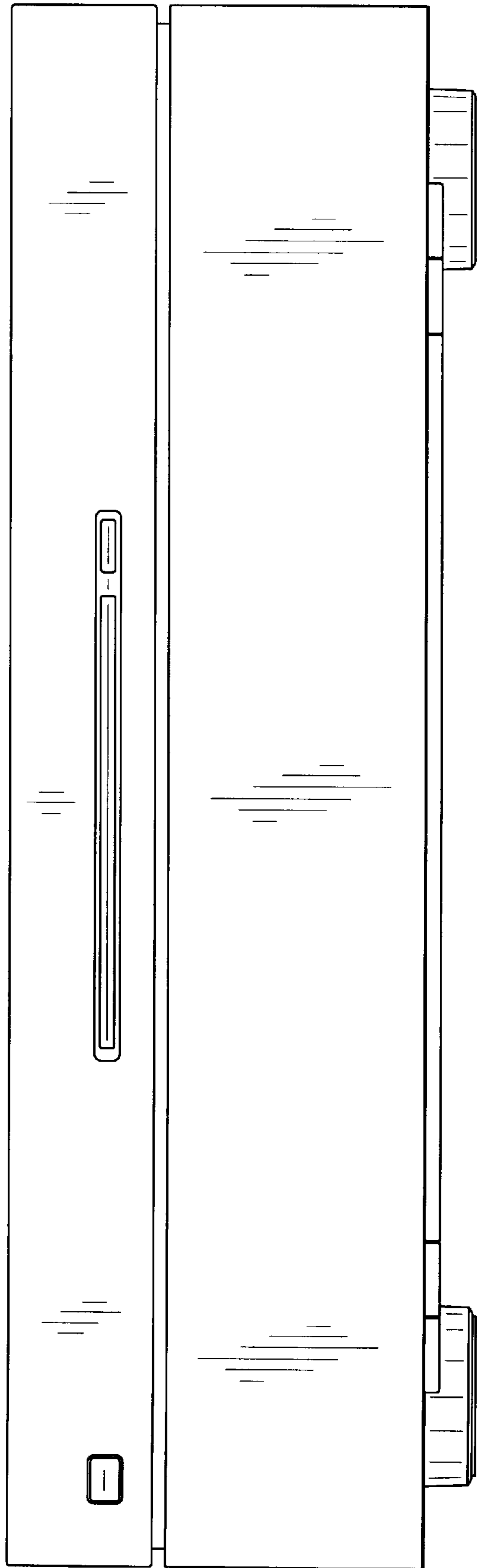


FIG. 2

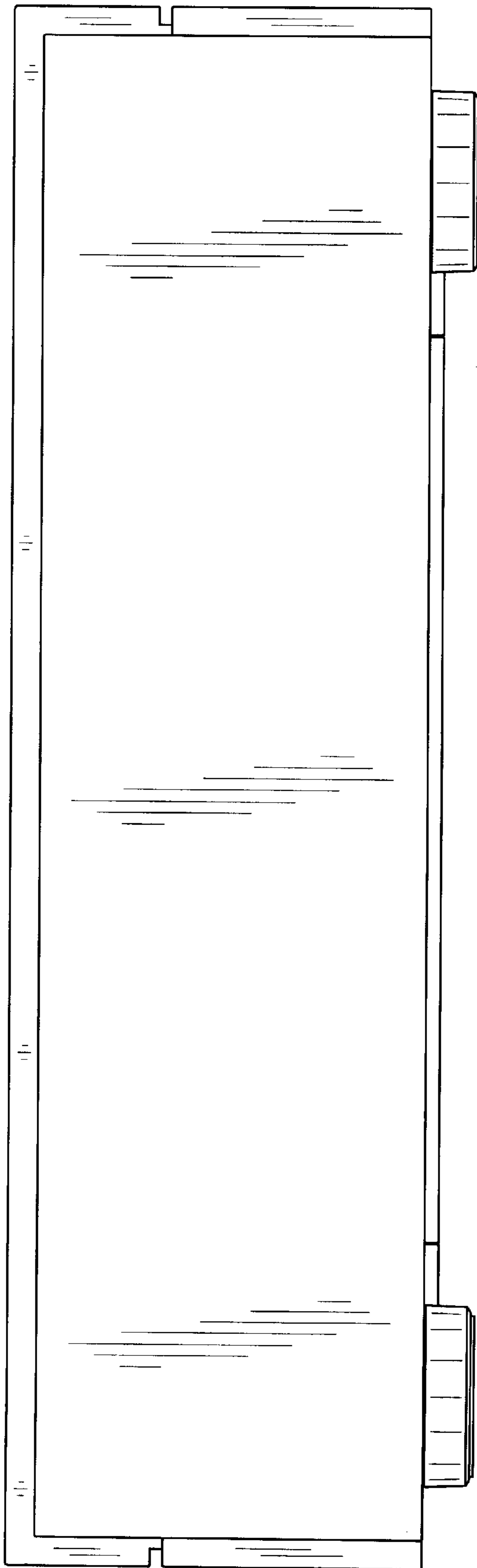


FIG. 3

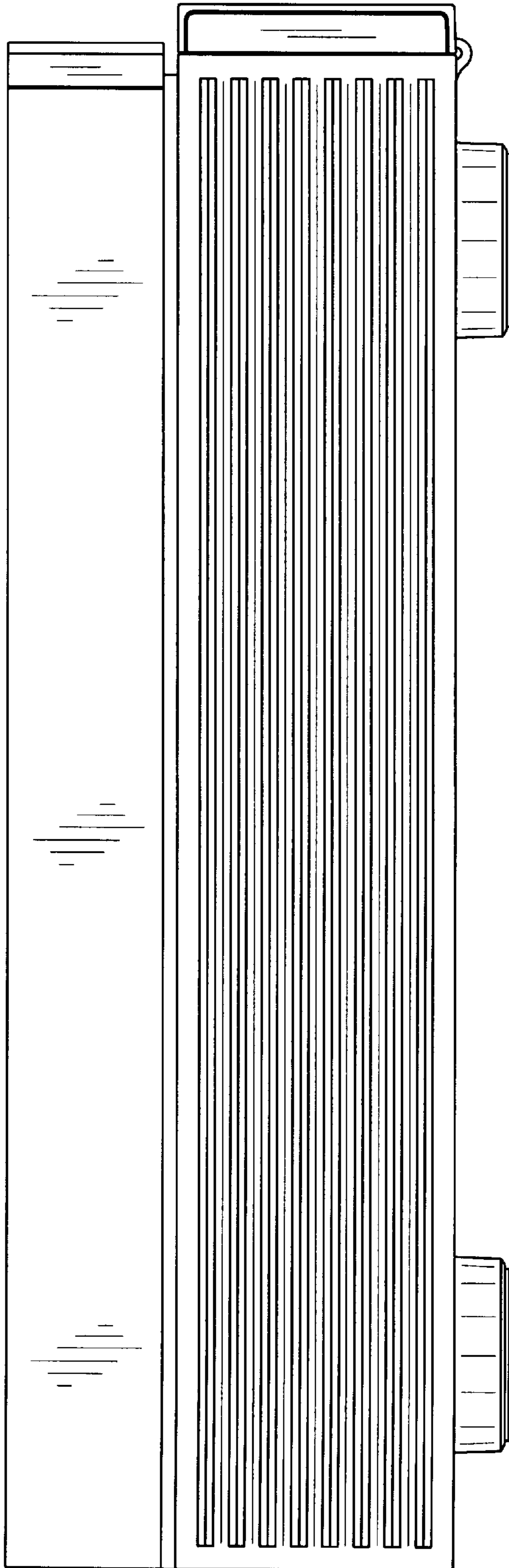


FIG. 4

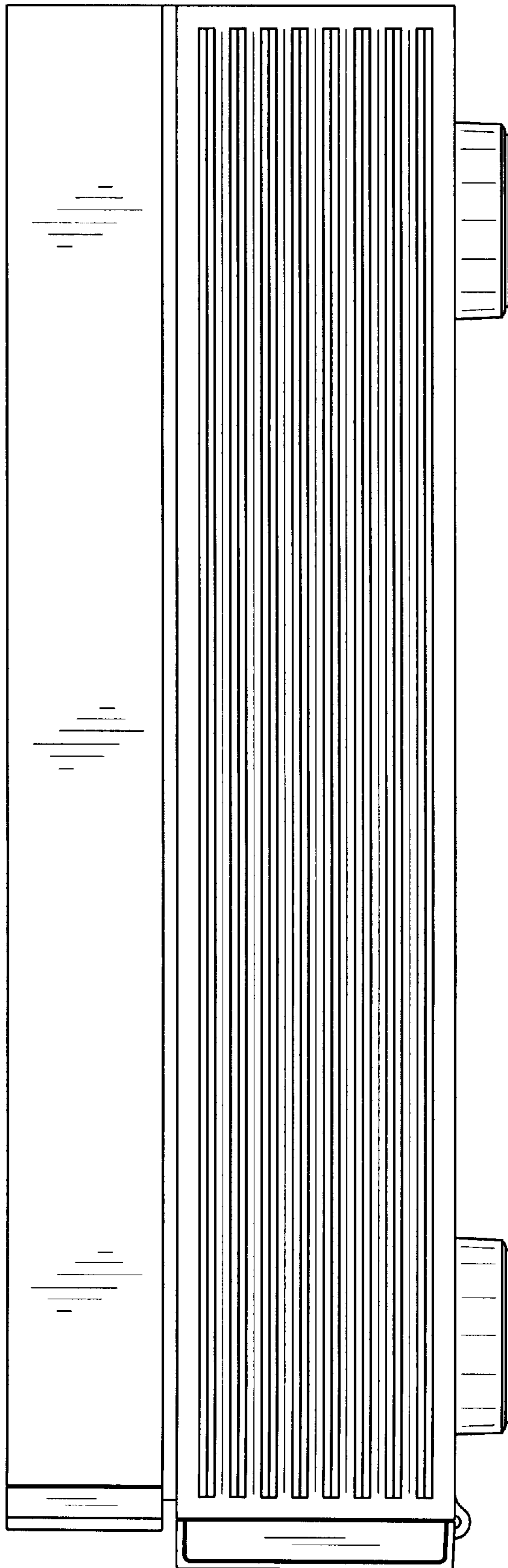


FIG. 5

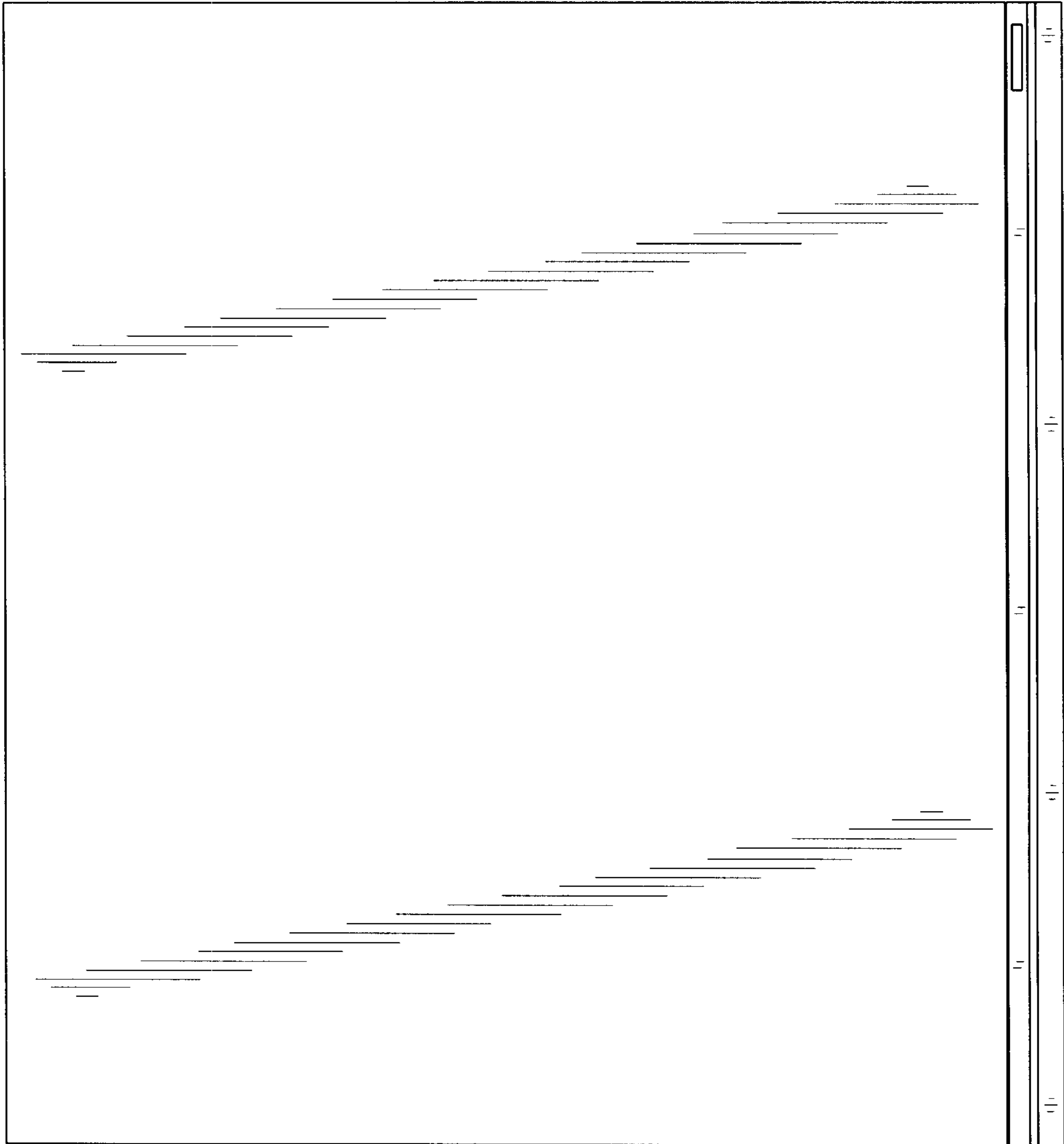


FIG. 6

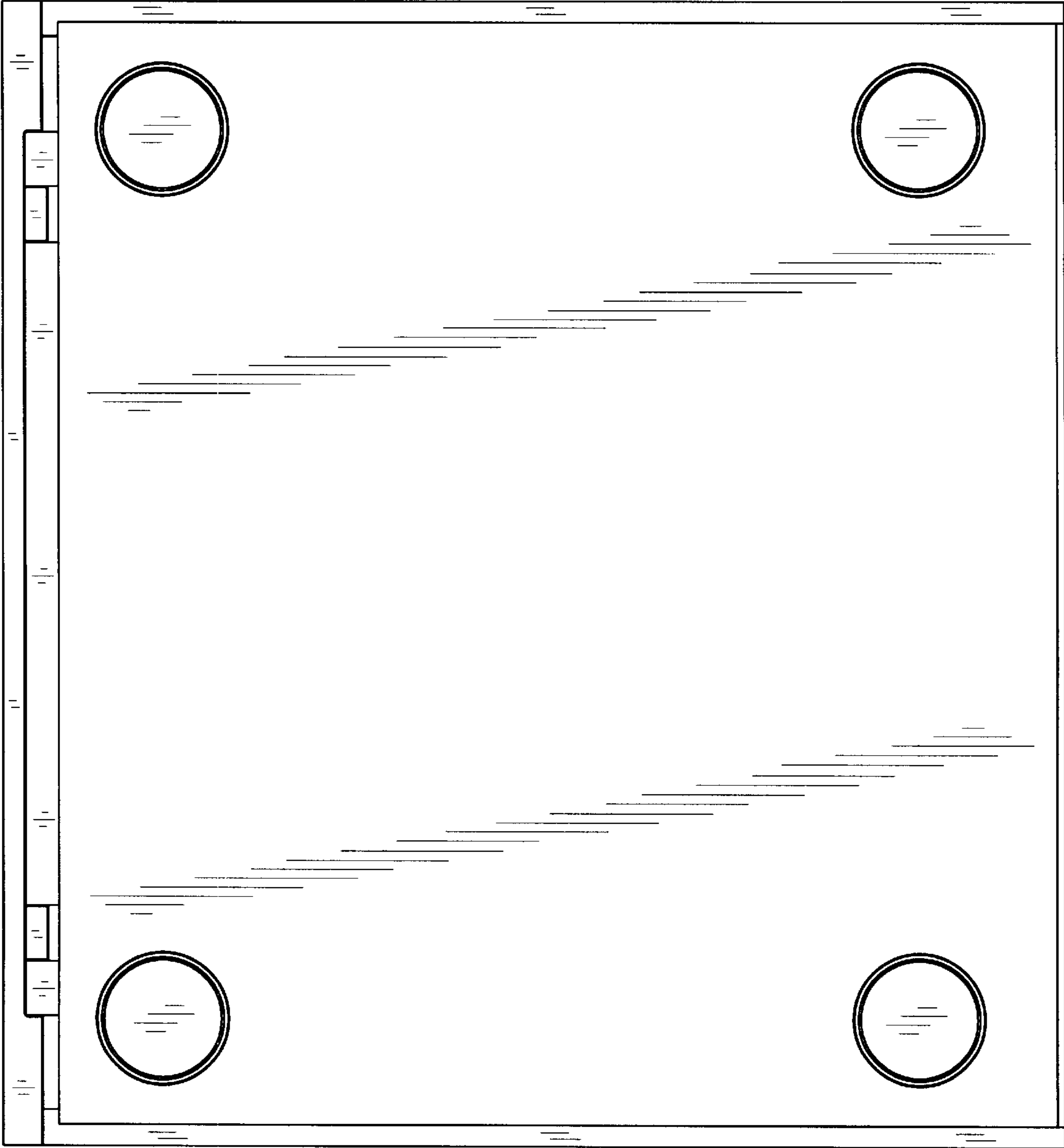


FIG. 7