



US00D532780S

(12) **United States Design Patent**
Proctor, Jr. et al.

(10) **Patent No.:** **US D532,780 S**

(45) **Date of Patent:** **** Nov. 28, 2006**

(54) **WIRELESS REPEATER HOUSING**

(75) Inventors: **James A. Proctor, Jr.**, Melbourne
Beach, FL (US); **Kenneth M. Gainey**,
Satellite Beach, FL (US)

(73) Assignee: **WiDeFi, Inc.**, Melbourne, FL (US)

(**) Term: **14 Years**

(21) Appl. No.: **29/229,607**

(22) Filed: **May 10, 2005**

(51) **LOC (8) Cl.** **14-03**

(52) **U.S. Cl.** **D14/240**

(58) **Field of Classification Search** D14/240,
D14/242, 246, 192, 223, 140.1, 140.4, 356,
D14/358; D13/184, 123; 181/129-130; 379/430,
379/431, 433.01, 420.03, 957, 52, 106.1,
379/333-337, 387.01, 399.01, 413.02, 413.04;
455/569.1, 510, 524; 439/717; D26/139,
D26/135, 120

See application file for complete search history.

(56) **References Cited**

U.S. PATENT DOCUMENTS

D146,254 S * 1/1947 Cadwallder D26/120
D289,287 S * 4/1987 Aldrich et al. D14/240
D351,841 S * 10/1994 Blankenship et al. D14/242

D380,475 S * 7/1997 Rasmussen D14/240
D420,761 S * 2/2000 Dahl D26/139
D427,712 S * 7/2000 Dolan D26/135
D439,536 S * 3/2001 Matsuda D10/106
D462,675 S * 9/2002 Kusz et al. D14/140.6
D462,676 S * 9/2002 Sodling D14/240
D497,350 S * 10/2004 Ichitsubo et al. D14/240
D509,824 S * 9/2005 Storti et al. D14/240

* cited by examiner

Primary Examiner—Charles A. Rademaker

(74) *Attorney, Agent, or Firm*—Posz Law Group, PLC

(57) **CLAIM**

The ornamental design for a wireless repeater housing, as shown and described.

DESCRIPTION

FIG. 1 is a top plan view of a wireless repeater housing showing our new design;

FIG. 2 is a front elevation view thereof.

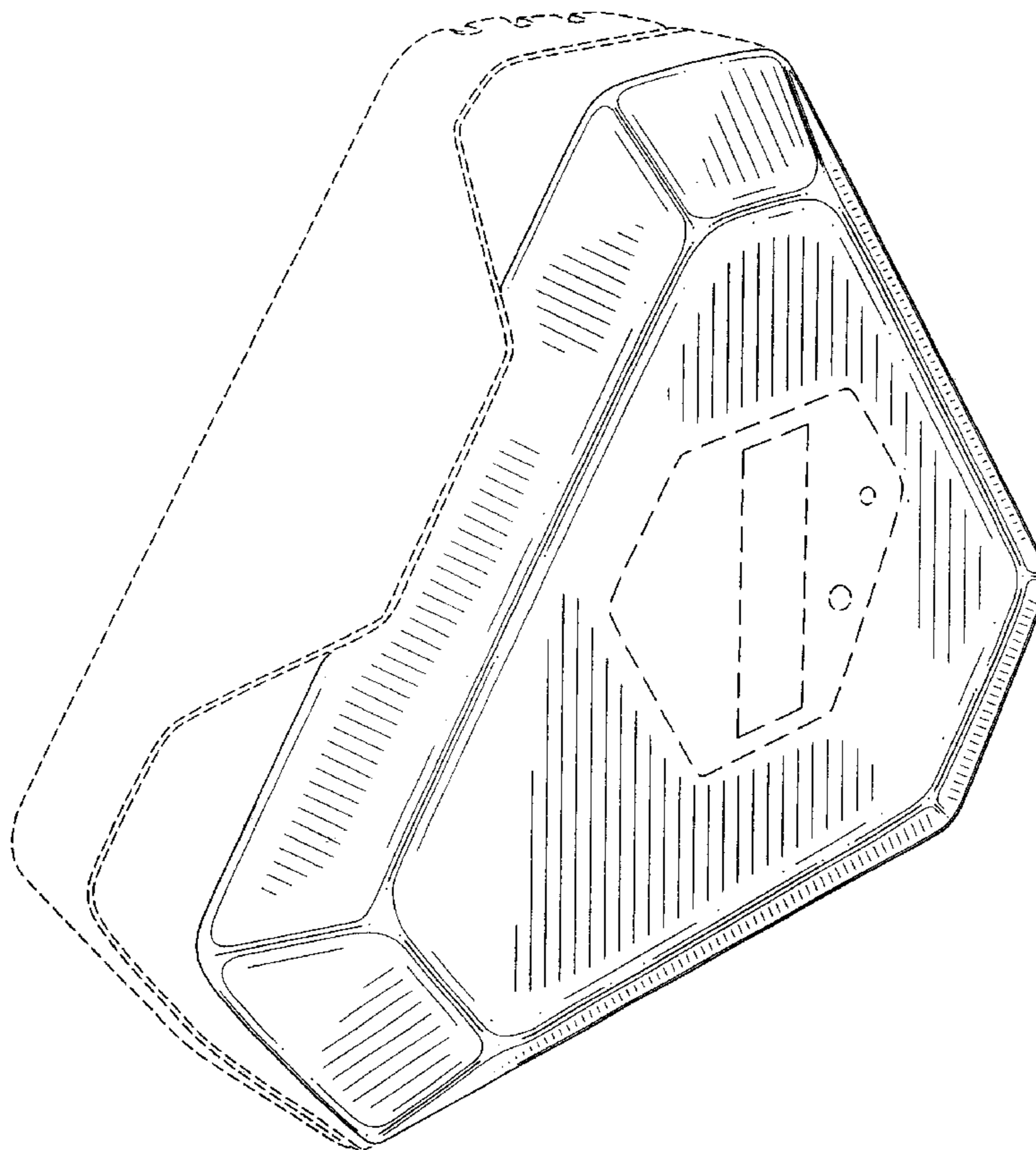
FIG. 3 is a right side elevation view thereof, with the left side being a mirror image thereof.

FIG. 4 is a top plan view thereof; and,

FIG. 5 is a bottom plan view thereof.

The structure shown in broken lines in FIGS. 1 through 5 is for illustrative purposes only and forms no part of the claimed design.

1 Claim, 4 Drawing Sheets



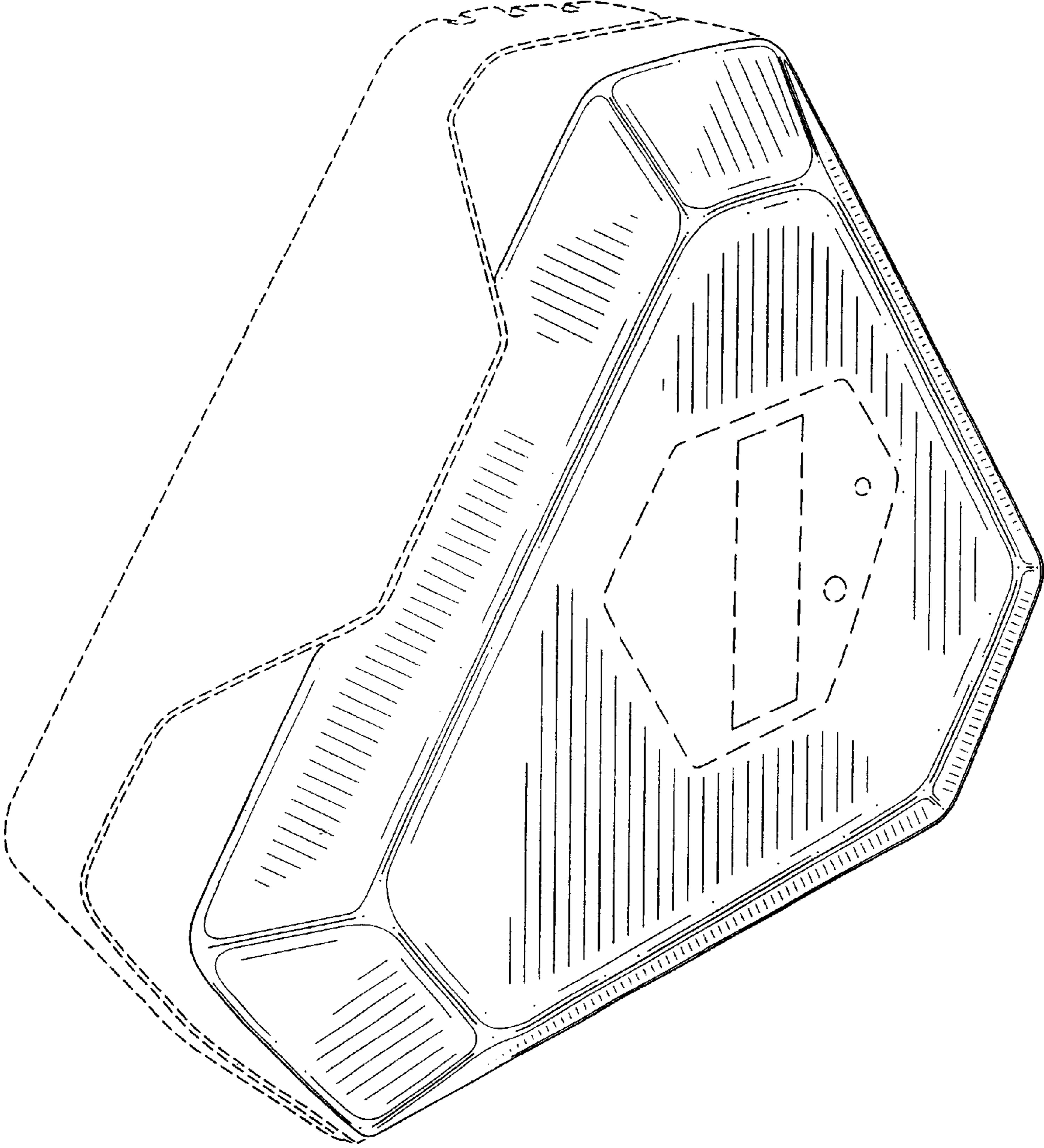


FIG. 1

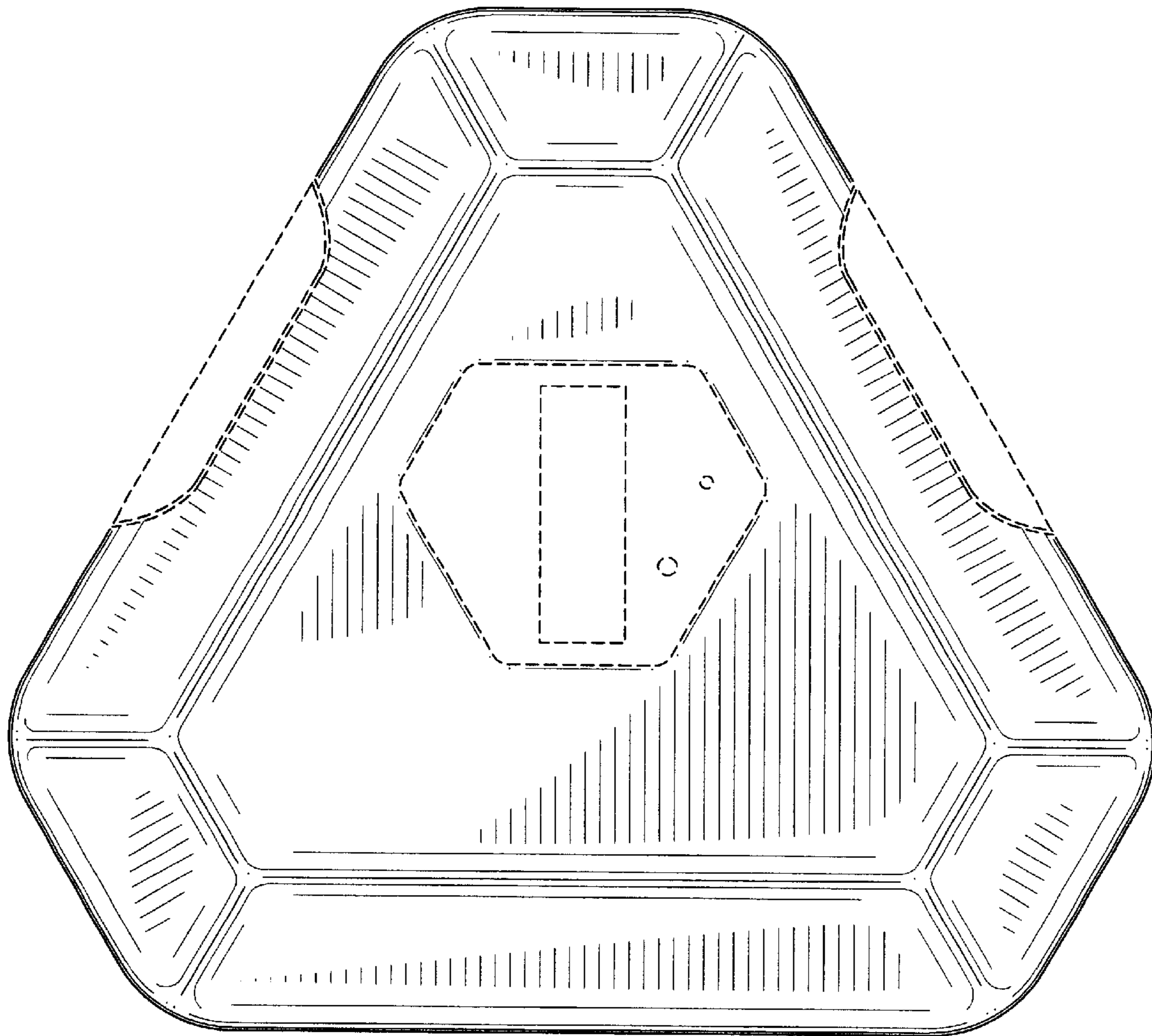


FIG. 2

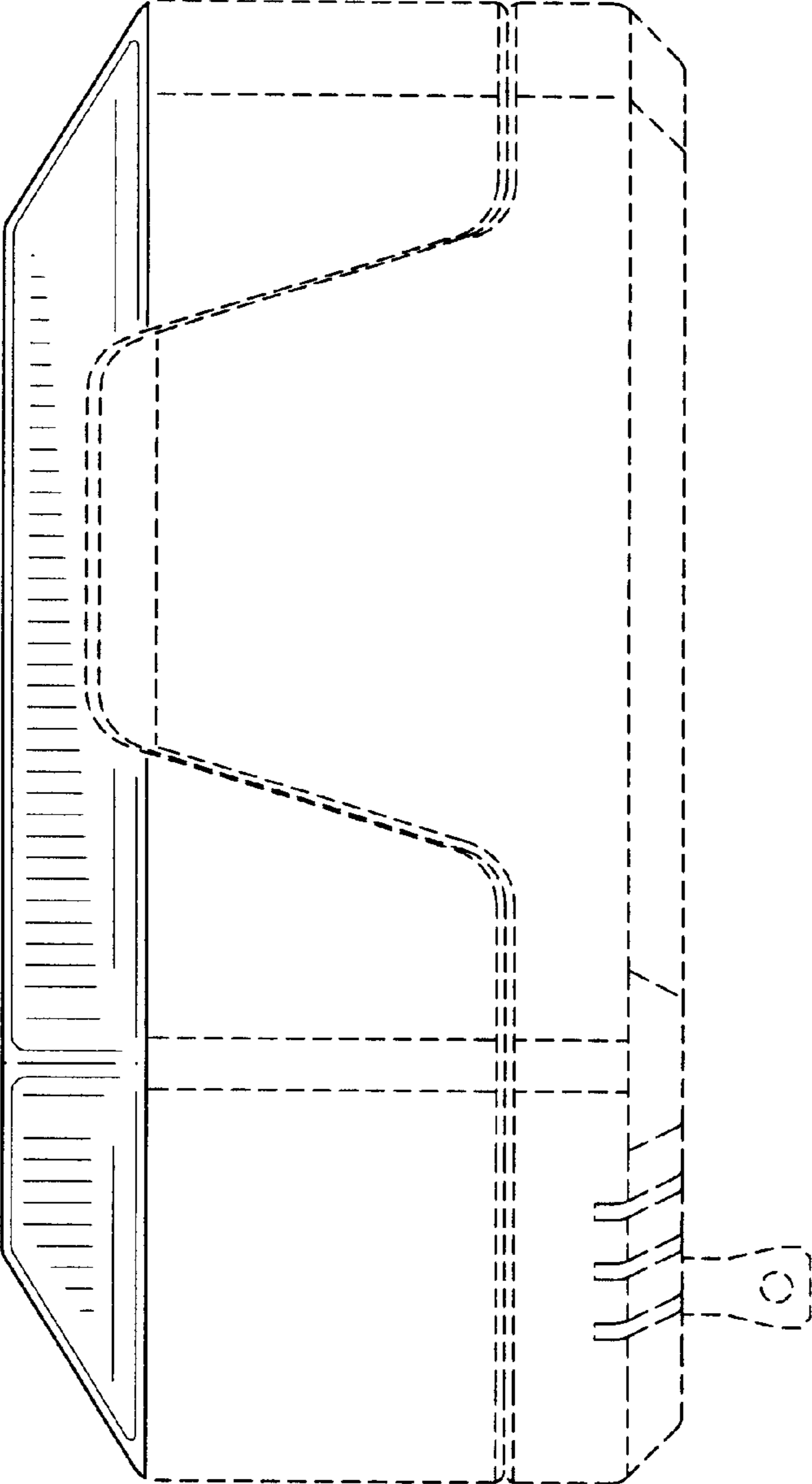


FIG. 3

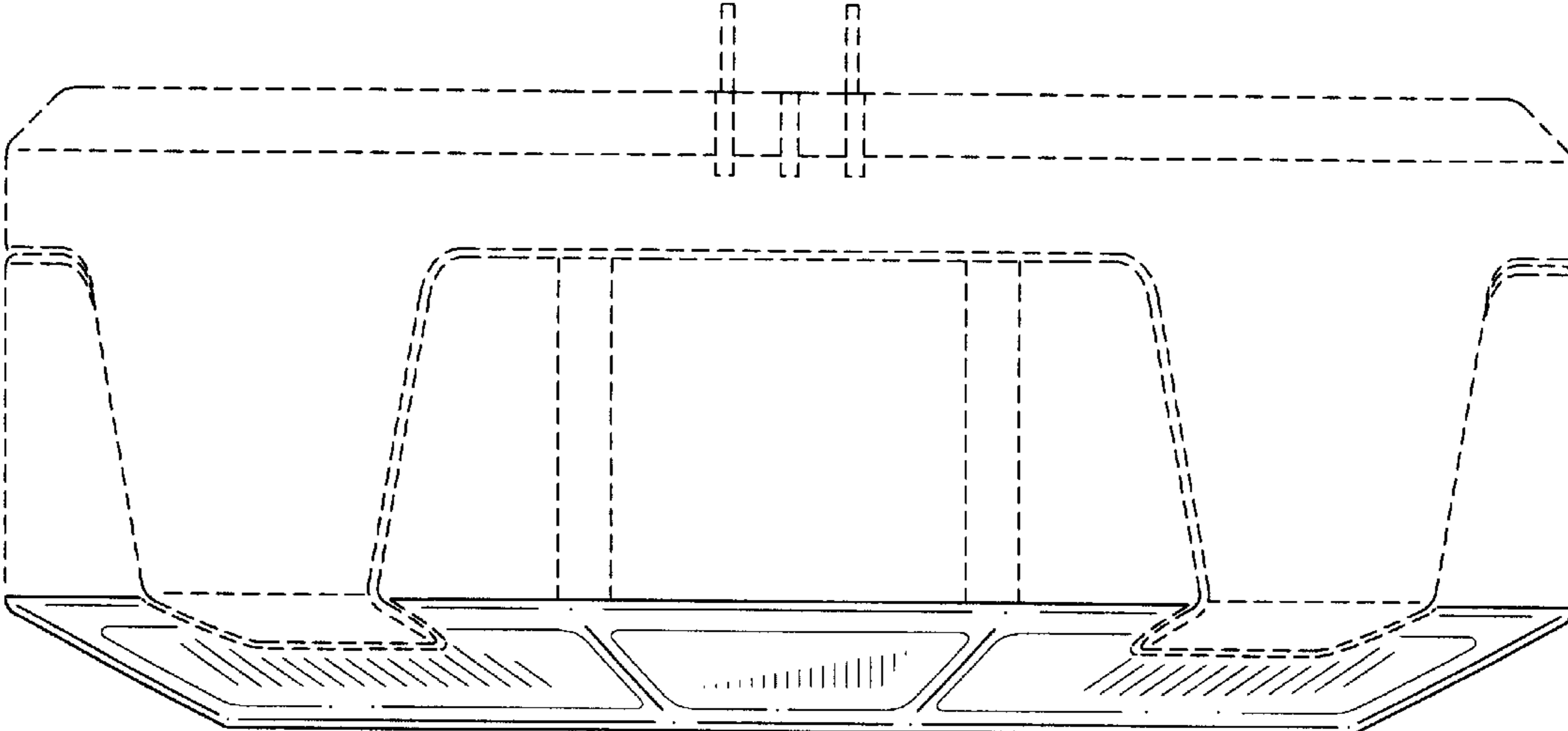


FIG. 4

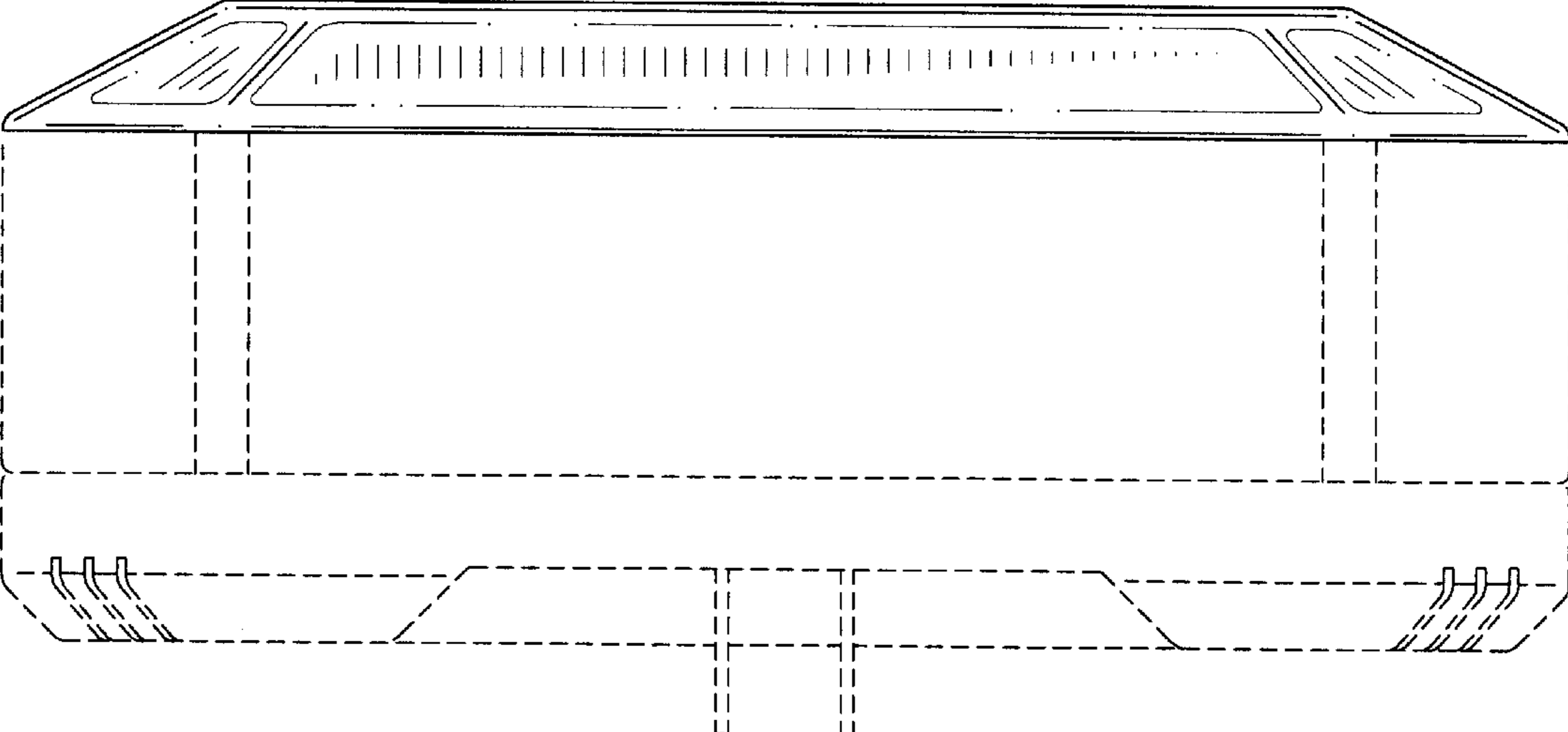


FIG. 5