

US00D532778S

(12) **United States Design Patent**
Hussaini et al.

(10) **Patent No.:** **US D532,778 S**

(45) **Date of Patent:** **** Nov. 28, 2006**

(54) **REMOTE CONTROL EARPHONE ACCESSORY**

(75) Inventors: **Saied Hussaini**, Miami, FL (US); **Marc Iacovelli**, Miami, FL (US)

(73) Assignee: **Intec, Inc.**, Miami, FL (US)

(**) Term: **14 Years**

(21) Appl. No.: **29/243,990**

(22) Filed: **Dec. 5, 2005**

(51) **LOC (8) Cl.** **14-03**

(52) **U.S. Cl.** **D14/218**

(58) **Field of Classification Search** D14/174,
D14/217, 218, 137-139, 151, 191-193, 299,
D14/167, 168; D13/168, 162-164; D21/512-517,
D21/566; D10/104, 106; 455/352-355, 151.1-151.4,
455/128, 347, 90.3; 348/114, 734
See application file for complete search history.

(56) **References Cited**

U.S. PATENT DOCUMENTS

D451,918 S * 12/2001 Kizu D14/341

D464,037 S * 10/2002 Waffensmith et al. D14/218
D469,761 S * 2/2003 Nussberger D14/341
D517,052 S * 3/2006 Skulley D14/223
D523,001 S * 6/2006 Hussaini et al. D14/218

* cited by examiner

Primary Examiner—Louis S. Zarfaz

Assistant Examiner—John Windmuller

(74) *Attorney, Agent, or Firm*—Berenato, White & Stavish

(57) **CLAIM**

The ornamental design for a remote control earphone accessory, as shown and described.

DESCRIPTION

FIG. 1 is a perspective view of a remote control earphone accessory showing our new design;
FIG. 2 is a front elevational view thereof;
FIG. 3 is a rear elevational view thereof;
FIG. 4 is a right side elevational view thereof;
FIG. 5 is a left side elevational view thereof,
FIG. 6 is a top plan view thereof; and,
FIG. 7 is a bottom plan view thereof.

1 Claim, 5 Drawing Sheets

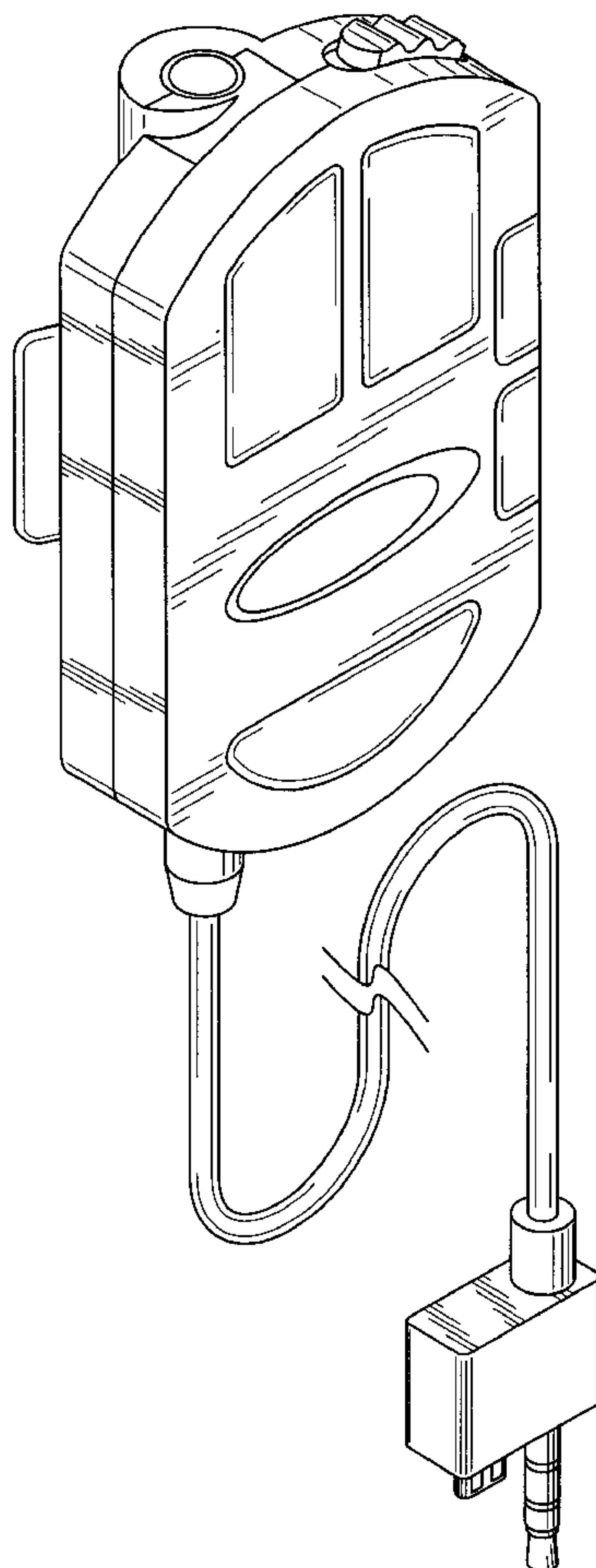


Fig. 1

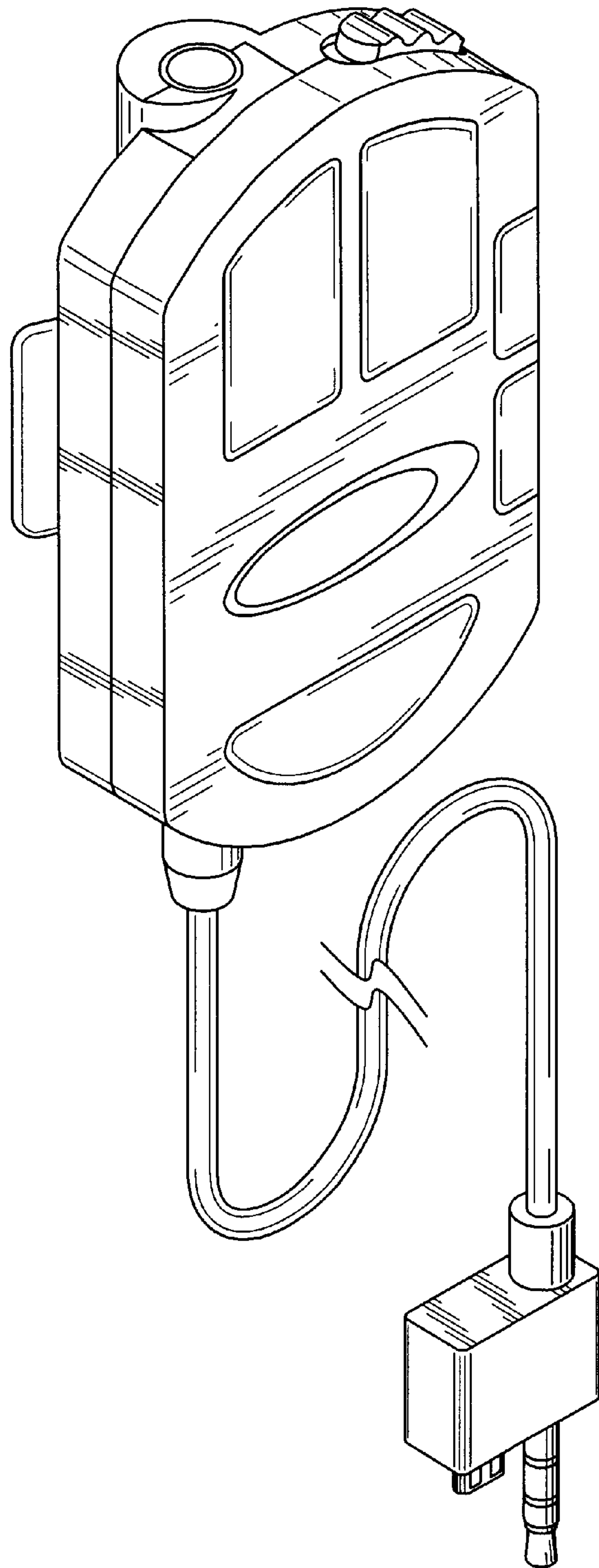


Fig. 2

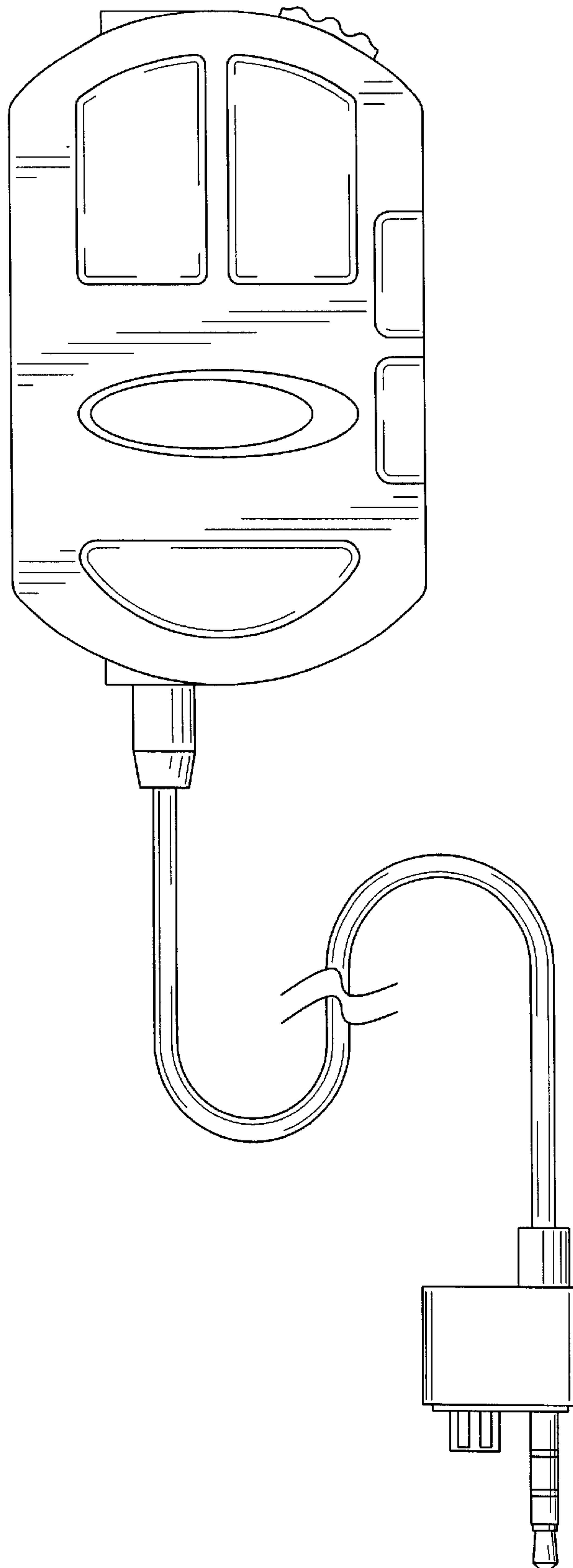


Fig. 3

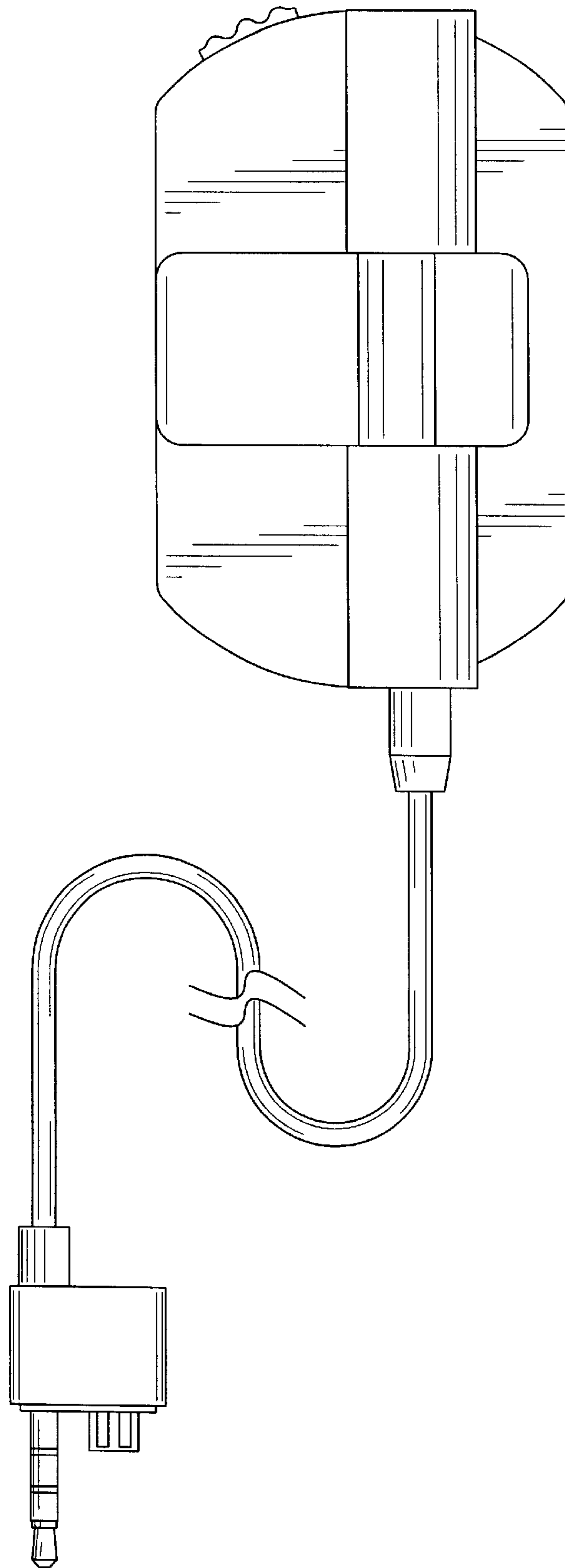


Fig. 4

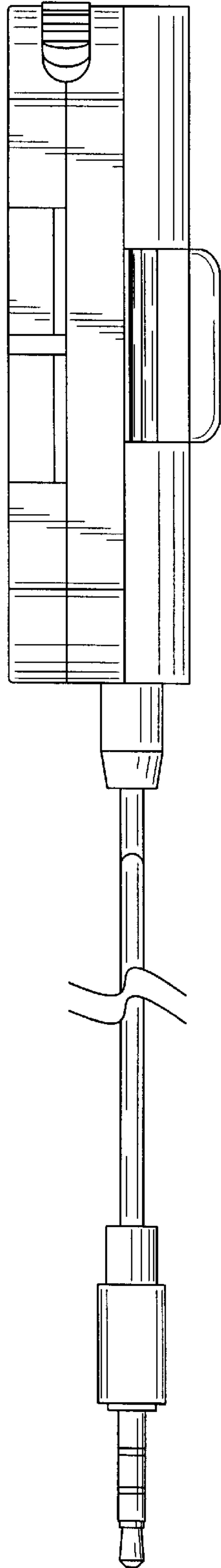


Fig. 5

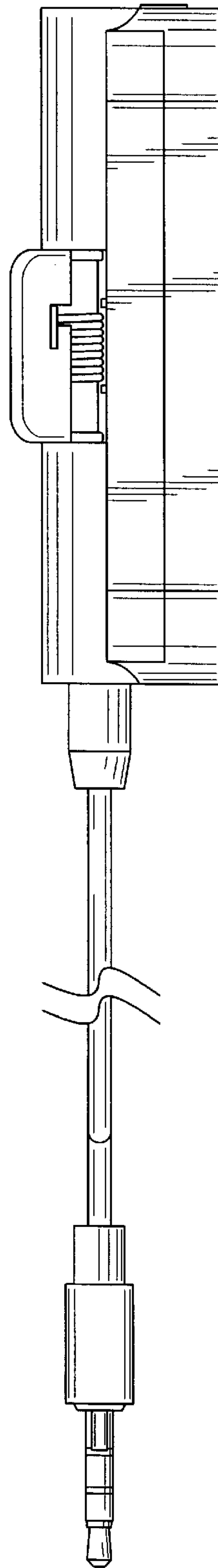


Fig. 6

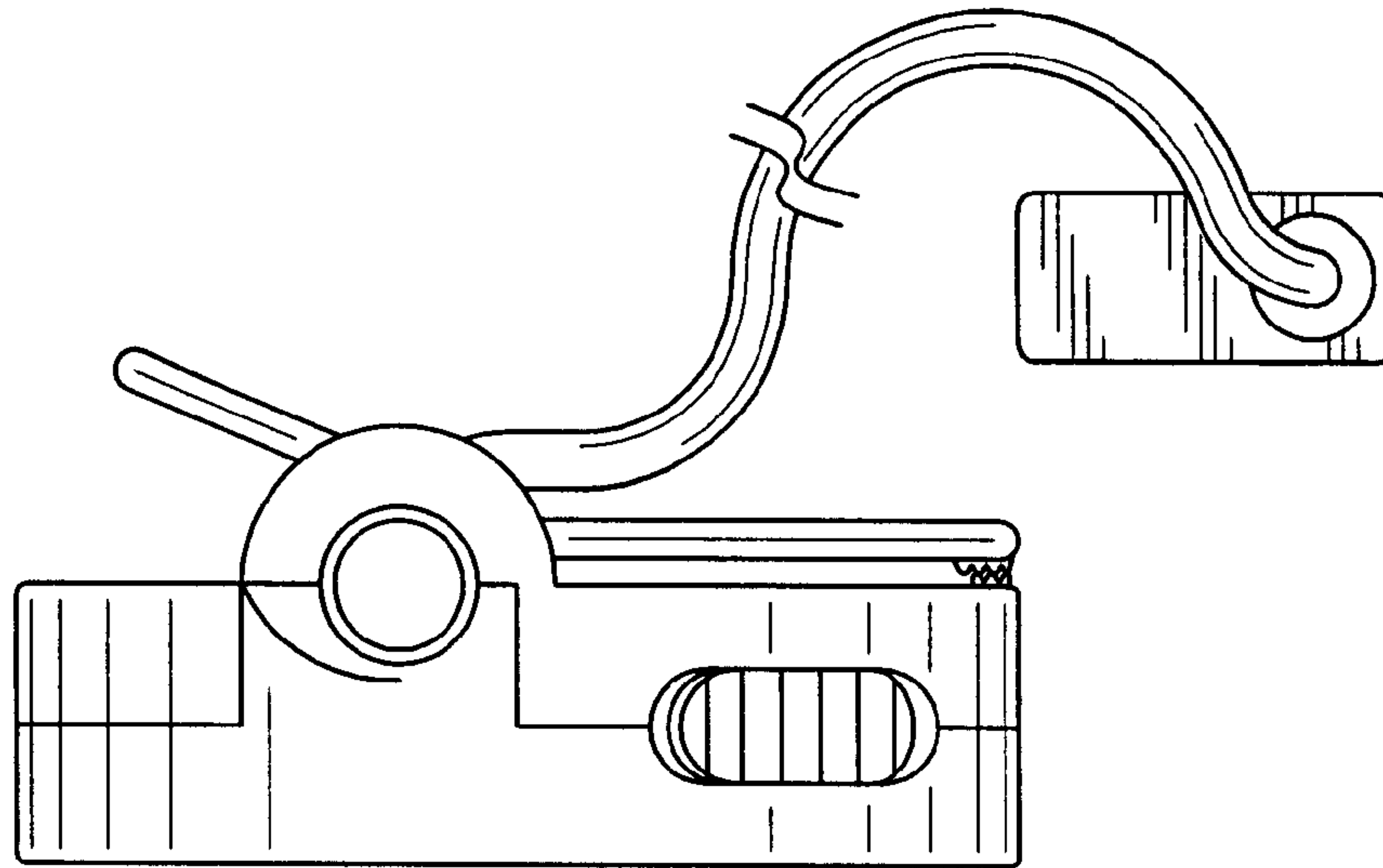


Fig. 7

