



US00D532774S

(12) **United States Design Patent**
Dawson

(10) **Patent No.:** **US D532,774 S**

(45) **Date of Patent:** **** Nov. 28, 2006**

(54) **AUDIO MIXER**

(75) Inventor: **John Caleb Dawson**, Birmingham, AL
(US)

(73) Assignee: **Peavey Electronics Corporation**,
Meridan, MS (US)

(**) Term: **14 Years**

(21) Appl. No.: **29/215,782**

(22) Filed: **Oct. 25, 2004**

(51) **LOC (8) Cl.** **14-01**

(52) **U.S. Cl.** **D14/217**

(58) **Field of Classification Search** D24/162,
D24/168, 188, 217; 379/202; 381/4, 103,
381/118–120; 84/625, 660, 697

See application file for complete search history.

(56) **References Cited**

U.S. PATENT DOCUMENTS

5,675,557	A	*	10/1997	Hubinger	381/119
D417,218	S	*	11/1999	Mackie et al.	D14/217
D435,380	S	*	12/2000	Smith et al.	D14/217
D471,173	S	*	3/2003	Takita et al.	D14/162
D488,798	S	*	4/2004	Ishii et al.	D14/168

* cited by examiner

Primary Examiner—Nanda Bondade

(74) *Attorney, Agent, or Firm*—Kaplan Gilman Gibson & Dernier LLP

(57) **CLAIM**

The ornamental design for an audio mixer, as shown and described.

DESCRIPTION

FIG. 1 is a perspective view of one embodiment of the audio mixer;

FIG. 2 is a front view of the audio mixer of FIG. 1;

FIG. 3 is a rear view of the audio mixer of FIG. 1;

FIG. 4 is a left side view of the audio mixer of FIG. 1, the right side being a mirror image;

FIG. 5 is a top view of the audio mixer of FIG. 1;

FIG. 6 is a bottom view of the audio mixer of FIG. 1;

FIG. 7 is a perspective view of a second embodiment of the audio mixer of FIG. 1;

FIG. 8 is a perspective view of a third embodiment of the audio mixer of FIG. 1; and,

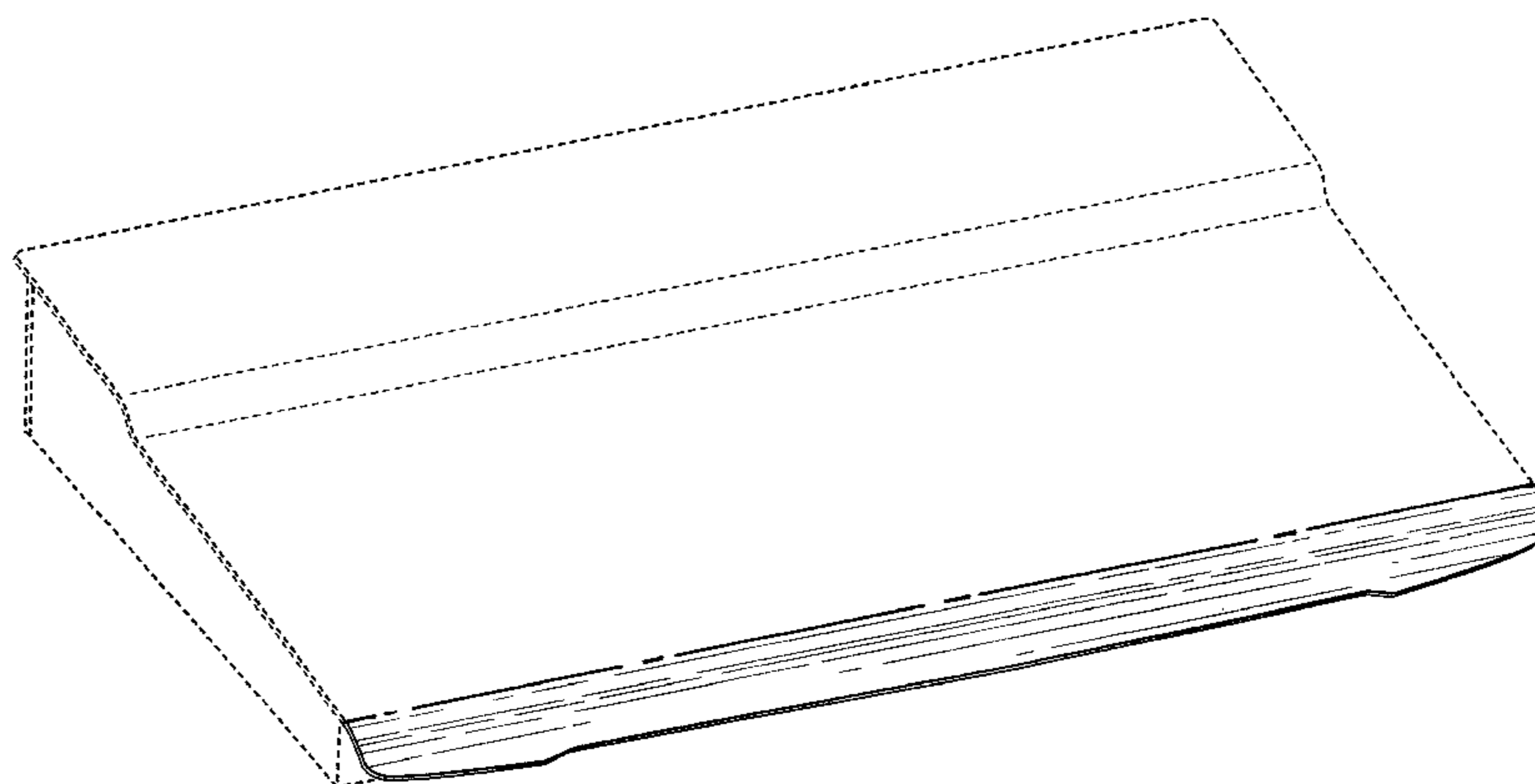
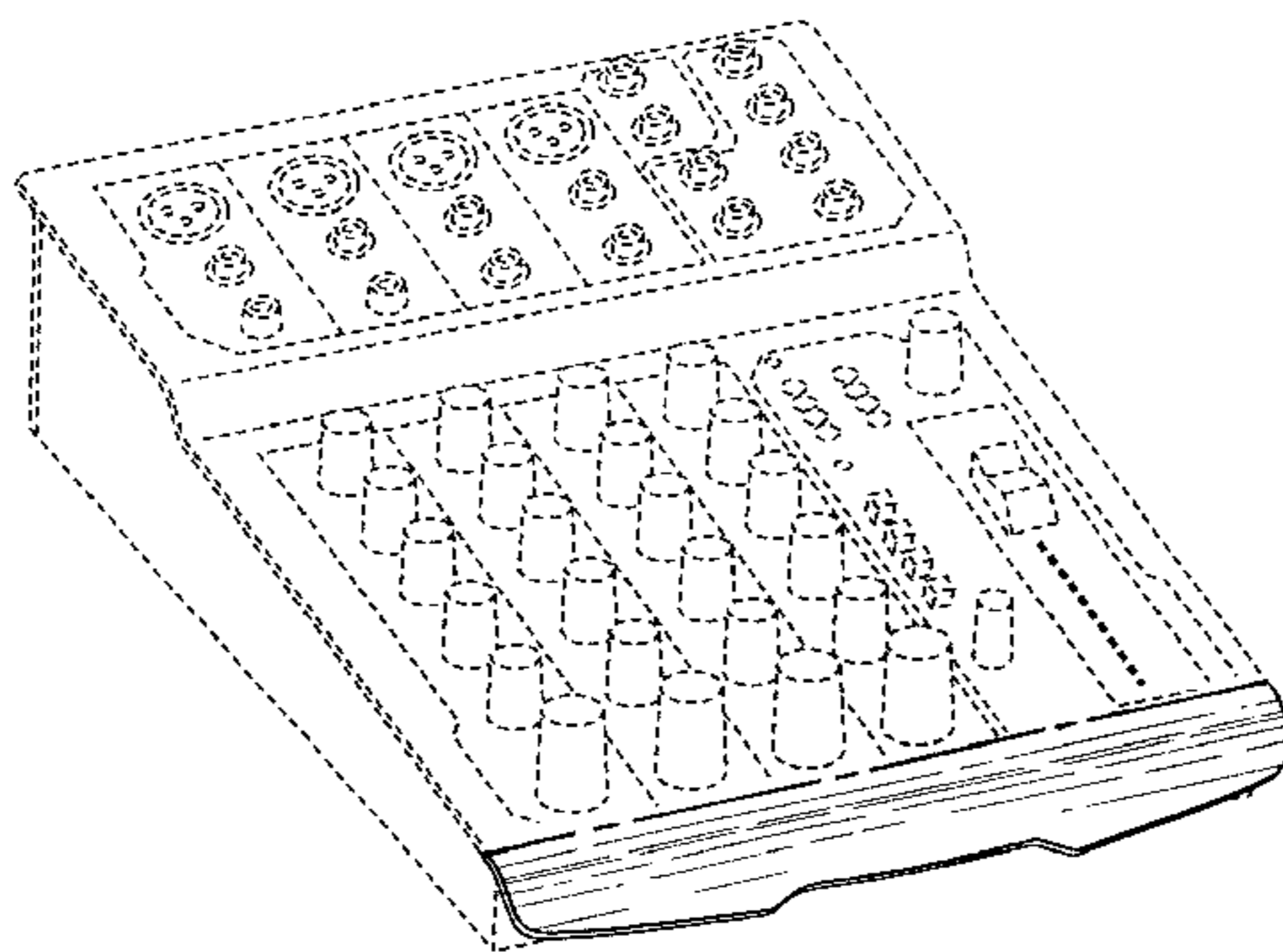
FIG. 9 is a perspective view of a fourth embodiment of the audio mixer of FIG. 1.

The remaining views of embodiments 2–4 (FIGS. 7–9) are identical to FIGS. 2–6 but for variations in width.

The broken lines of the drawing are for illustrative purposes only and form no part of the claimed design.

The dash dot line which define the bounds of the claimed design form no part thereof.

1 Claim, 7 Drawing Sheets



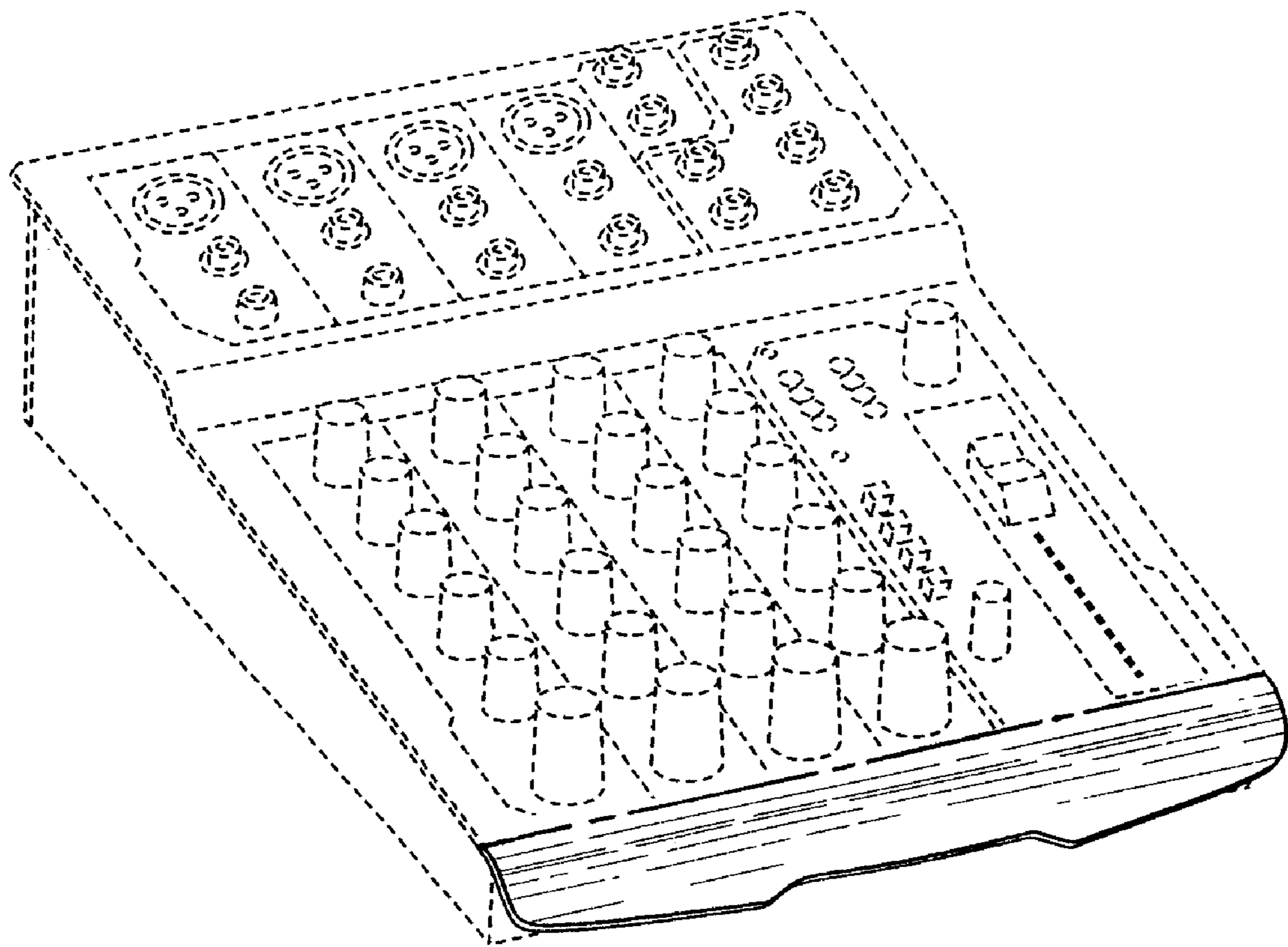


FIG. 1

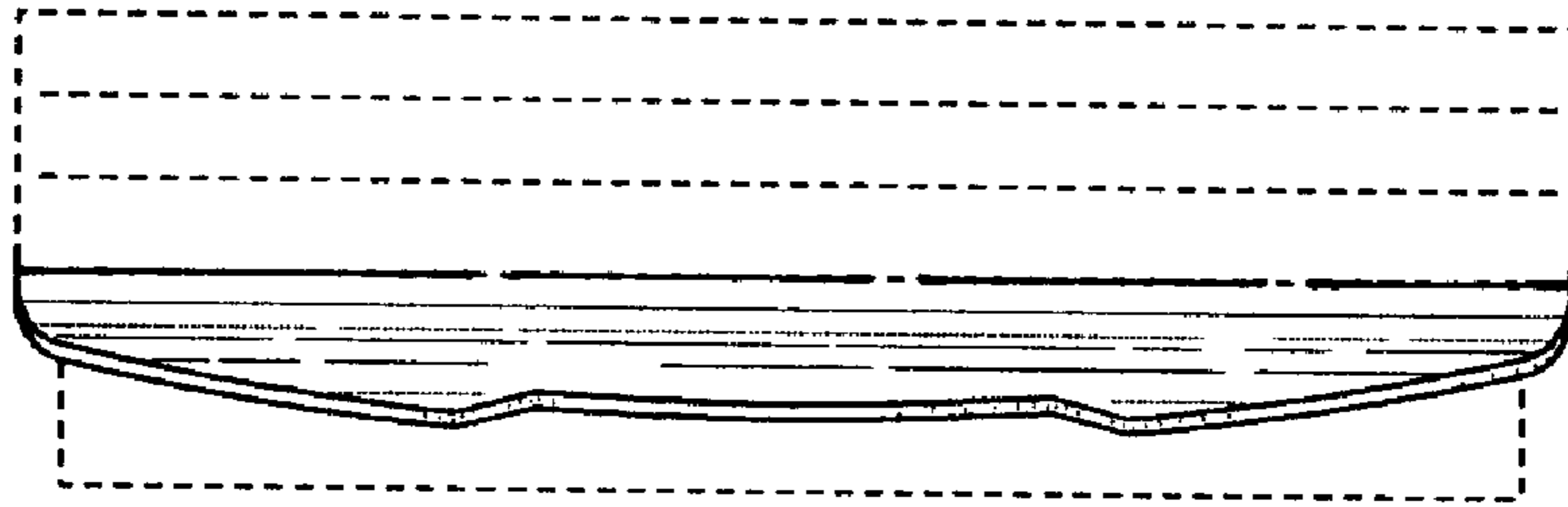


FIG. 2

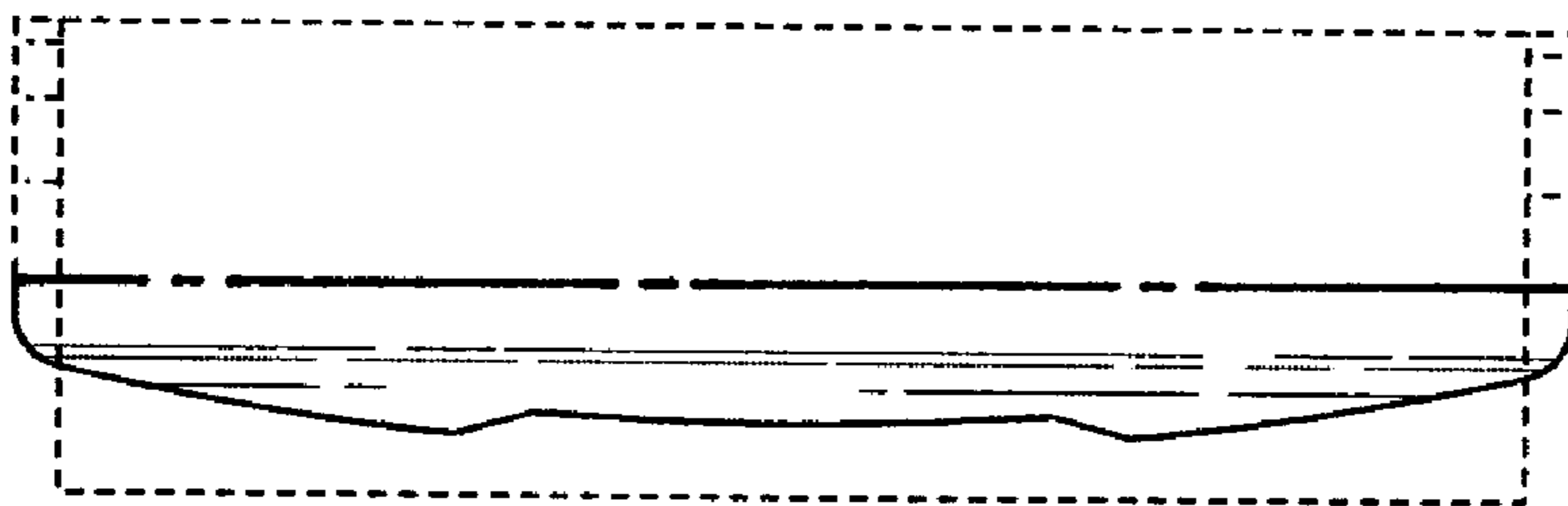


FIG. 3

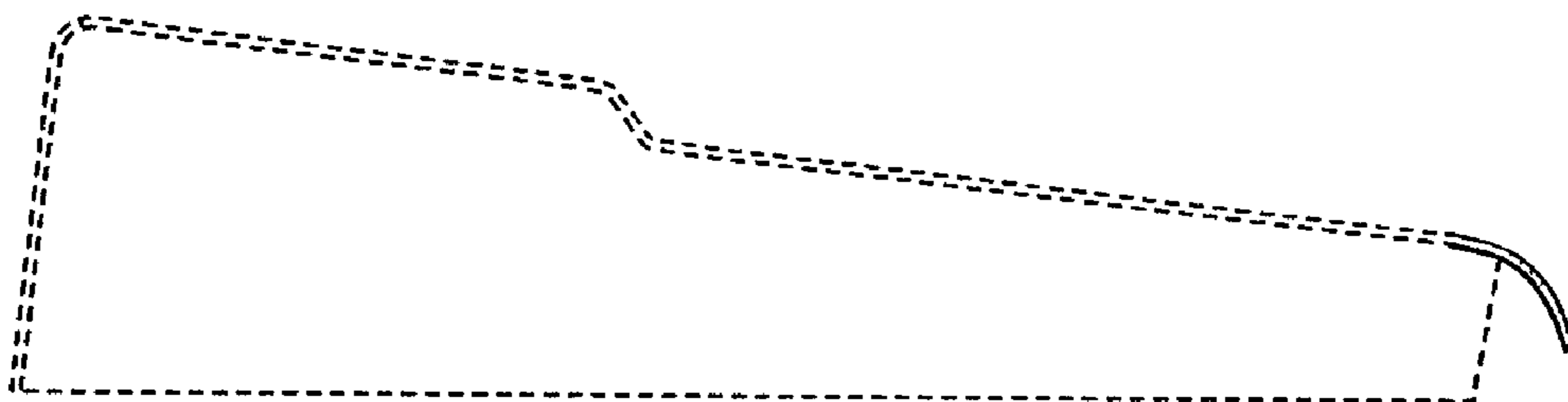


FIG. 4

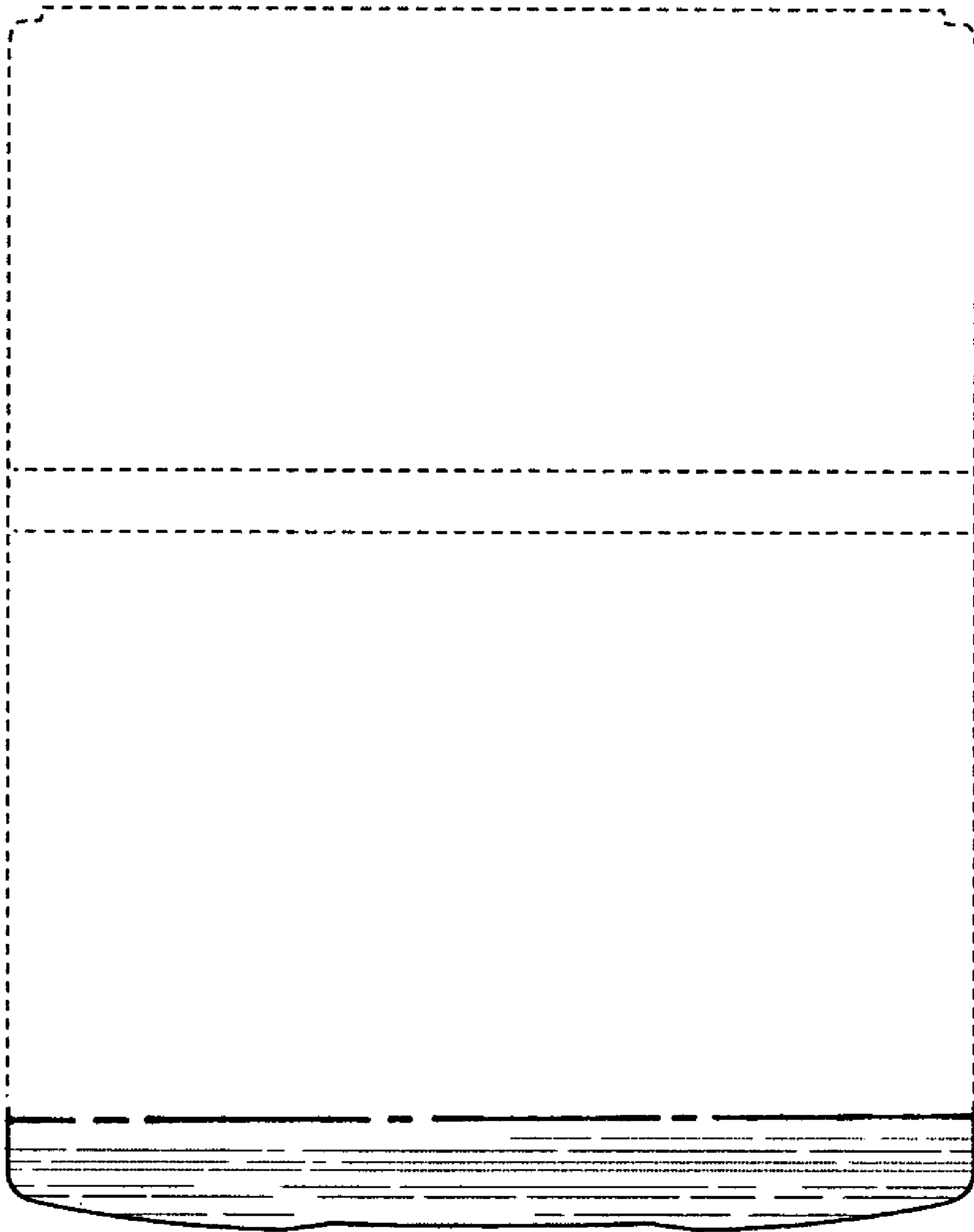


FIG. 5

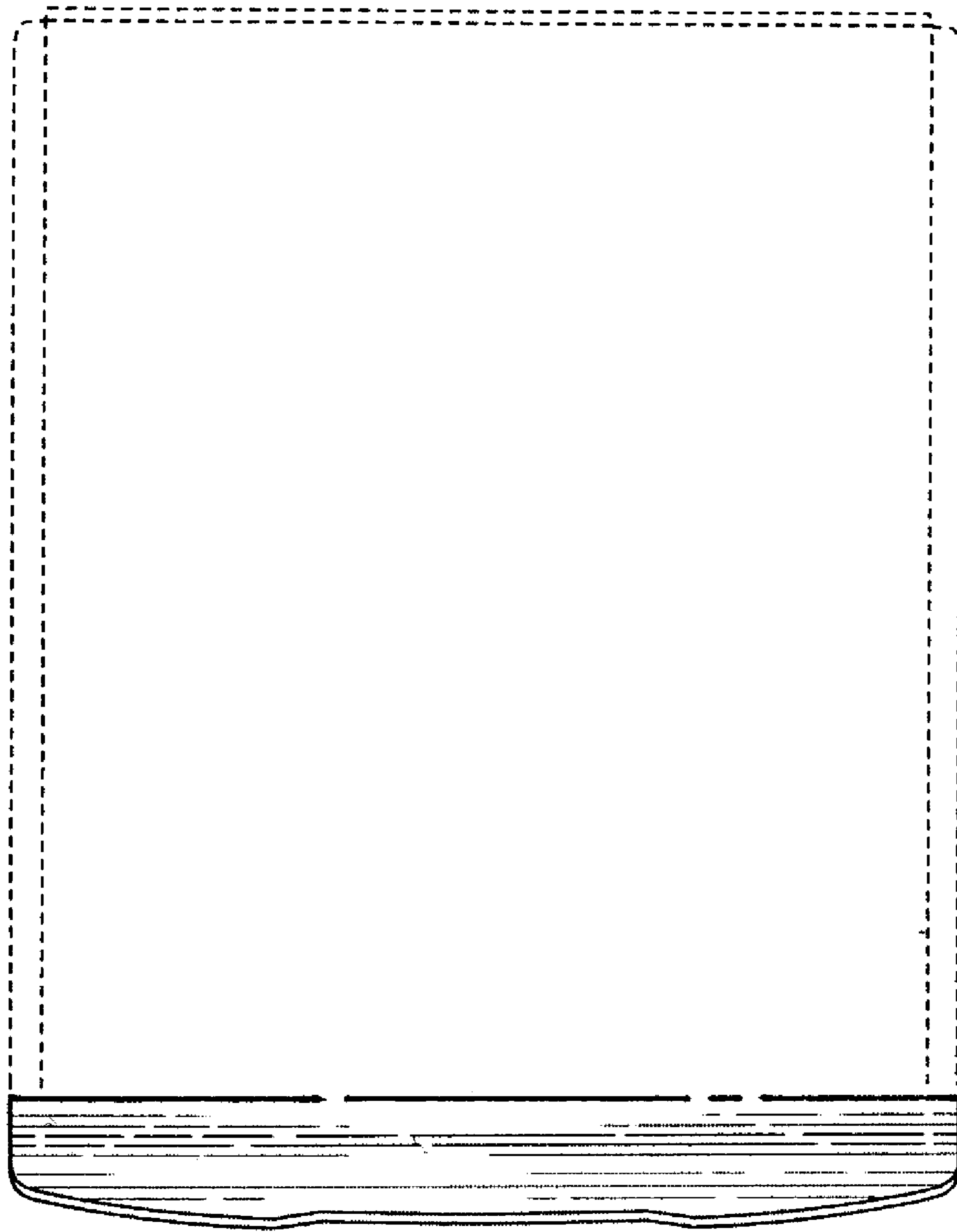


FIG. 6

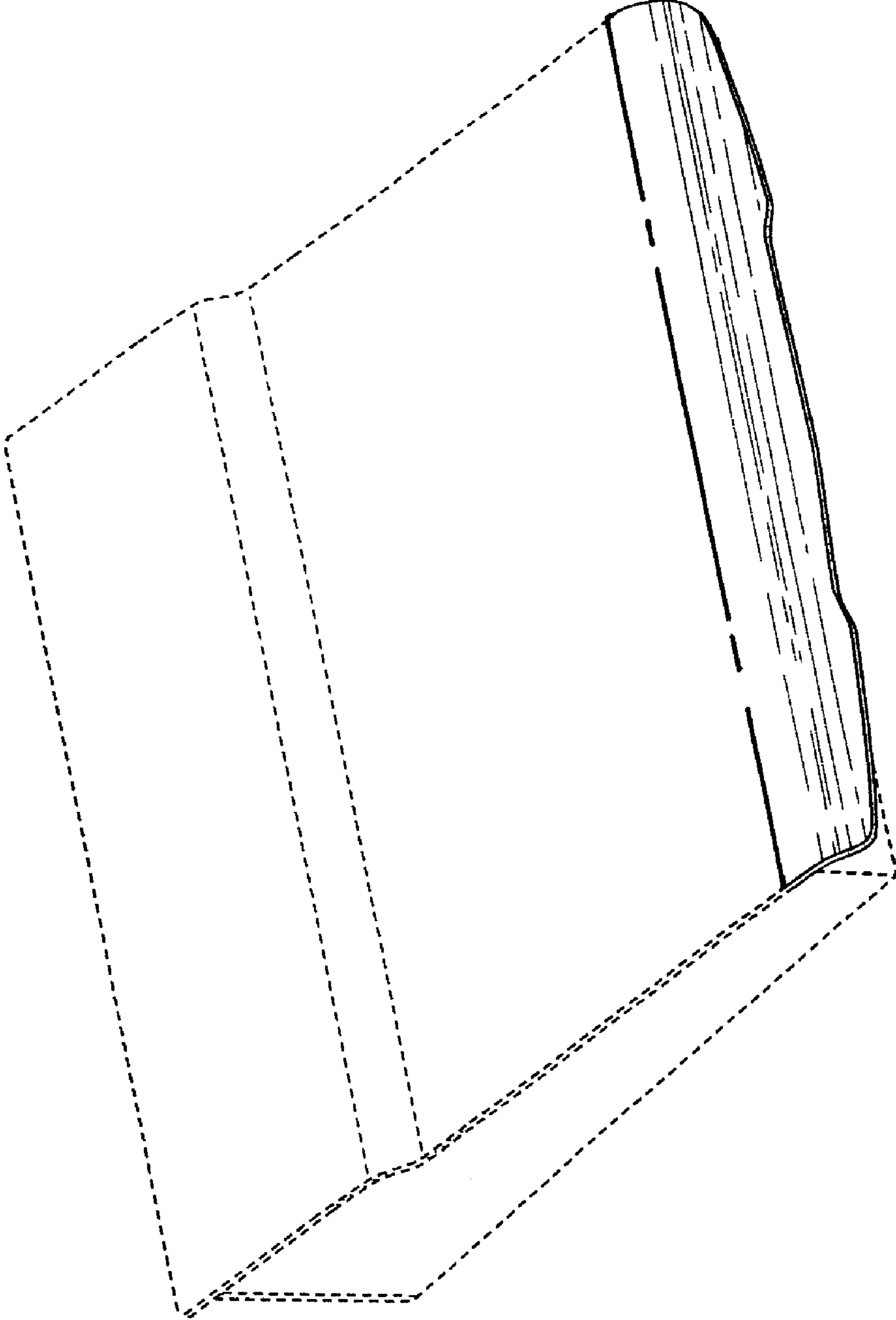


FIG. 7

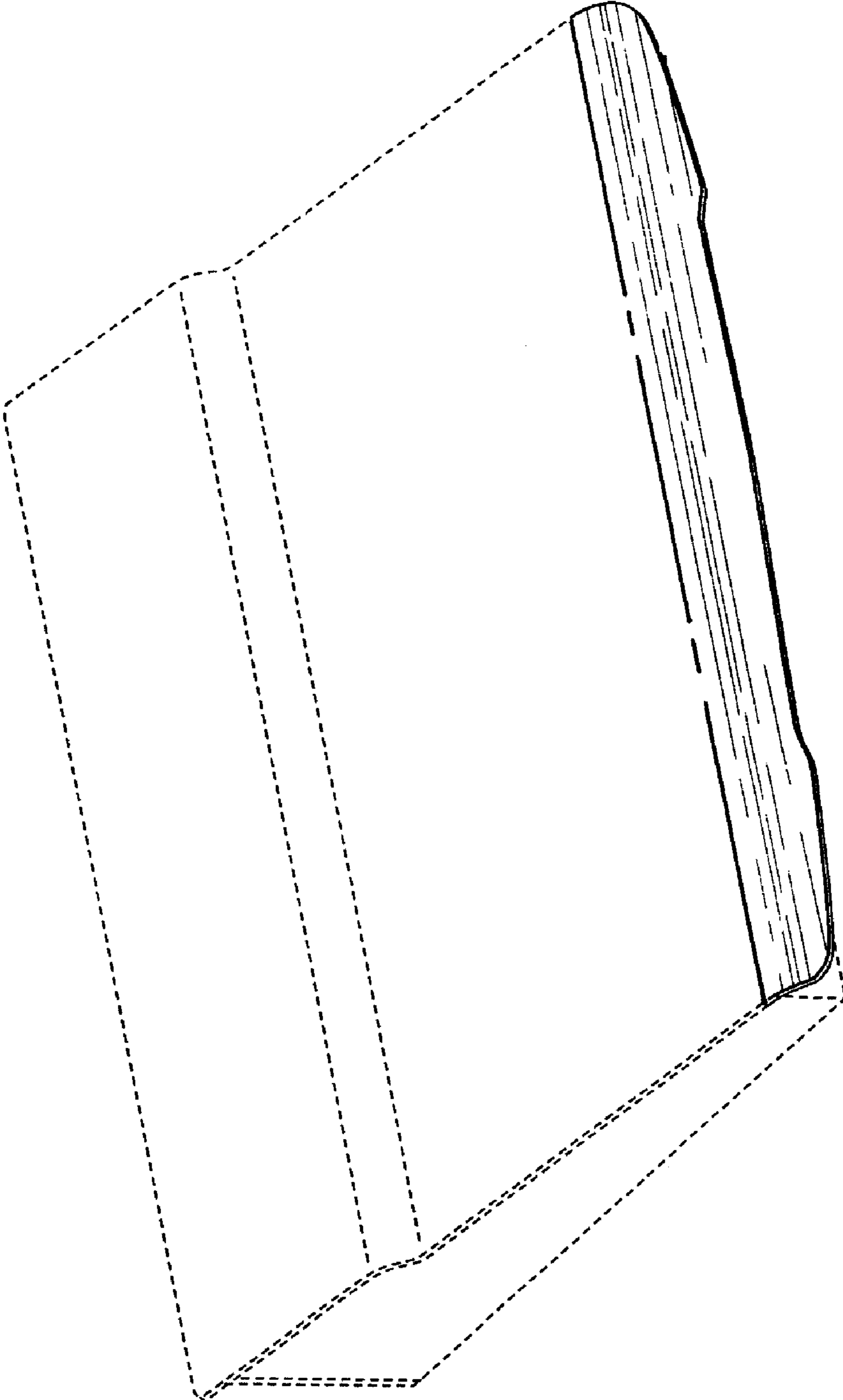


FIG. 8

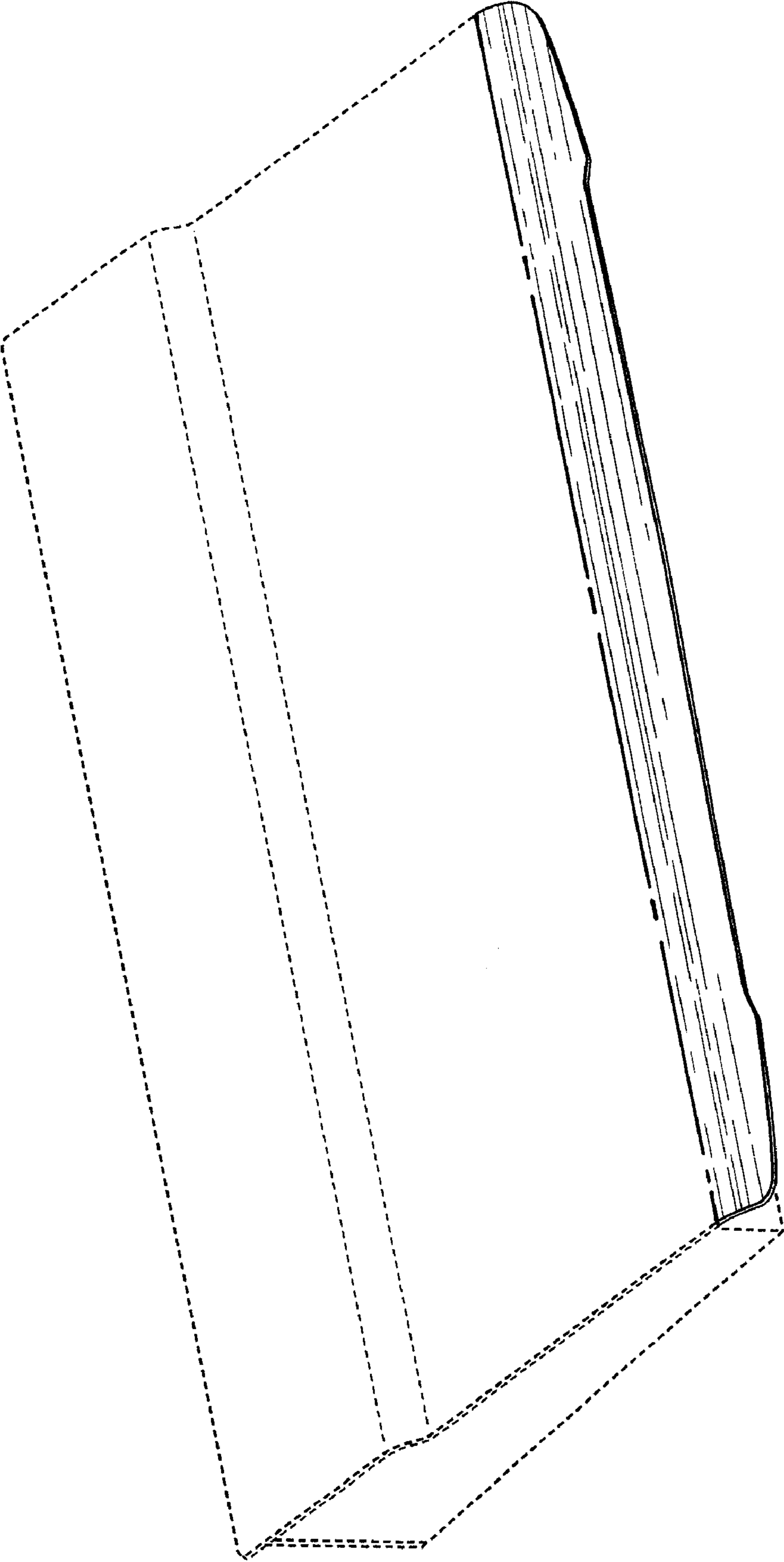


FIG. 9