



US00D532773S

(12) **United States Design Patent**
Langberg et al.

(10) **Patent No.:** **US D532,773 S**

(45) **Date of Patent:** **** Nov. 28, 2006**

(54) **COMPACT PORTABLE MEDIA
REPRODUCTION DEVICE**

(75) Inventors: **Eric Aaron Langberg**, Milford, PA
(US); **Eran Schul**, Milford, PA (US);
Richard Messerle, Port Jervis, NY
(US)

(73) Assignee: **Altec Lansing Technologies, Inc.**,
Milford, PA (US)

(**) Term: **14 Years**

(21) Appl. No.: **29/224,290**

(22) Filed: **Mar. 1, 2005**

(51) **LOC (8) Cl.** **14-01**

(52) **U.S. Cl.** **D14/214; D14/168**

(58) **Field of Classification Search** D14/204,
D14/207, 209–216, 356, 193–198; 181/143–144,
181/147–148, 150, 157, 198–199, 151, 153;
381/300–302, 306, 333, 345, 361–364, 386–388,
381/332, 336

See application file for complete search history.

(56) **References Cited**

U.S. PATENT DOCUMENTS

D365,823 S * 1/1996 Borgonovo D14/168

D419,555 S * 1/2000 Renk D14/168
D473,856 S * 4/2003 Bhavnani D14/197
D483,349 S * 12/2003 Murakami D14/215
D491,167 S * 6/2004 Yokoyama D14/216

* cited by examiner

Primary Examiner—Nanda Bondade

(74) *Attorney, Agent, or Firm*—Adam B. Landa; Richard F.
Kurtz; Greenburg Traurig

(57) **CLAIM**

The ornamental design for a compact portable media repro-
duction device, as shown and described.

DESCRIPTION

FIG. 1 is a front perspective view of a compact portable
media reproduction device showing our new design;

FIG. 2 is a front elevational view thereof;

FIG. 3 is a rear elevational view thereof;

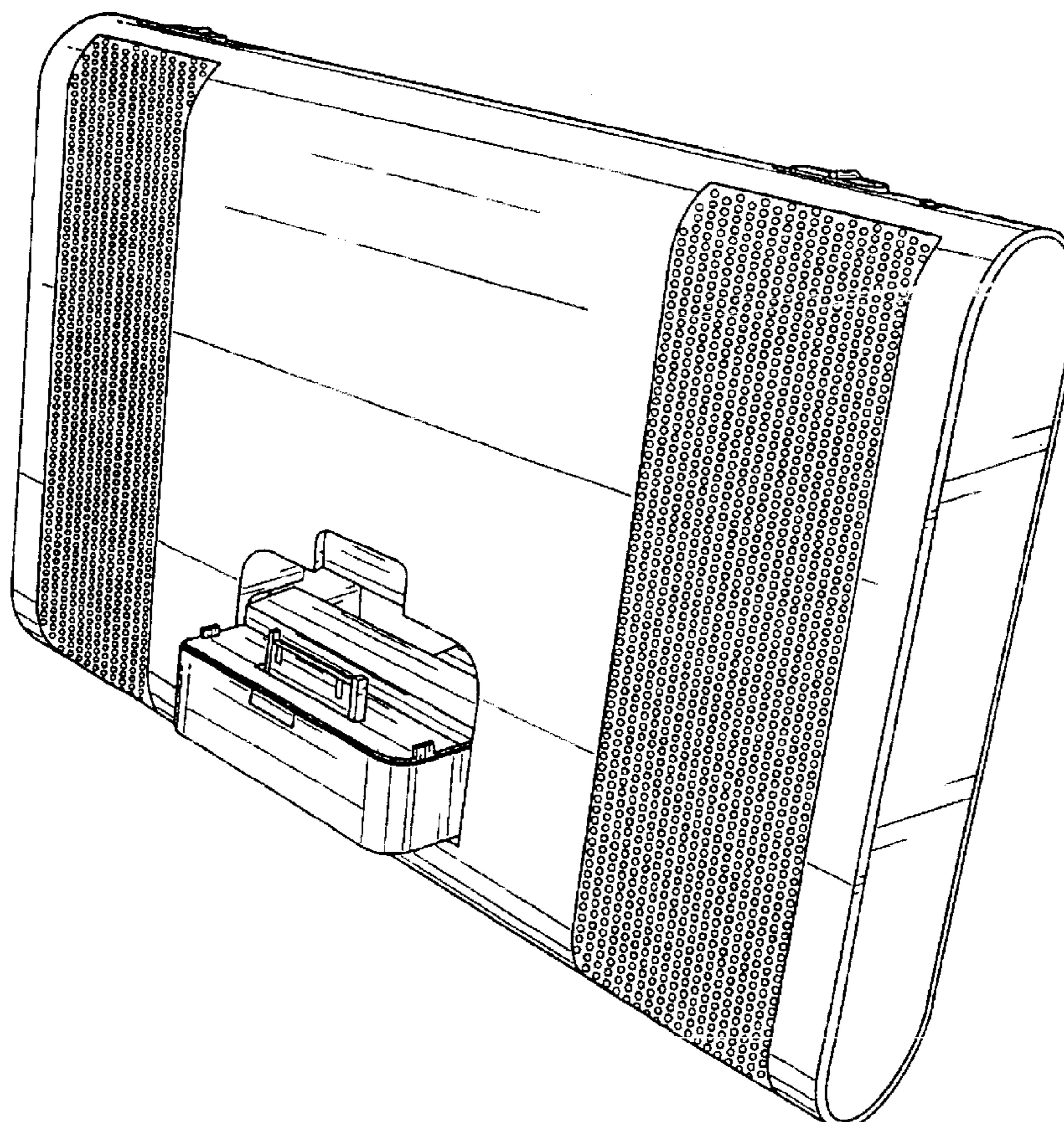
FIG. 4 is a left side elevational view thereof;

FIG. 5 is a right side elevational view thereof;

FIG. 6 is a top plan view thereof; and,

FIG. 7 is a bottom plan view thereof.

1 Claim, 6 Drawing Sheets



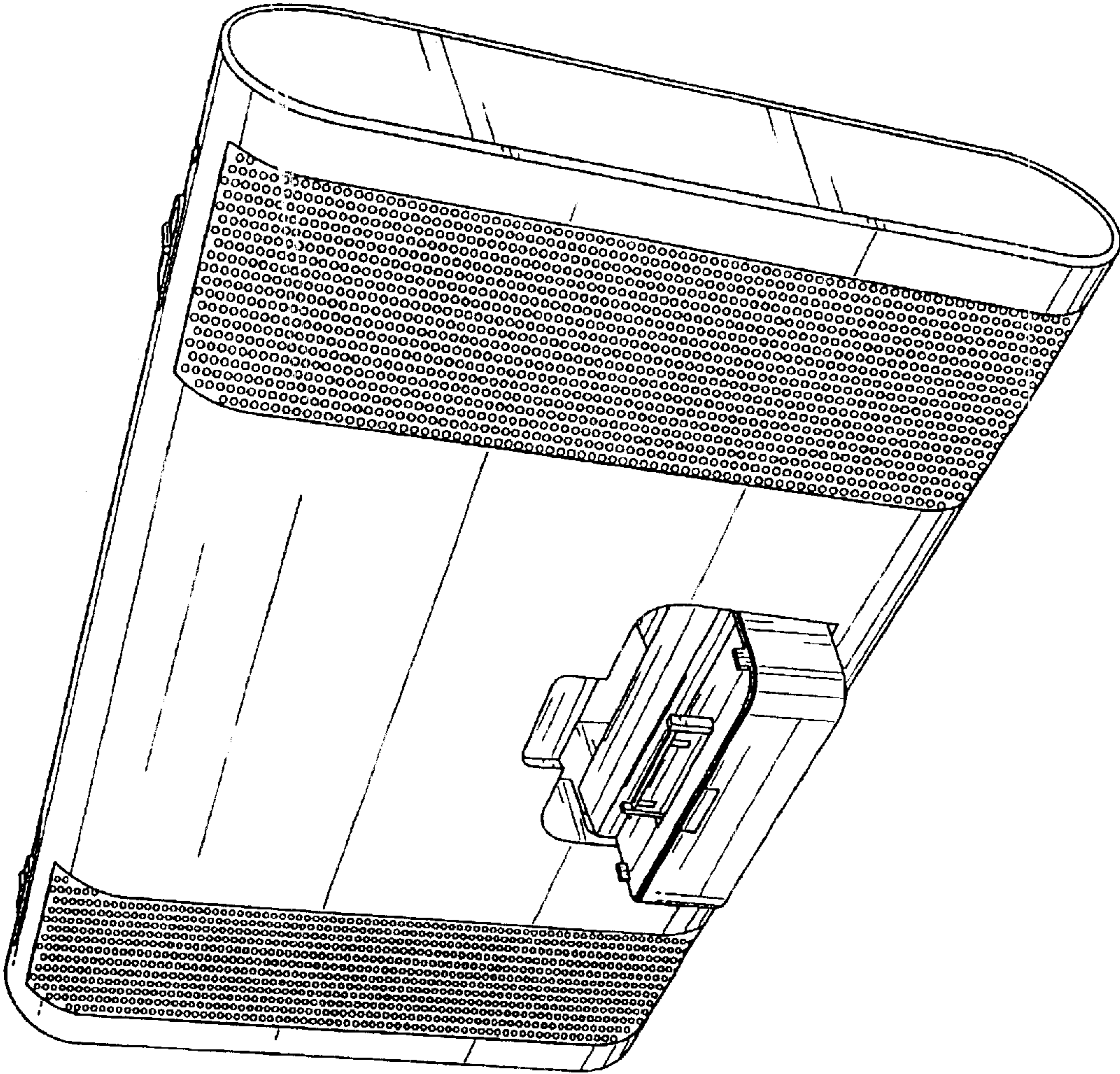


FIG. 1

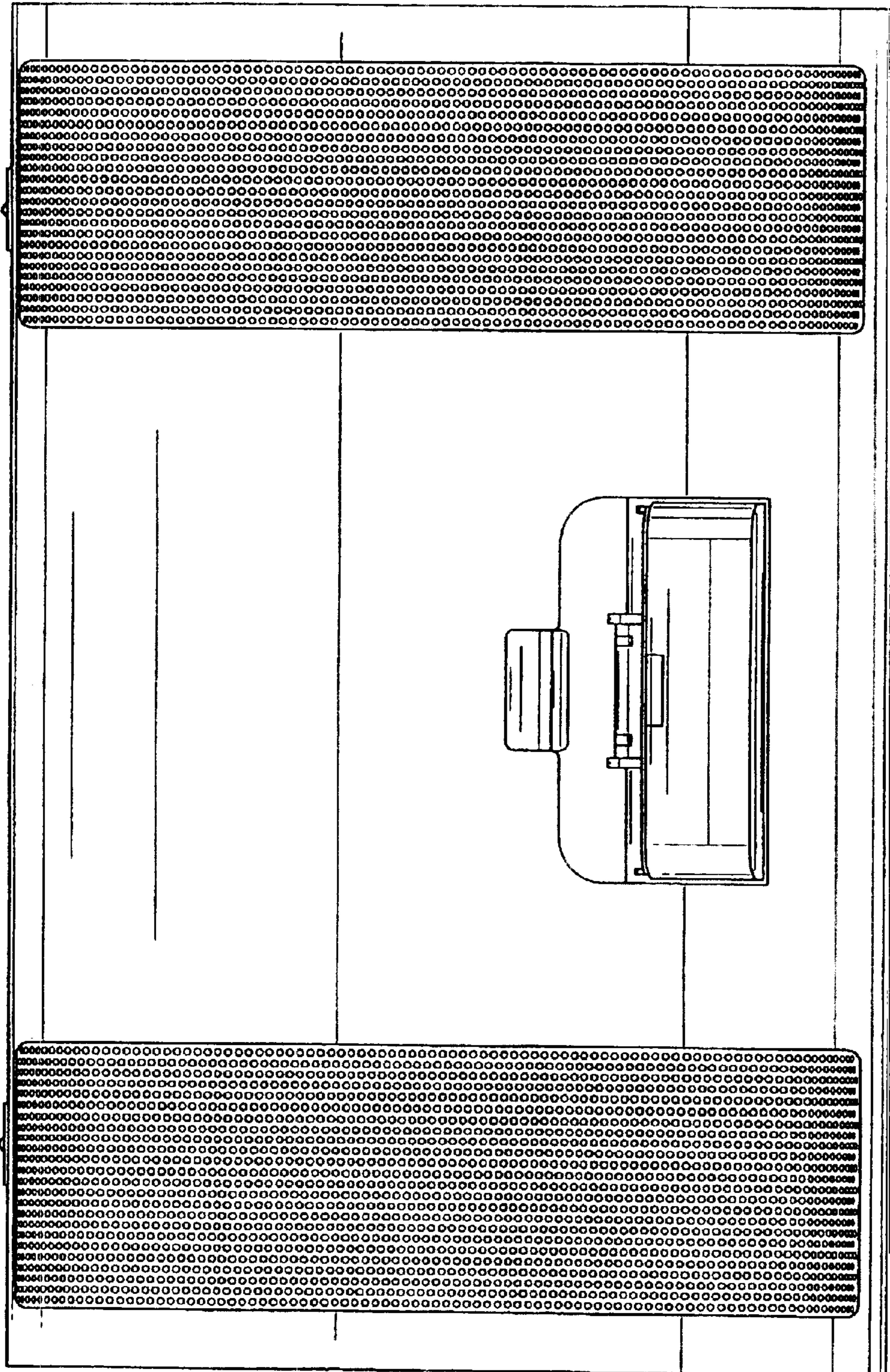


FIG. 2

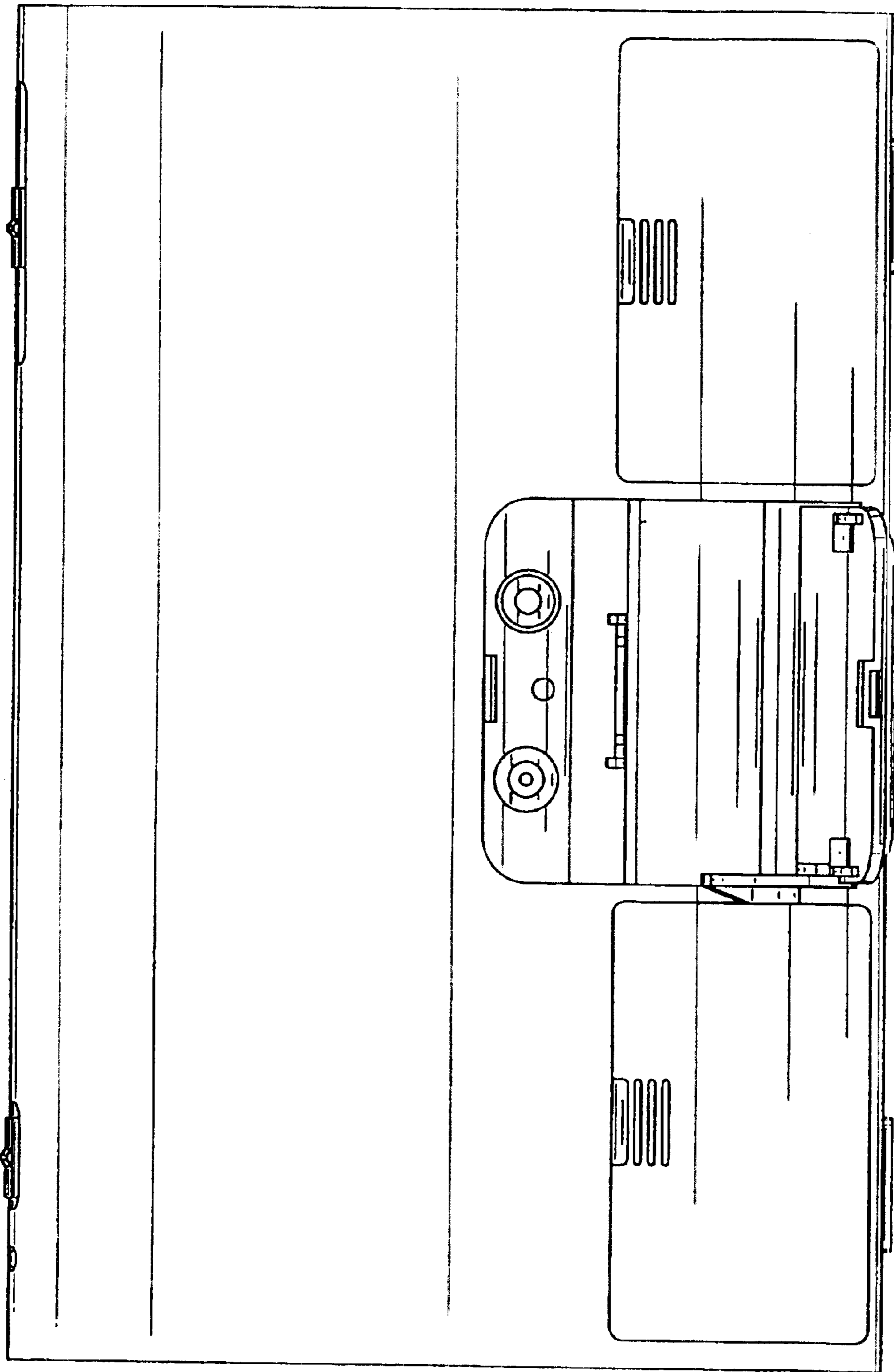


FIG. 3

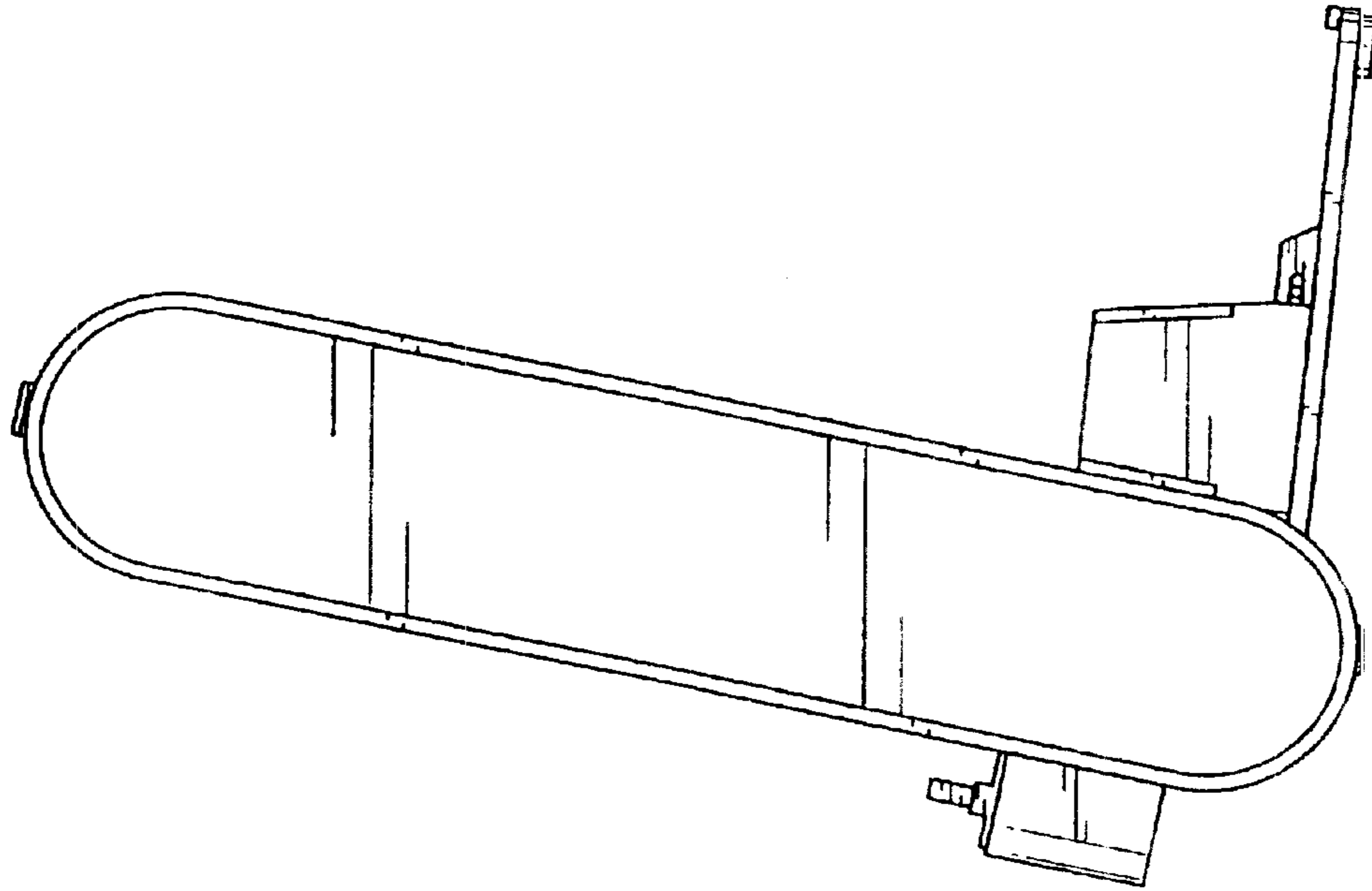


FIG. 5

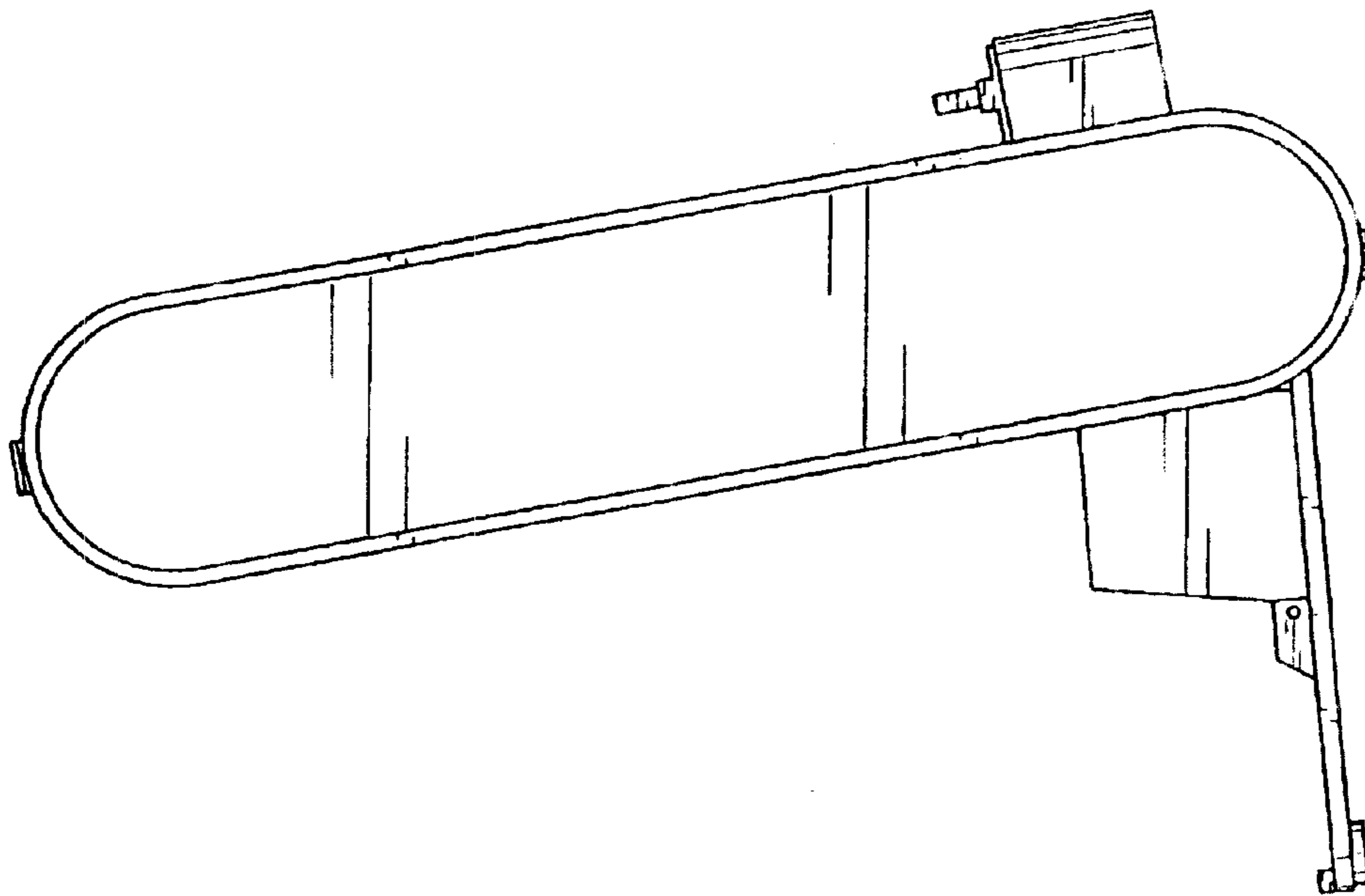


FIG. 4

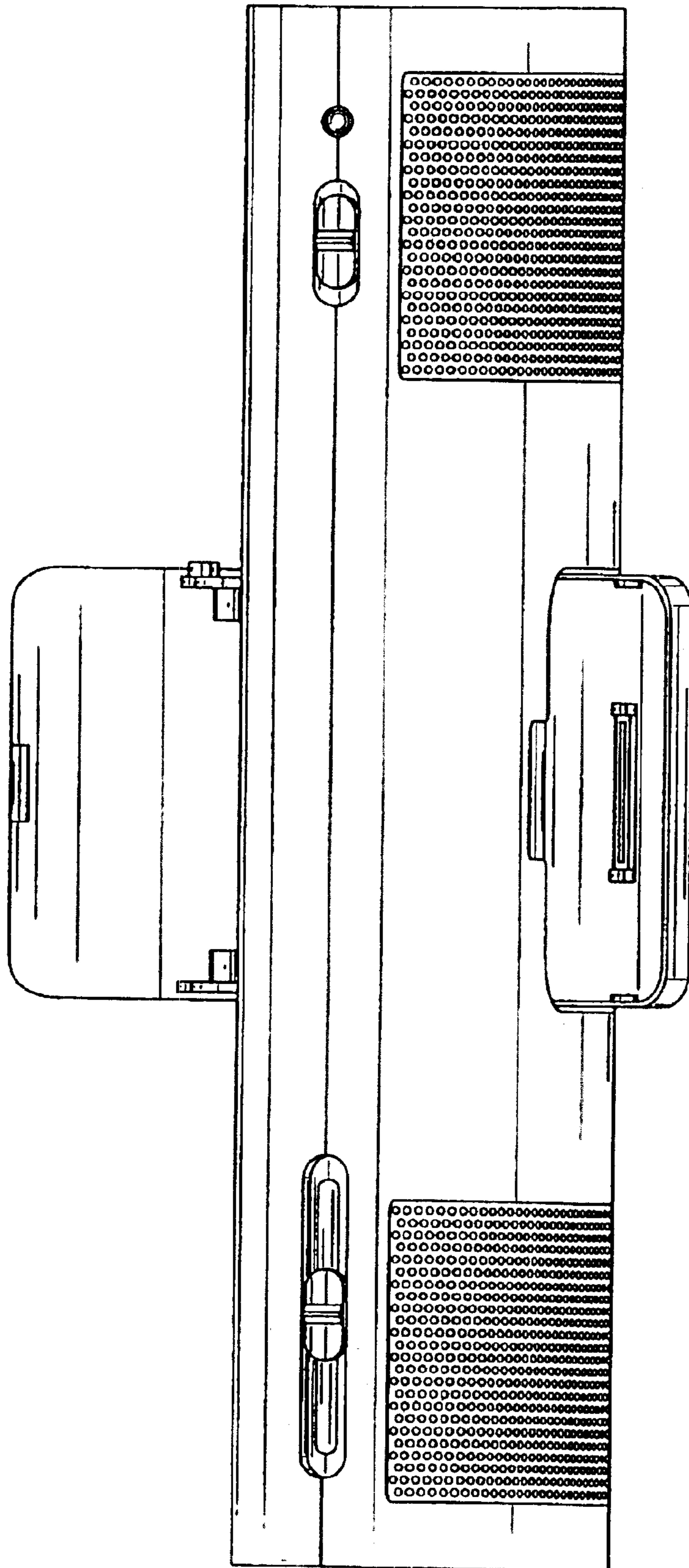


FIG. 6

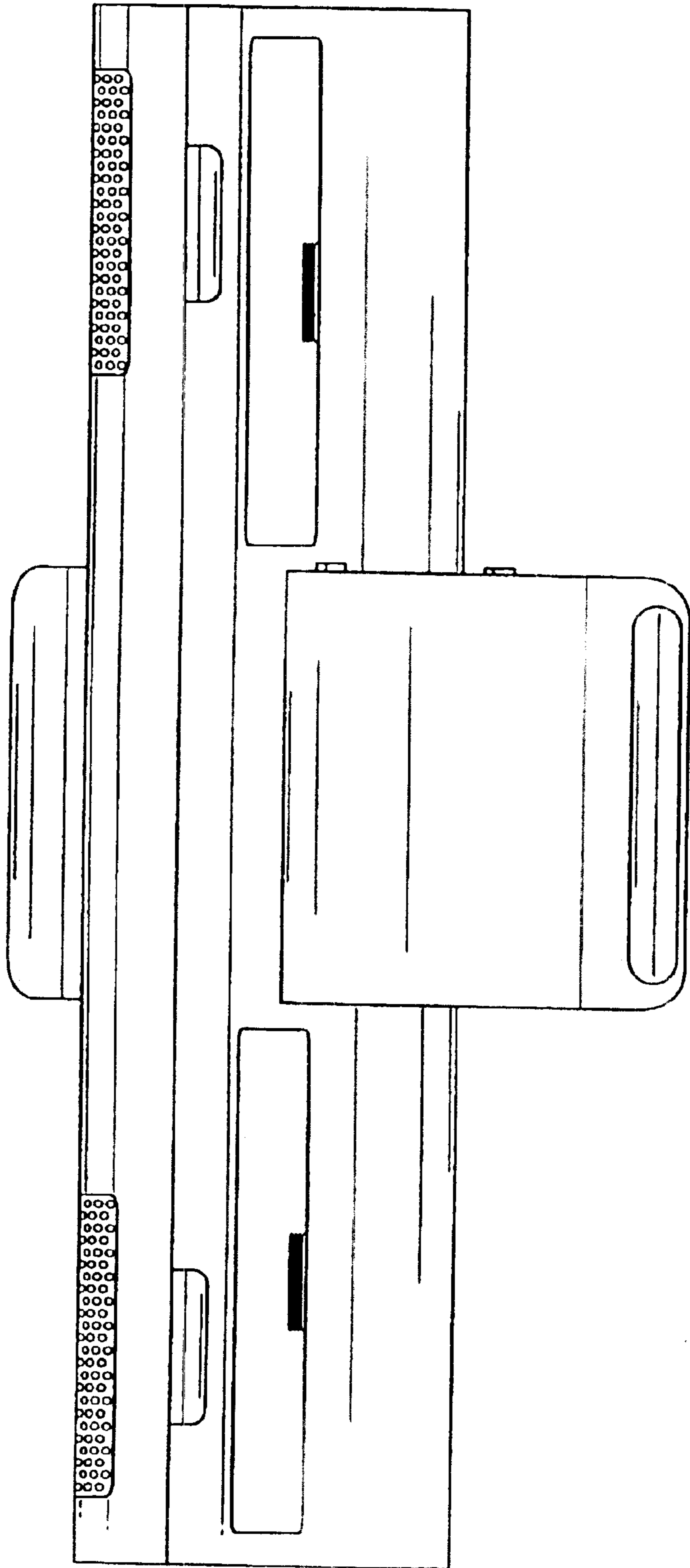


FIG. 7