

US00D532770S

(12) **United States Design Patent**
Engstrom et al.

(10) **Patent No.:** **US D532,770 S**

(45) **Date of Patent:** **** Nov. 28, 2006**

(54) **PAIR OF EARPHONES**

(75) Inventors: **Matthew Engstrom**, Evanston, IL (US); **Scott Belliveau**, Plainfield, IL (US); **Anne Moser**, Chicago, IL (US); **Daniel Perez**, Chicago, IL (US)

(73) Assignee: **Shure Acquisiton Holdings, Inc.**, Niles, IL (US)

(**) Term: **14 Years**

(21) Appl. No.: **29/243,795**

(22) Filed: **Nov. 30, 2005**

(51) **LOC (8) Cl.** **14-01**

(52) **U.S. Cl.** **D14/205**

(58) **Field of Classification Search** D14/142, D14/205, 206, 223; 379/420.04, 420.02, 379/430; 2/209; D29/112; 439/502, 582; 381/324, 328; 181/129, 149; D24/174; 128/866
See application file for complete search history.

(56) **References Cited**

U.S. PATENT DOCUMENTS

2,325,590	A	*	7/1943	Carlisle et al.	381/328
D141,071	S	*	5/1945	Hechler	D24/174
2,787,670	A	*	4/1957	Rowland	381/324
D213,448	S	*	3/1969	Giller	D24/174
D266,590	S	*	10/1982	Bennett	D24/174
5,298,692	A	*	3/1994	Ikeda et al.	181/135

D468,300	S	*	1/2003	Boesen	D14/223
D494,956	S	*	8/2004	Sabick et al.	D14/205
D519,103	S	*	4/2006	Sabick et al.	D14/205

* cited by examiner

Primary Examiner—Paula A. Greene

(74) *Attorney, Agent, or Firm*—Banner & Witcoff, Ltd.

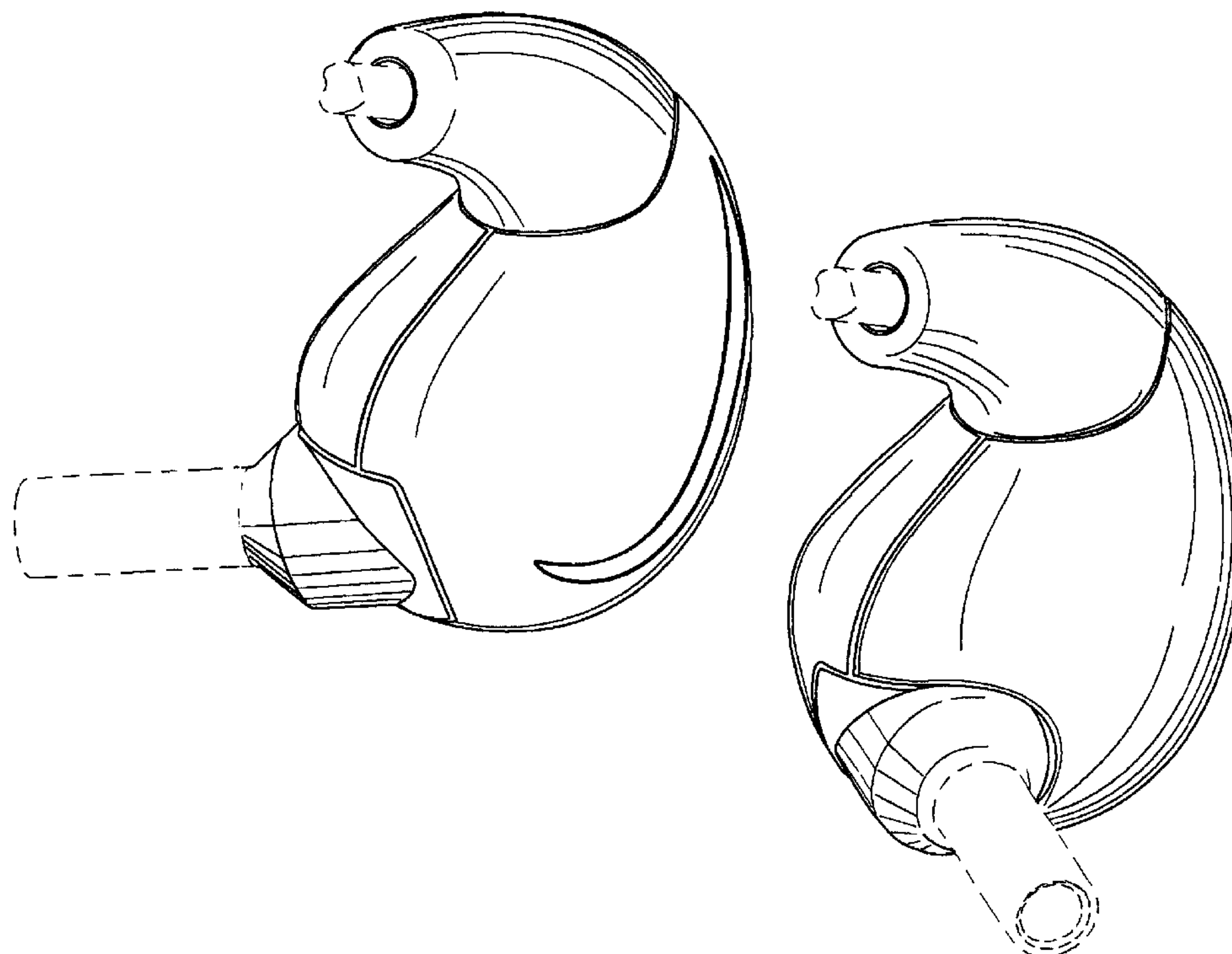
(57) **CLAIM**

An ornamental design for an pair of earphones, as shown and described.

DESCRIPTION

FIG. 1 is an isometric view of the pair of earphones design having mirror image right and left earphone earpieces; FIG. 2 is a left side view of the left earphone earpiece; the right earphone earpiece is a mirror image of the left earpiece; FIG. 3 is a front view of the left earphone earpiece; the right earphone earpiece is a mirror image of the left earpiece; FIG. 4 is a rear side view of the left earphone earpiece; the right earphone earpiece is a mirror image of the left earpiece; FIG. 5 is a right side view of the left earphone earpiece; the right earphone earpiece is a mirror image of the left earpiece; FIG. 6 is a top view of the left earphone earpiece; the right earphone earpiece is a mirror image of the left earpiece; and, FIG. 7 is a bottom view of the left earphone earpiece; the right earphone earpiece is a mirror image of the left earpiece. The broken lines in FIGS. 1 through 7 are for illustrative purposes only and form no part of the claimed design.

1 Claim, 3 Drawing Sheets



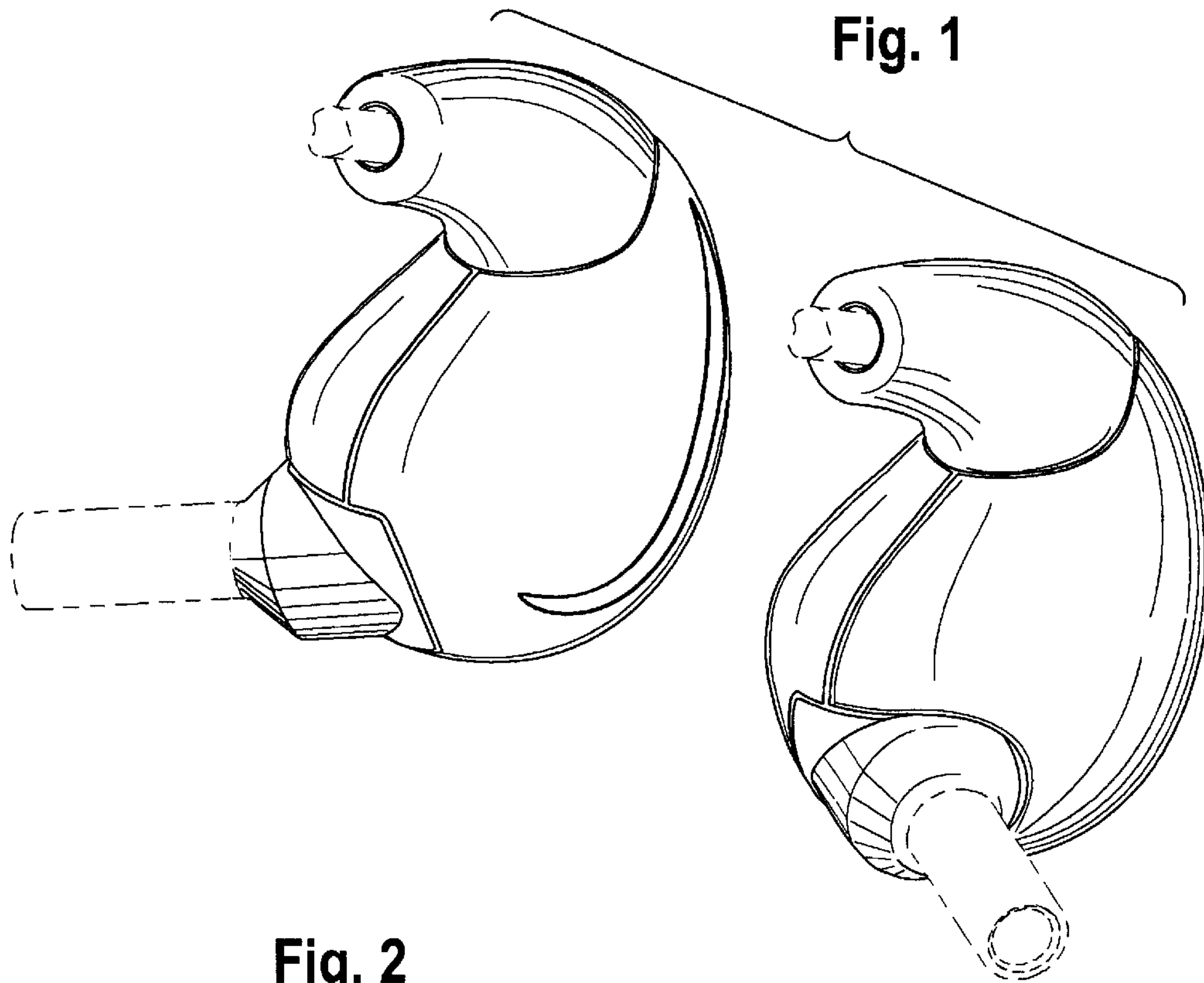


Fig. 2

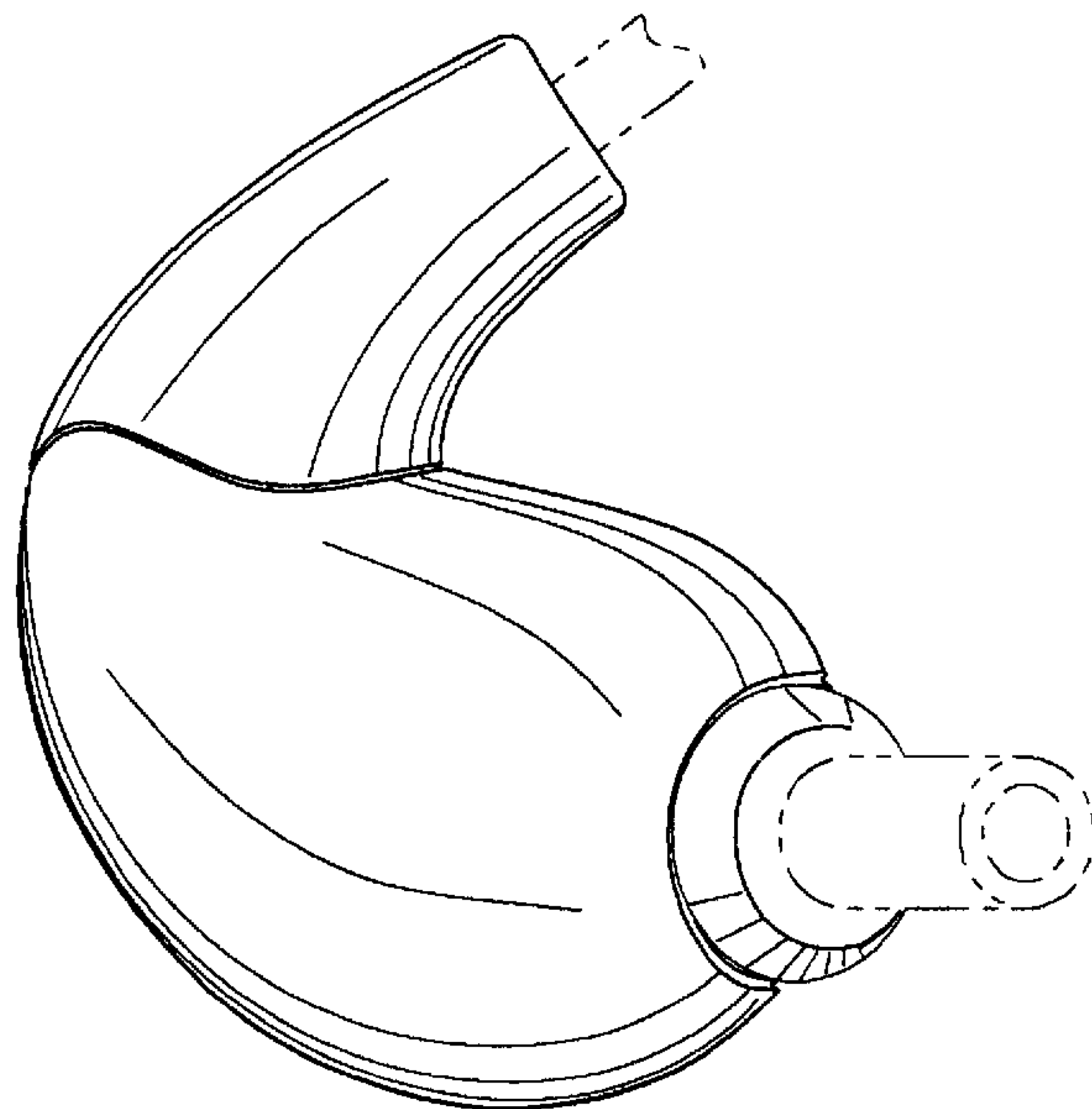


Fig. 3

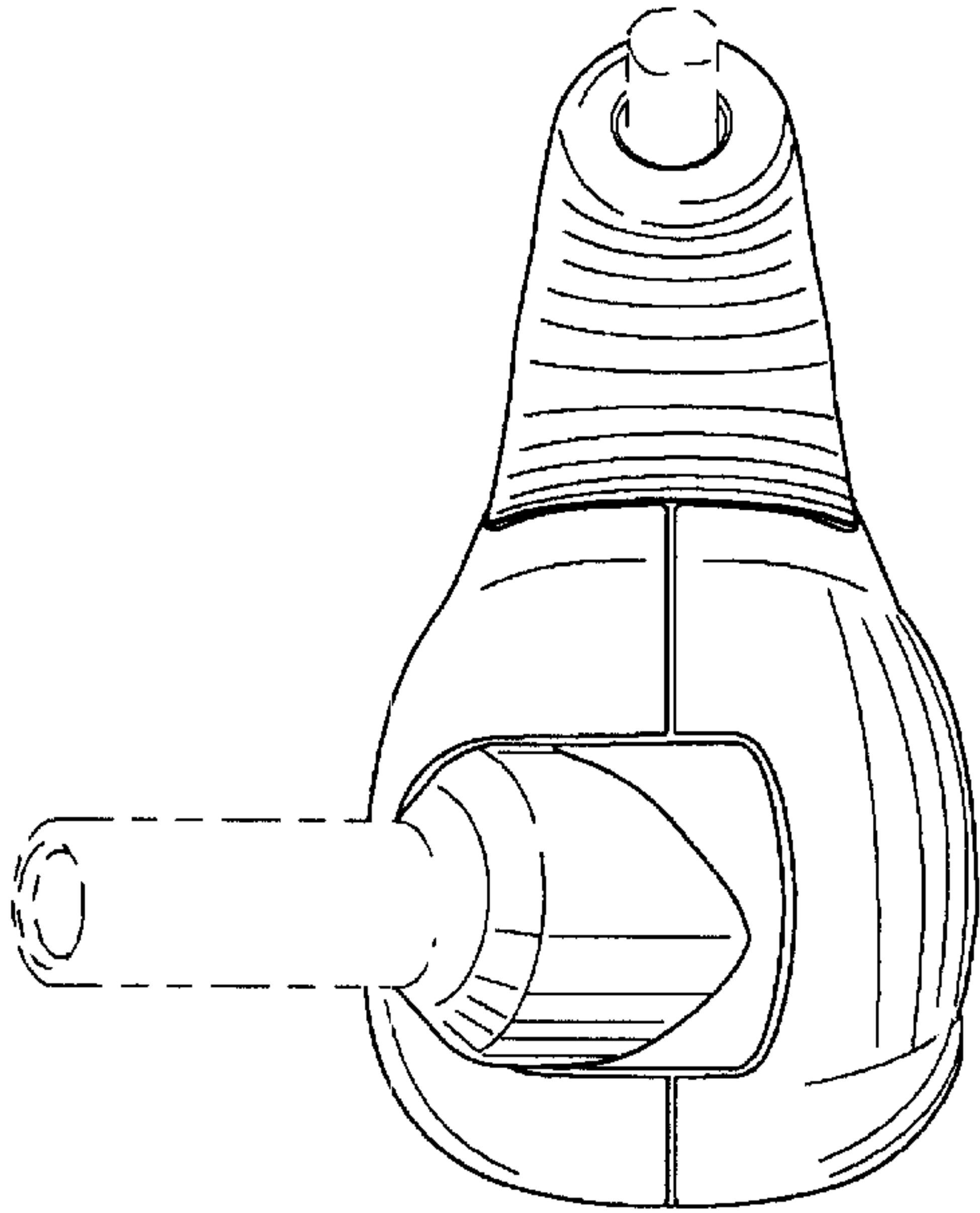


Fig. 4

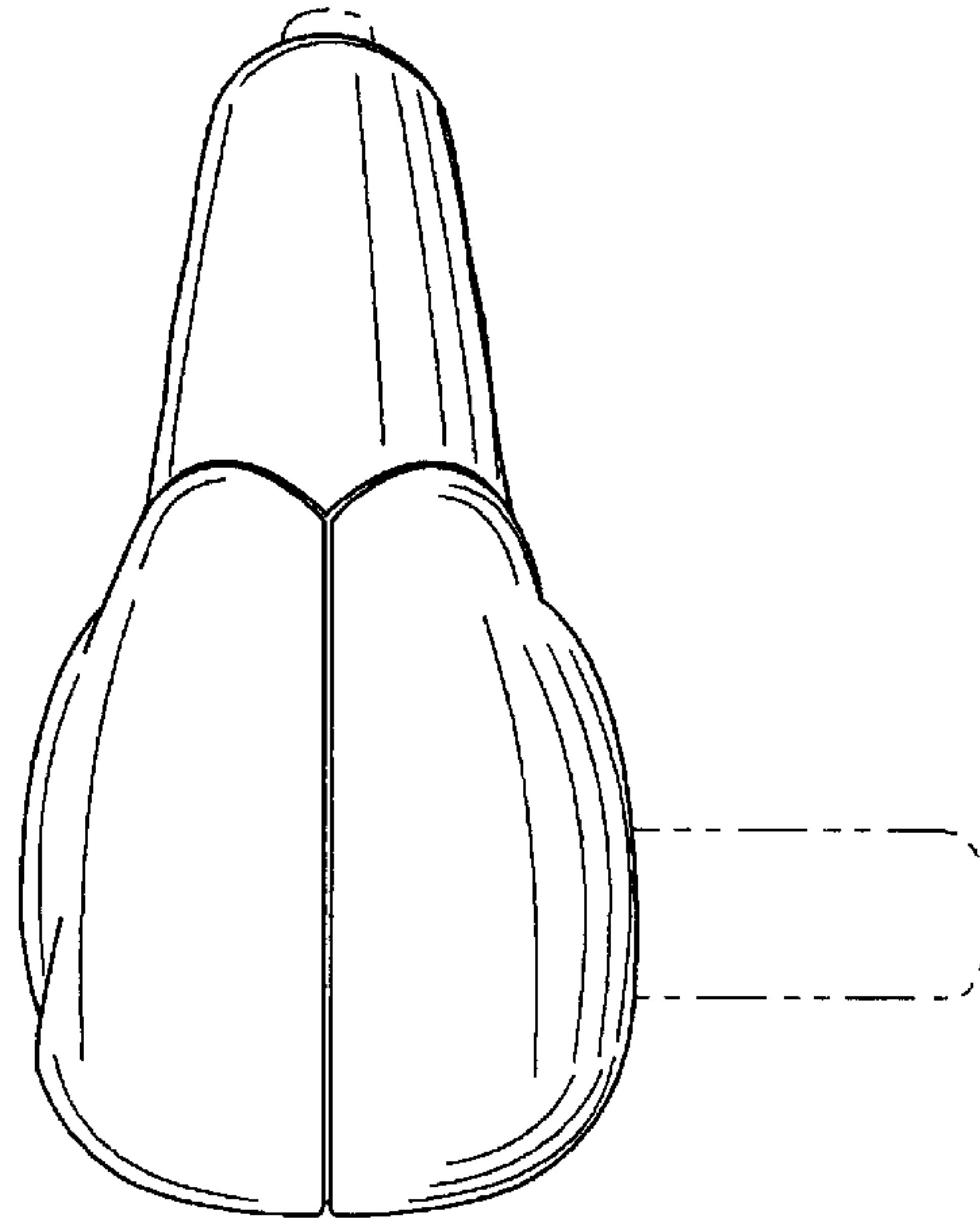


Fig. 5

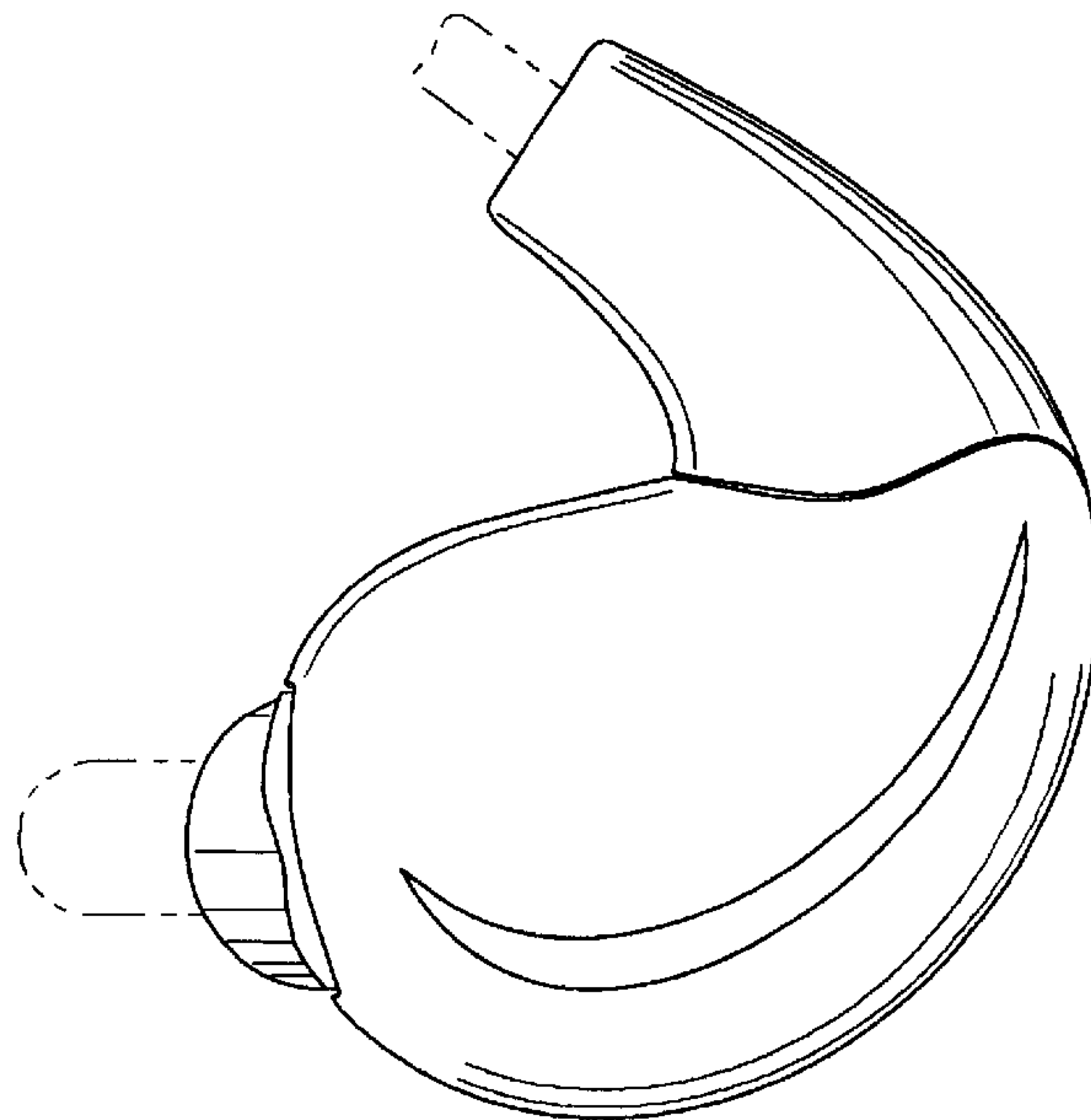


Fig. 6

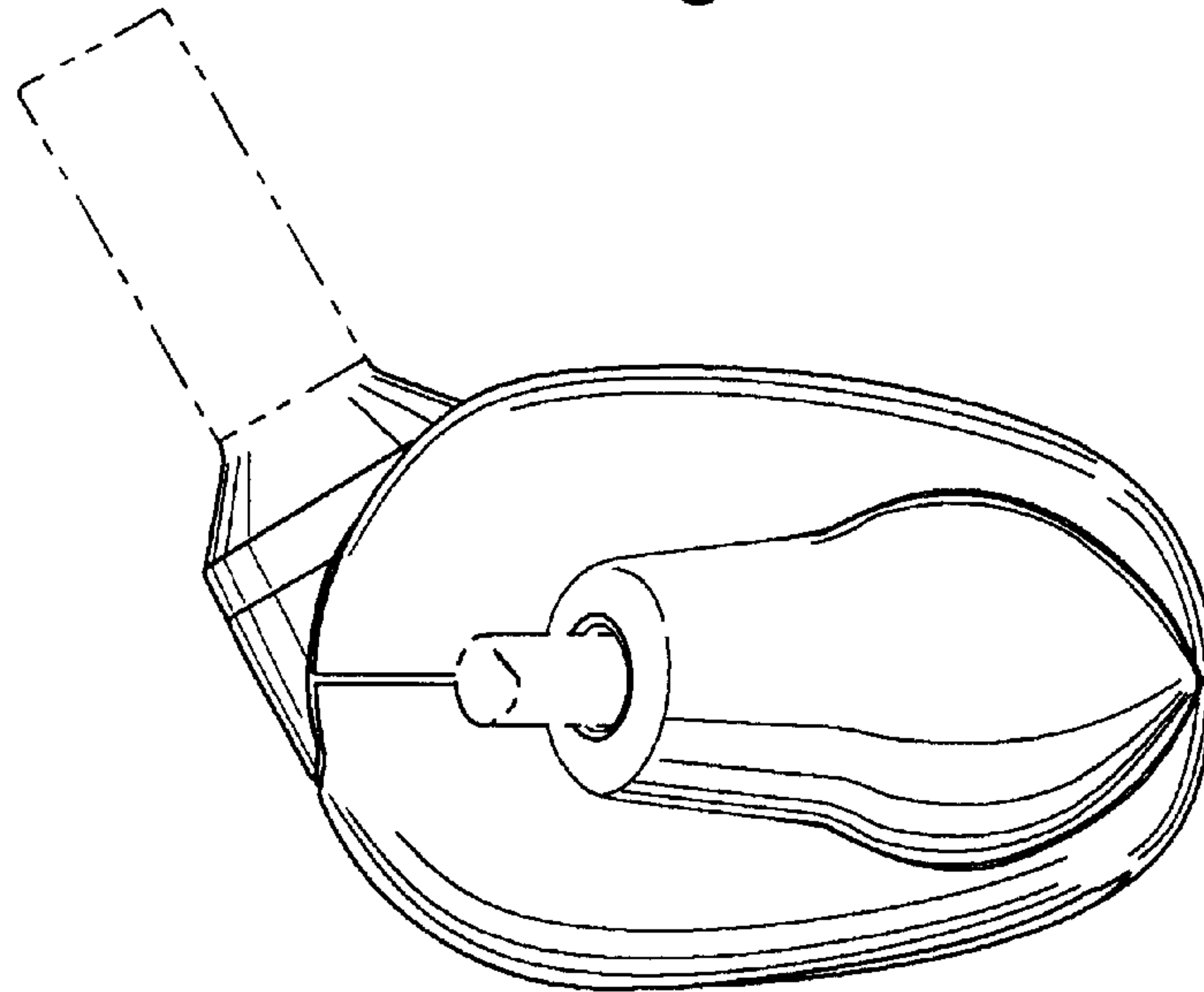


Fig. 7

