



US00D532769S

(12) **United States Design Patent**
Harris, Jr. et al.

(10) **Patent No.:** **US D532,769 S**

(45) **Date of Patent:** **** Nov. 28, 2006**

(54) **AUDIO STEREO SYSTEM**

(75) Inventors: **Kenneth David Harris, Jr.**, Hollis, NH (US); **James D. TerMeer**, Concord, NH (US); **Vian W. Y. Li**, Kowloon Toung (HK)

(73) Assignee: **Brookstone Purchasing, Inc.**, Merrimack, NH (US)

(**) Term: **14 Years**

(21) Appl. No.: **29/217,965**

(22) Filed: **Nov. 23, 2004**

(51) **LOC (8) Cl.** **14-01**

(52) **U.S. Cl.** **D14/168**

(58) **Field of Classification Search** D14/156-157, D14/160-165, 167-168, 172, 192-198, 188, D14/217, 445; 360/99.02, 99.07; 369/75.11, 369/75.21, 77.21, 77.11; 720/612, 619, 647, 720/655; 455/344, 347-351

See application file for complete search history.

(56) **References Cited**

U.S. PATENT DOCUMENTS

5,146,618 A * 9/1992 Wenner 455/345
D402,289 S 12/1998 Pinchuk et al.
D443,601 S * 6/2001 Hattori D14/168
D447,129 S * 8/2001 Cuvelier D14/168
D455,416 S * 4/2002 McDermott D14/168

OTHER PUBLICATIONS

Sharper Image, Sleek Solo CD Stereo with AM/FM/ Digital Tuner, www.sharperimage.com (electronic catalog), Oct. 1, 2003.

Sharper Image, Sleek Solo CD Stereo with AM/FM/ Digital Tuner, GT 900 Instructions, Copyright 2003.

BROOKSTONE, Slim Profile CD System, www.brookstone.com (electronic catalog), Apr. 4, 2004.

BROOKSTONE, AcoustiClear Desktop System, www.brookstone.com (electronic catalog), Apr. 4, 2004.

BROOKSTONE, Wafer-Thin CD System, www.brookstone.com (electronic catalog), Apr. 4, 2004.

* cited by examiner

Primary Examiner—Nanda Bondade

(74) *Attorney, Agent, or Firm*—Nixon Peabody, LLP

(57) **CLAIM**

The ornamental design for an audio stereo system, as shown and described.

DESCRIPTION

FIG. 1 is a front elevational view of an audio stereo system showing our new design;

FIG. 2 is front elevational view thereof, with a remote control device shown in broken line;

FIG. 3 is a top plan view thereof;

FIG. 4 is a top plan view thereof, with a remote control device shown in broken line;

FIG. 5 is a rear elevational view thereof;

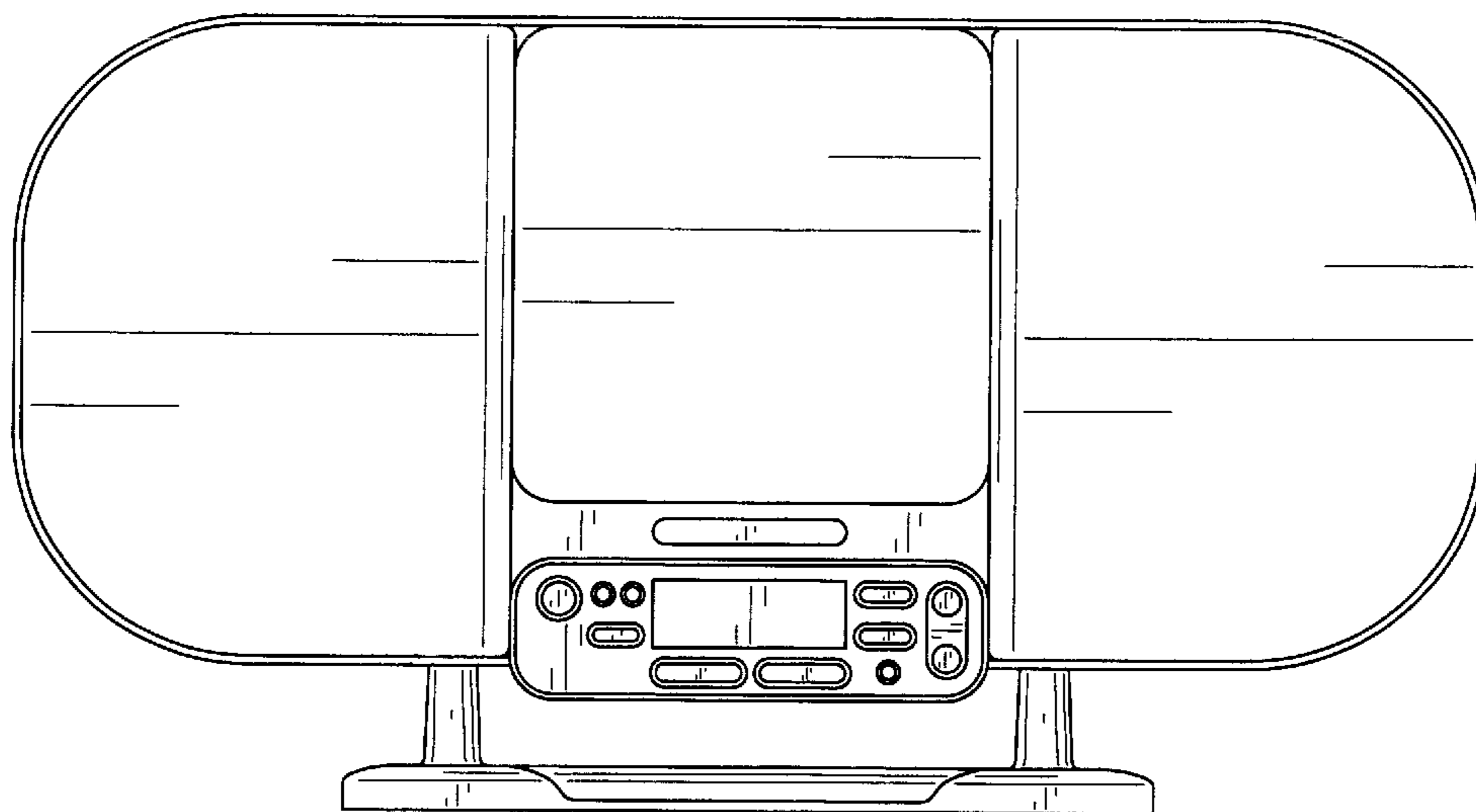
FIG. 6 is a left side elevational view thereof;

FIG. 7 is a right side elevational view thereof; and,

FIG. 8 is a bottom plan thereof.

The broken line showing on FIGS. 2 and 4 is for illustrative purposes only and forms no part of the claimed design.

1 Claim, 8 Drawing Sheets



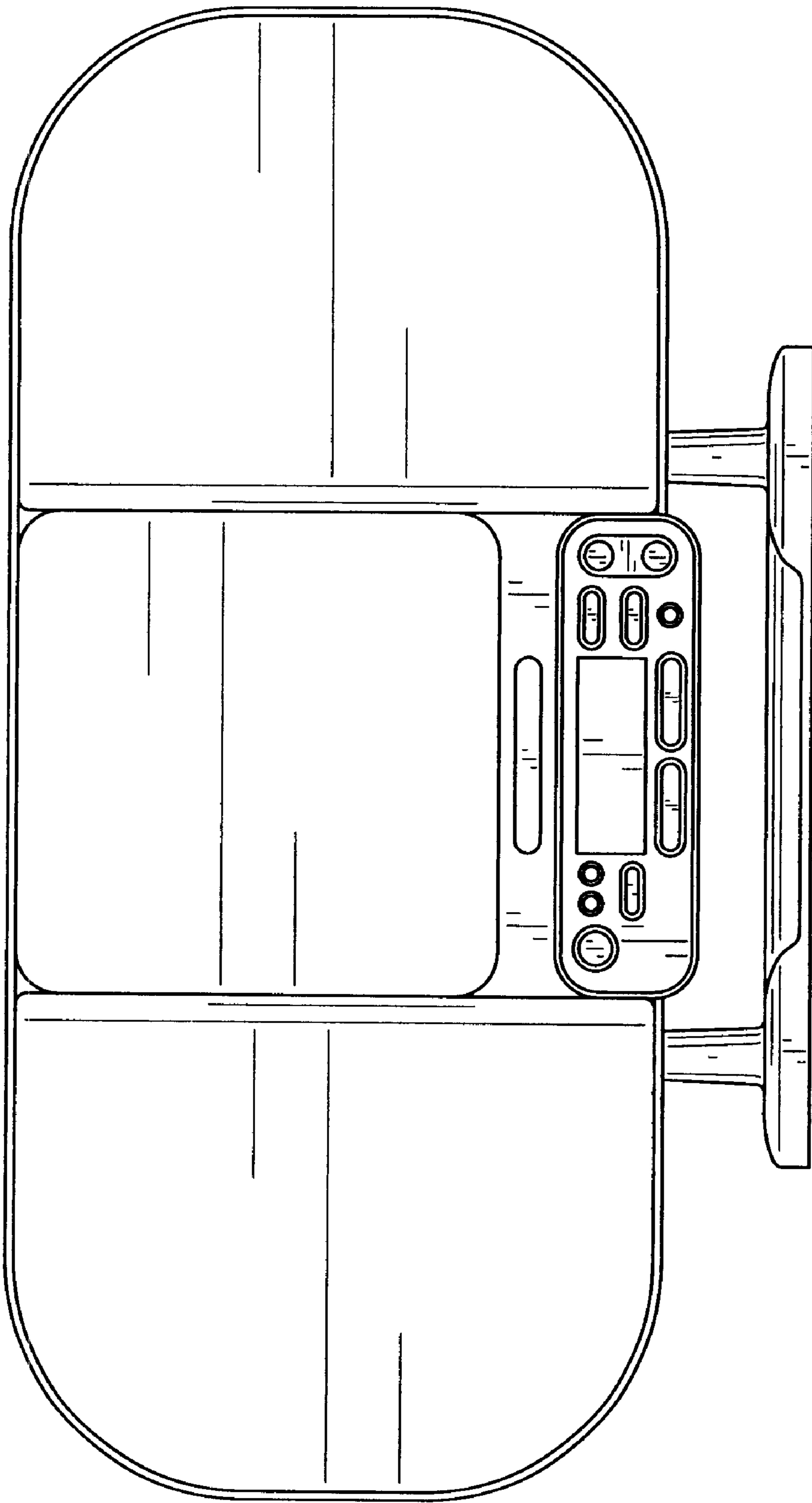


FIG. 1

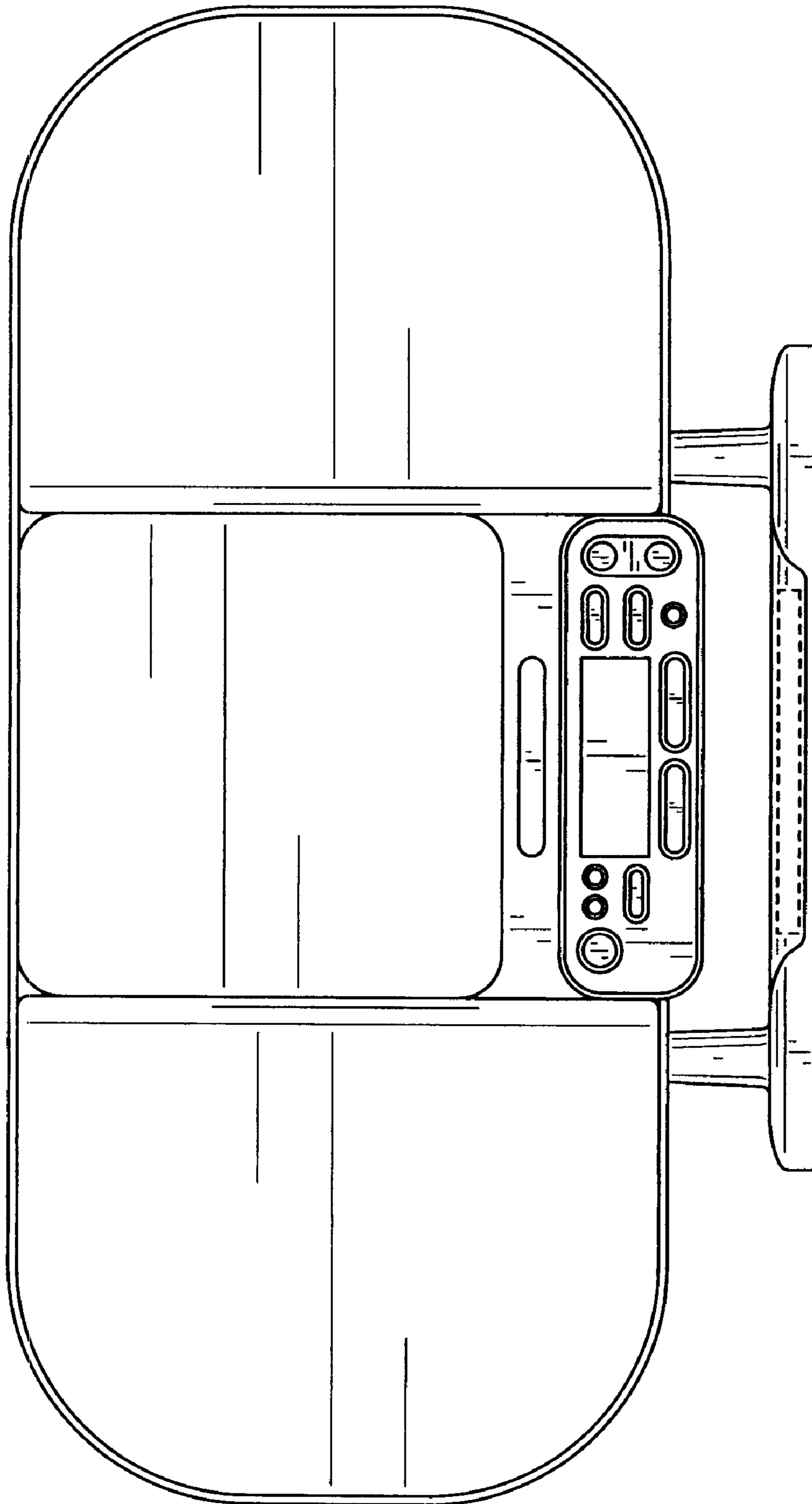


FIG. 2

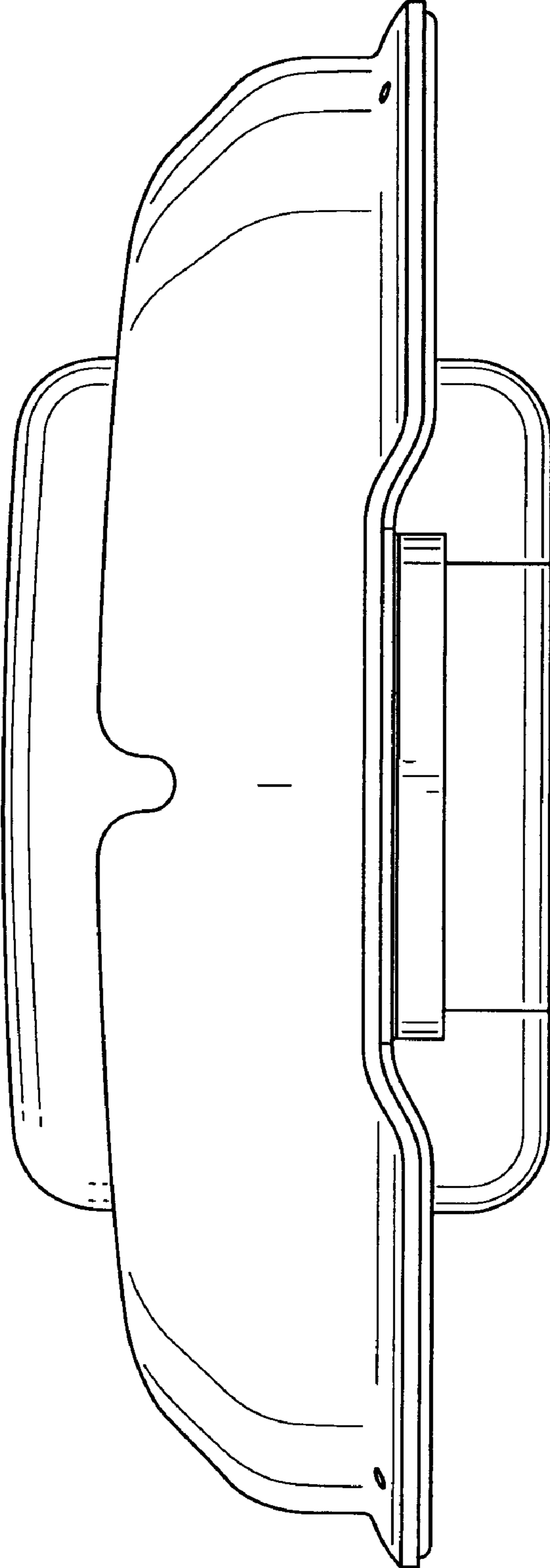


FIG. 3

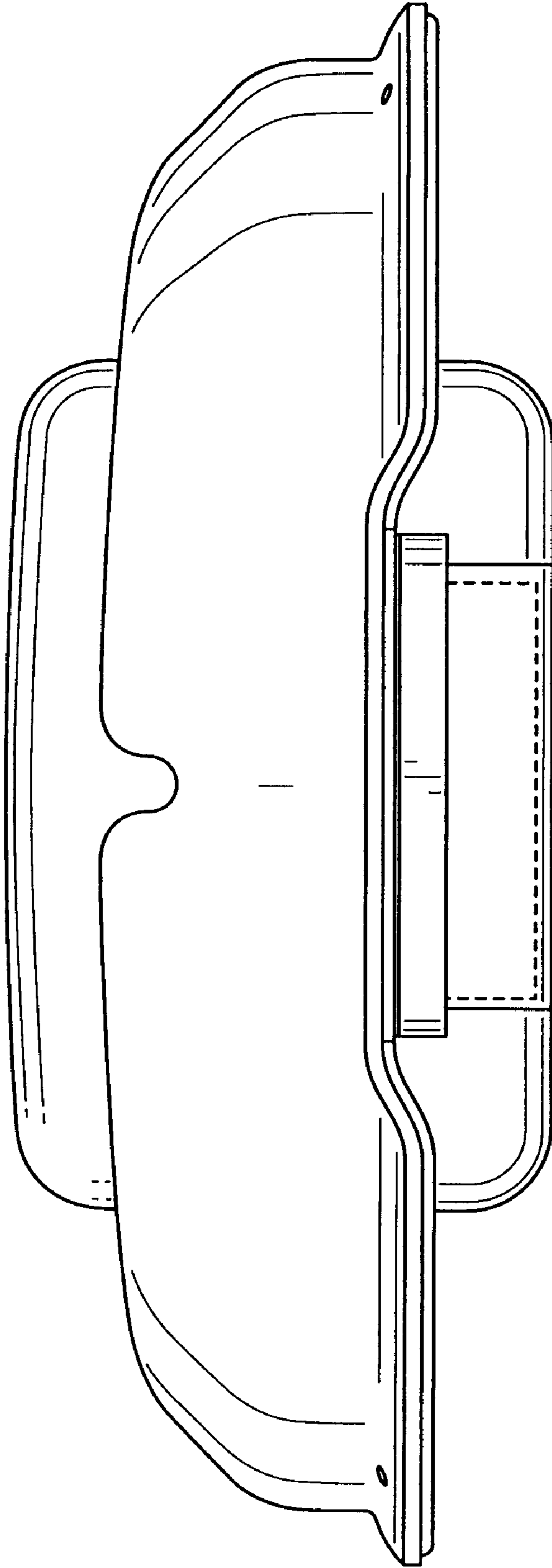


FIG. 4

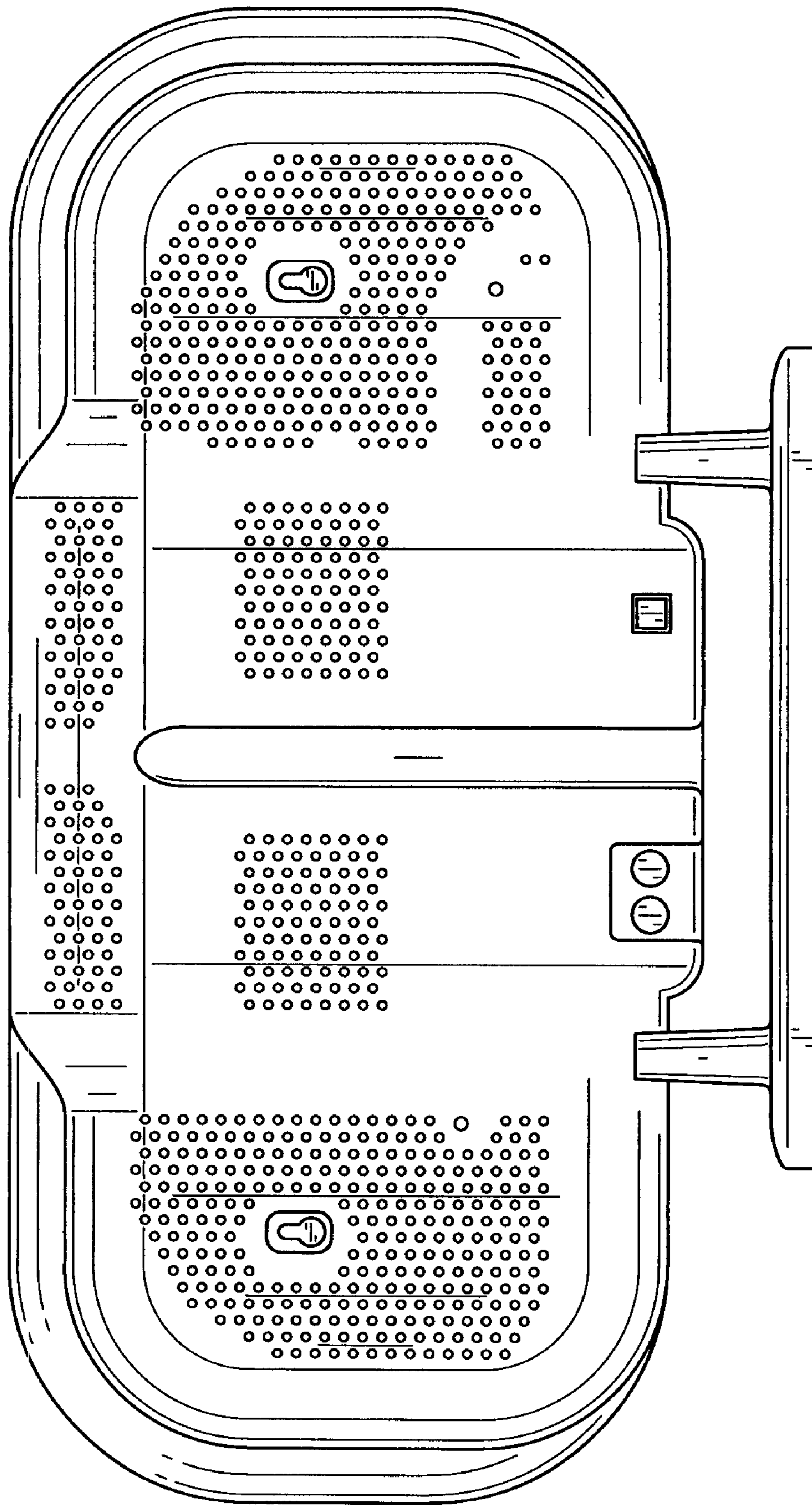


FIG. 5

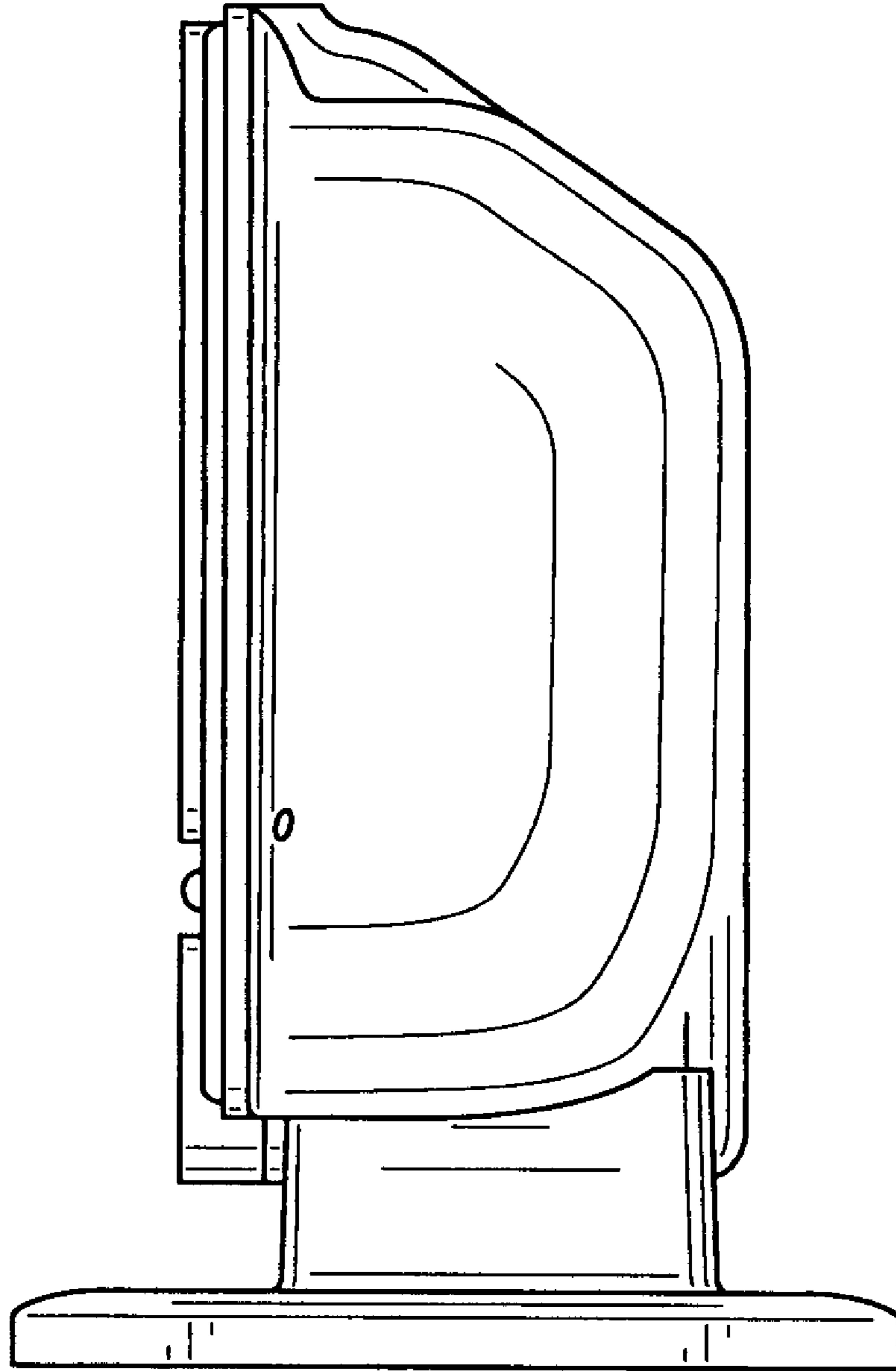


FIG. 6

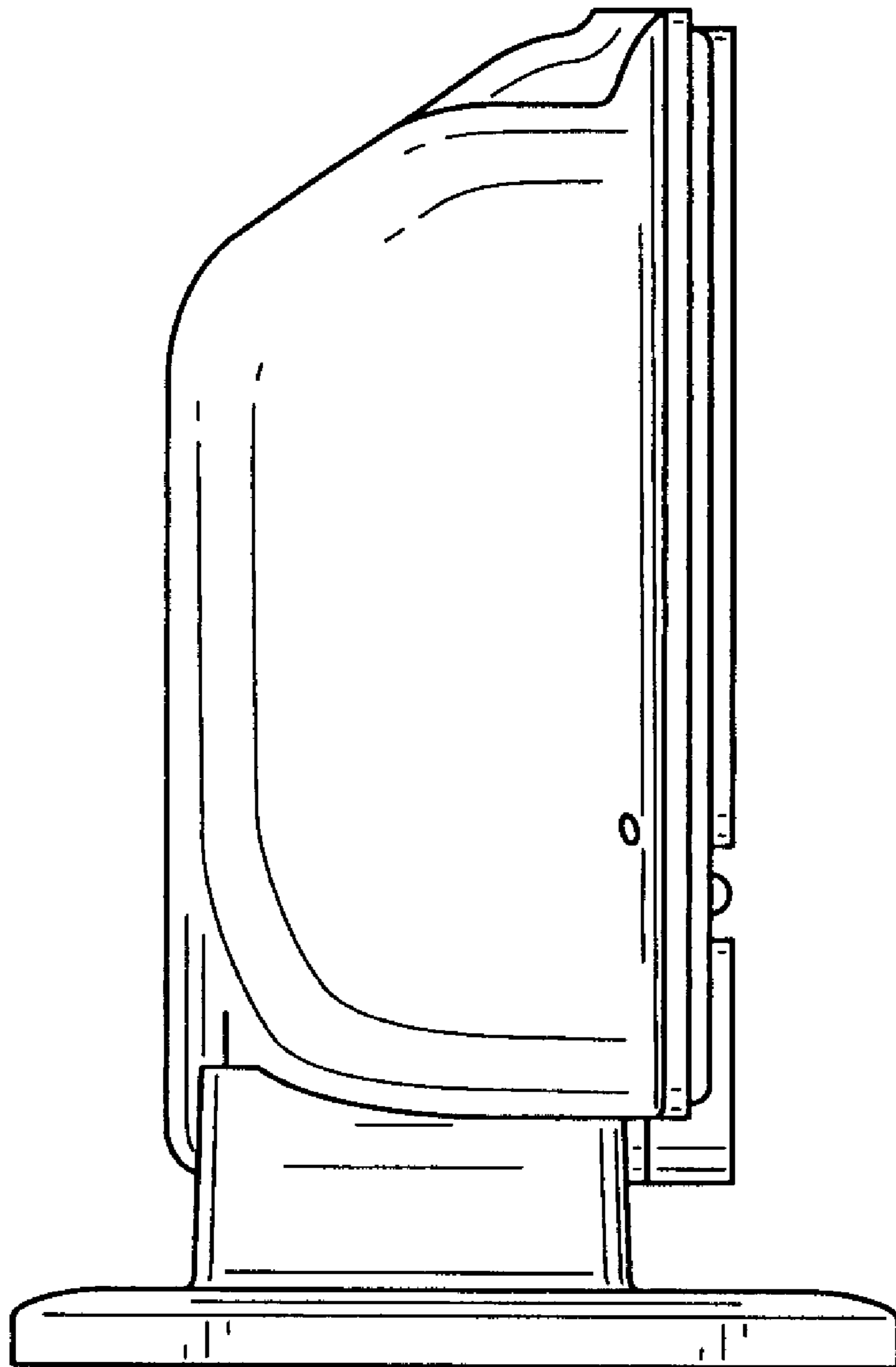


FIG. 7

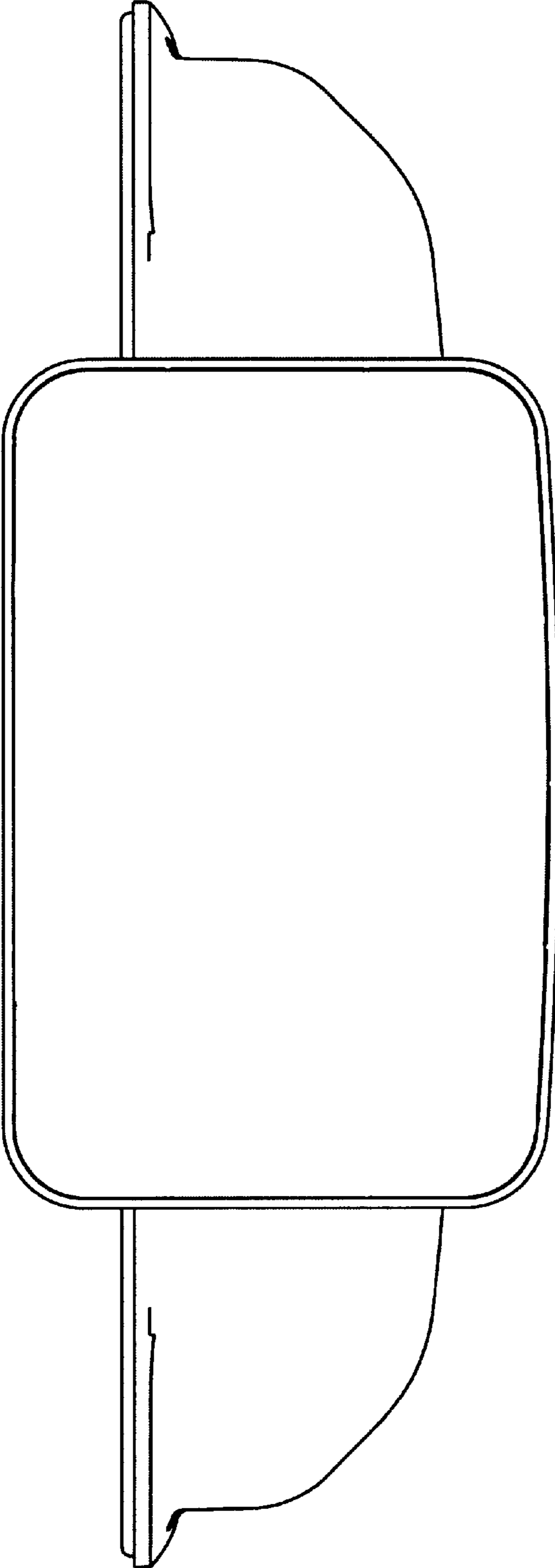


Figure 8