



US00D532768S

(12) **United States Design Patent**
Lee

(10) **Patent No.:** **US D532,768 S**

(45) **Date of Patent:** **** Nov. 28, 2006**

(54) **CD PLAYER**

(75) Inventor: **Johann Lee**, Maspeth, NY (US)

(73) Assignee: **Coby Electronics Corporation**,
Maspeth, NY (US)

(**) Term: **14 Years**

(21) Appl. No.: **29/233,848**

(22) Filed: **Jul. 12, 2005**

(51) **LOC (8) Cl.** **14-01**

(52) **U.S. Cl.** **D14/156**

(58) **Field of Classification Search** D14/135-136,
D14/156, 167-168, 192, 217, 445, 496; 360/99.02,
360/99.07; 369/75.11, 75.21, 77.21, 77.11;
720/612, 619, 647, 655; 455/344, 347-351
See application file for complete search history.

D453,015 S	1/2002	Yuyama	
D458,245 S	6/2002	Masude	
D463,396 S	9/2002	Beraut et al.	
D471,529 S	* 3/2003	Wada D14/156
D474,757 S	5/2003	Takagi	
D475,035 S	5/2003	Takagi	
D477,820 S	7/2003	Suzuki et al.	
D481,375 S	10/2003	Suzuki	
D482,672 S	11/2003	Takagi	
D489,350 S	5/2004	Lee	
D491,910 S	6/2004	Zeitman	
D492,941 S	7/2004	Komiyama	
D493,158 S	7/2004	Yang	
D499,080 S	11/2004	Matsuoka	
D504,122 S	* 4/2005	Zeitman D14/156

* cited by examiner

Primary Examiner—Nanda Bondade
(74) *Attorney, Agent, or Firm*—Mayer, Brown, Rowe & Maw, LLP

(56) **References Cited**

U.S. PATENT DOCUMENTS

D328,074 S	7/1992	Yamazaki et al.
D338,010 S	8/1993	Yamatogi
D345,162 S	3/1994	Yamatogi
D345,163 S	3/1994	Yamatogi
D348,465 S	7/1994	Yamatogi
D348,466 S	7/1994	Yamatogi
D358,389 S	5/1995	Isono
D377,021 S	12/1996	Isono
D394,062 S	5/1998	Chun
D399,206 S	10/1998	Yasutomi et al.
D404,035 S	1/1999	Delazzer
D439,574 S	3/2001	Katayama
D444,140 S	6/2001	Ishibashi

(57) **CLAIM**

The ornamental design for a CD player as shown and described.

DESCRIPTION

FIG. 1 is a perspective view of a CD player showing my new design;
FIG. 2 is a front elevation view thereof;
FIG. 3 is a rear elevation view thereof;
FIG. 4 is a right side elevation view thereof;
FIG. 5 is a left side elevation view thereof;
FIG. 6 is top plan view thereof; and,
FIG. 7 is a bottom plan view thereof.

1 Claim, 3 Drawing Sheets

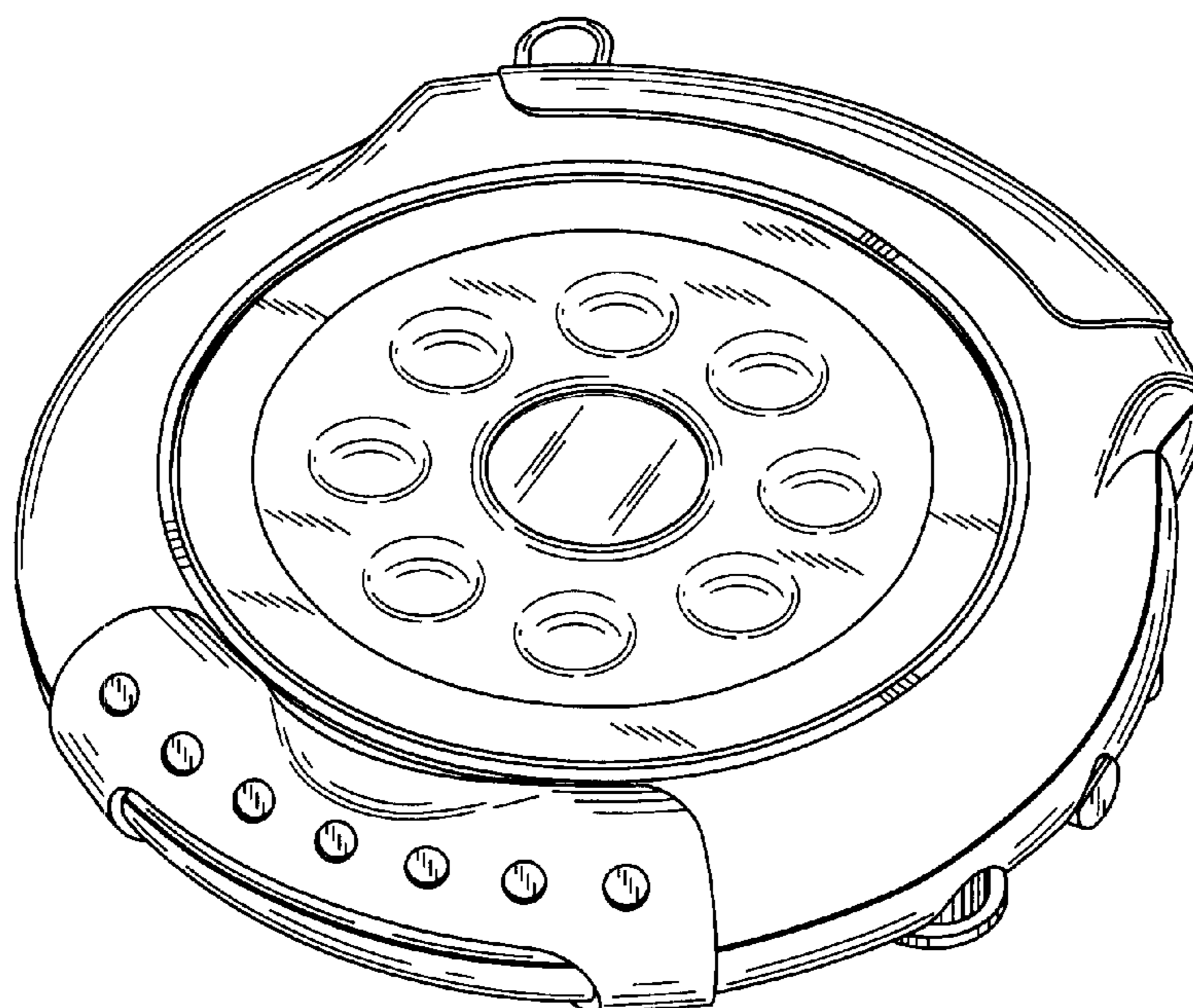


FIG. 1

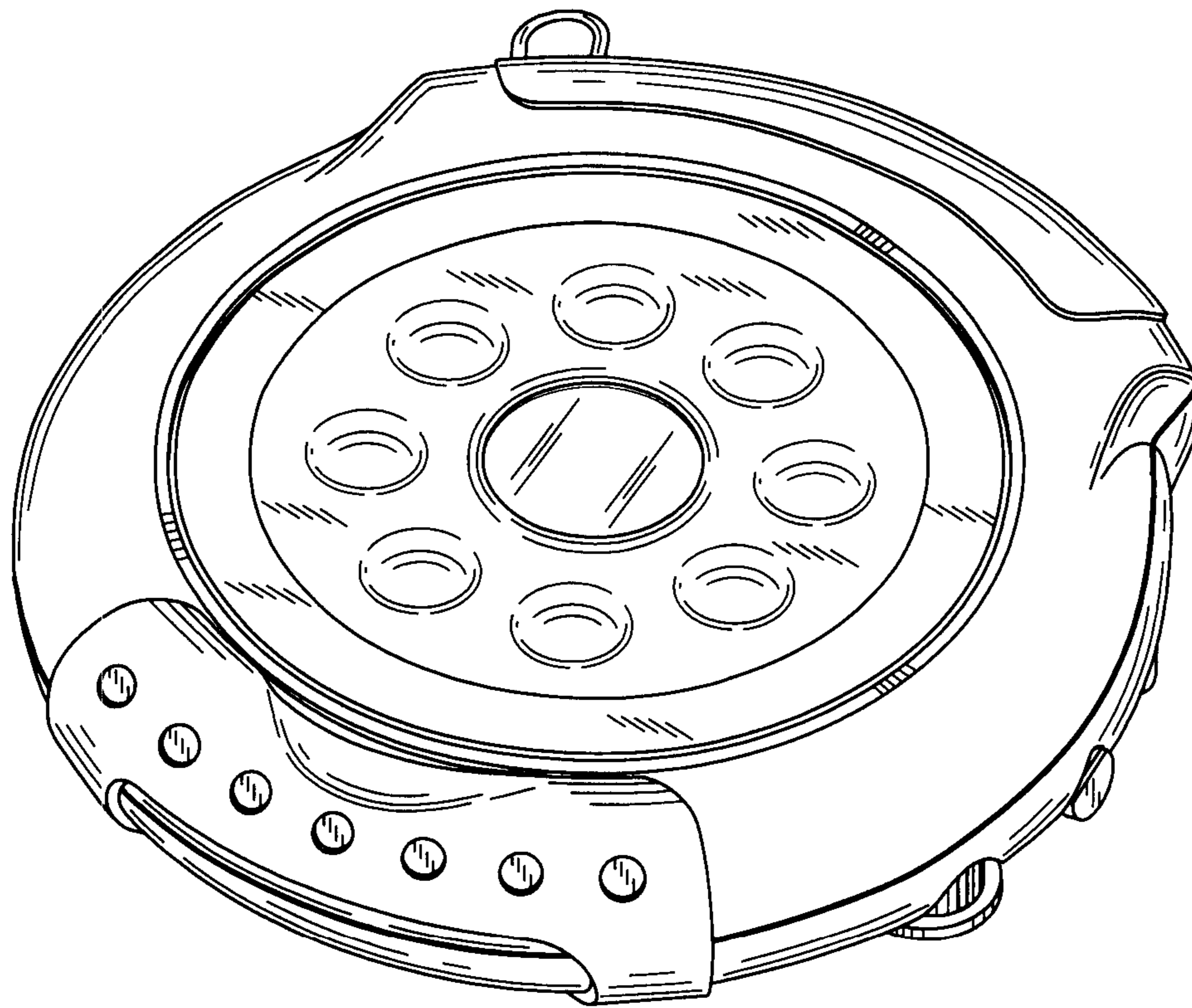


FIG. 3

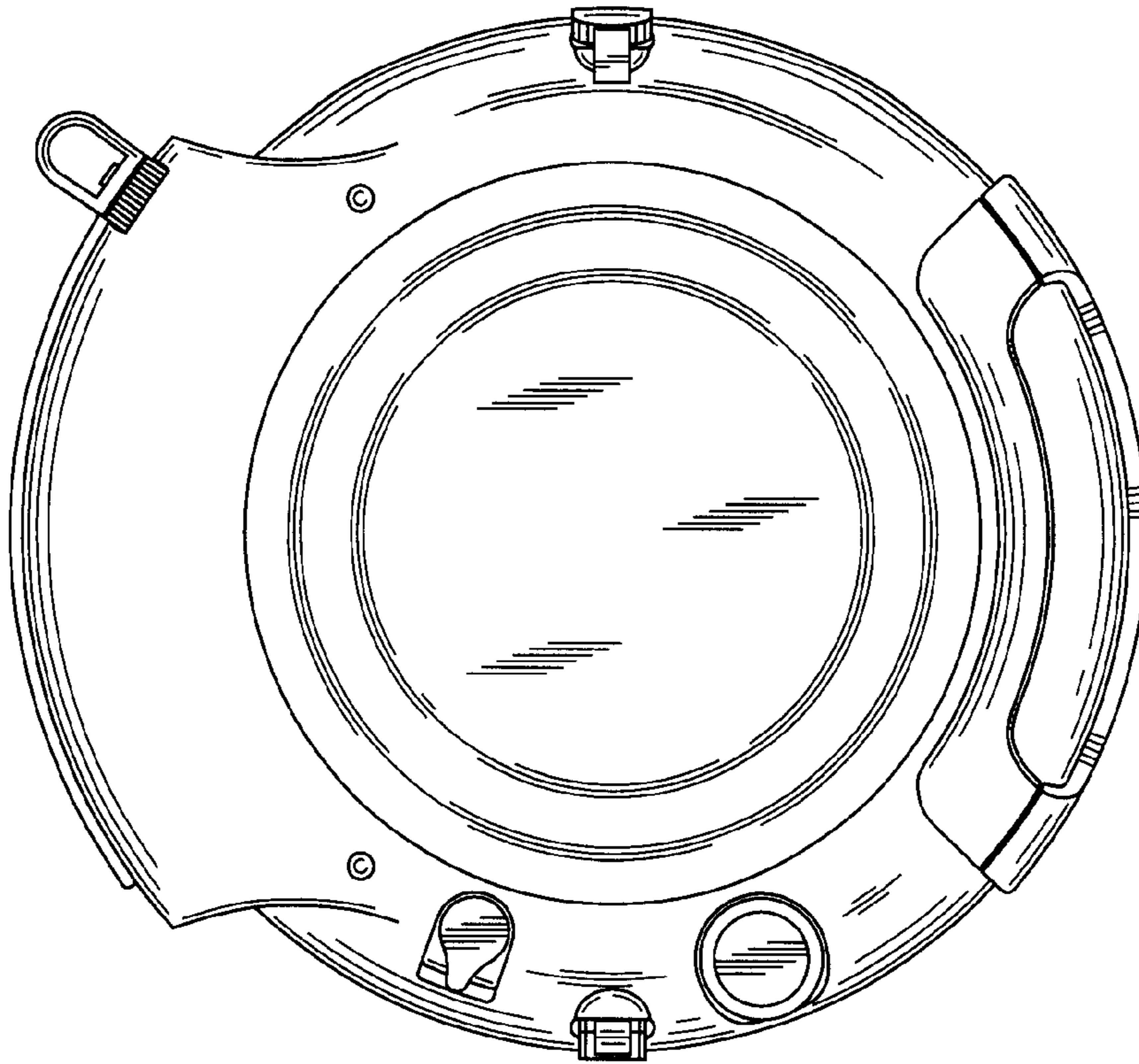


FIG. 2

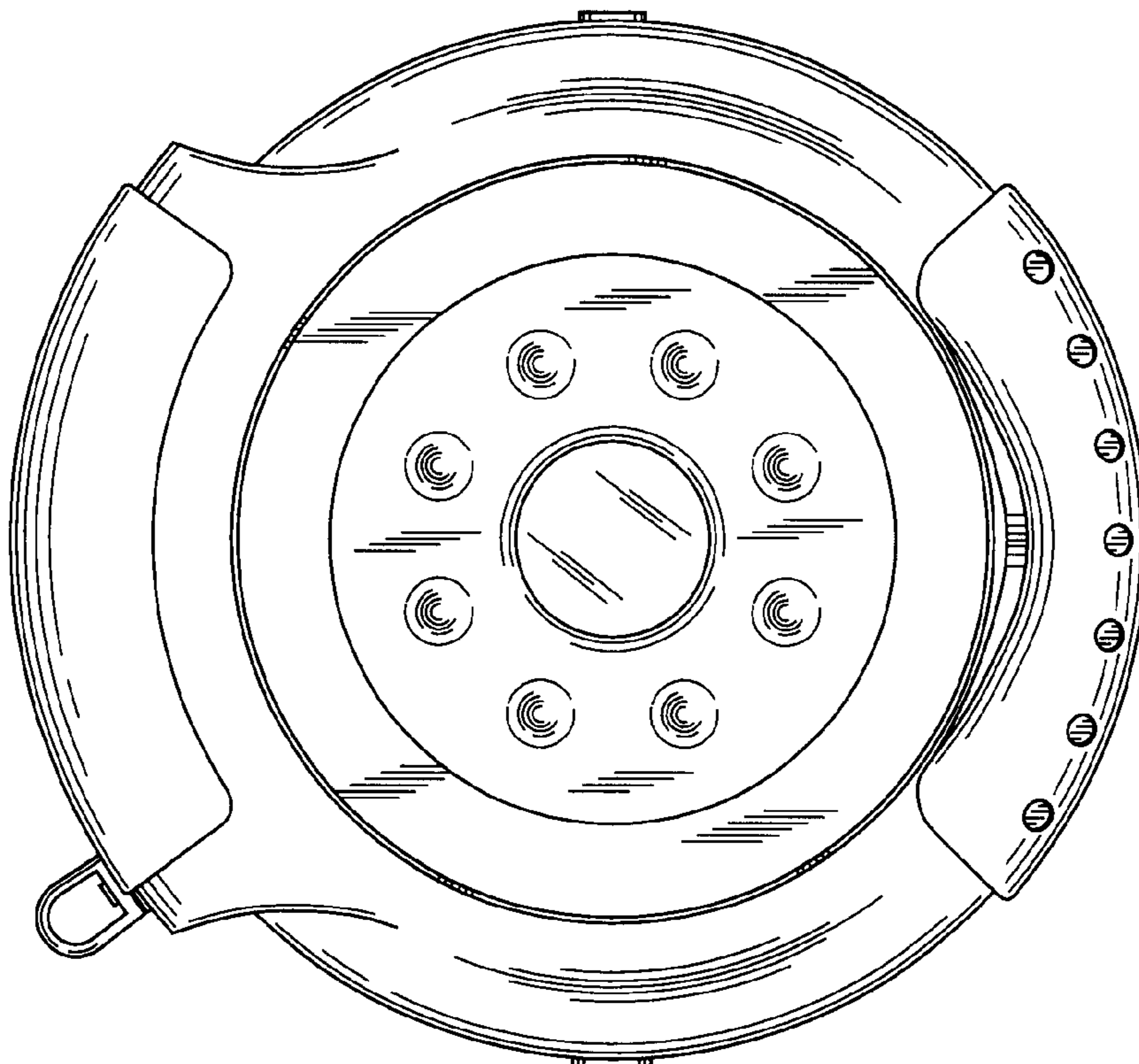


FIG. 4

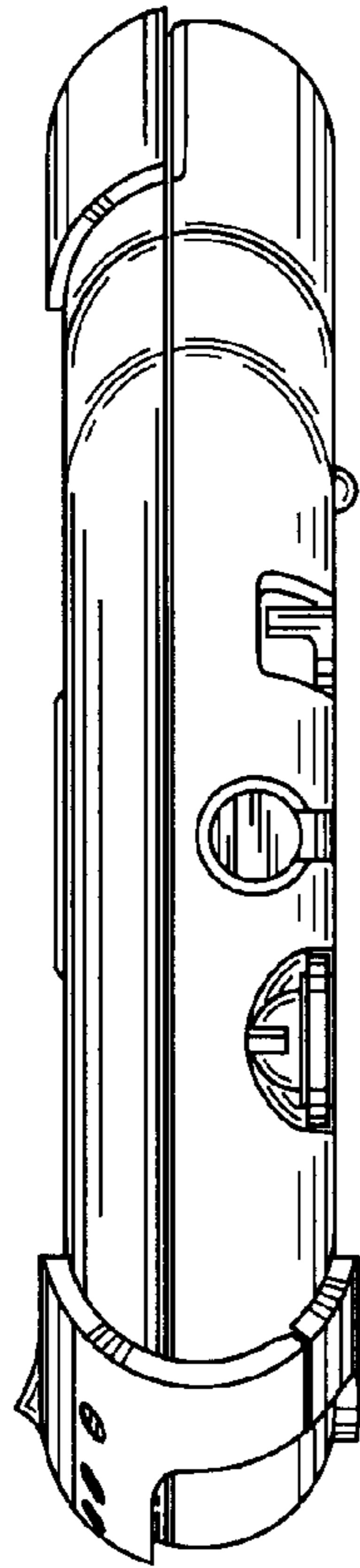


FIG. 5

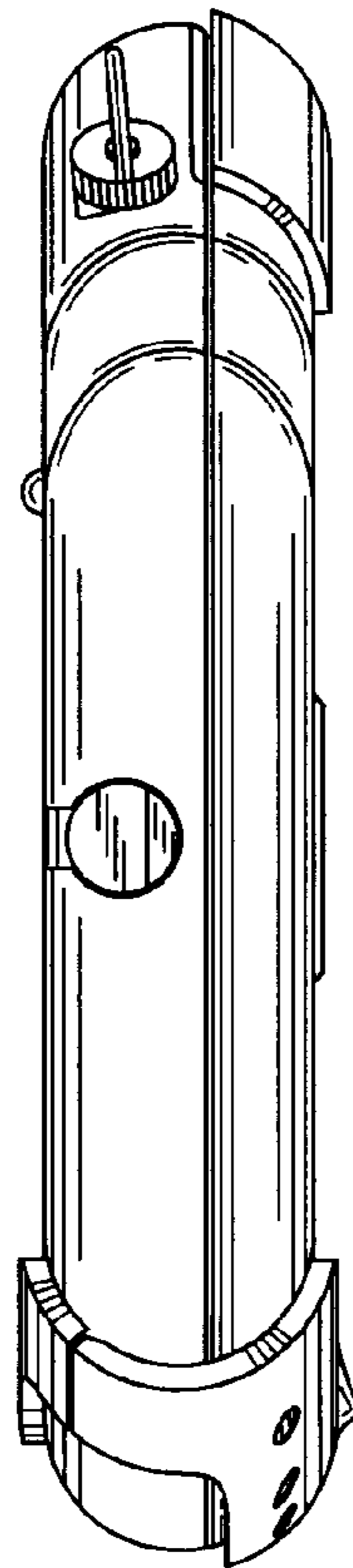


FIG. 6

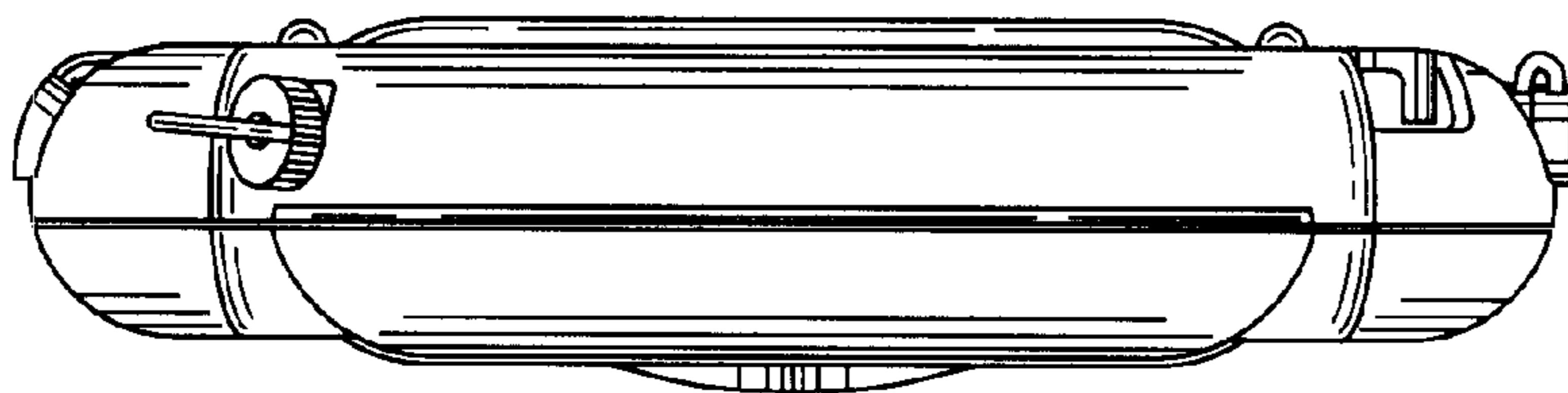


FIG. 7

