



US00D532765S

(12) **United States Design Patent**
Peng

(10) **Patent No.:** **US D532,765 S**

(45) **Date of Patent:** **** Nov. 28, 2006**

(54) **DVD MULTIMEDIA PLAYER**

(75) Inventor: **Juen Tien Peng, Chung Li (TW)**

(73) Assignee: **Action Electronics Co., Ltd., Chung Li (TW)**

(**) Term: **14 Years**

(21) Appl. No.: **29/214,689**

(22) Filed: **Oct. 8, 2004**

(51) **LOC (8) Cl.** **14-03**

(52) **U.S. Cl.** **D14/129; D14/126**

(58) **Field of Classification Search** D14/125,
D14/126, 127, 128, 129, 133, 134, 374, 375,
D14/376; 348/836, 838, 180, 184, 325, 739;
248/917-924; 345/104, 133, 156, 168, 87,
345/173; 353/74; 455/344-347; 720/605,
720/600, 655, 669

See application file for complete search history.

(56) **References Cited**

U.S. PATENT DOCUMENTS

- D387,041 S * 12/1997 Horiki et al. D14/374
- D432,102 S * 10/2000 Arie D14/126
- D476,632 S * 7/2003 Inoue et al. D14/126

- D492,273 S * 6/2004 Kawano D14/129
- D494,149 S * 8/2004 Shih D14/126
- D496,009 S * 9/2004 Takahashi et al. D14/126
- D501,832 S * 2/2005 Peng D14/126
- D502,153 S * 2/2005 Peng D14/126
- D502,452 S * 3/2005 Peng D14/126
- D510,567 S * 10/2005 Honda D14/126
- D510,732 S * 10/2005 Maeda et al. D14/129
- D512,034 S * 11/2005 Peng D14/129

* cited by examiner

Primary Examiner—Philip S. Hyder

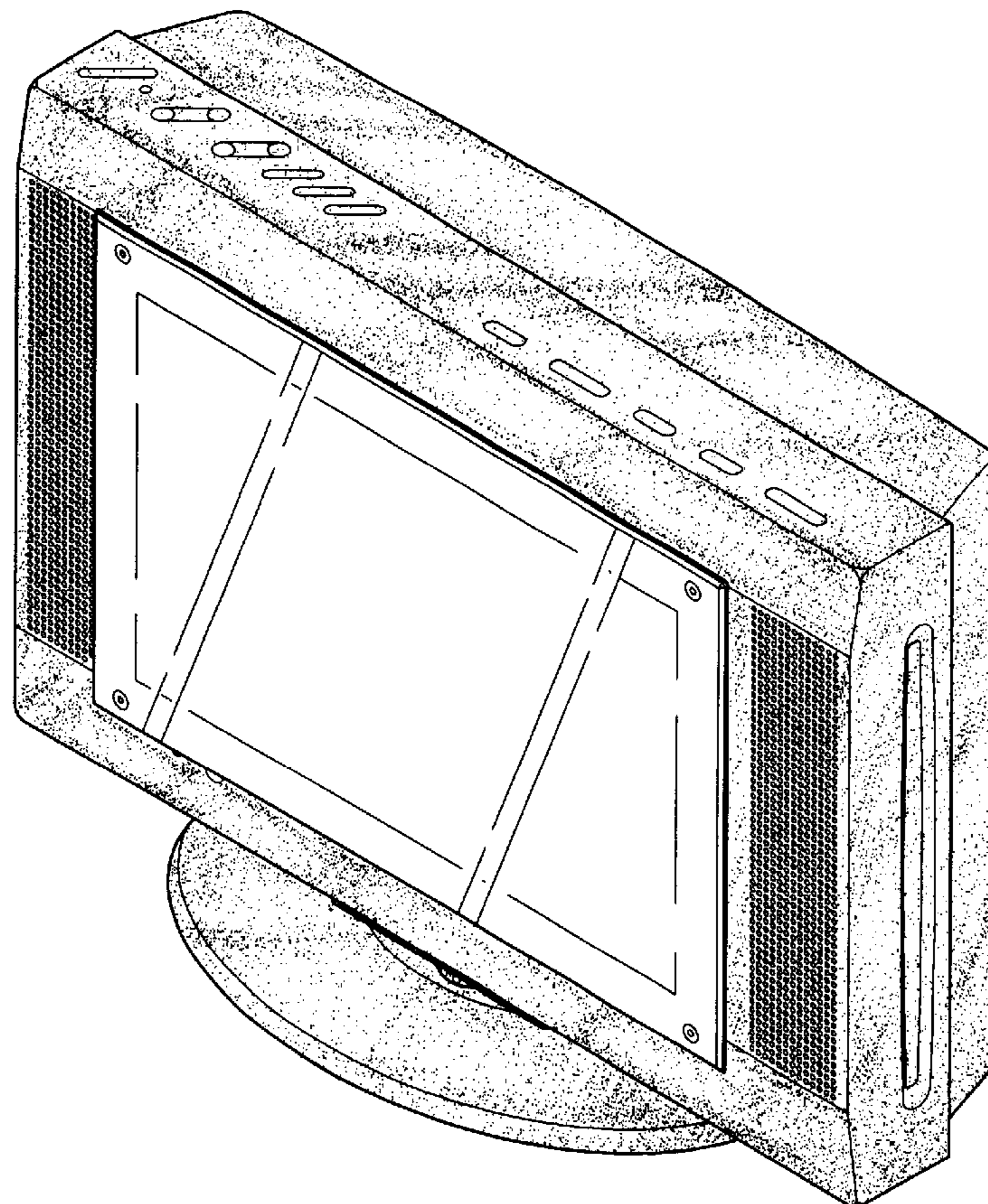
(57) **CLAIM**

The ornamental design of a DVD multimedia player, as shown and described.

DESCRIPTION

FIG. 1 is a perspective view of DVD multimedia player showing my design.
 FIG. 2 is a front elevational view thereof;
 FIG. 3 is rear elevational view thereof.
 FIG. 4 is left elevational view thereof;
 FIG. 5 is a right elevational view thereof;
 FIG. 6 is a top view thereof; and,
 FIG. 7 is a bottom view thereof.

1 Claim, 4 Drawing Sheets



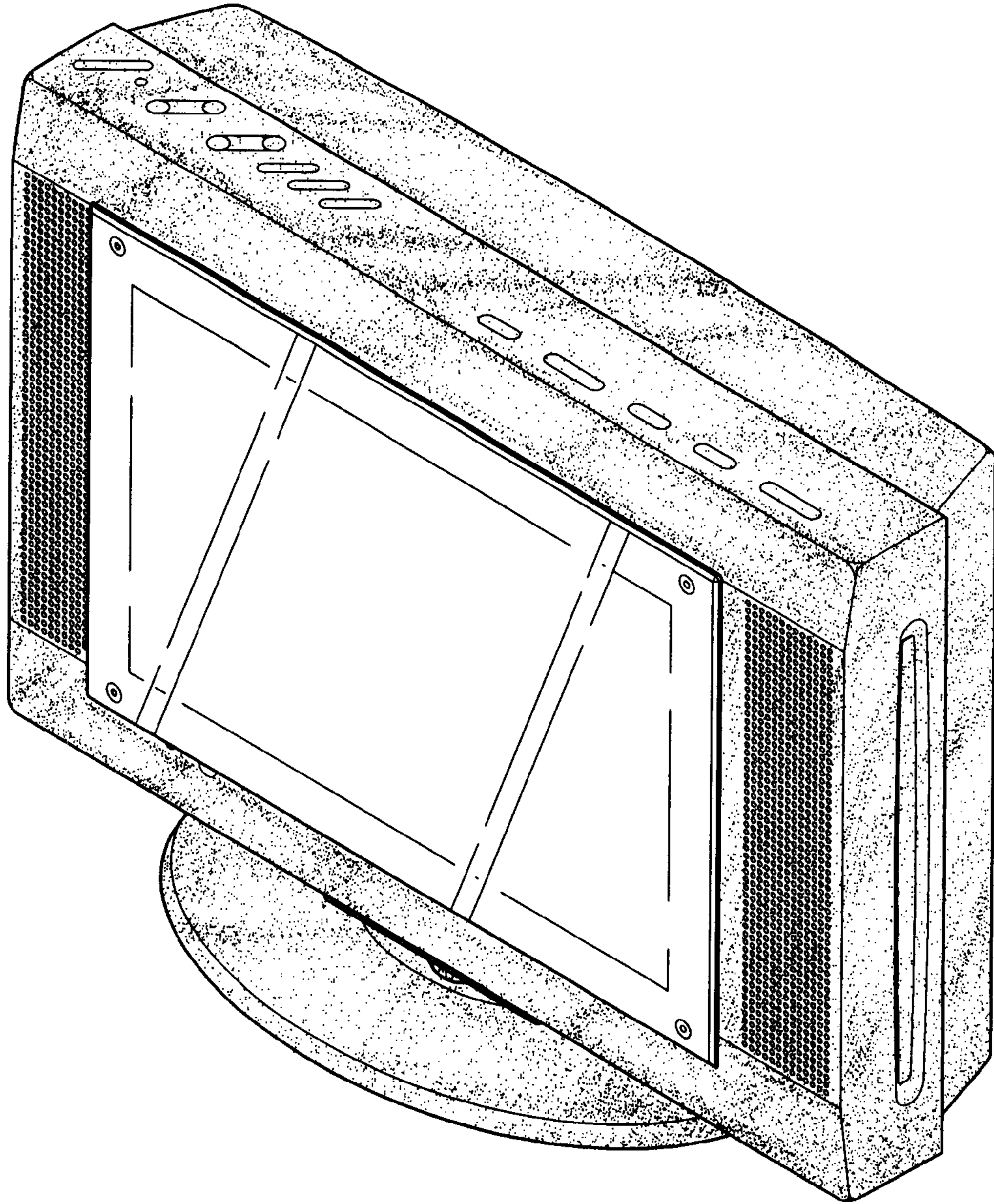


FIG. 1

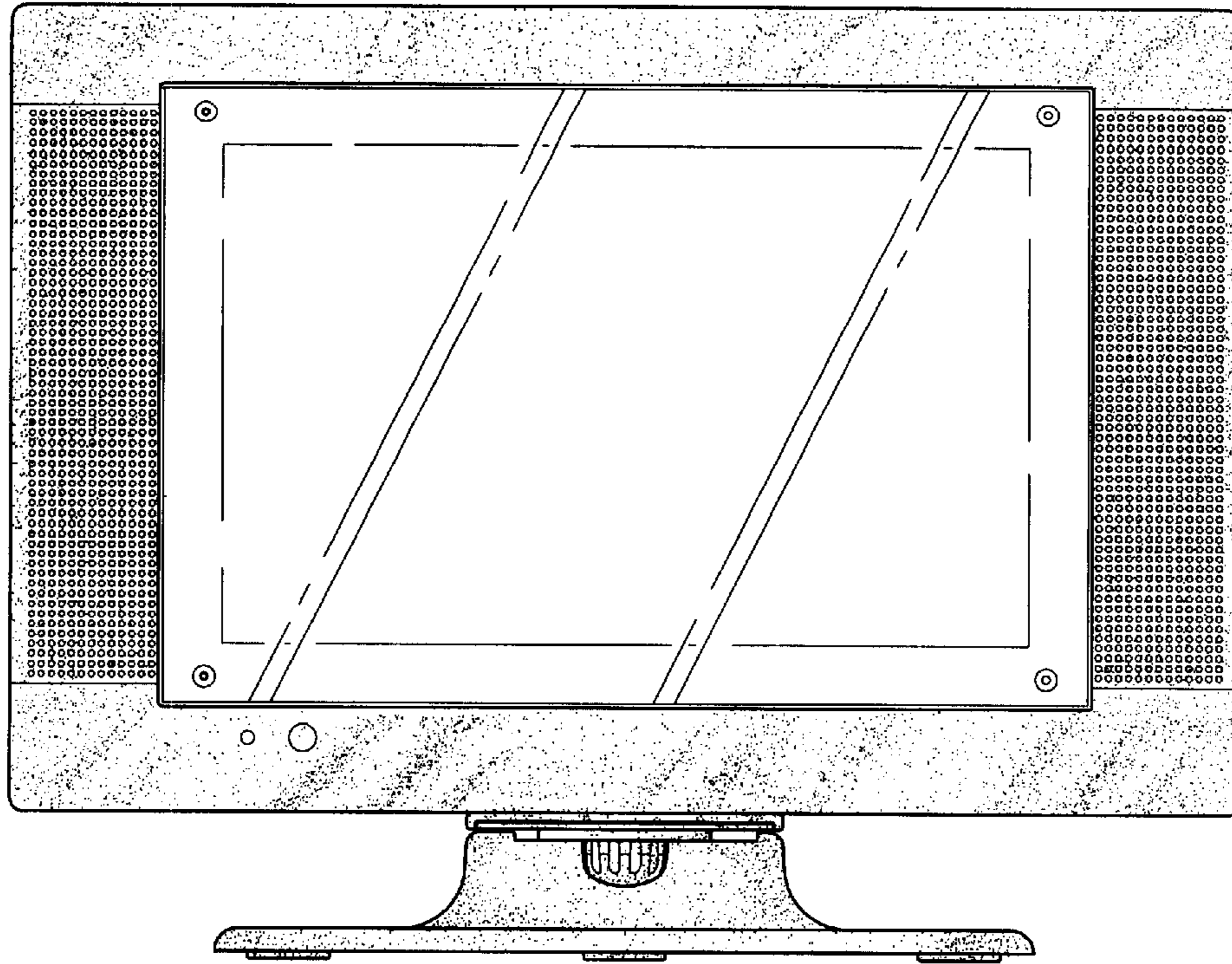


FIG. 2

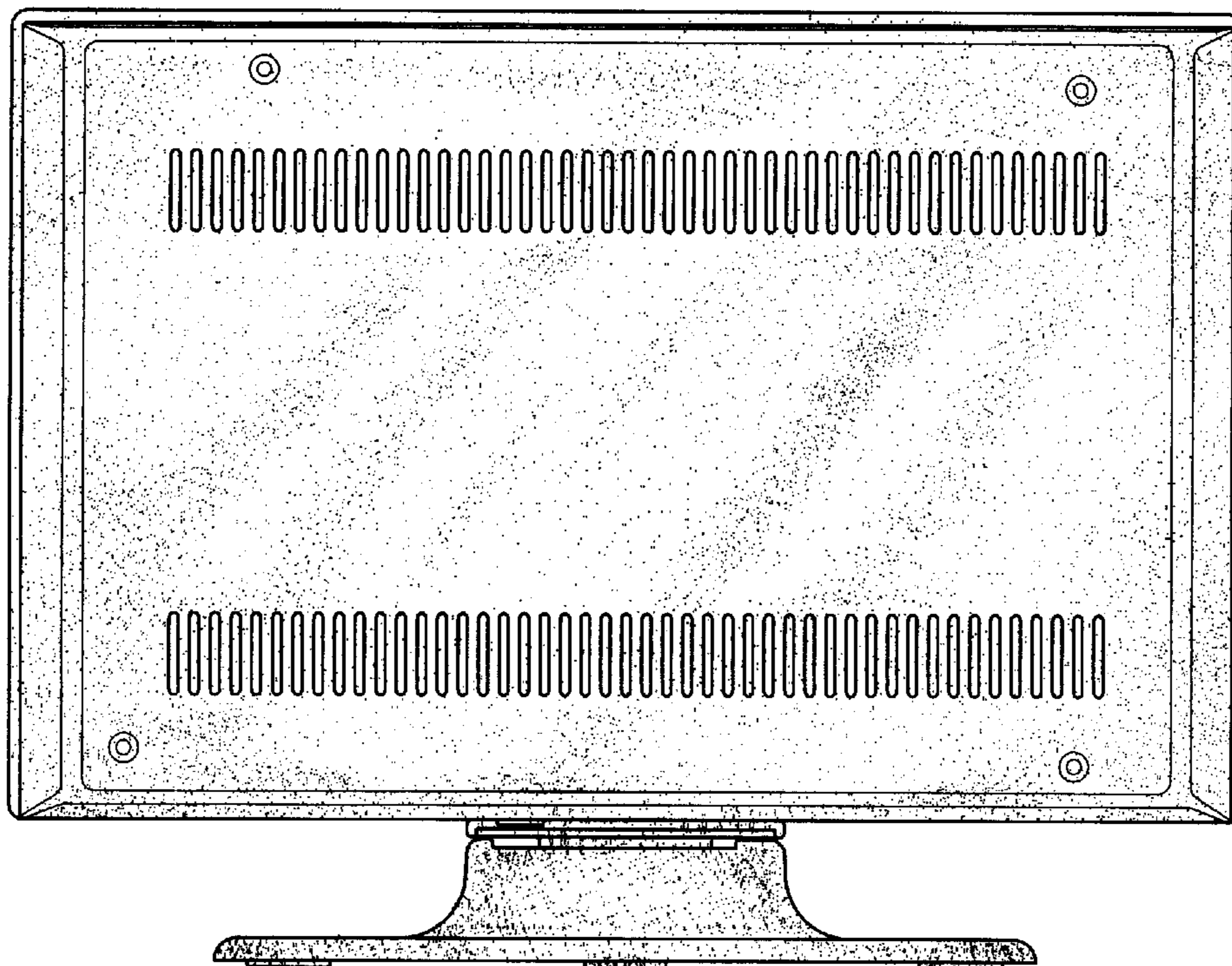


FIG. 3

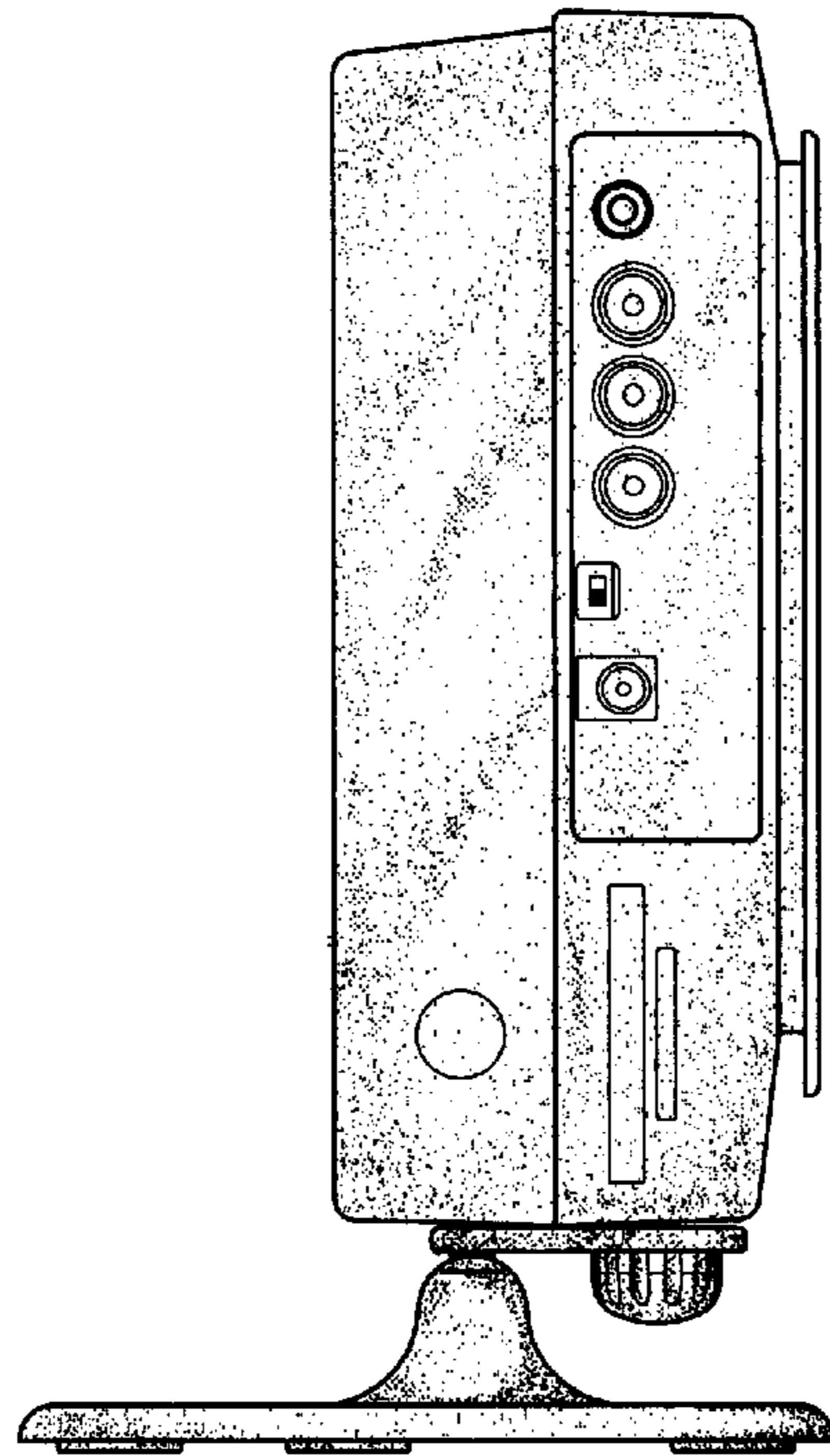


FIG. 4

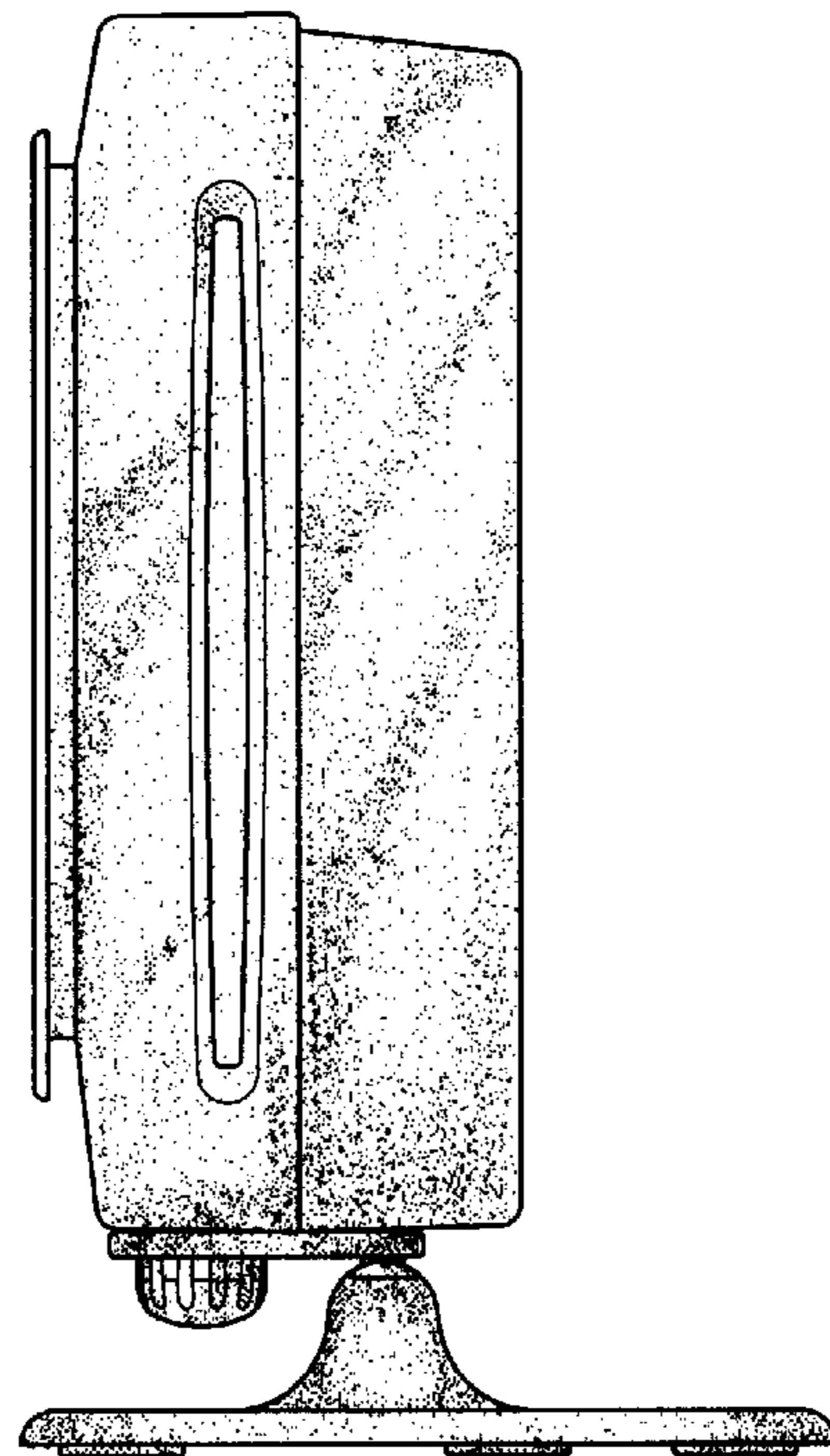


FIG. 5

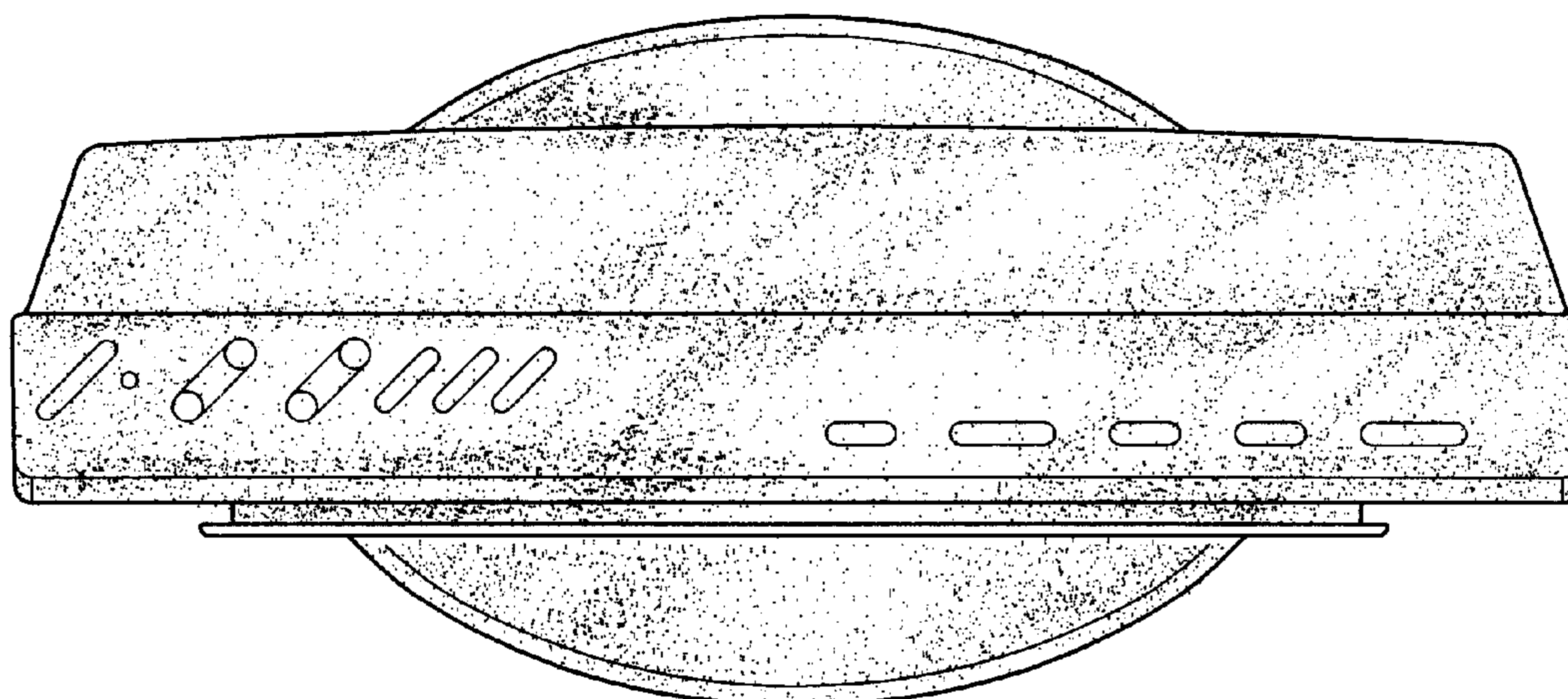


FIG. 6

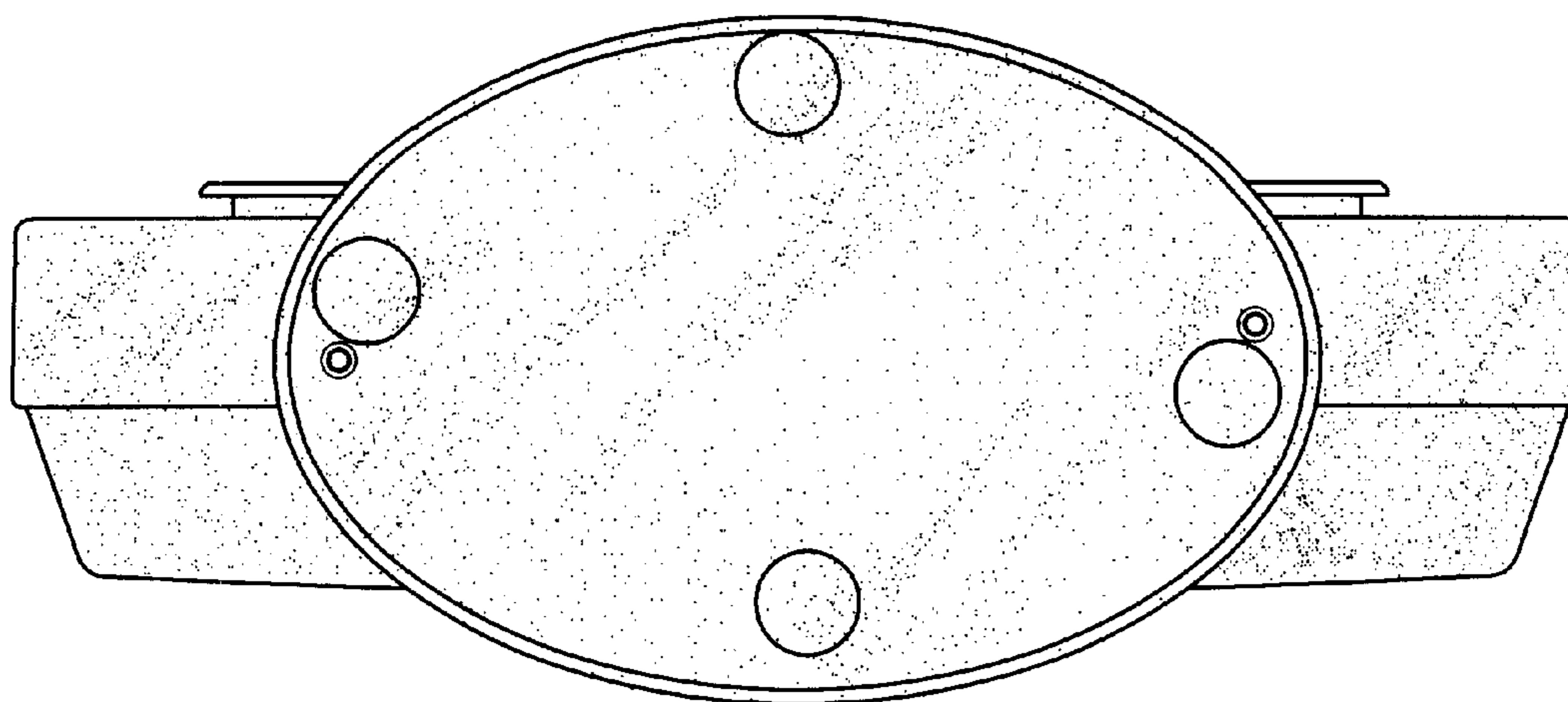


FIG. 7