



US00D532764S

(12) **United States Design Patent**
Kim et al.

(10) **Patent No.:** **US D532,764 S**

(45) **Date of Patent:** **** Nov. 28, 2006**

(54) **PROJECTION TELEVISION**

(75) Inventors: **Young-Jun Kim**, Seoul (KR); **Yun-Je Kang**, Seoul (KR); **Young-Sun Shin**, Seoul (KR)

(73) Assignee: **Samsung Electronics Co., Ltd.**, Suwon (KR)

(**) Term: **14 Years**

(21) Appl. No.: **29/217,926**

(22) Filed: **Nov. 23, 2004**

(51) **LOC (8) Cl.** **14-03**

(52) **U.S. Cl.** **D14/128**

(58) **Field of Classification Search** D14/125, D14/126, 127, 128, 129, 133, 134, 374, 375, D14/376; 348/836, 838, 180, 184, 325, 739; 248/917-924; 345/104, 133, 156, 168, 87, 345/173; 341/12

See application file for complete search history.

(56) **References Cited**

U.S. PATENT DOCUMENTS

D355,648 S	*	2/1995	Gale et al.	D14/128
D355,649 S	*	2/1995	Gale et al.	D14/128
D441,732 S	*	5/2001	Ota	D14/126
D485,538 S	*	1/2004	Goto et al.	D14/128

D485,539 S	*	1/2004	Goto et al.	D14/128
D486,803 S	*	2/2004	Fujiki et al.	D14/126
D489,042 S	*	4/2004	Joe et al.	D14/126
D511,753 S	*	11/2005	Joe et al.	D14/128
D512,032 S	*	11/2005	Joe et al.	D14/128
D517,028 S	*	3/2006	Joe et al.	D14/128

OTHER PUBLICATIONS

Crutchfield Catalog 2005, pp. 6 through 15, Televisions.*

* cited by examiner

Primary Examiner—Philip S. Hyder

(74) *Attorney, Agent, or Firm*—Flynn, Thiel, Boutell & Tanis, P.C.

(57) **CLAIM**

The ornamental design for a projection television, as shown and described.

DESCRIPTION

FIG. 1. is a top front perspective view of a projection television showing our new design.

FIG. 2. is a front elevational view thereof.

FIG. 3. is a rear elevational view thereof.

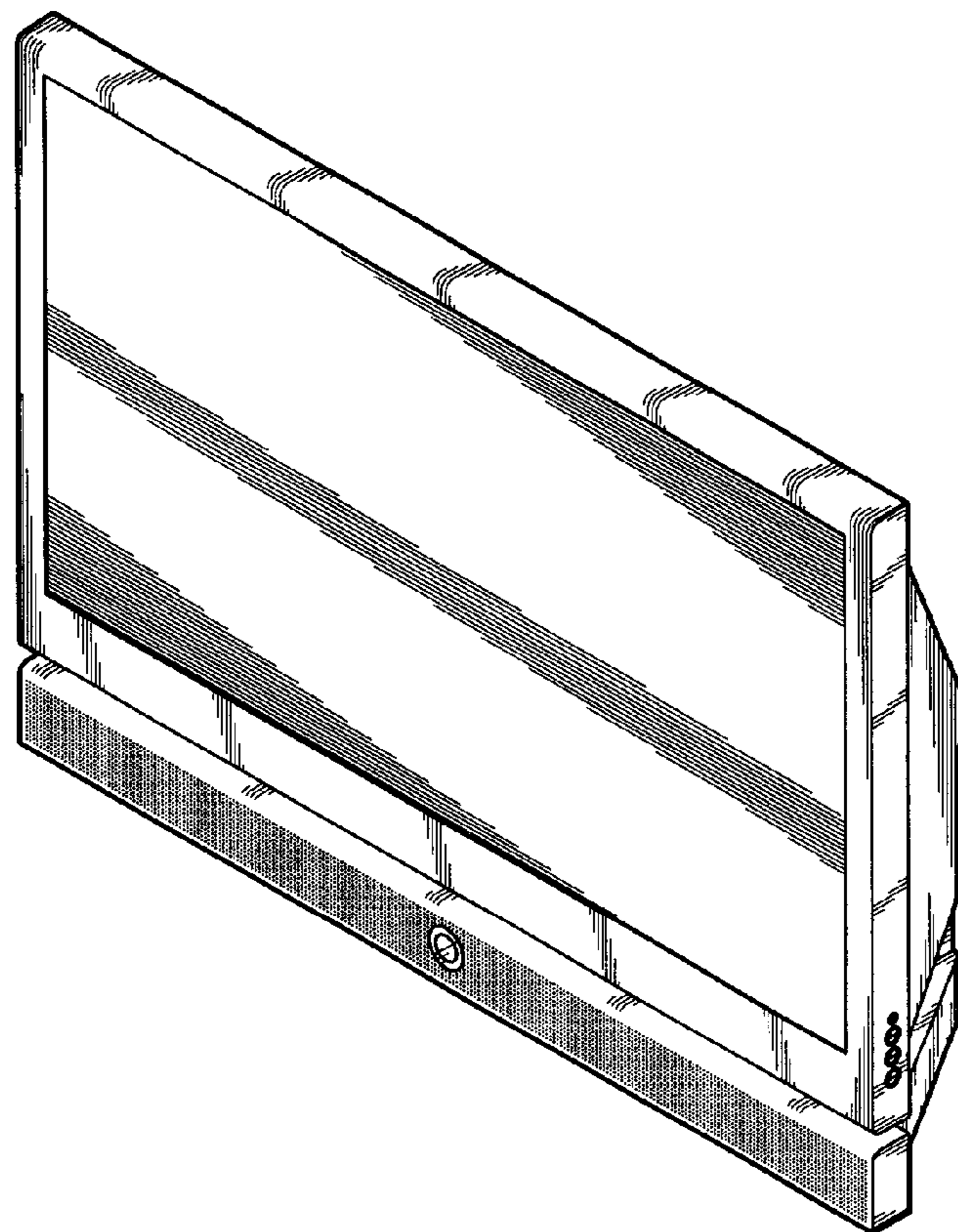
FIG. 4. is a left side elevational view thereof.

FIG. 5. is a right side elevational view thereof.

FIG. 6. is a top plan view thereof; and,

FIG. 7. is a bottom plan view thereof.

1 Claim, 6 Drawing Sheets



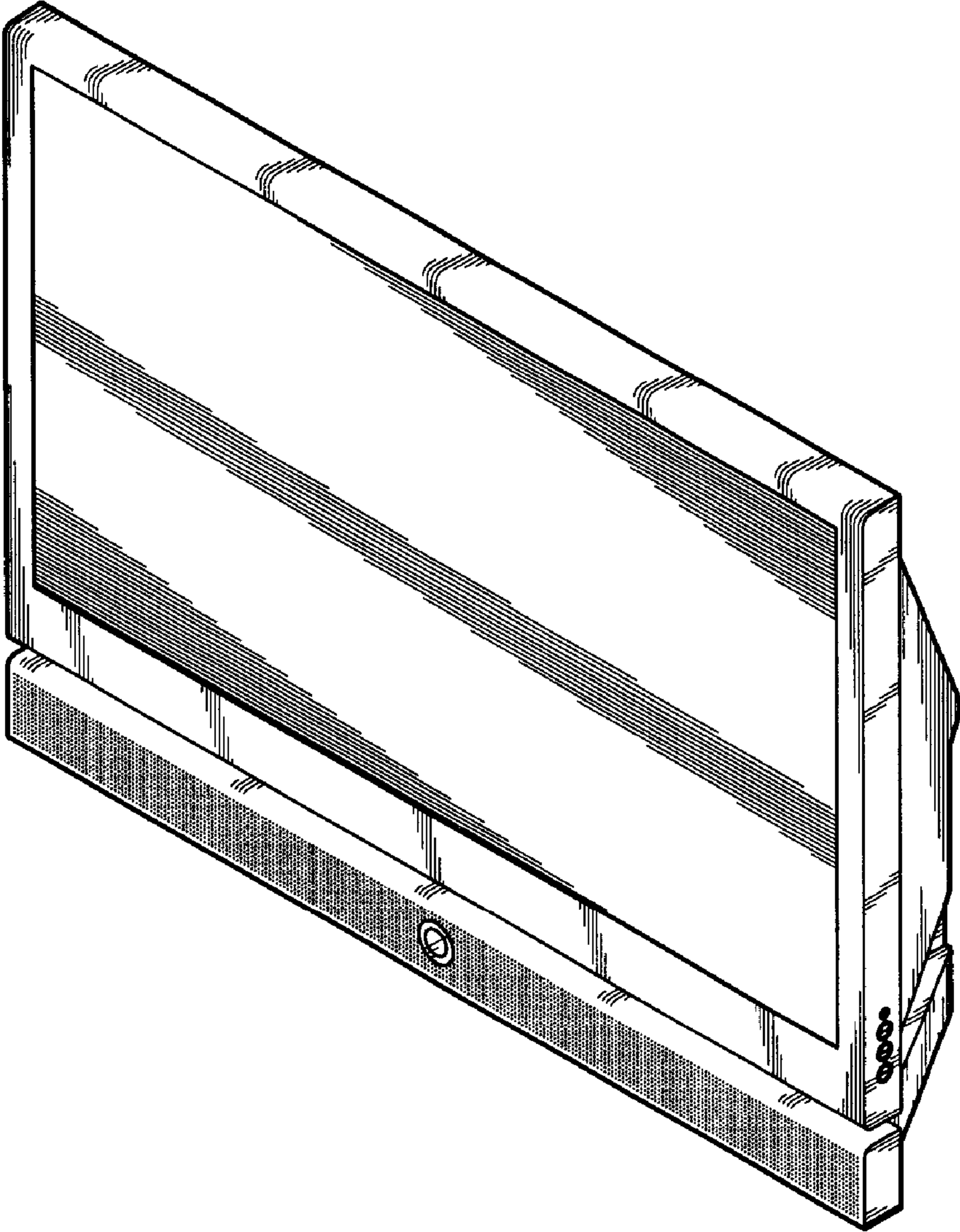


FIG. 1

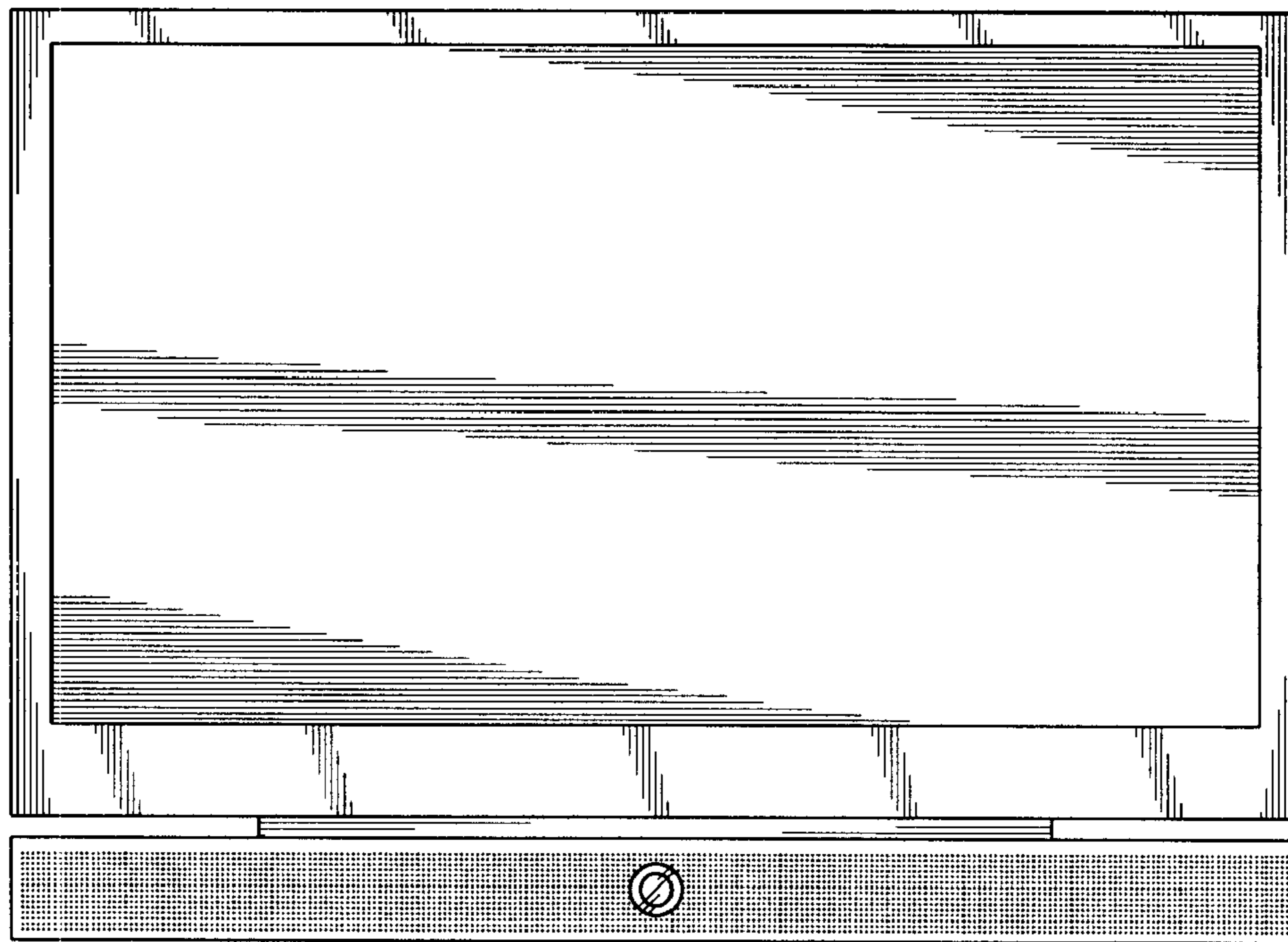


FIG. 2

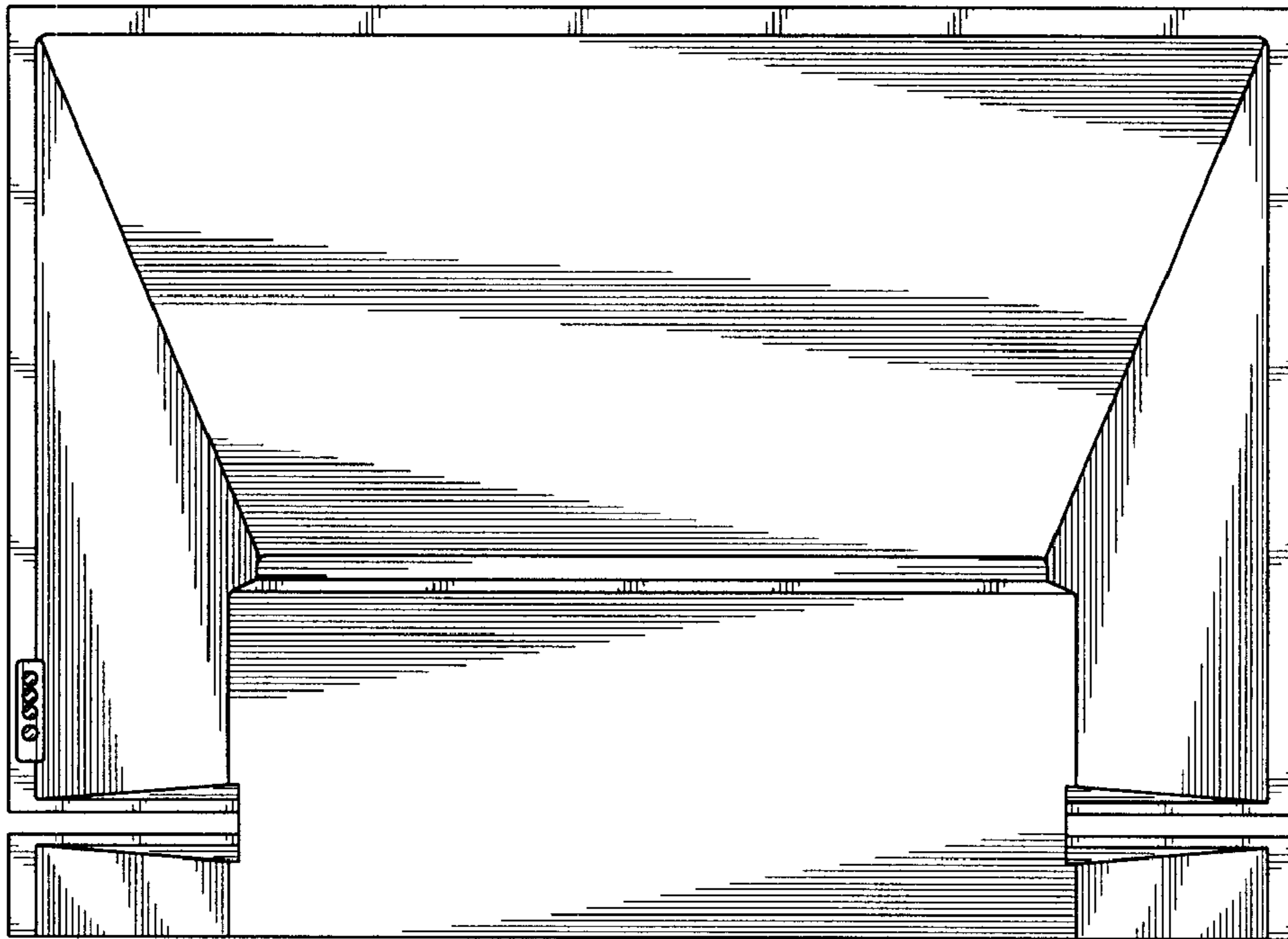


FIG.3

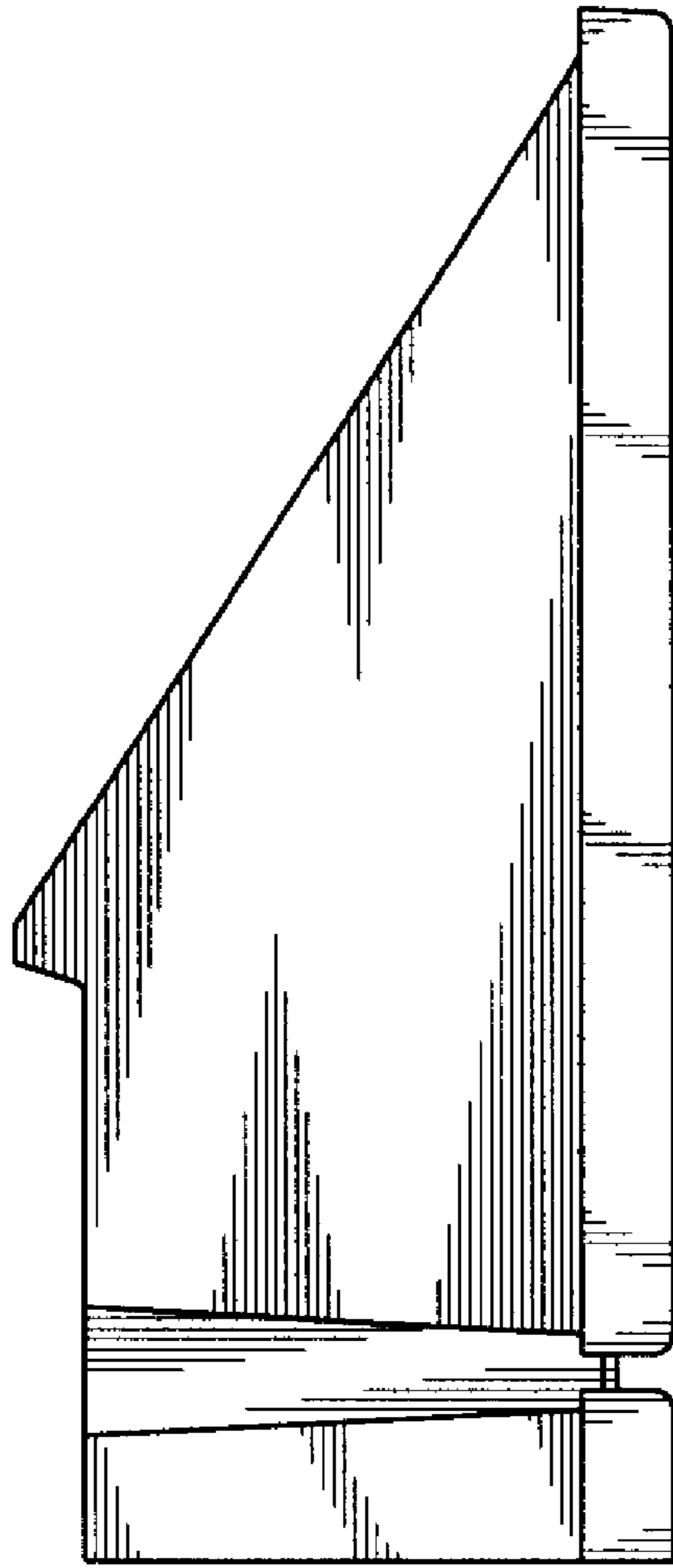


FIG. 4

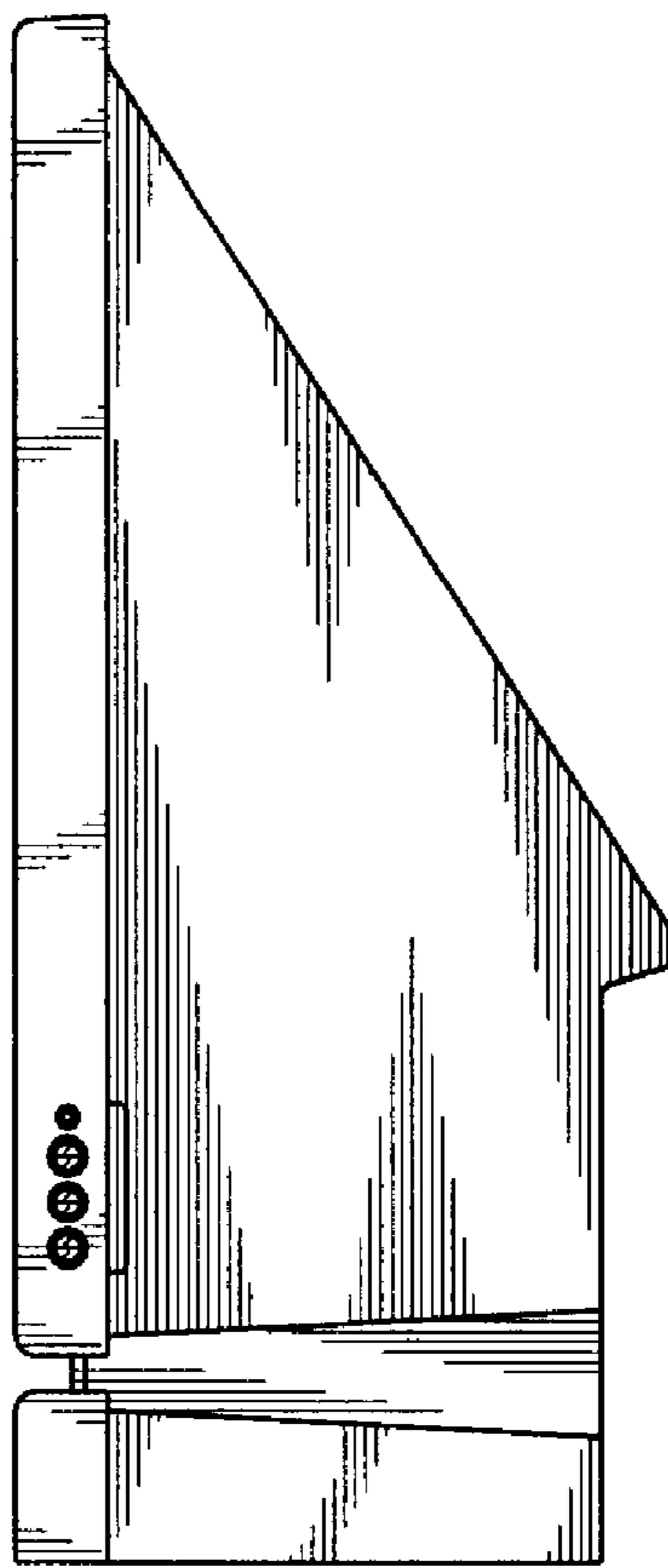


FIG. 5

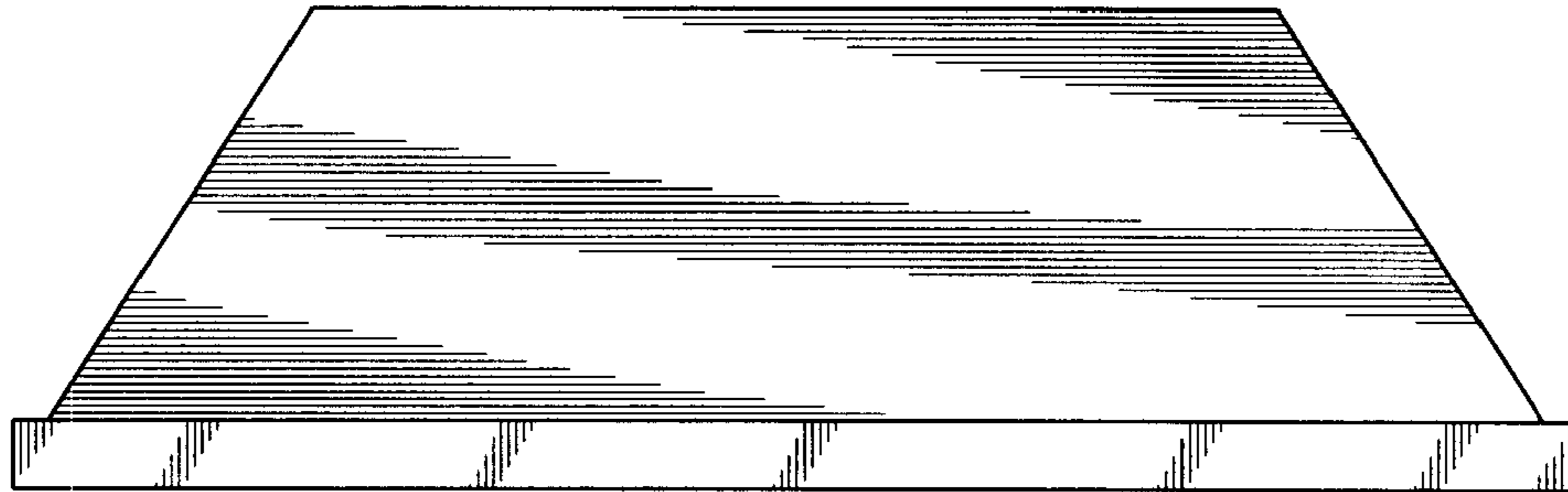


FIG. 6

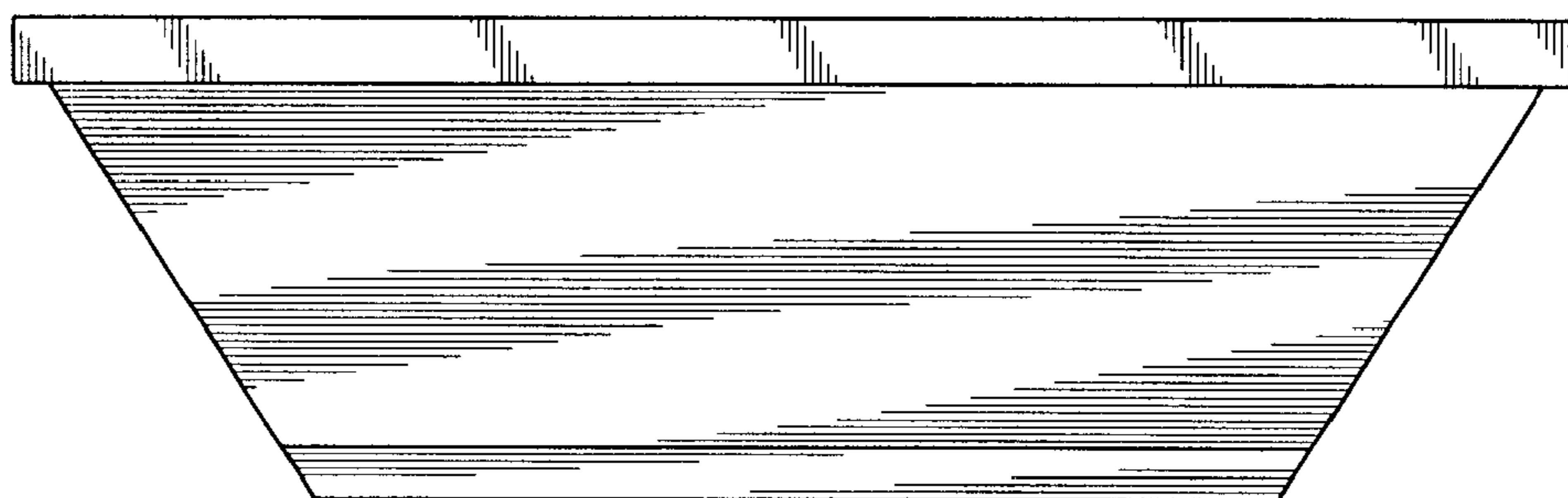


FIG. 7