



US00D532760S

(12) **United States Design Patent** (10) **Patent No.:** **US D532,760 S**  
**Chia** (45) **Date of Patent:** **\*\* Nov. 28, 2006**

(54) **TELEVISION SET**  
(75) Inventor: **Benjamin Chia**, Cupertino, CA (US)  
(73) Assignee: **Hannspree, Inc.**, Taipei (TW)  
(\*\*) Term: **14 Years**

D446,193 S \* 8/2001 Lavelle et al. .... D14/126  
D449,610 S \* 10/2001 Chen ..... D14/374  
D454,352 S \* 3/2002 Love et al. .... D14/450  
D467,920 S \* 12/2002 Chen et al. .... D14/375  
D468,738 S \* 1/2003 Lin ..... D14/371  
D469,431 S \* 1/2003 Lin ..... D14/375  
D470,489 S \* 2/2003 Lin ..... D14/375  
6,661,474 B1 \* 12/2003 Hung ..... 348/836

(21) Appl. No.: **29/238,023**  
(22) Filed: **Sep. 12, 2005**  
(30) **Foreign Application Priority Data**

Jul. 21, 2005 (TW) ..... 94304385

(51) **LOC (8) Cl.** ..... **14-03**  
(52) **U.S. Cl.** ..... **D14/126**  
(58) **Field of Classification Search** ..... D14/125-134,  
D14/239, 371, 136, 374-377; 312/7.2; 348/836,  
348/838, 180, 184, 325, 739; 341/12; 248/917-924,  
248/465; 345/104, 133, 156, 168, 87, 173;  
720/605, 669, 600, 655; 369/99, 197; 455/344-347  
See application file for complete search history.

(56) **References Cited**

**U.S. PATENT DOCUMENTS**

D350,346 S \* 9/1994 Takemasa et al. .... D14/126  
D356,081 S \* 3/1995 Naito et al. .... D14/129  
D410,447 S \* 6/1999 Chang ..... D14/126

\* cited by examiner

*Primary Examiner*—Raphael Barkai  
(74) *Attorney, Agent, or Firm*—Troxell Law Office, PLLC

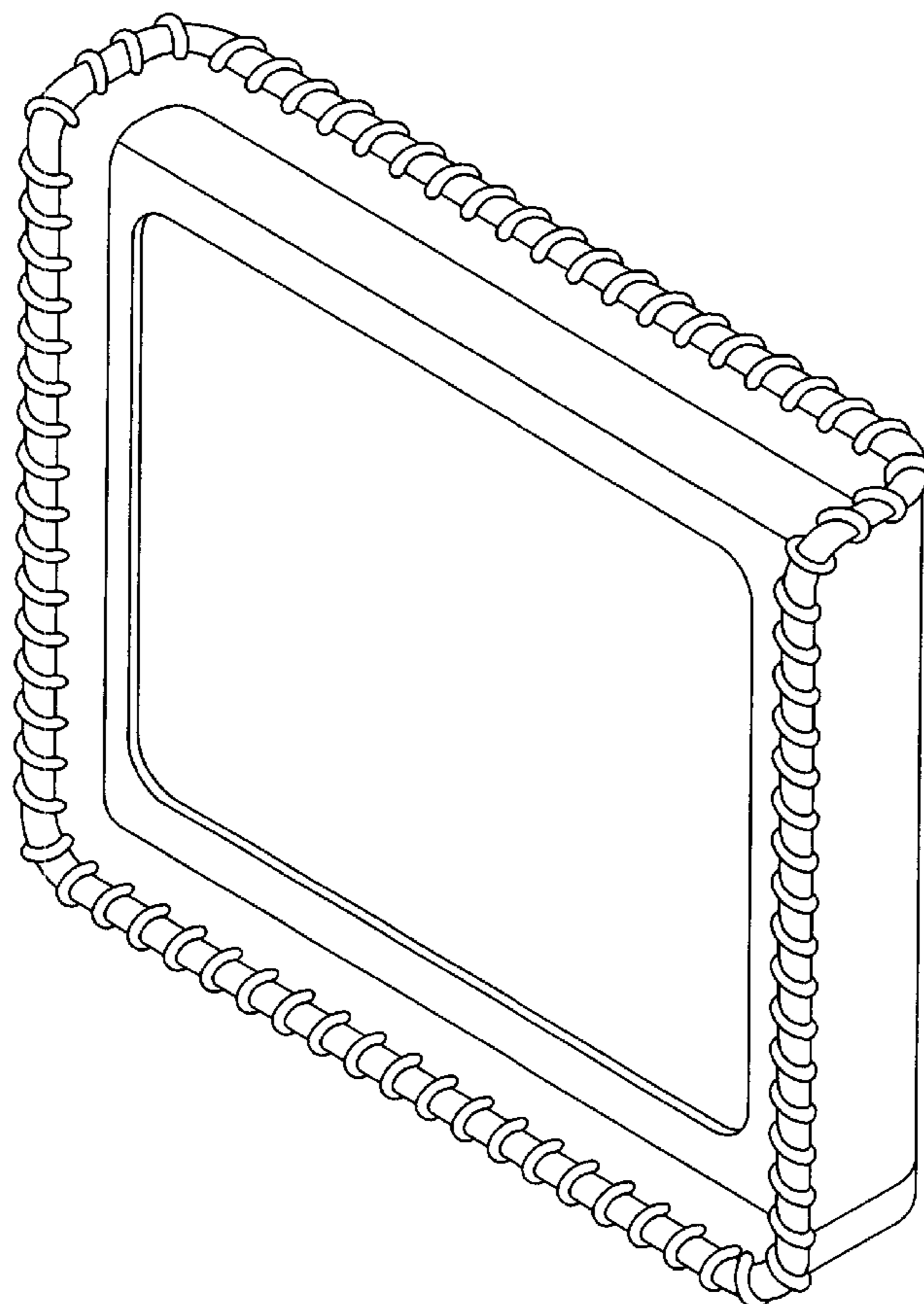
(57) **CLAIM**

The ornamental design for a television set, as shown and described.

**DESCRIPTION**

FIG. 1 is a perspective view of television set showing my design;  
FIG. 2 is front view thereof;  
FIG. 3 is a right side view thereof;  
FIG. 4 is a top view thereof;  
FIG. 5 is a bottom view thereof;  
FIG. 6 is a rear view thereof; and,  
FIG. 7 is a left side view thereof.

**1 Claim, 4 Drawing Sheets**



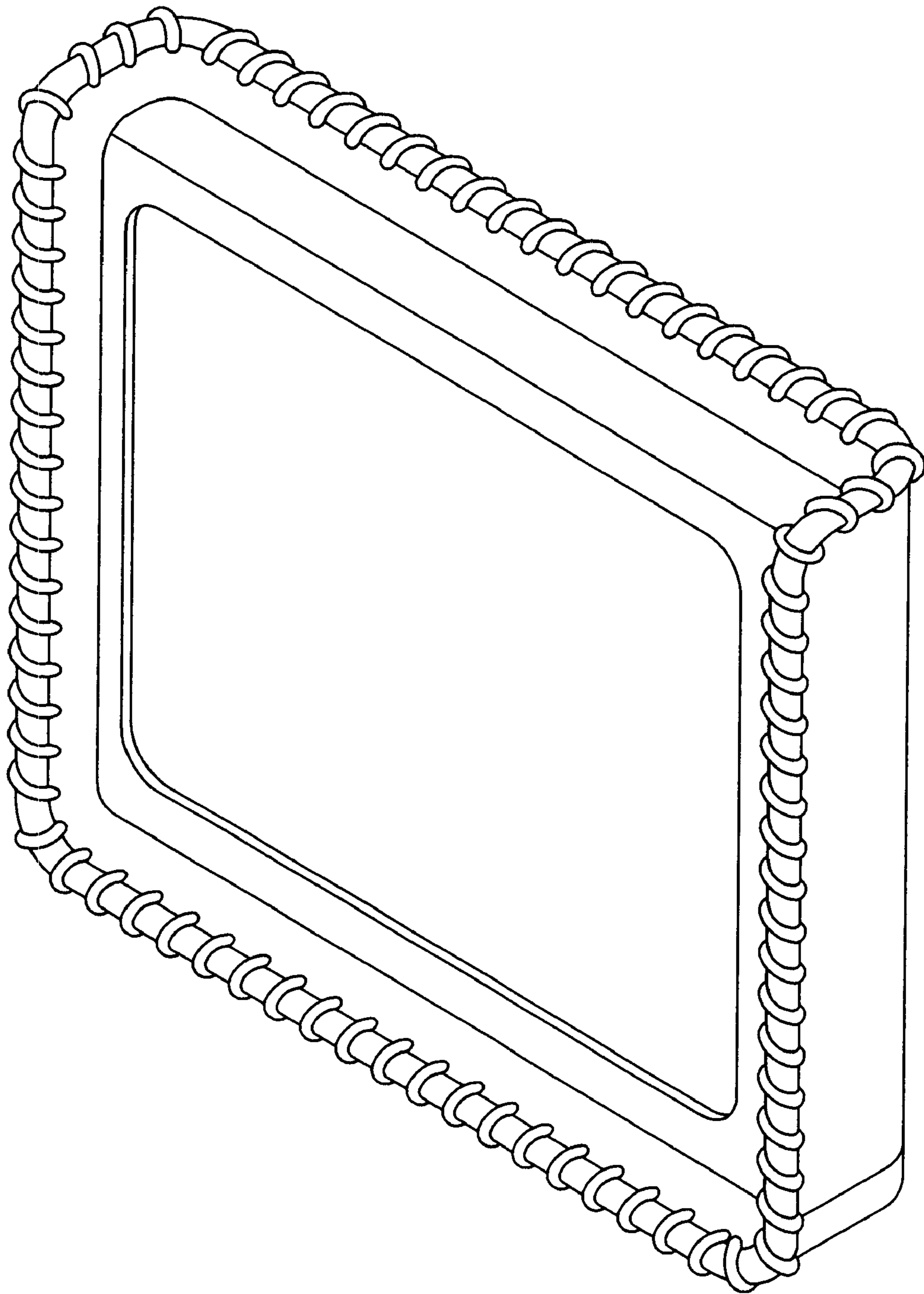


FIG. 1

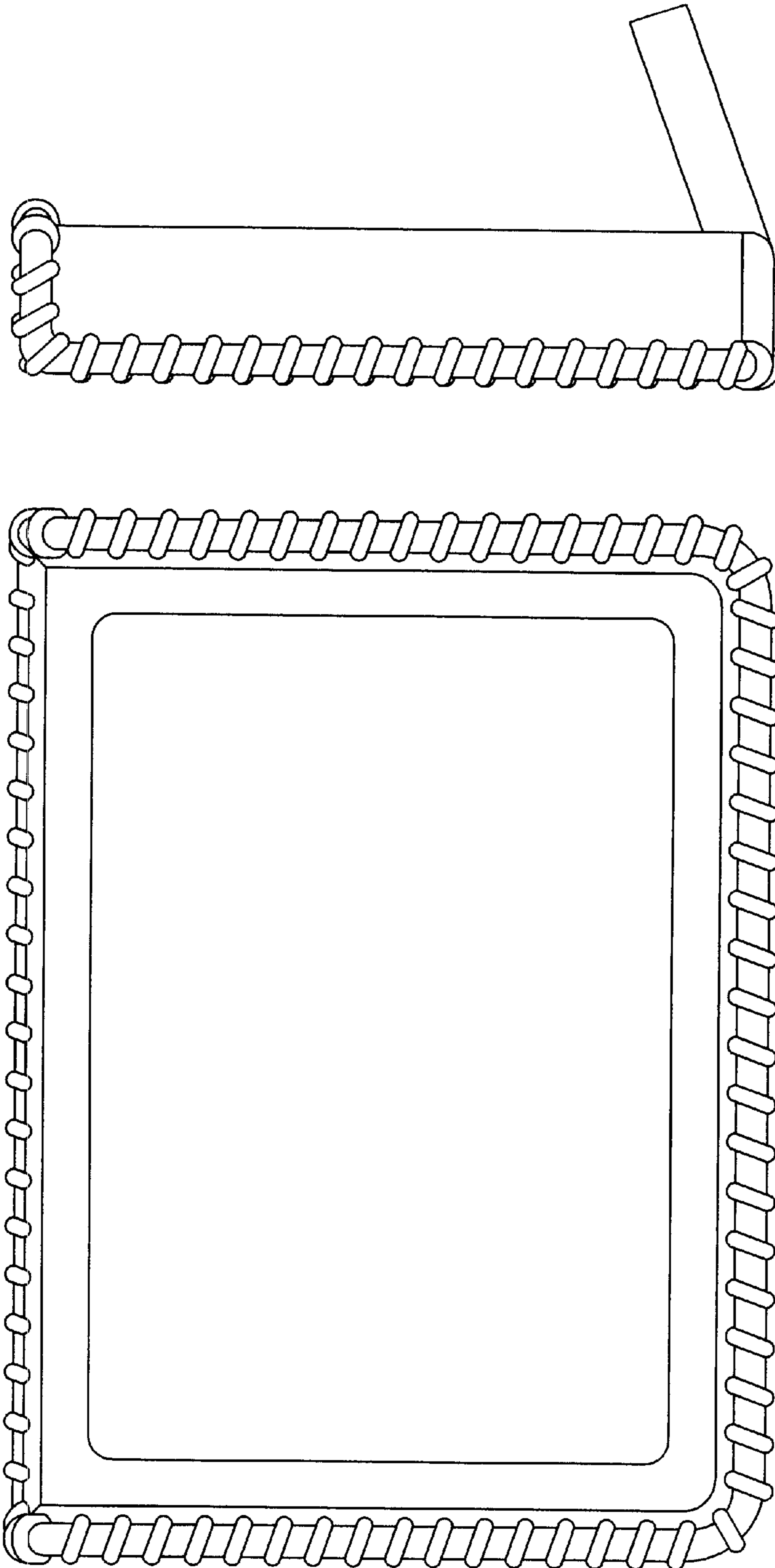


FIG. 3

FIG. 2

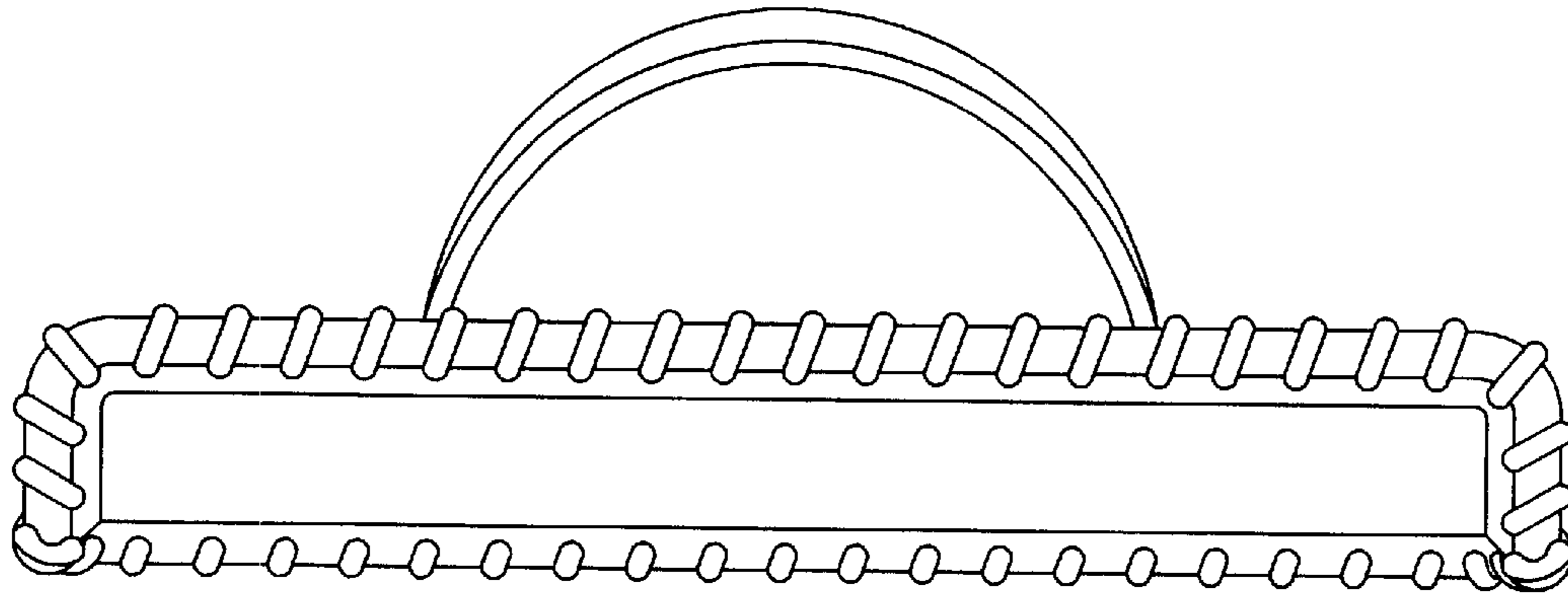


FIG. 4

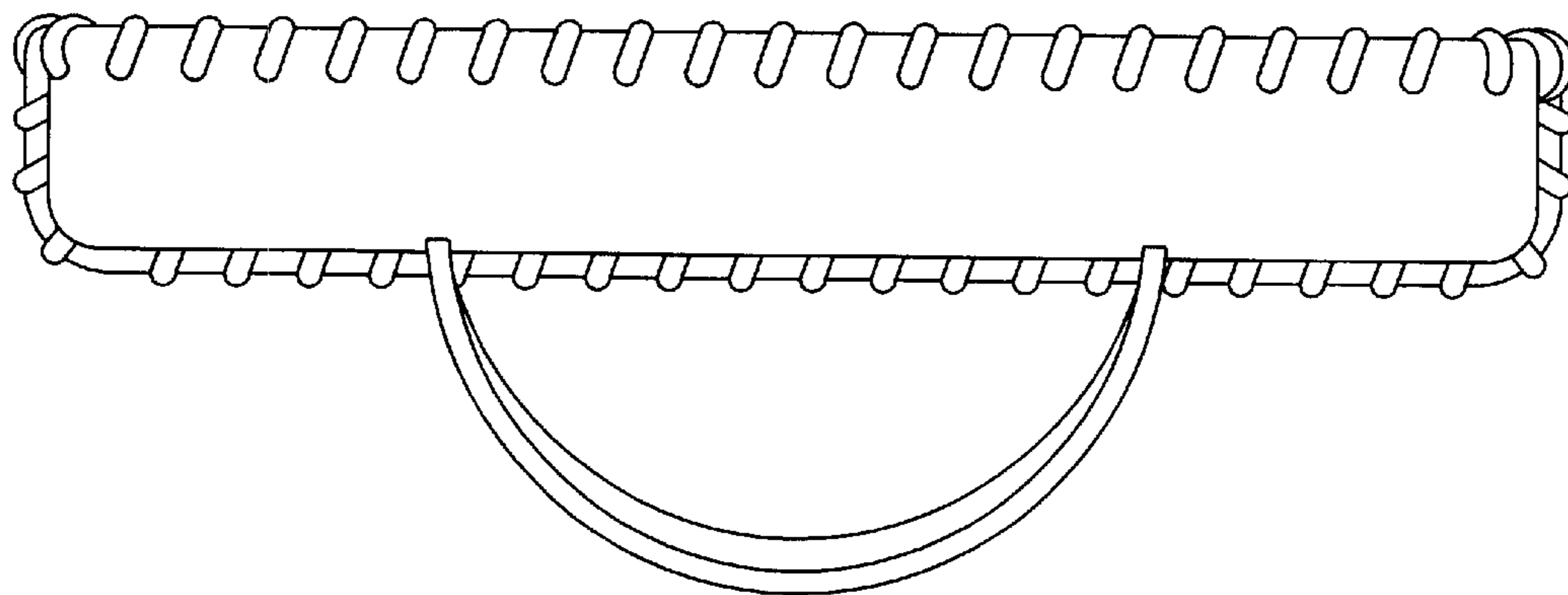


FIG. 5

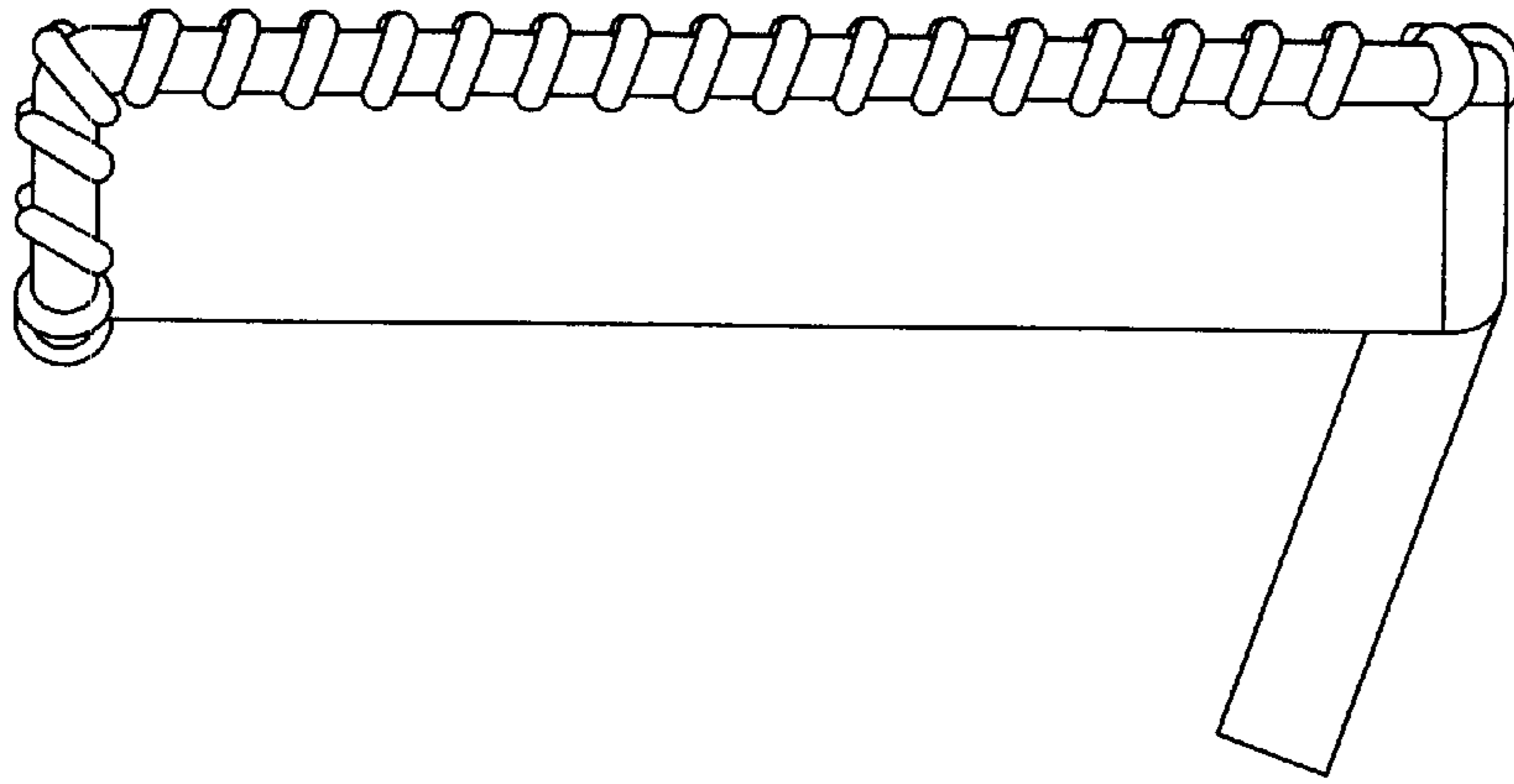


FIG. 7

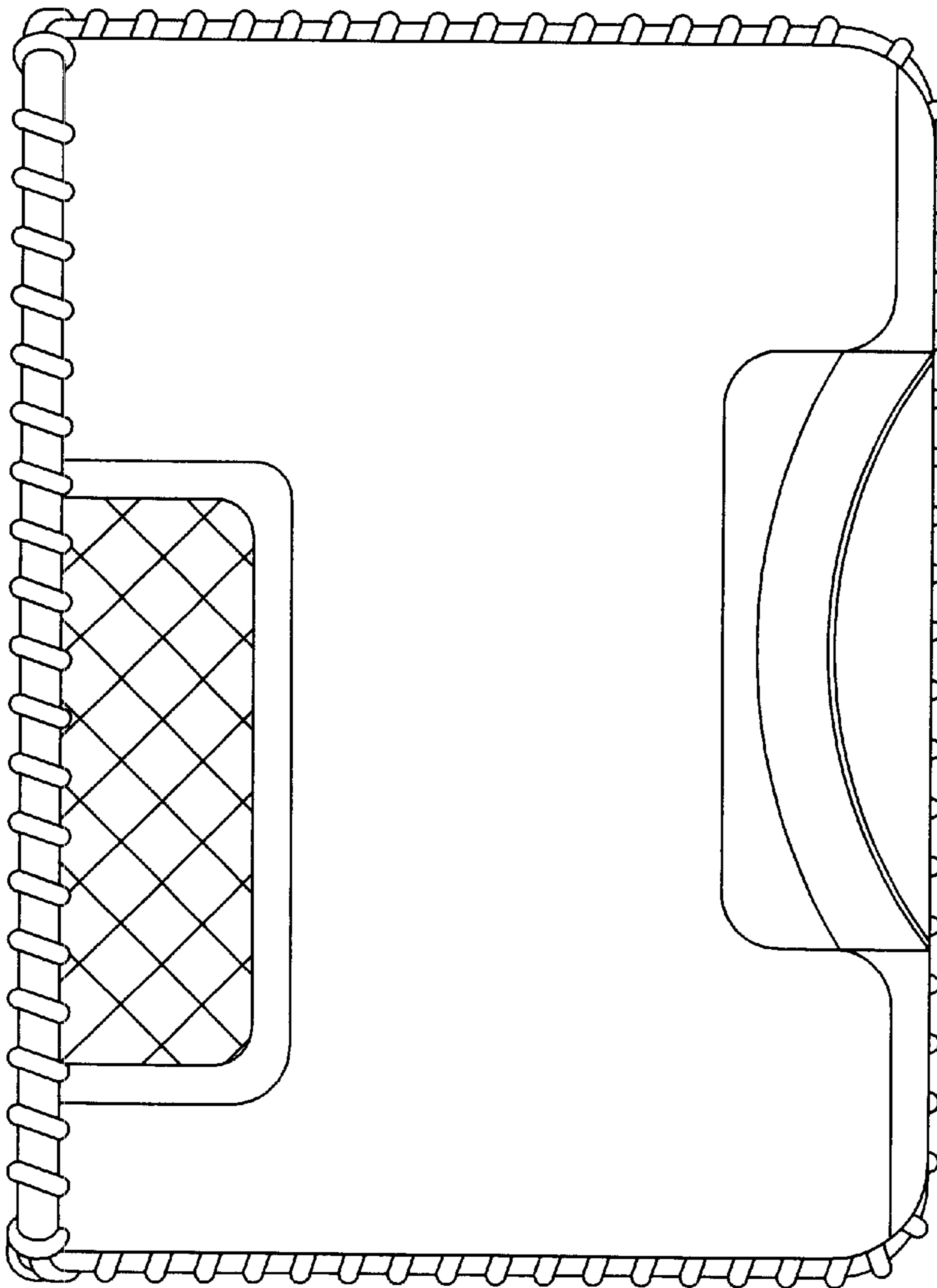


FIG. 6