



US00D532759S

(12) **United States Design Patent**
Park

(10) **Patent No.:** **US D532,759 S**

(45) **Date of Patent:** **** Nov. 28, 2006**

(54) **LCD TV MONITOR**

(75) **Inventor:** **Ji Yen Park**, Seoul (KR)

(73) **Assignee:** **LG Electronics Inc.**, Seoul (KR)

(**) **Term:** **14 Years**

(21) **Appl. No.:** **29/212,582**

(22) **Filed:** **Sep. 7, 2004**

(51) **LOC (8) Cl.** **14-03**

(52) **U.S. Cl.** **D14/126**

(58) **Field of Classification Search** D14/125-134,
D14/239, 371, 374-376; 312/7.2; 348/836,
348/838, 180, 184, 325, 739; 341/12; 248/917-924;
345/104, 133, 156, 168, 87, 173
See application file for complete search history.

(56) **References Cited**

U.S. PATENT DOCUMENTS

D408,416 S	*	4/1999	Fenner et al.	D14/239
D472,532 S	*	4/2003	Niitsu	D14/126
D474,453 S	*	5/2003	Kanatani	D14/126
D498,217 S	*	11/2004	Kim et al.	D14/126

D501,186 S	*	1/2005	Kita	D14/126
D508,470 S	*	8/2005	Inoue et al.	D14/126
D509,197 S	*	9/2005	Asawa et al.	D14/126
D510,730 S	*	10/2005	Asanuma et al.	D14/126

* cited by examiner

Primary Examiner—Raphael Barkai

Assistant Examiner—Randall H. Gholson

(74) *Attorney, Agent, or Firm*—Birch, Stewart, Kolasch & Birch, LLP

(57) **CLAIM**

The ornamental design for a LCD TV monitor, as shown and described.

DESCRIPTION

FIG. 1 is a perspective view of a LCD TV monitor showing my new design;

FIG. 2 is a front view thereof;

FIG. 3 is a rear view thereof;

FIG. 4 is a left side view thereof;

FIG. 5 is a right side view thereof;

FIG. 6 is a top plan view thereof; and,

FIG. 7 is a bottom plan view thereof.

1 Claim, 6 Drawing Sheets

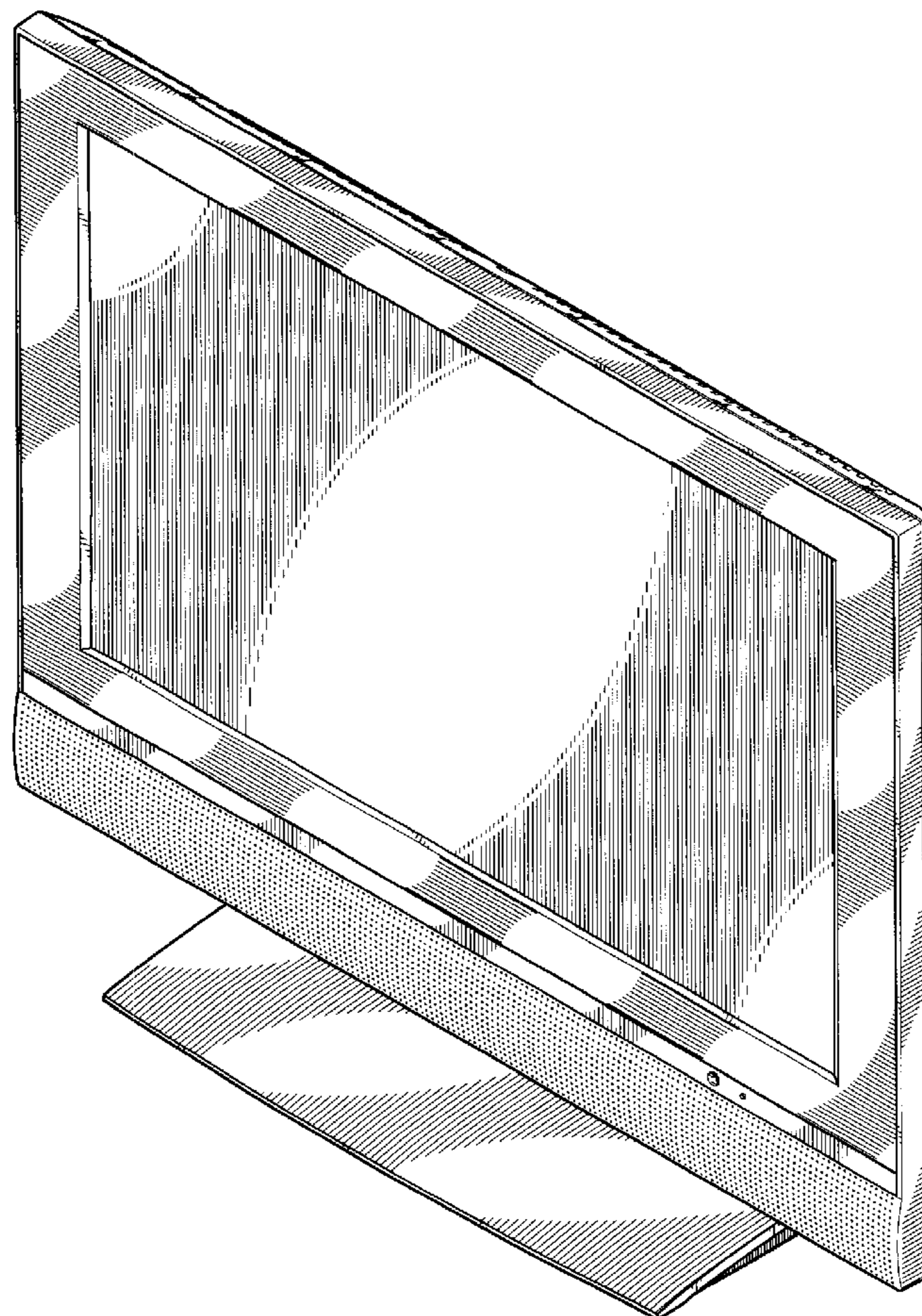


FIG. 1

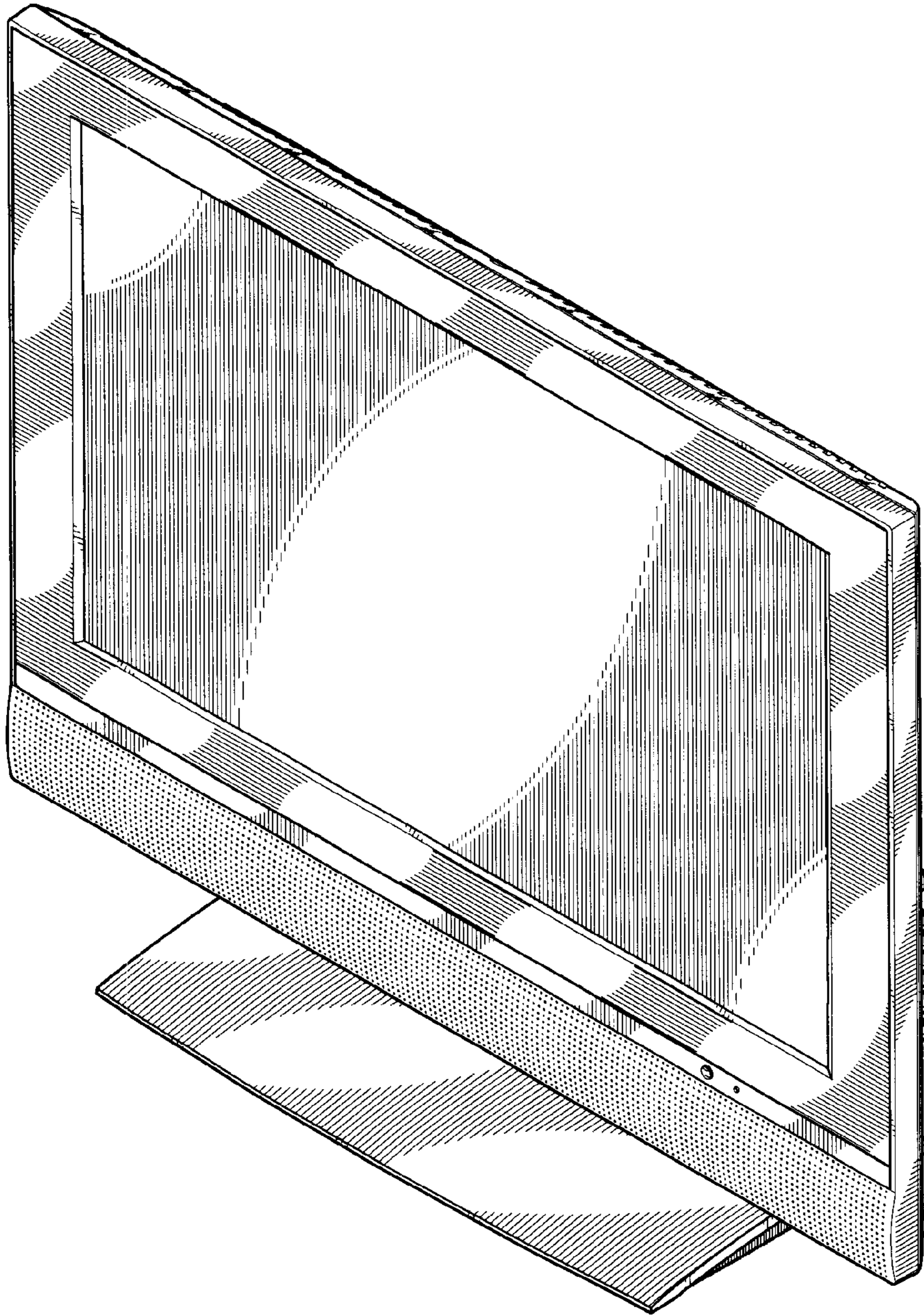


FIG. 2

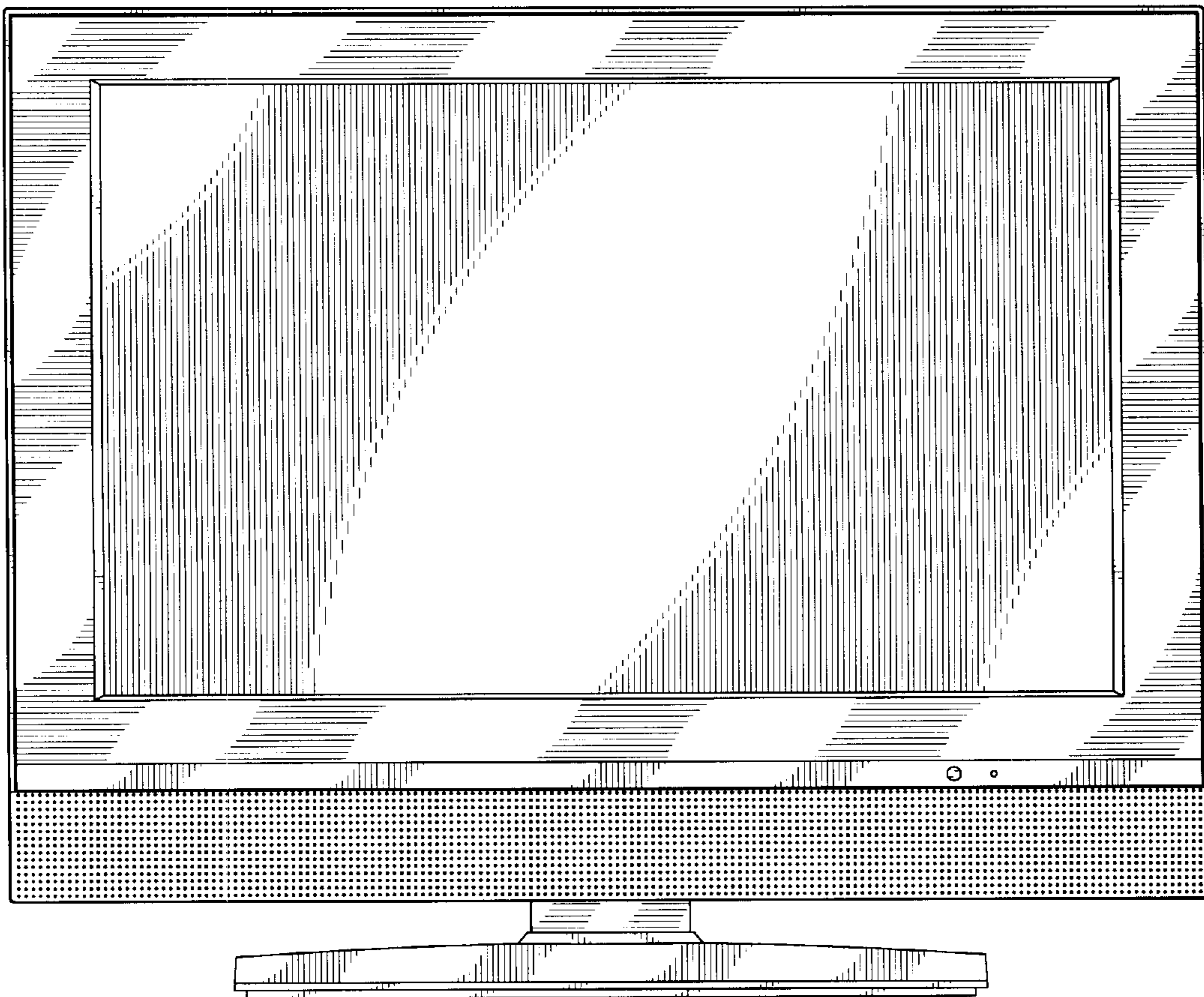


FIG. 3

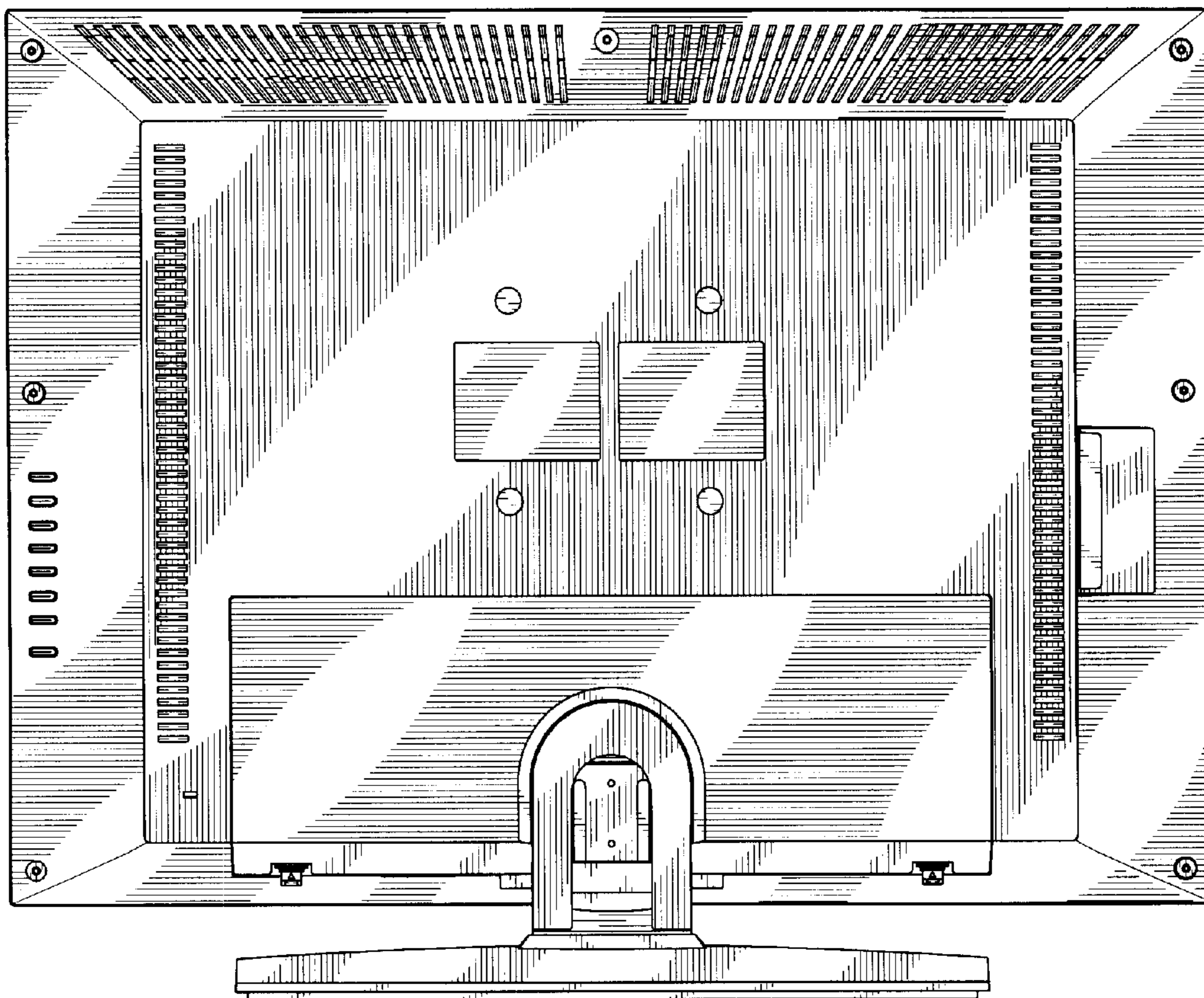


FIG. 4

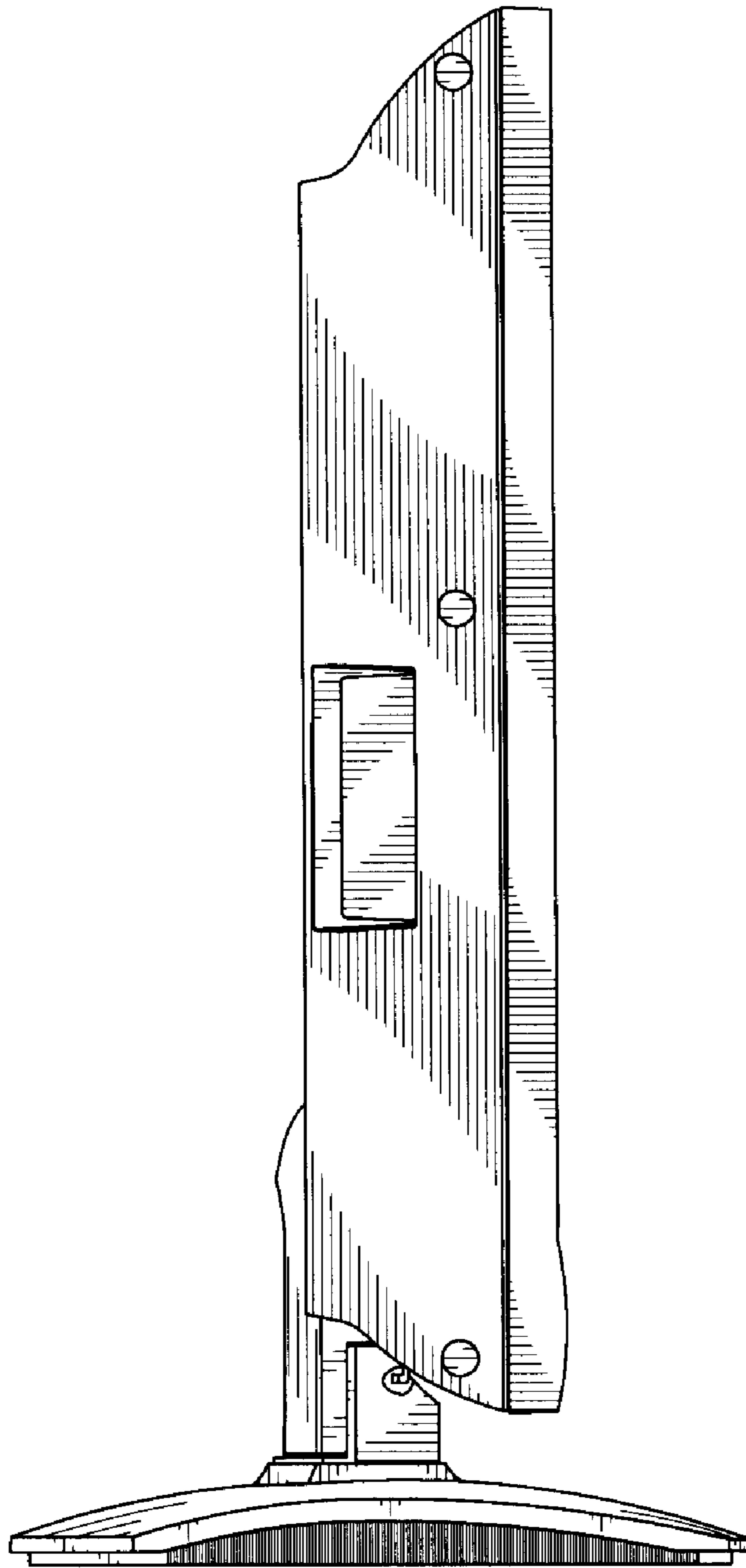


FIG. 5

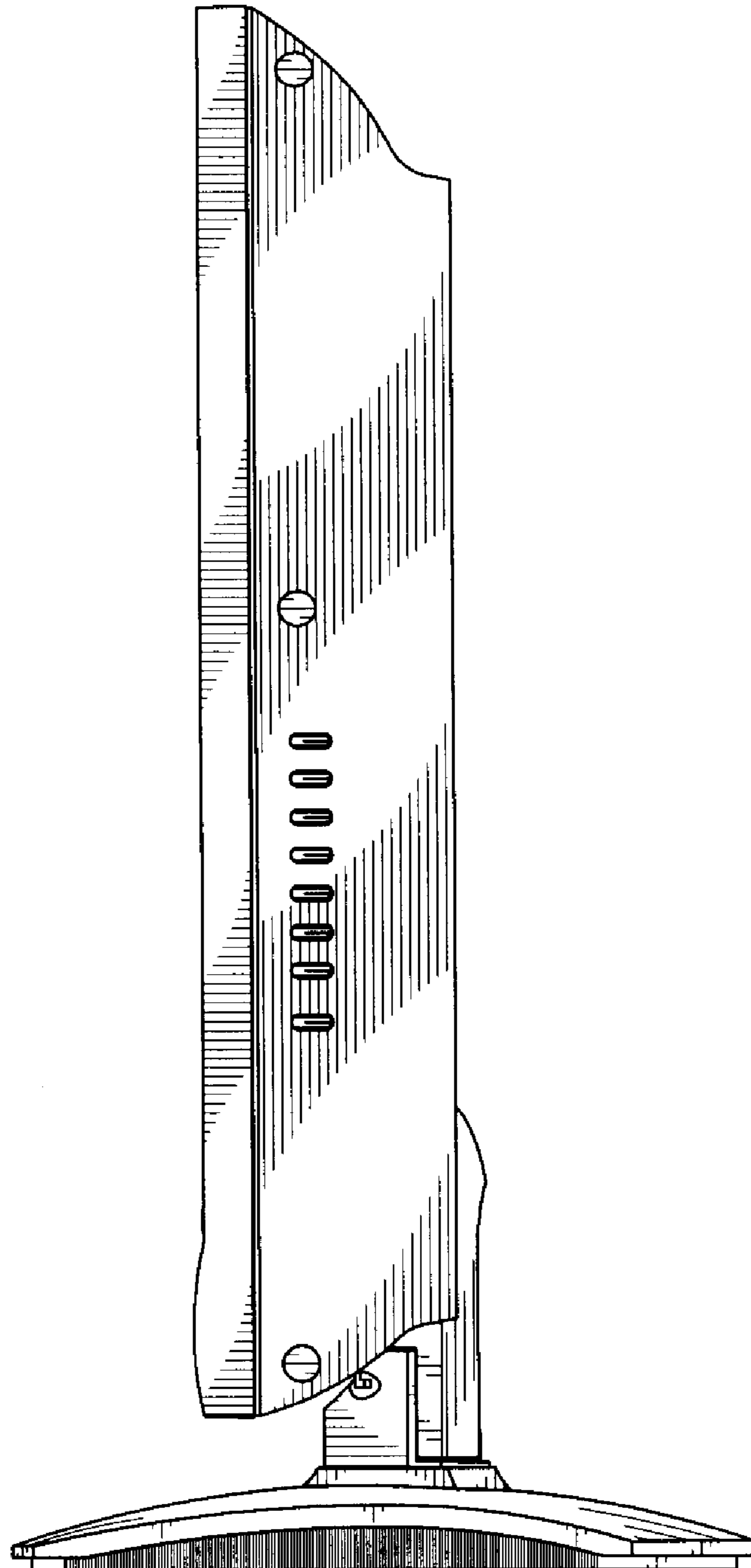


FIG. 6

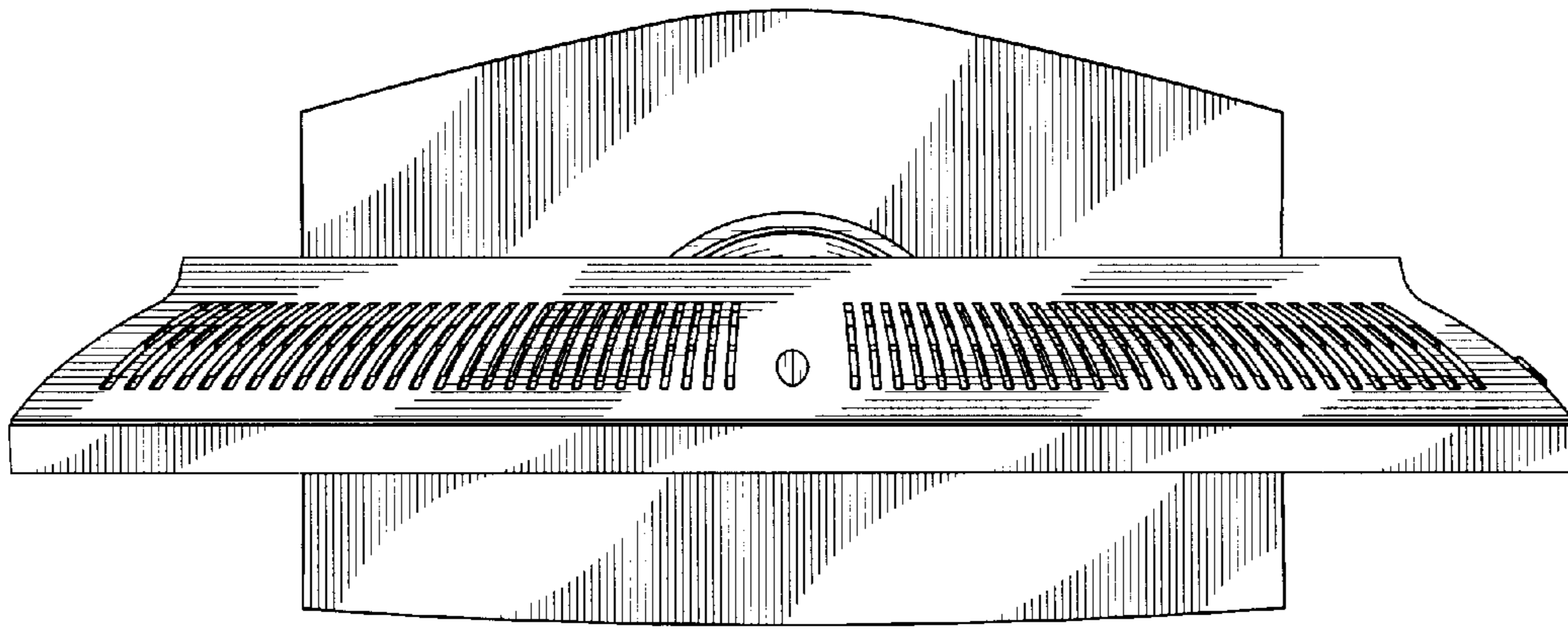


FIG. 7

