



US00D532753S

(12) **United States Design Patent** (10) **Patent No.:** **US D532,753 S**
So (45) **Date of Patent:** **** Nov. 28, 2006**

(54) **TRANSMITTER FOR ELECTRONIC FENCE SYSTEM**

(76) Inventor: **Ho Yun So**, 8-1006 Kwangjang Apt.,
28, Youido-dong, Yongdungpo-gu, Seoul
150-762 (KR)

(**) Term: **14 Years**

(21) Appl. No.: **29/199,221**

(22) Filed: **Feb. 10, 2004**

(51) **LOC (8) Cl.** **13-03**

(52) **U.S. Cl.** **D13/162**

(58) **Field of Classification Search** D13/162;
D10/104, 106; 119/719, 720, 721; 340/540,
340/551, 561, 573.1, 573.3
See application file for complete search history.

(56) **References Cited**

U.S. PATENT DOCUMENTS

D253,768 S	*	12/1979	Weitz	D13/162
5,603,287 A	*	2/1997	Houck	119/719
D423,971 S	*	5/2000	Elbinger	D10/106
6,191,693 B1	*	2/2001	Sangsingkeow	340/73.3
D439,708 S		3/2001	Jenkins	D30/152

D440,509 S		4/2001	Greene	D10/104
D482,630 S		11/2003	So	D10/104
2001/0035134 A1	*	11/2001	Stapelfeld et al.	119/720
2005/0139169 A1	*	6/2005	So	119/721
2005/0172912 A1	*	8/2005	Crist et al.	119/720
2005/0211187 A1	*	9/2005	Harman et al.	119/721

* cited by examiner

Primary Examiner—Selina Sikder

(74) *Attorney, Agent, or Firm*—Sheridan Ross P.C.

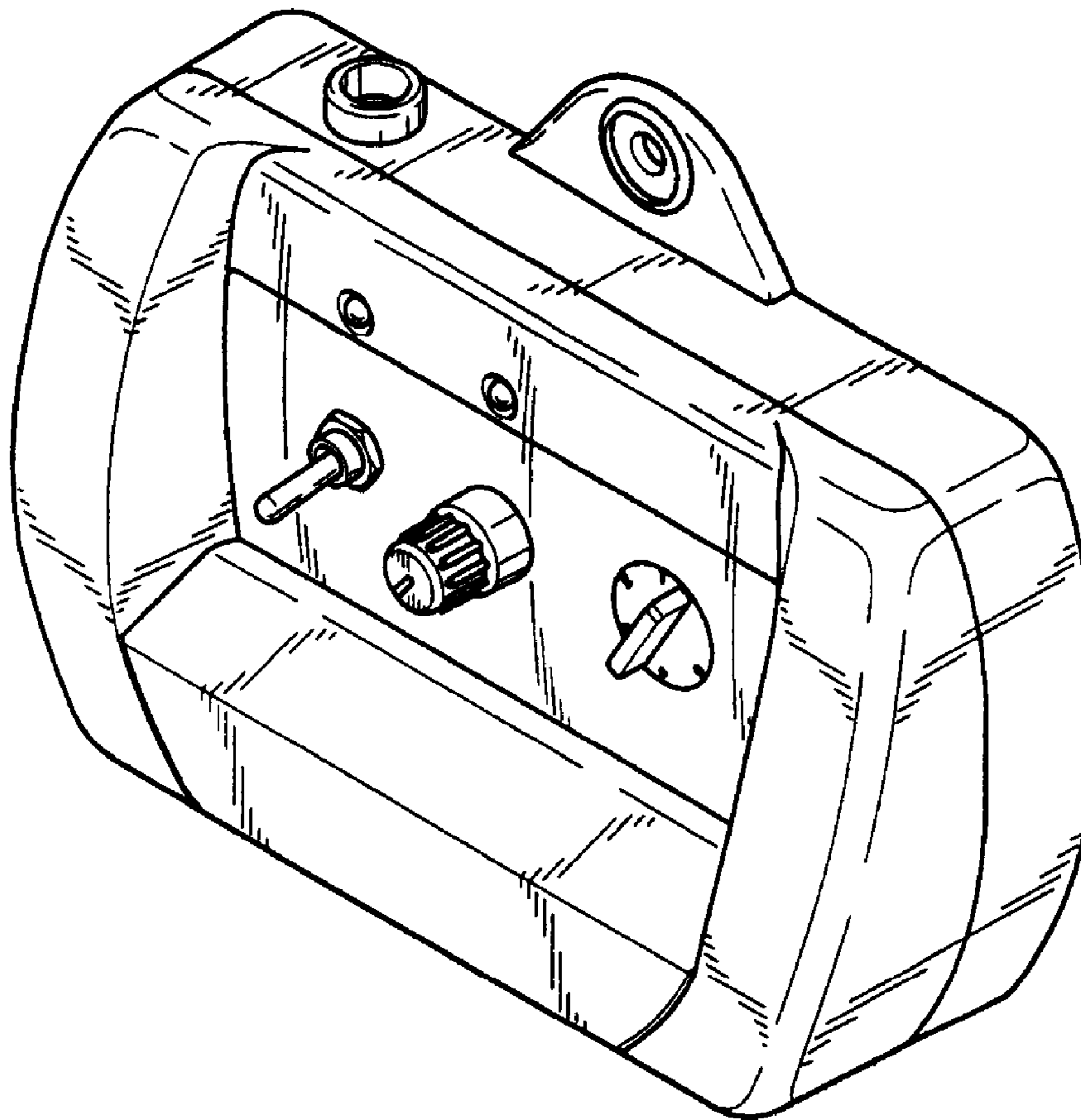
(57) **CLAIM**

The ornamental design for a transmitter for electronic fence system, as shown and described.

DESCRIPTION

FIG. 1 is a perspective view of a transmitter for electronic fence system showing our new design; FIG. 2 is a front elevational view thereof; FIG. 3 is a rear elevational view thereof; FIG. 4 is a left side elevational view thereof; FIG. 5 is a right side elevational view thereof; FIG. 6 is a top plan view thereof; and, FIG. 7 is a bottom plan view thereof.

1 Claim, 4 Drawing Sheets



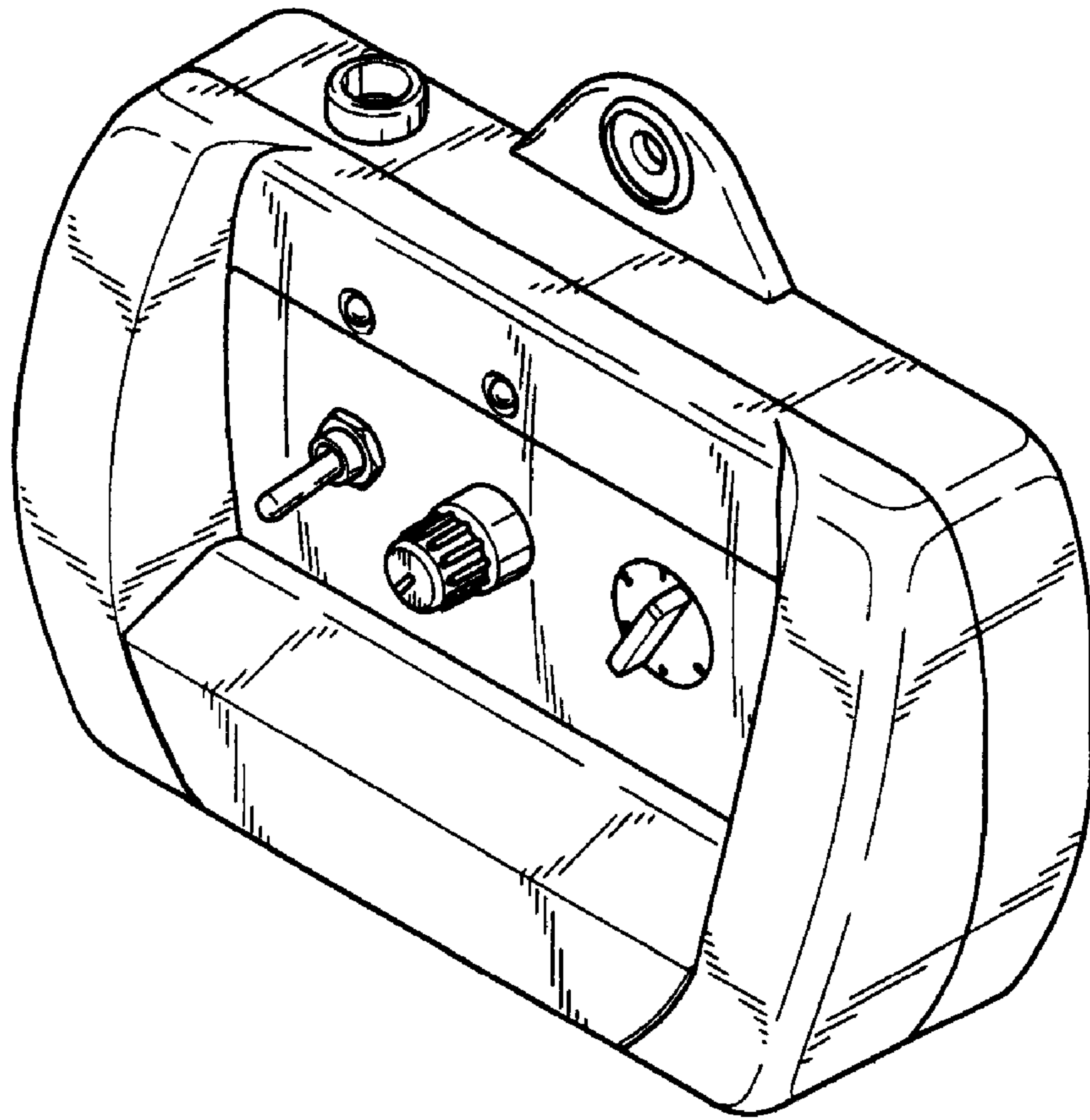


Fig. 1

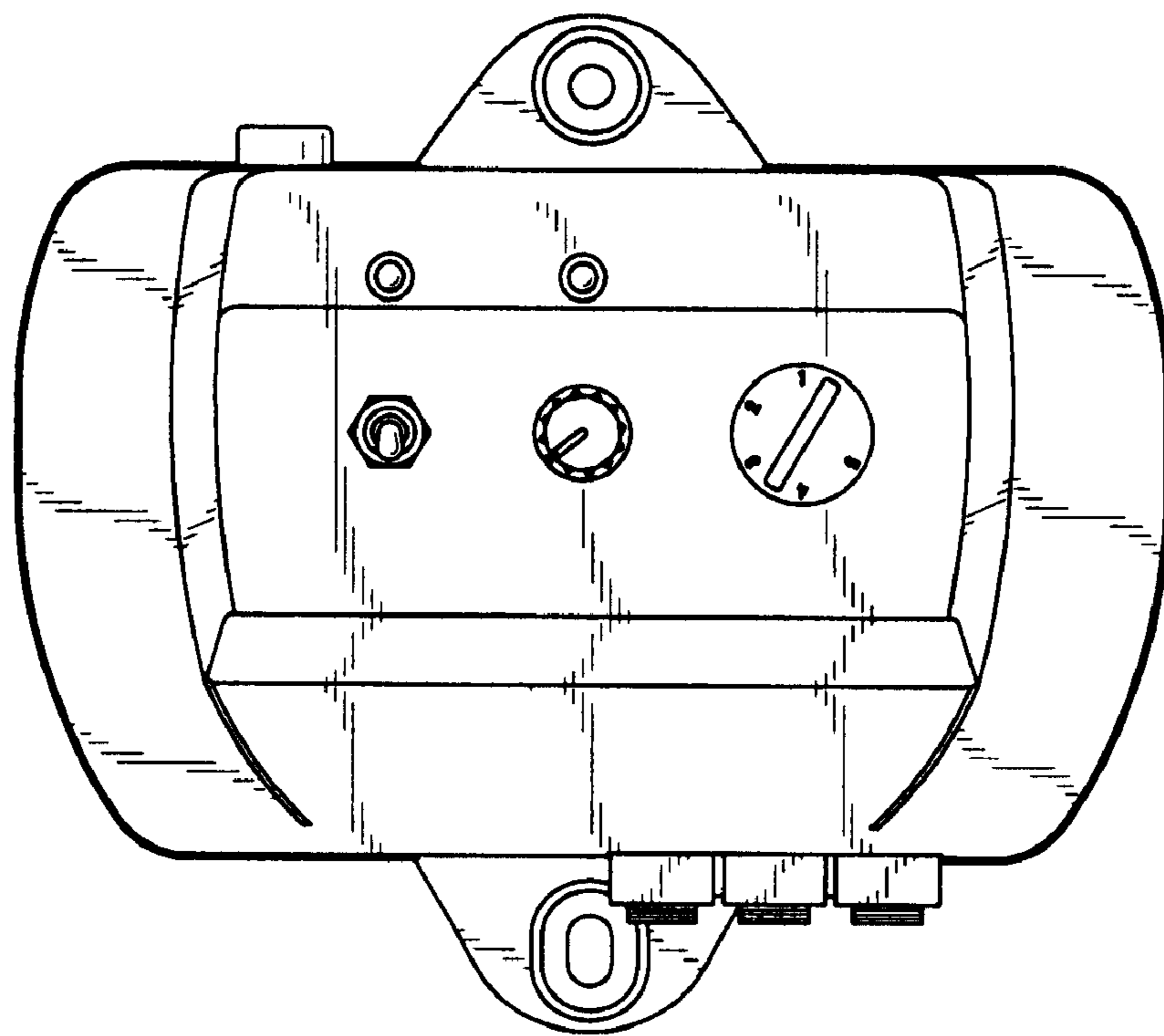


Fig. 2

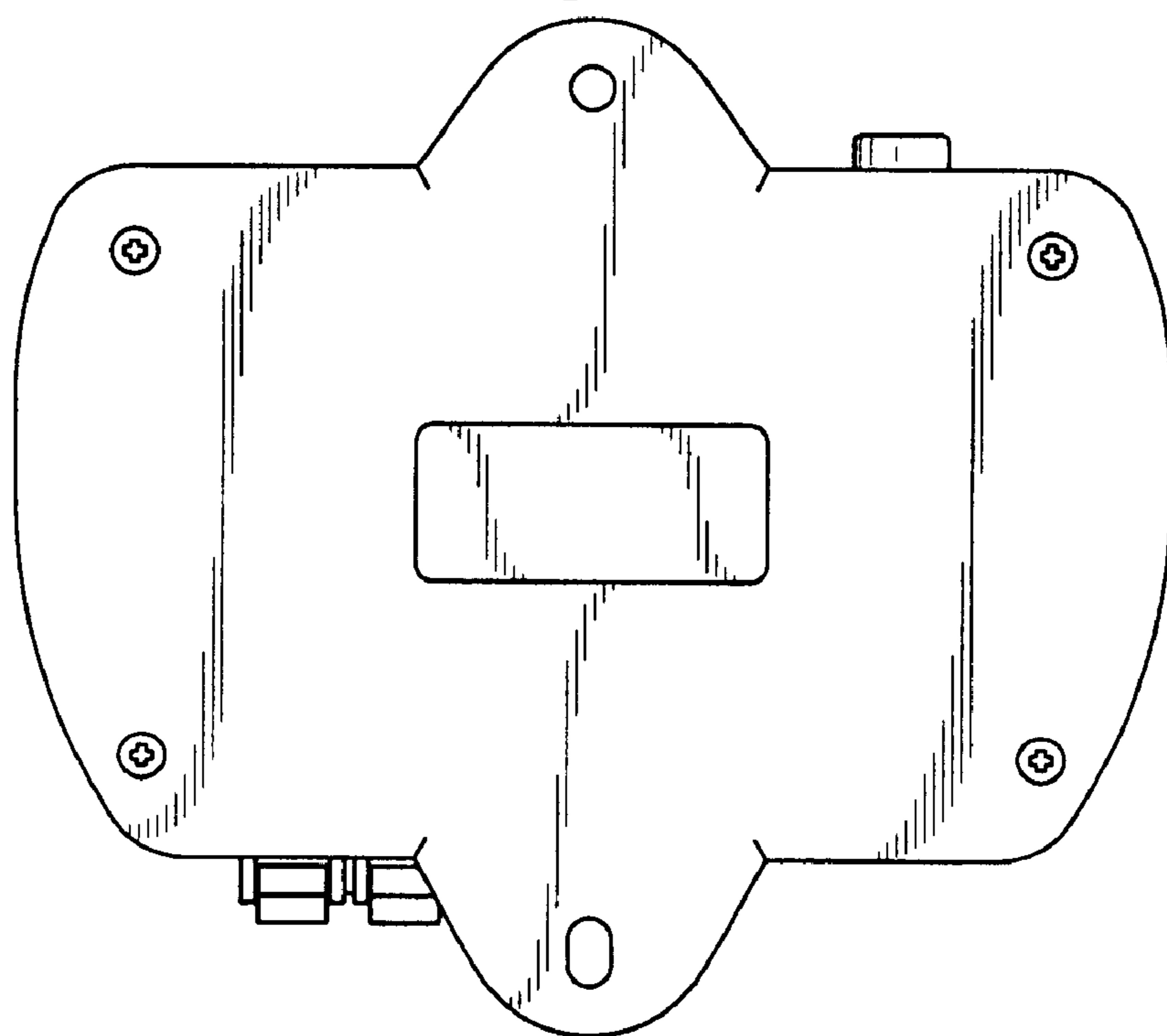


Fig. 3

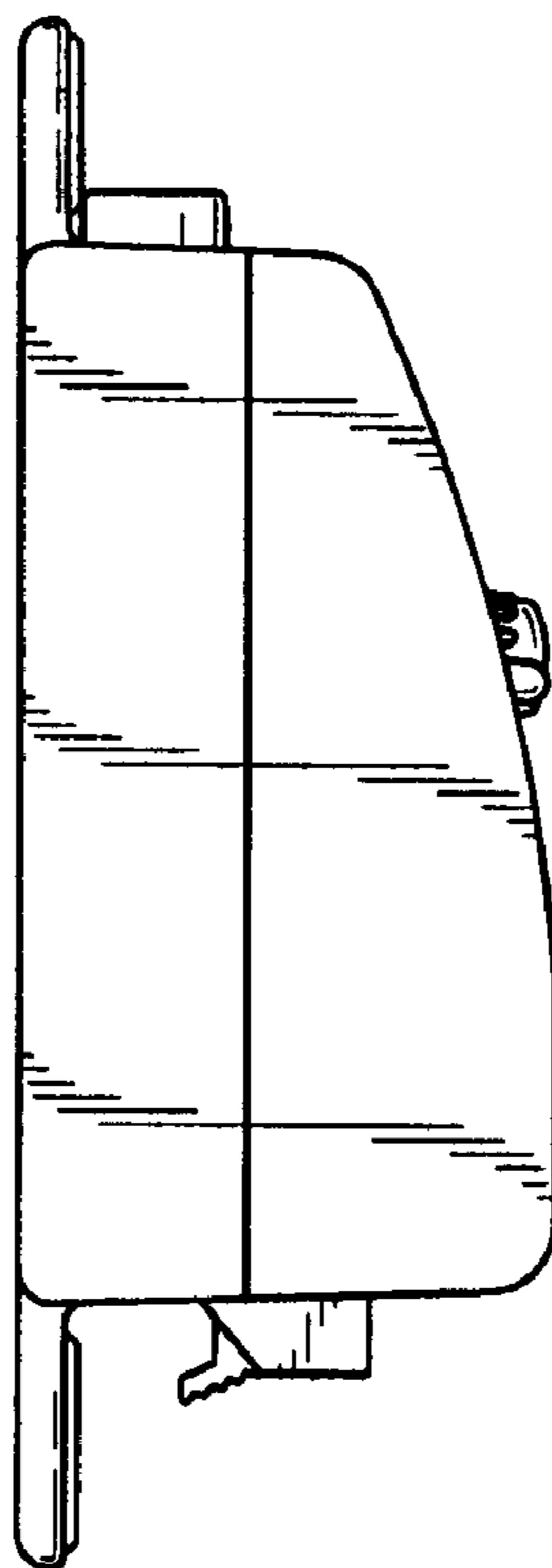


Fig. 4

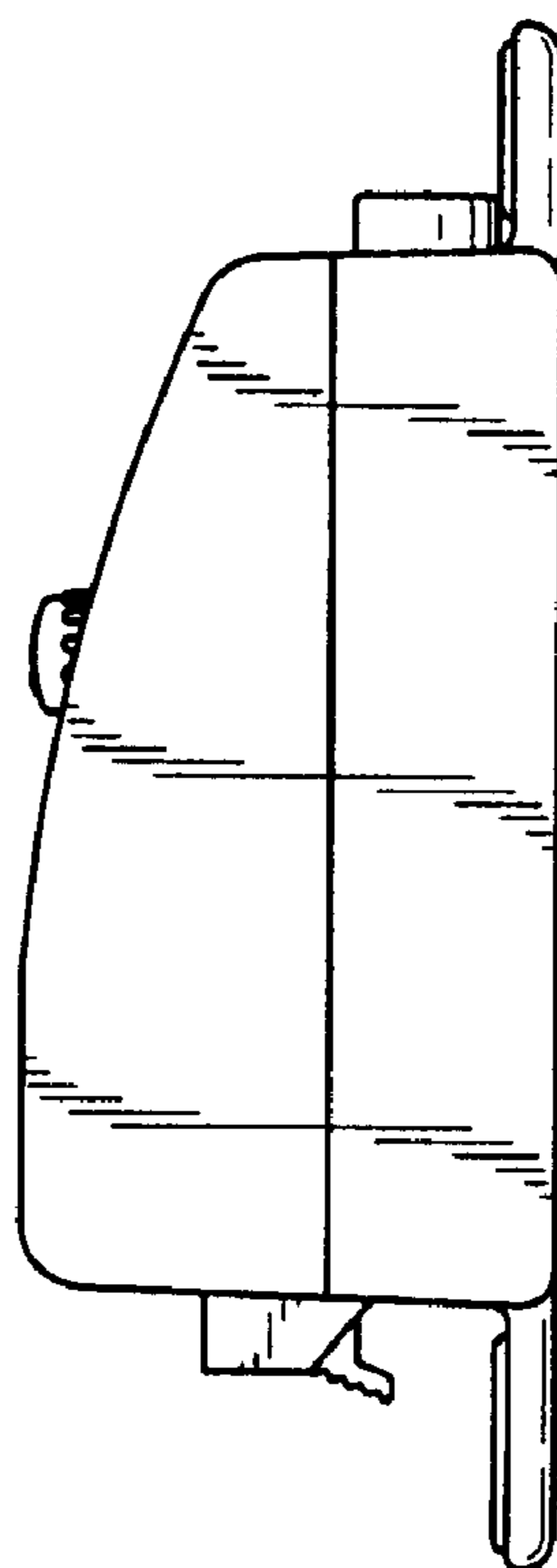


Fig. 5

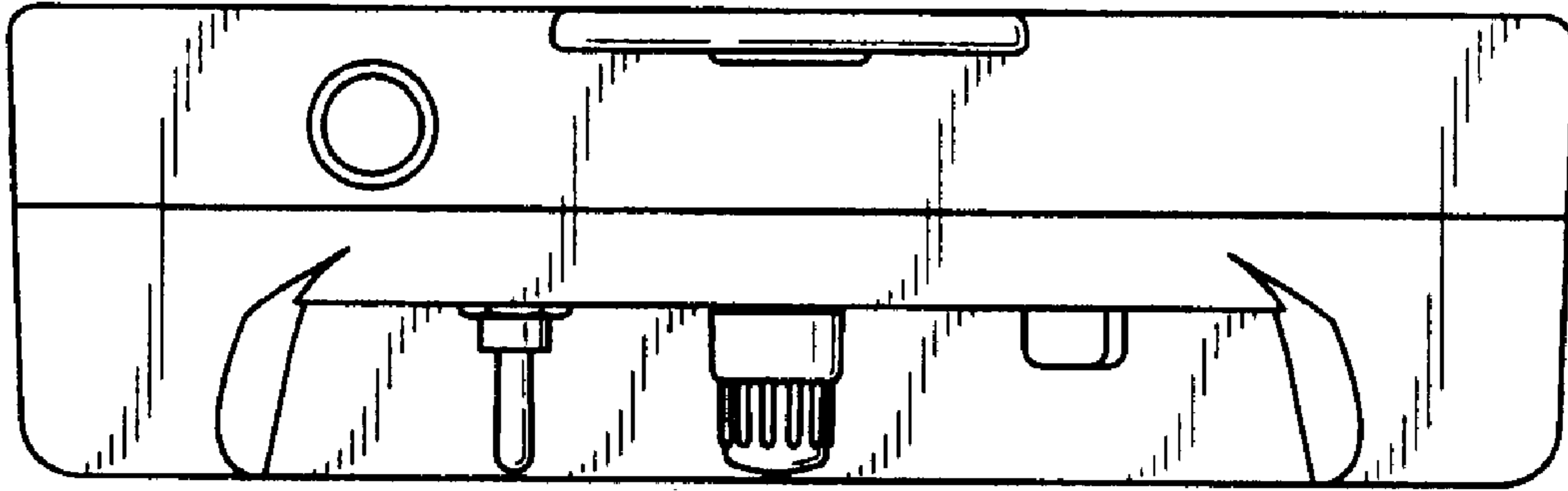


Fig. 6

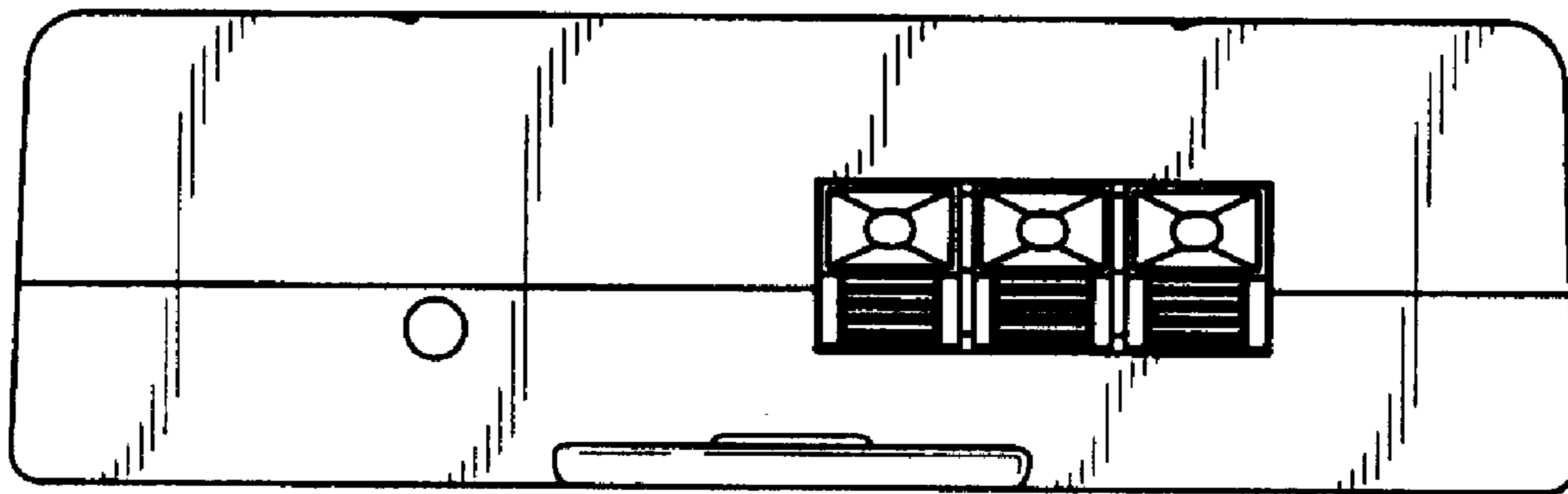


Fig. 7