



US00D532749S

(12) **United States Design Patent**
Shing

(10) **Patent No.:** **US D532,749 S**

(45) **Date of Patent:** **** Nov. 28, 2006**

(54) **POWER DISTRIBUTION COUPLING AND COVER**

(76) Inventor: **Yuen Kim Shing**, 14A, Hung To
Commerical Blvd., 357 Lockhart Road,
Wan Chai, Hong Kong (HK)

(**) Term: **14 Years**

(21) Appl. No.: **29/219,677**

(22) Filed: **Dec. 21, 2004**

(51) **LOC (8) Cl.** **13-01**

(52) **U.S. Cl.** **D13/122; D13/184**

(58) **Field of Classification Search** D13/122,
D13/123, 152, 156, 184; 174/50; 361/600,
361/601, 602, 614, 796

See application file for complete search history.

(56) **References Cited**

U.S. PATENT DOCUMENTS

3,666,134	A	*	5/1972	Rauch	220/324
D332,088	S	*	12/1992	Nimpoeno et al.	D13/184
D430,850	S	*	9/2000	Alves et al.	D13/152
D450,666	S	*	11/2001	Scribner	D13/184
D482,667	S	*	11/2003	Yu	D13/184

* cited by examiner

Primary Examiner—Stella Reid
Assistant Examiner—Derrick Holland
(74) *Attorney, Agent, or Firm*—Malloy & Malloy, P.A.

(57) **CLAIM**

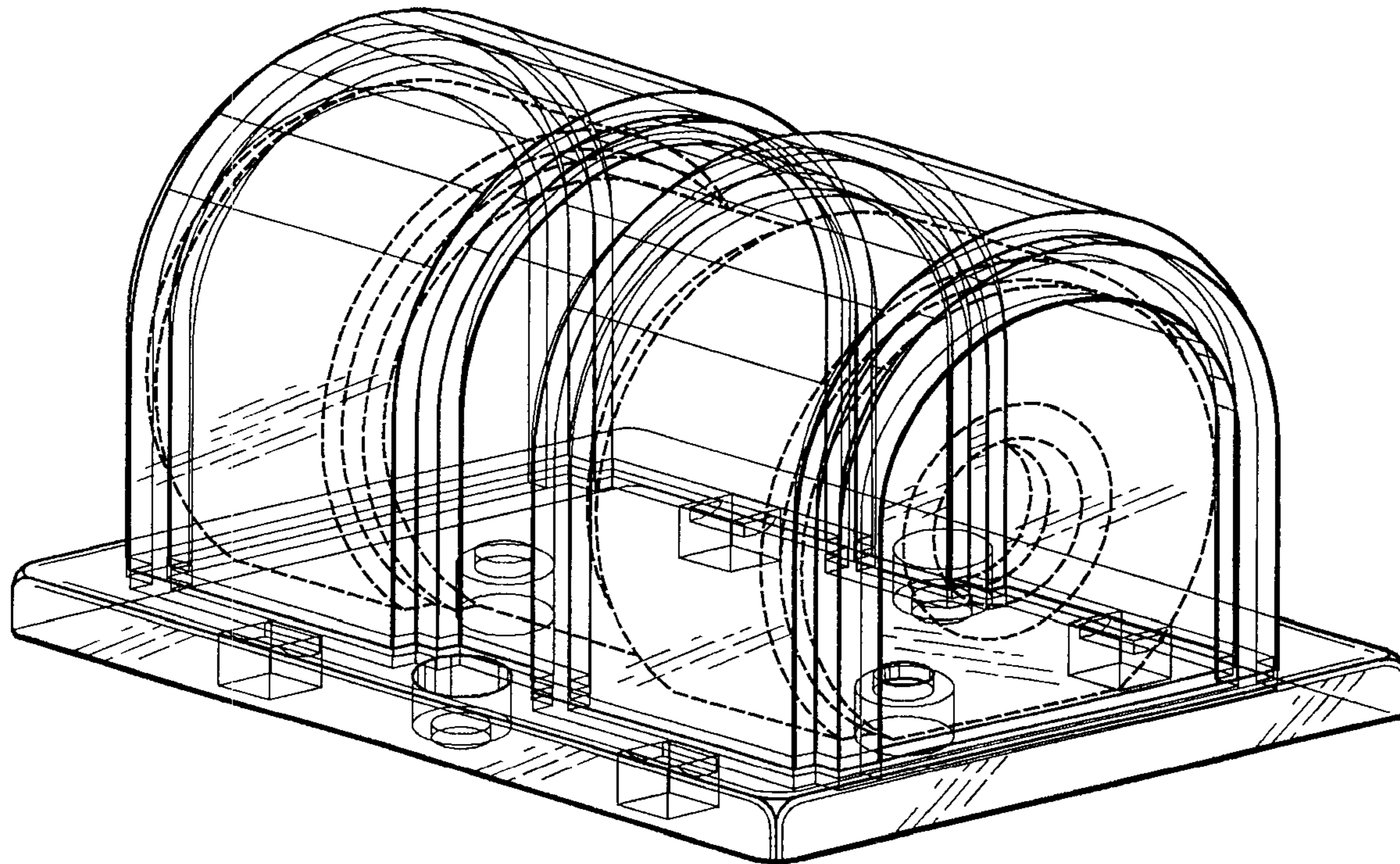
The ornamental design for power distribution coupling and cover, as shown and described.

DESCRIPTION

FIG. 1 is a front perspective view illustrating my design for a power distribution coupling and cover;
FIG. 2 is a front view thereof;
FIG. 3 is a left side view thereof;
FIG. 4 is a top view thereof;
FIG. 5 is a right side view thereof;
FIG. 6 is a bottom view thereof;
FIG. 7 is a rear view thereof; and,
FIG. 8 is a front perspective, partially exploded view thereof.

The broken line showing of a power distribution coupling and cover is for illustrative purposes only and forms no part of the claimed design.

1 Claim, 5 Drawing Sheets



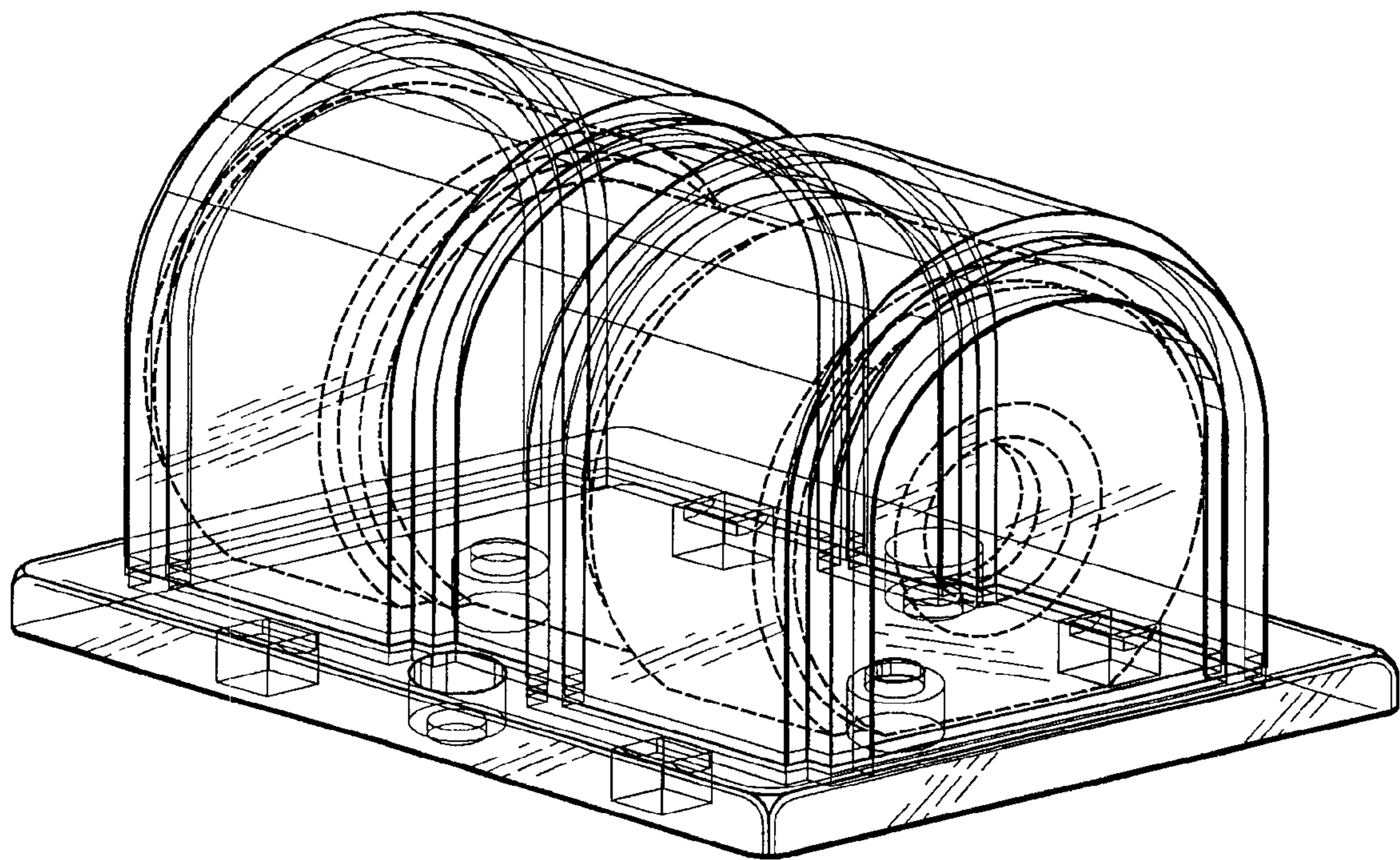


FIG. 1

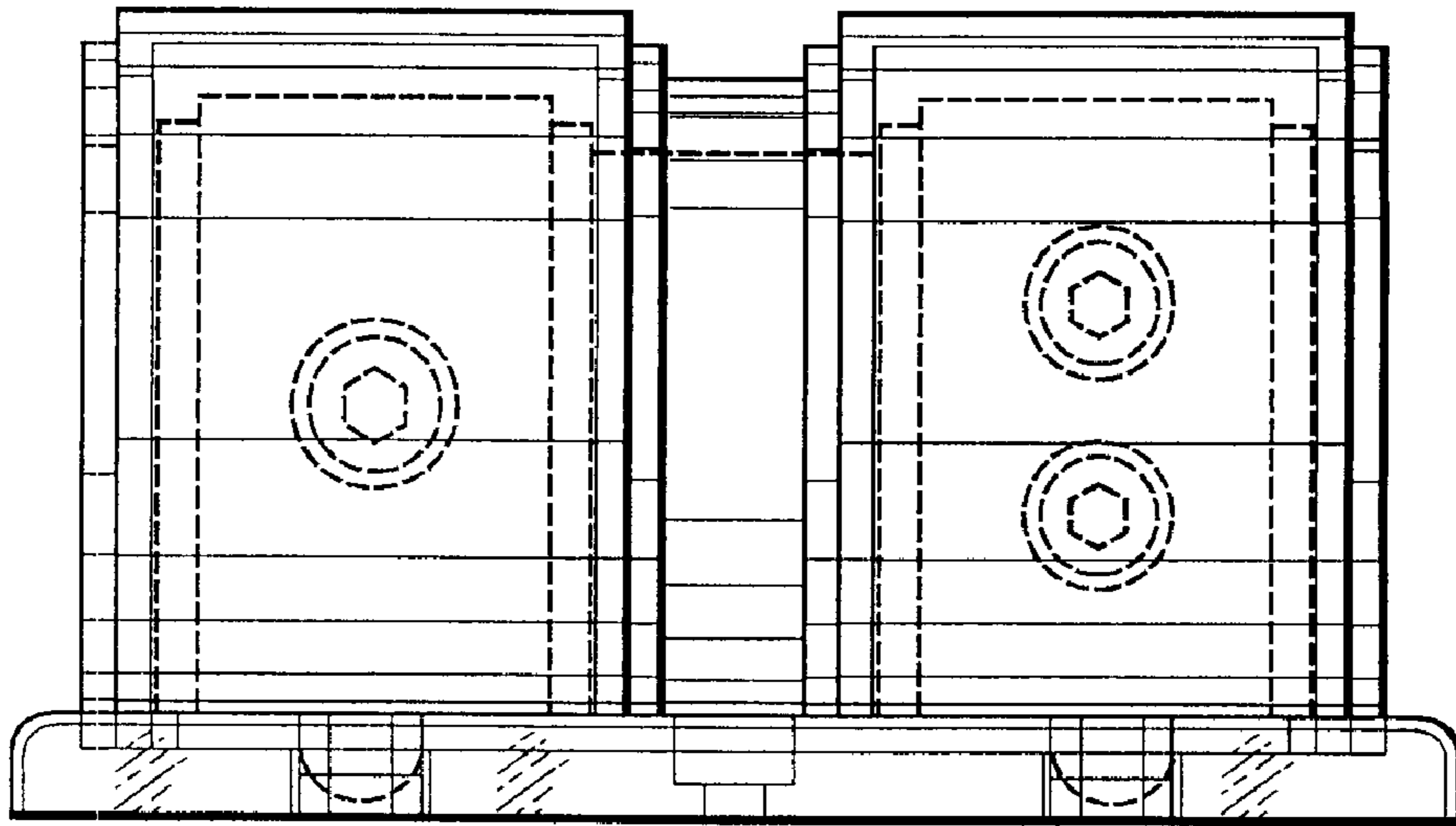


FIG. 7

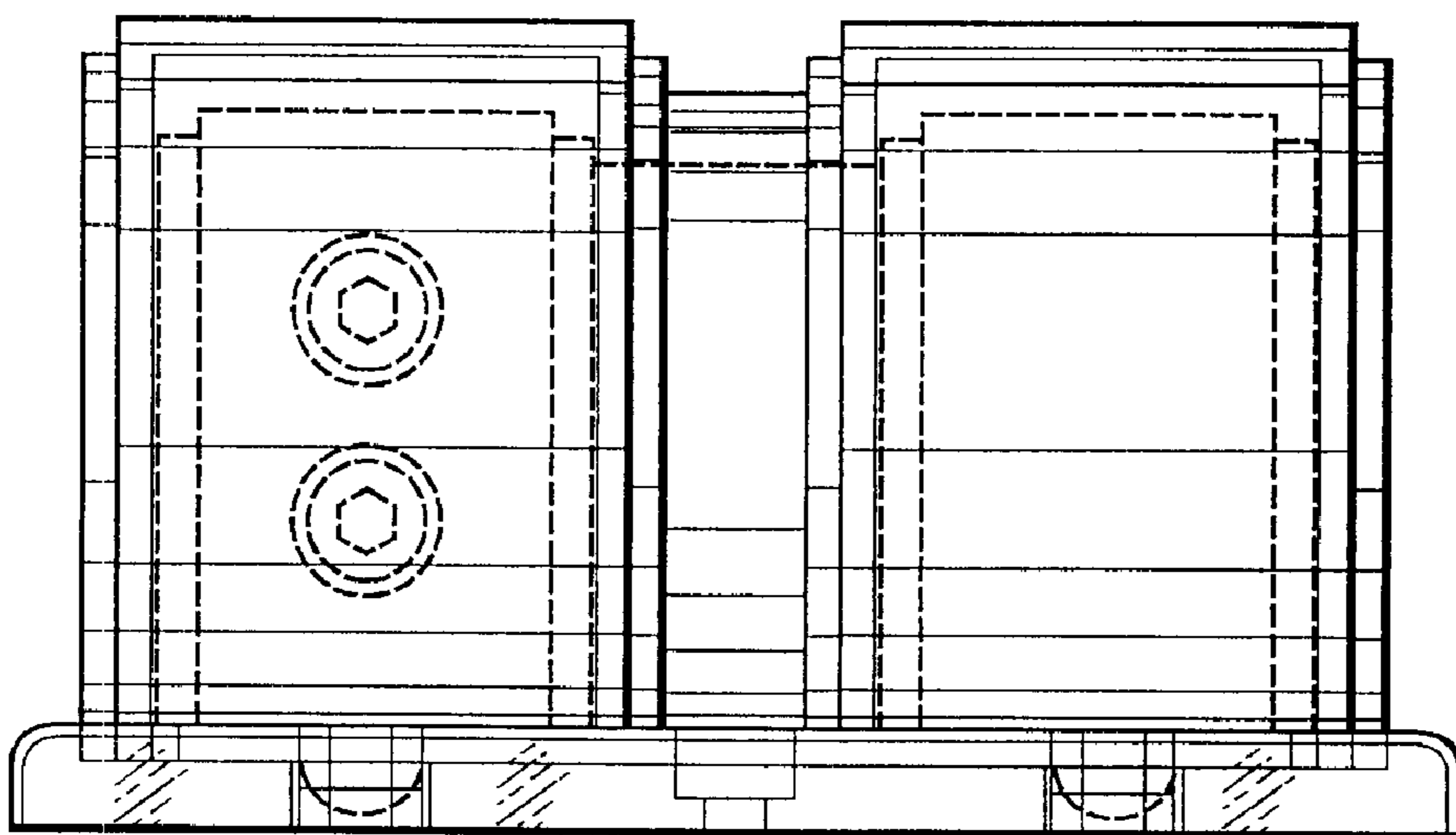


FIG. 2

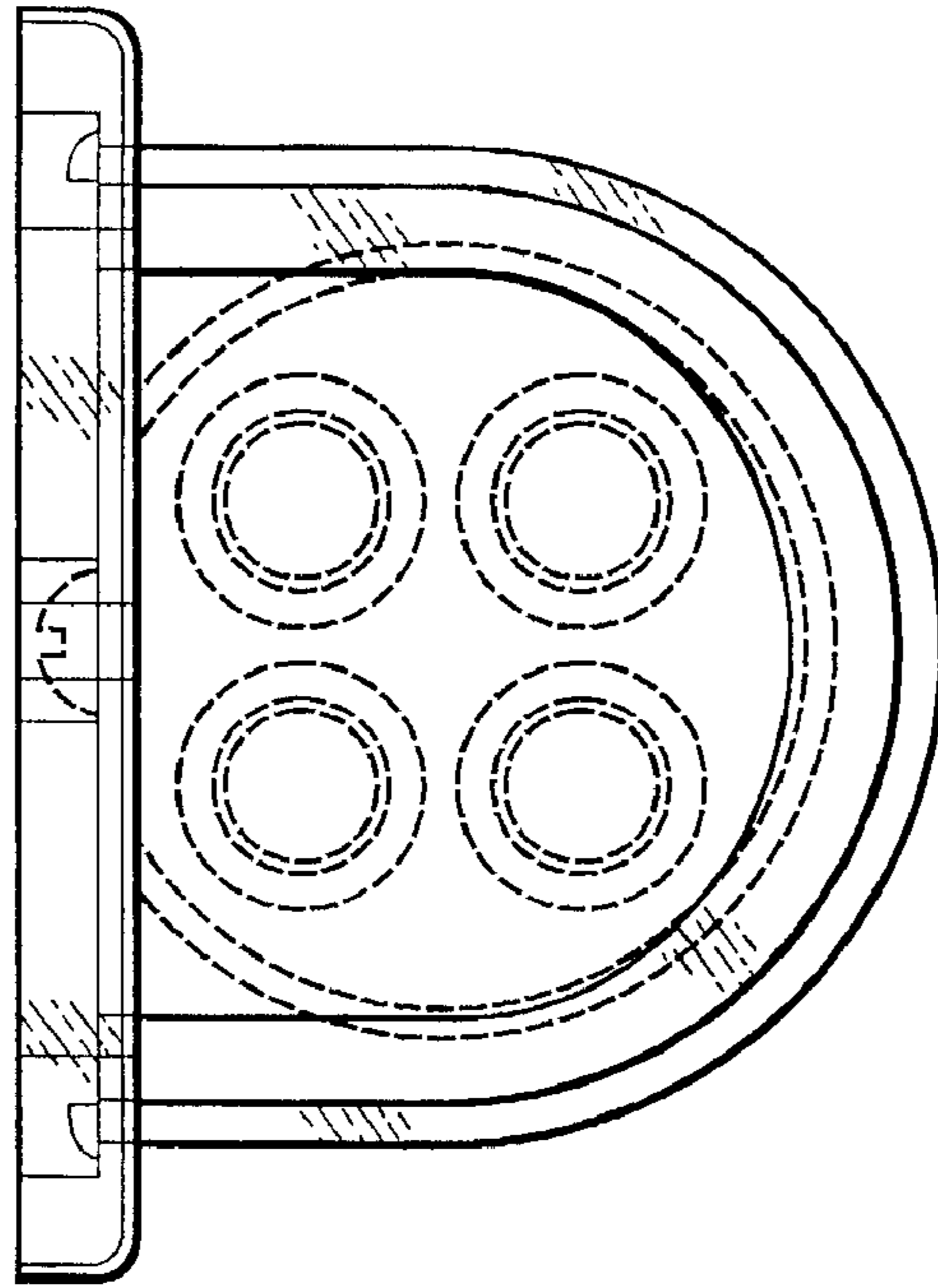


FIG. 3

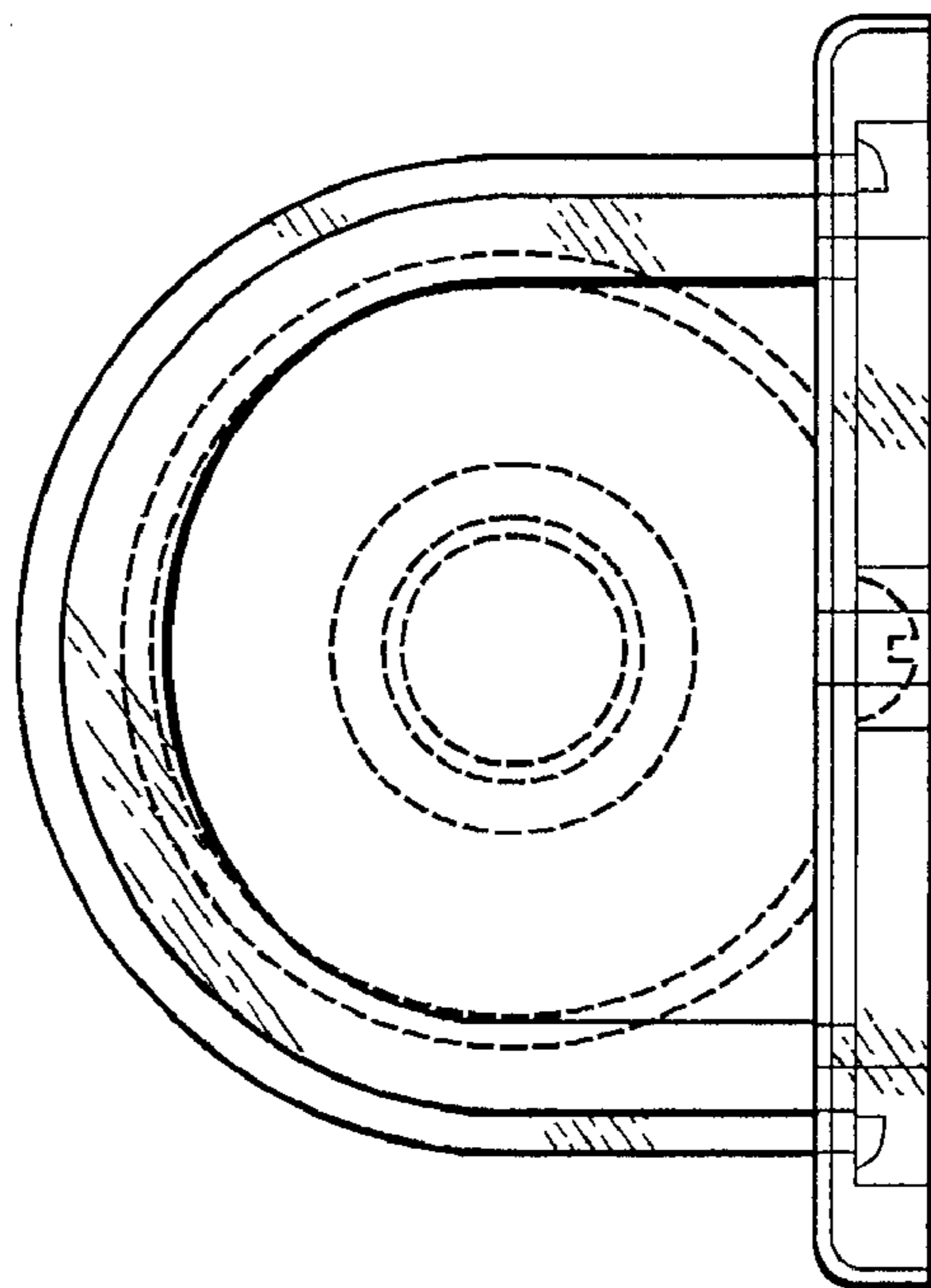


FIG. 5

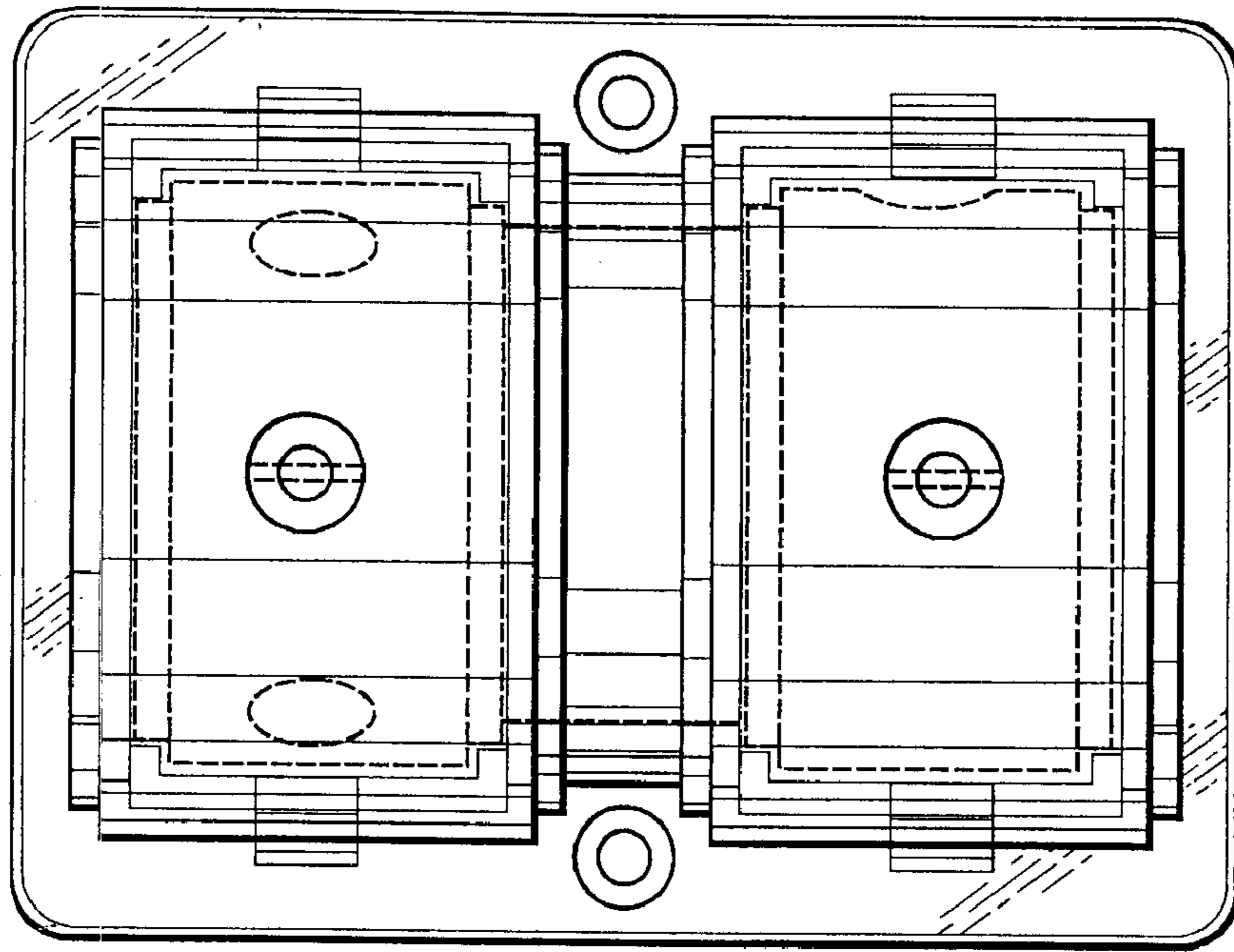


FIG. 4

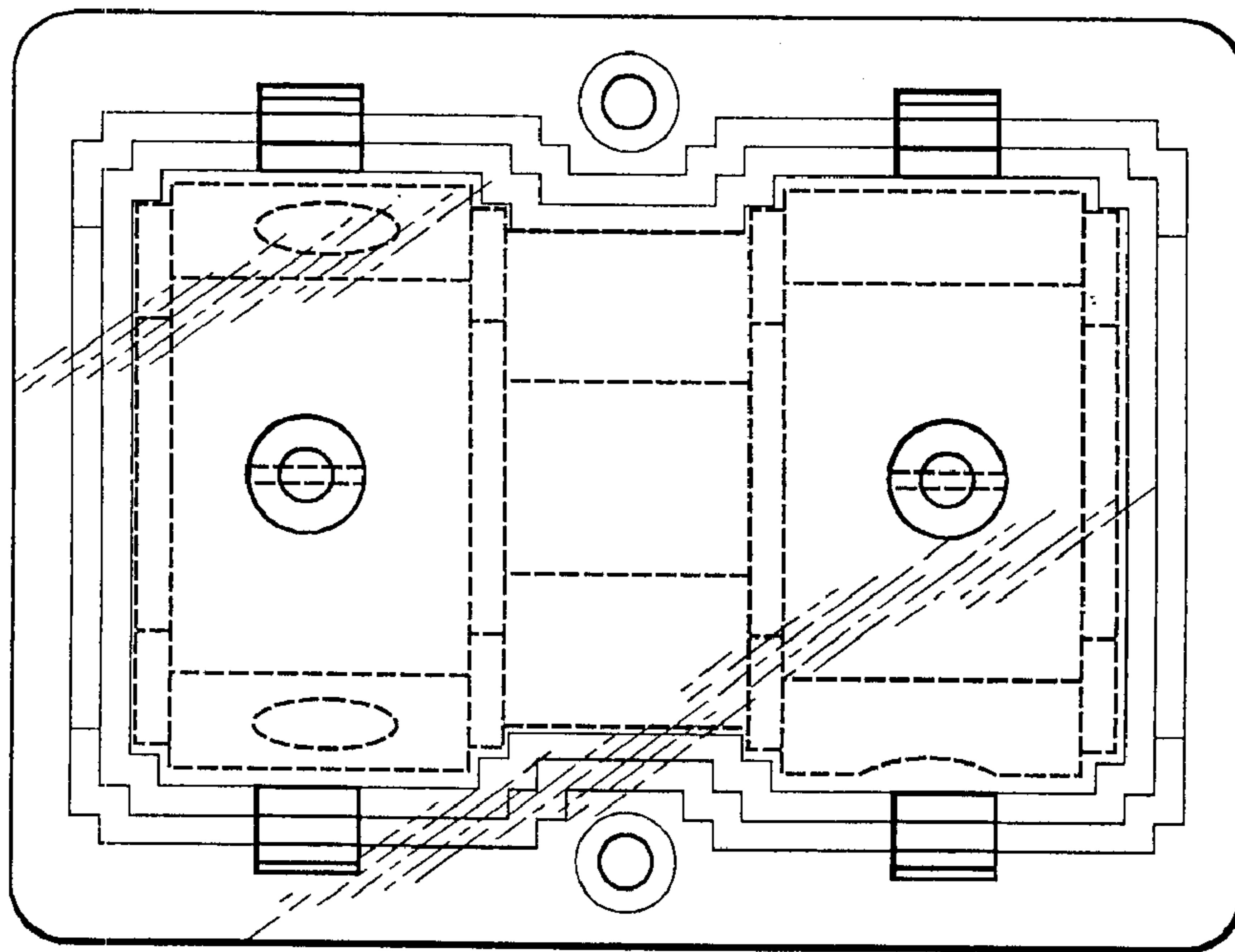


FIG. 6

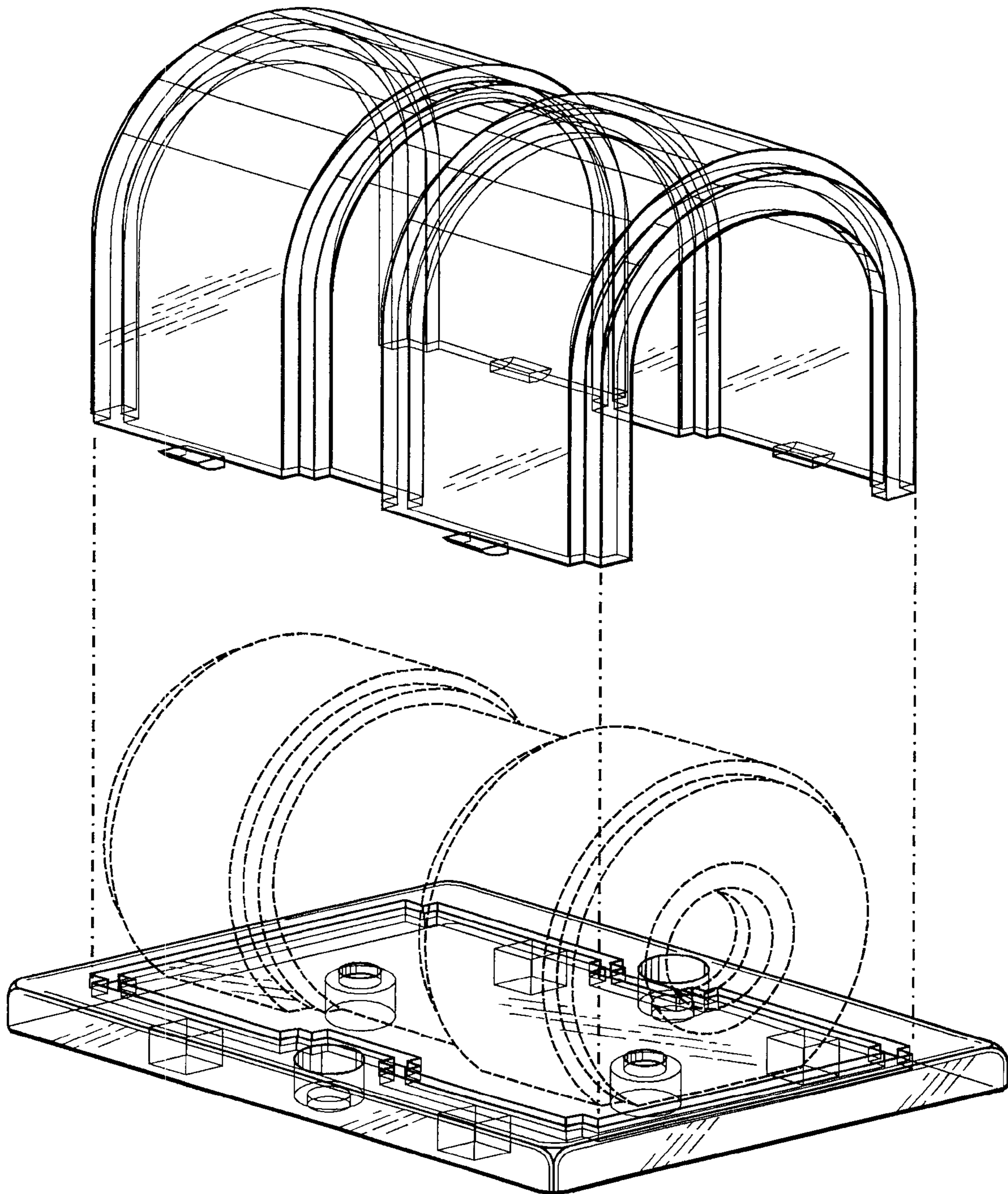


FIG. 8