



US00D532747S

(12) **United States Design Patent**  
**Ricci et al.**

(10) **Patent No.:** **US D532,747 S**

(45) **Date of Patent:** **\*\* Nov. 28, 2006**

(54) **CURRENT TRANSFORMER FRAME**

(75) Inventors: **Marc A. Ricci**, Victoria (CA); **Stewart J. Harding**, Victoria (CA); **Colin N. Gunn**, Victoria (CA)

(73) Assignee: **Power Measurement Ltd.**, British Columbia (CA)

(\*\*) Term: **14 Years**

(21) Appl. No.: **29/221,730**

(22) Filed: **Jan. 19, 2005**

(51) **LOC (8) Cl.** ..... **13-02**

(52) **U.S. Cl.** ..... **D13/110**

(58) **Field of Classification Search** ..... D13/110,  
D13/101, 184, 199; 218/146; 307/70, 150;  
336/90, 92, 98, 192

See application file for complete search history.

(56) **References Cited**

**U.S. PATENT DOCUMENTS**

- 4,234,865 A \* 11/1980 Shigehara ..... 336/92
- 4,868,532 A \* 9/1989 Ehrenhalt et al. .... 336/82
- 5,363,079 A \* 11/1994 Zawada et al. .... 336/92

D390,825 S \* 2/1998 Chen ..... D13/110  
2003/0034332 A1 \* 2/2003 Maulandi et al. .... 218/146

\* cited by examiner

*Primary Examiner*—Stella Reid

*Assistant Examiner*—Derrick Holland

(74) *Attorney, Agent, or Firm*—Brinks Hofer Gilson & Lione

(57) **CLAIM**

We claim the ornamental design for a current transformer frame, as shown and described.

**DESCRIPTION**

FIG. 1 is an elevation view of a first side of a current transformer frame showing the present invention.

FIG. 2 is an elevation view of the side opposite from that shown in FIG. 1.

FIG. 3 is a plan view from the top of FIG. 1.

FIG. 4 is a plan view from the bottom of FIG. 1.

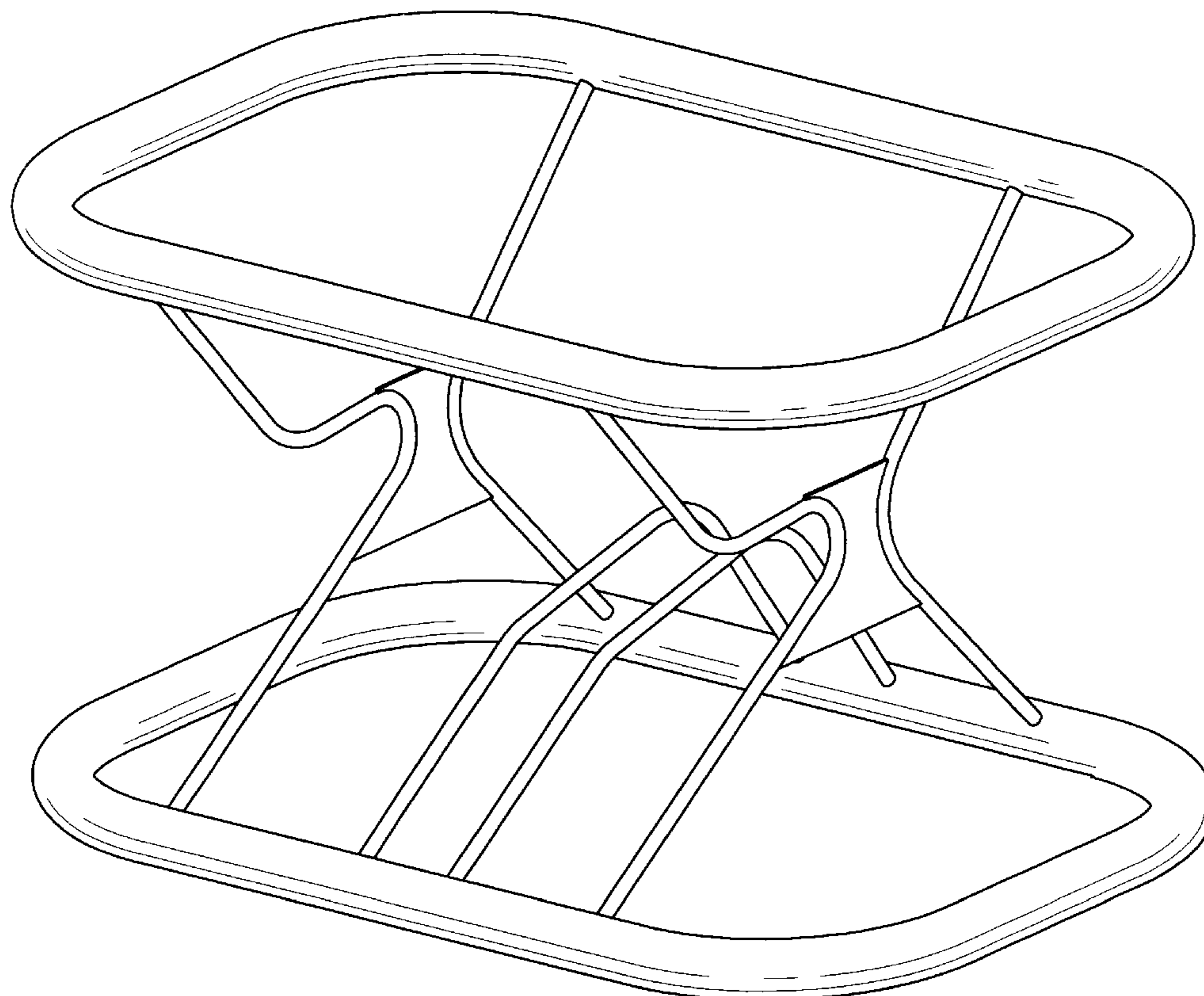
FIG. 5 is an elevation view from the right side of FIG. 1.

FIG. 6 is an elevation view from the left side of FIG. 1.

FIG. 7 is an inverted perspective view from the bottom-left of FIG. 1; and,

FIG. 8 is a perspective view from the top-left of FIG. 2.

**1 Claim, 8 Drawing Sheets**



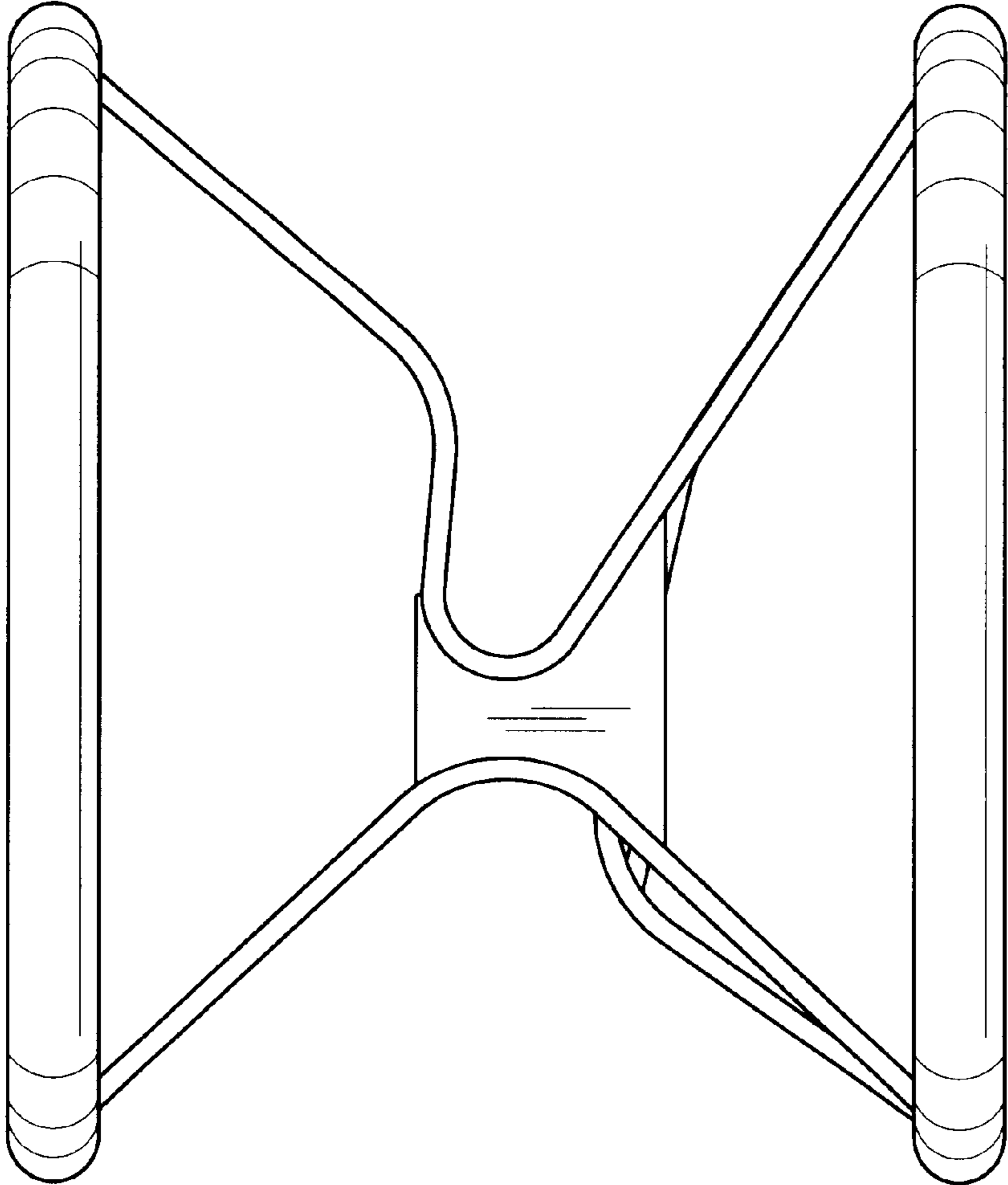


Fig. 1

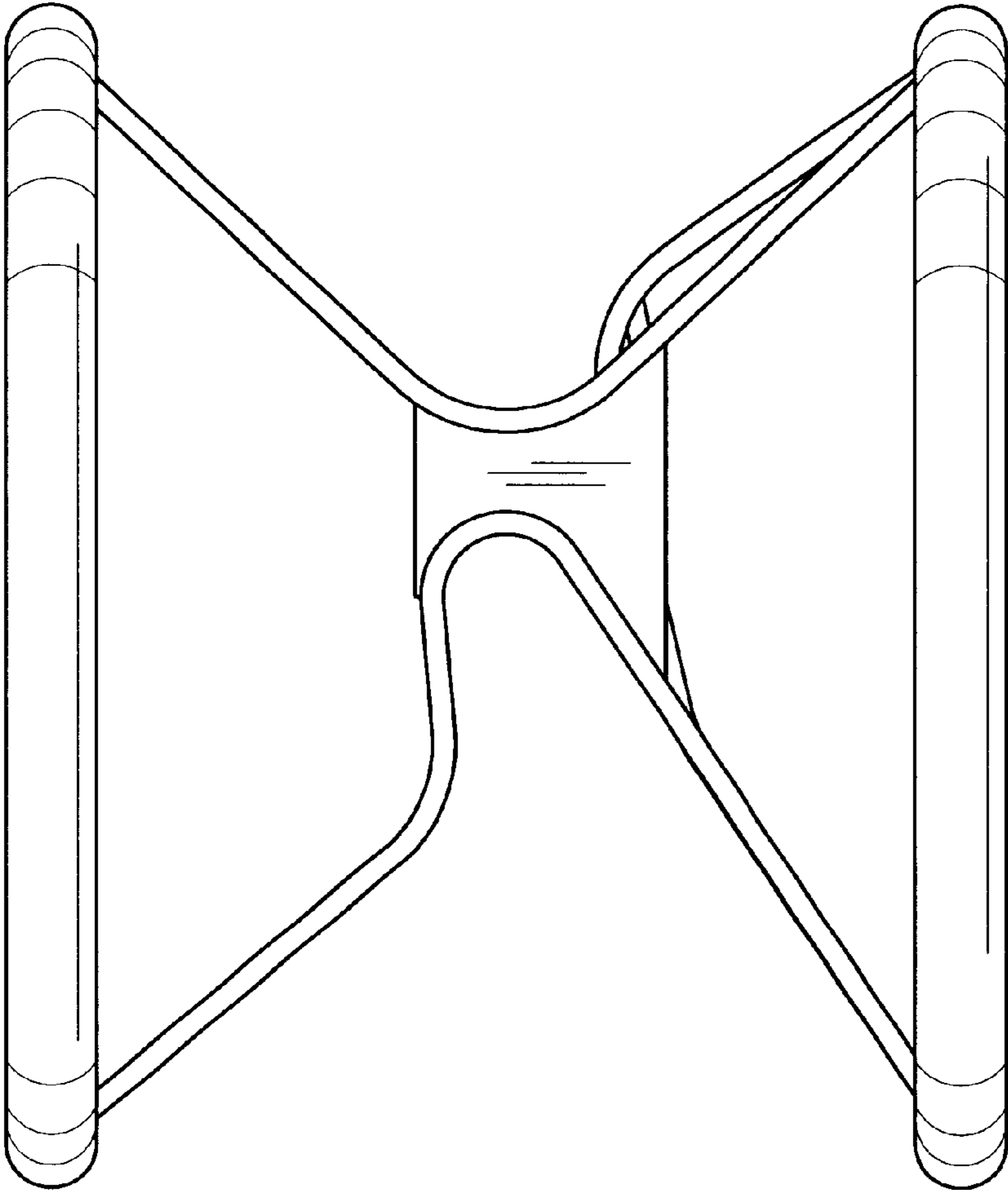


Fig. 2

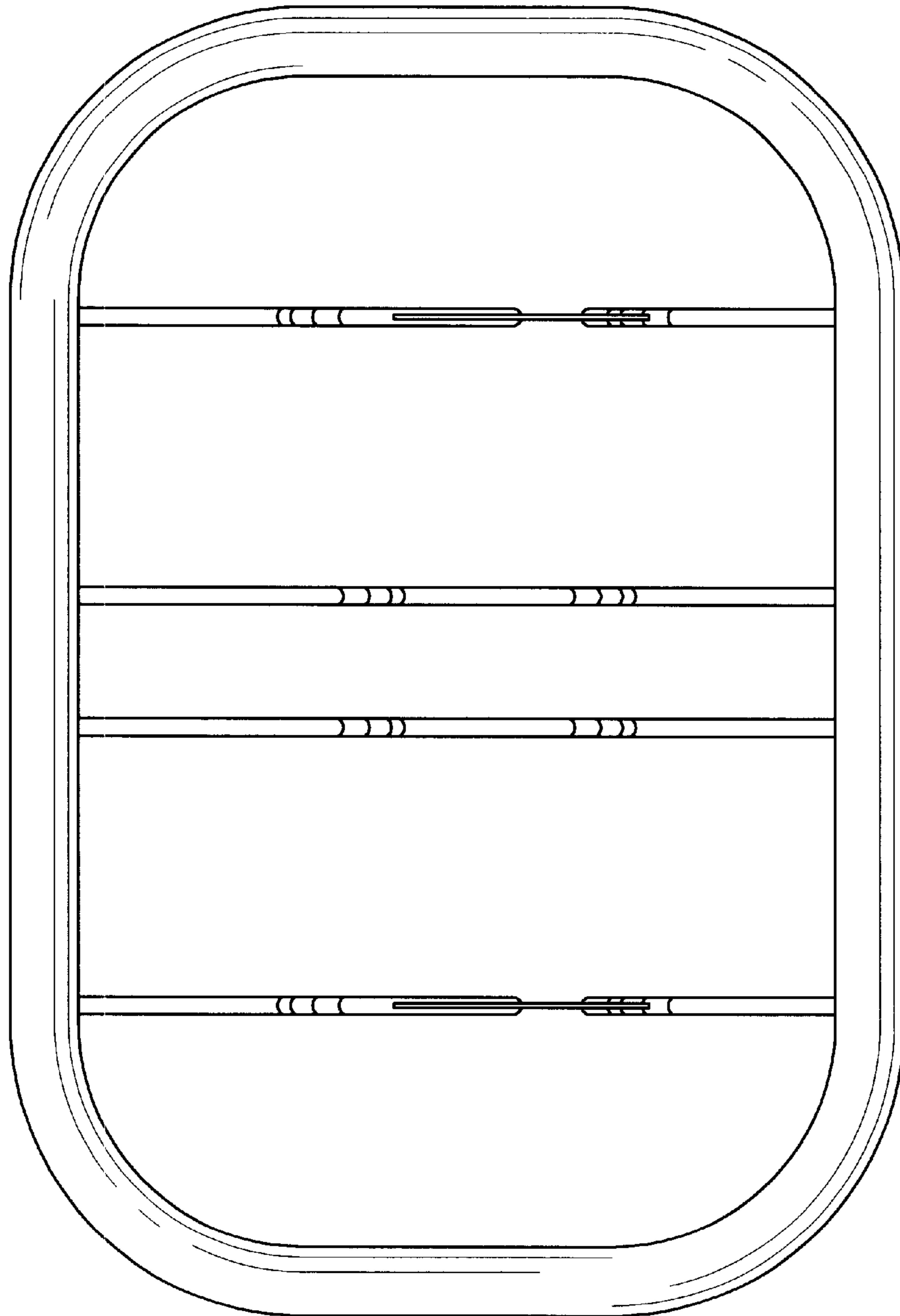


Fig. 3

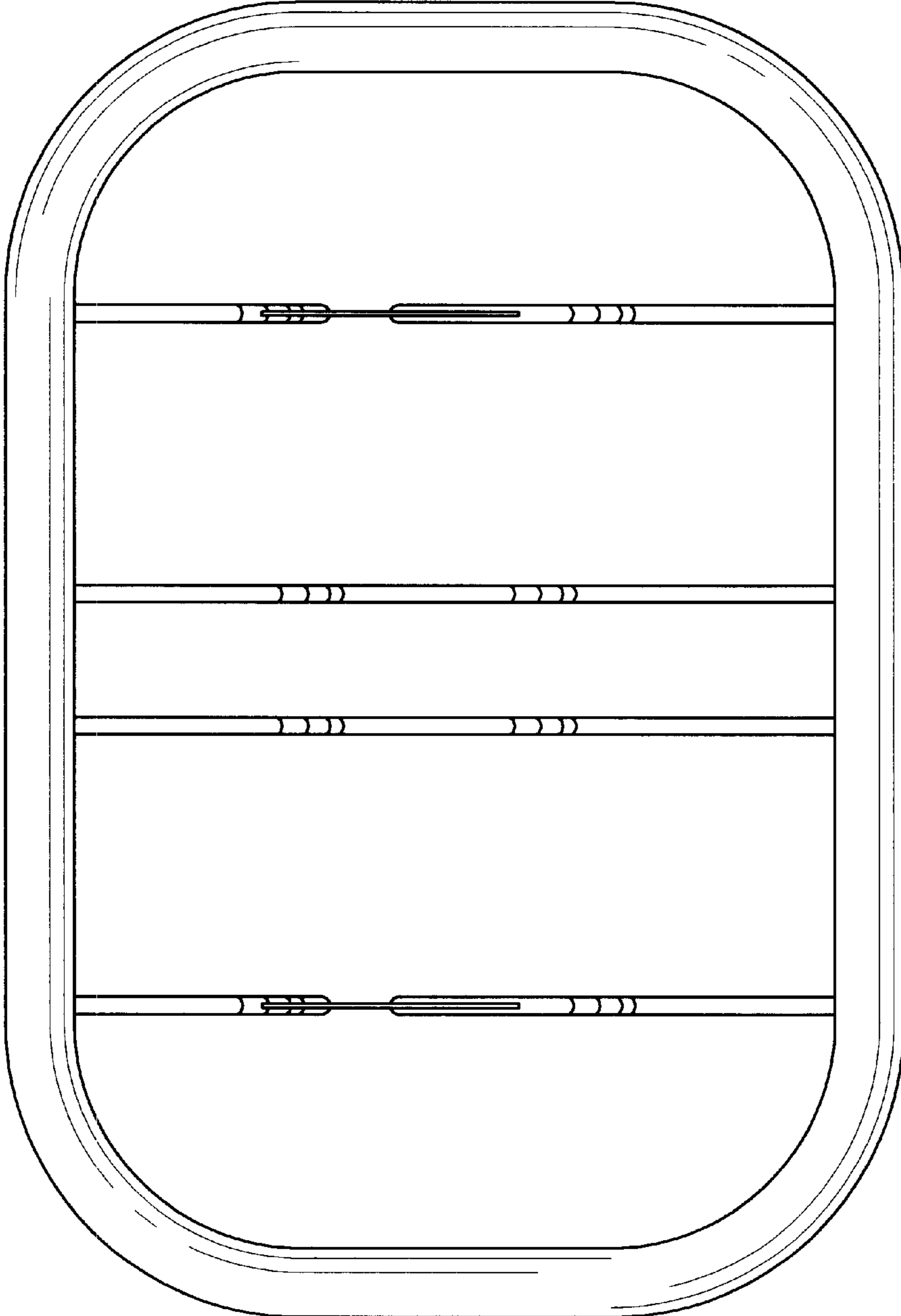


Fig. 4

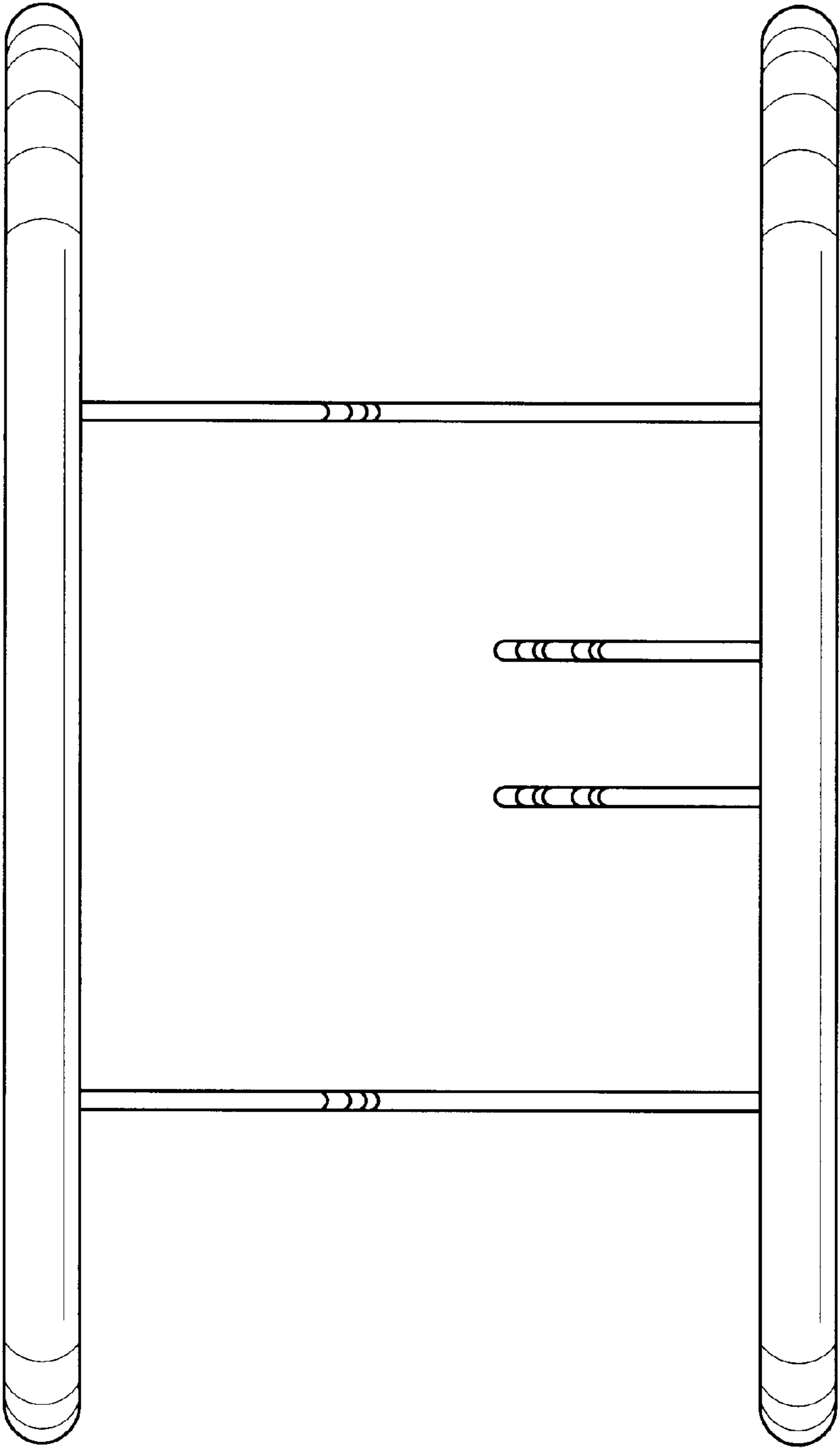


Fig. 5

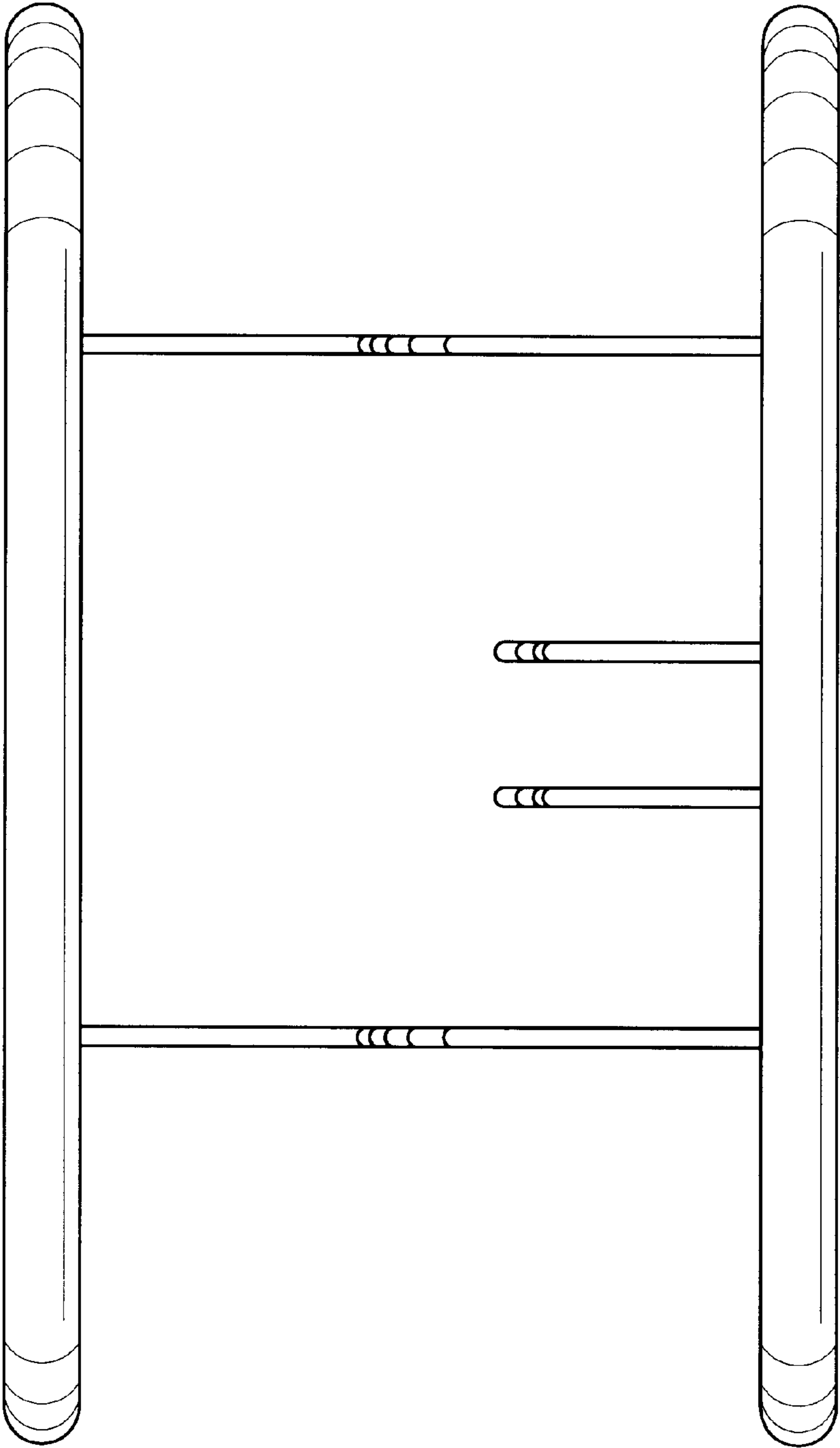


Fig. 6

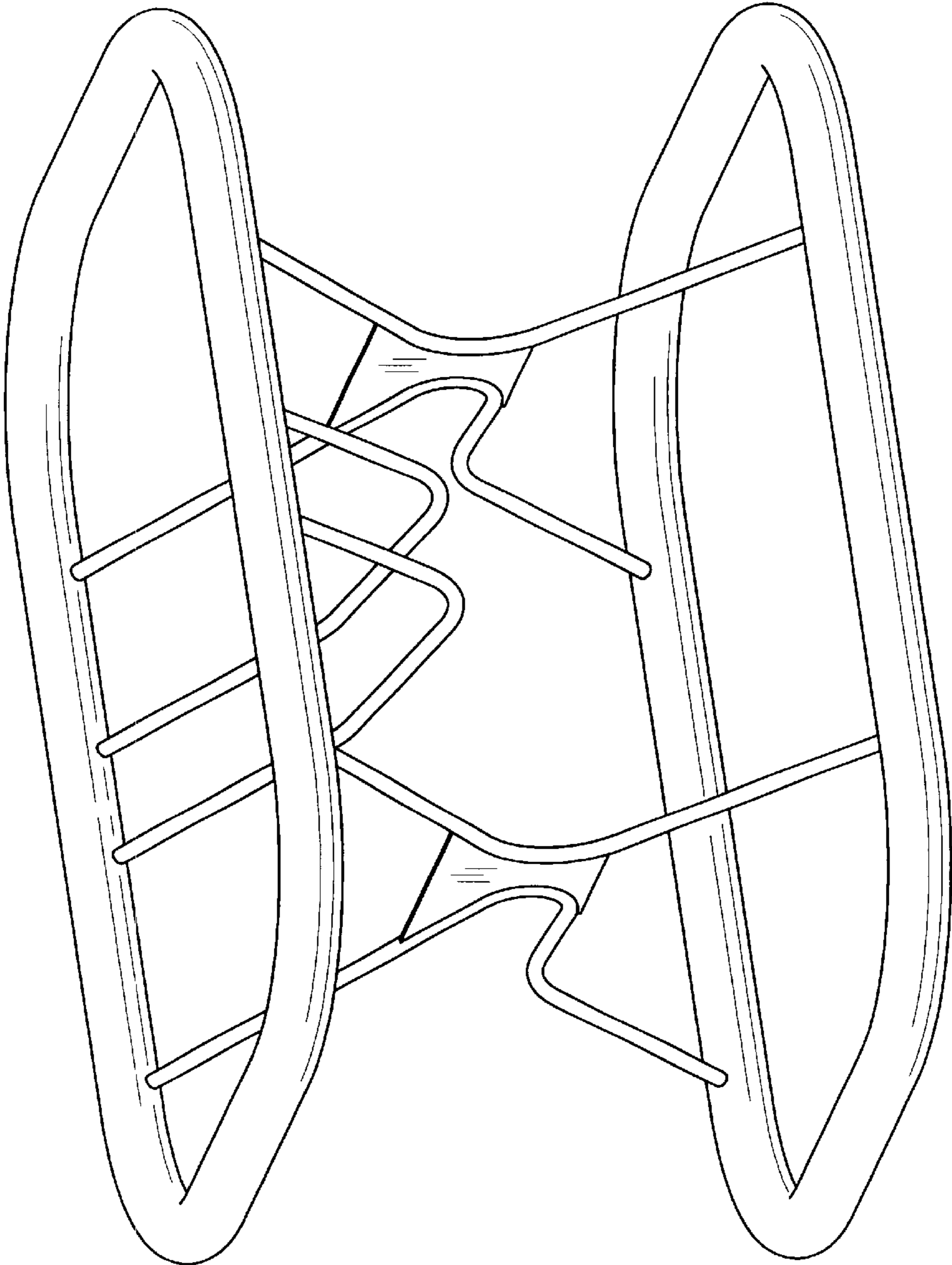


Fig. 7



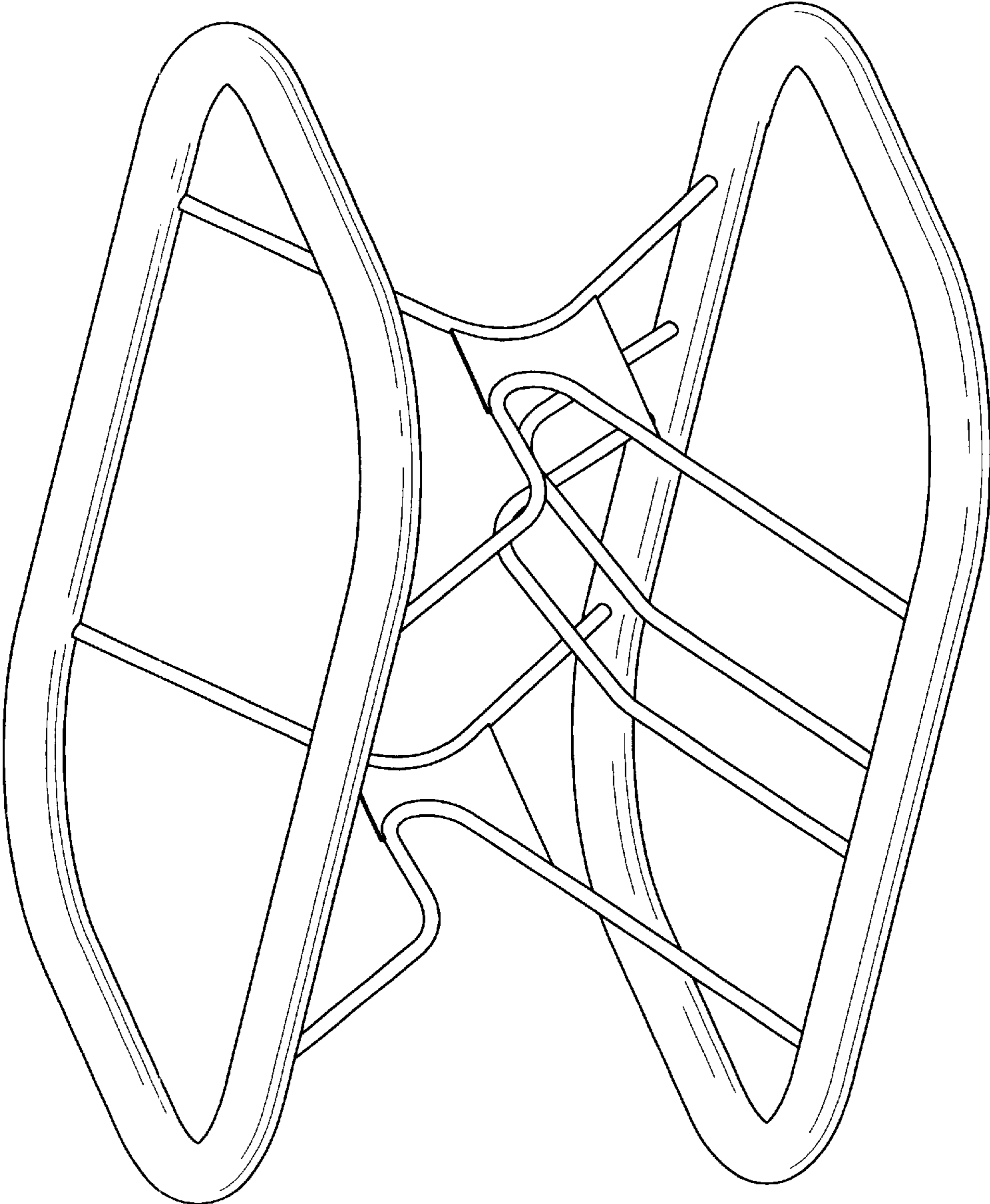


Fig. 8