



US00D532746S

(12) **United States Design Patent**
Meyers et al.

(10) **Patent No.:** **US D532,746 S**

(45) **Date of Patent:** **** Nov. 28, 2006**

(54) **CHARGER FOR ROTARY TOOL**
(75) Inventors: **David O. Meyers**, Kaysville, UT (US);
Justin Matuszek, Kenosha, WI (US);
Leroy McCray, Chicago, IL (US)

(73) Assignee: **Credo Technology Corporation**,
Wilmington, DE (US)

(**) Term: **14 Years**

(21) Appl. No.: **29/241,548**

(22) Filed: **Oct. 29, 2005**

(51) **LOC (8) Cl.** **13-02**

(52) **U.S. Cl.** **D13/108**

(58) **Field of Classification Search** D13/106-110,
D13/118-119, 184; D14/251, 253, 432, 434;
320/107-115

See application file for complete search history.

(56) **References Cited**

U.S. PATENT DOCUMENTS

D360,723 S	*	7/1995	Kasai et al.	D32/73
D361,979 S	*	9/1995	Shirakawa et al.	D13/108
D406,099 S	*	2/1999	Ng et al.	D13/107
D440,936 S	*	4/2001	Burns	D13/108
D459,299 S	*	6/2002	Hughes et al.	D13/108
D460,446 S	*	7/2002	Hughes et al.	D14/253
D471,578 S	*	3/2003	Okuley	D16/242

D475,347 S	*	6/2003	Sheehan et al.	D13/108
D501,205 S	*	1/2005	Quinn	D14/253
D510,208 S	*	10/2005	Klimas	D6/466
D515,502 S	*	2/2006	Wen	D13/108
D516,022 S	*	2/2006	Winkler	D13/108
2005/0024011 A1	*	2/2005	Chen	320/107

* cited by examiner

Primary Examiner—Alan P. Douglas

Assistant Examiner—Rosemary K. Tarcza

(74) *Attorney, Agent, or Firm*—Victor A. Henzi

(57) **CLAIM**

The ornamental design for a charger for rotary tool, as shown and described.

DESCRIPTION

FIG. 1 is a front left perspective view of the present new design for a charger for rotary tool;
FIG. 2 is a left elevational view thereof, the right elevational view being a mirror image thereof;
FIG. 3 is a front elevational view thereof;
FIG. 4 is a rear elevational view thereof;
FIG. 5 is a top plan view thereof; and,
FIG. 6 is a bottom plan view thereof.

The broken lines showing various features of a charger for rotary tool are for illustrative purposes only and form no part of the claimed design.

1 Claim, 4 Drawing Sheets

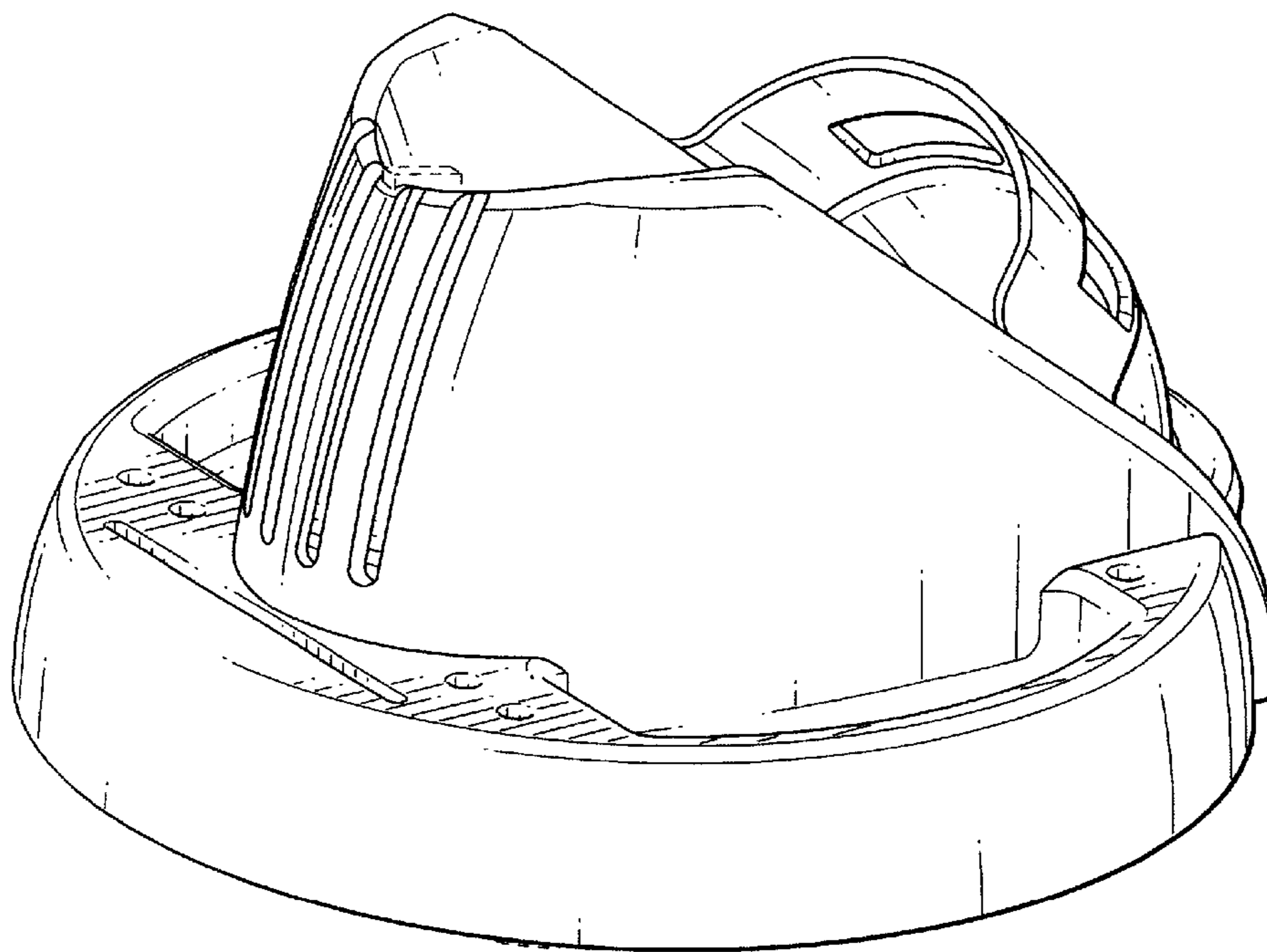


FIG. 1

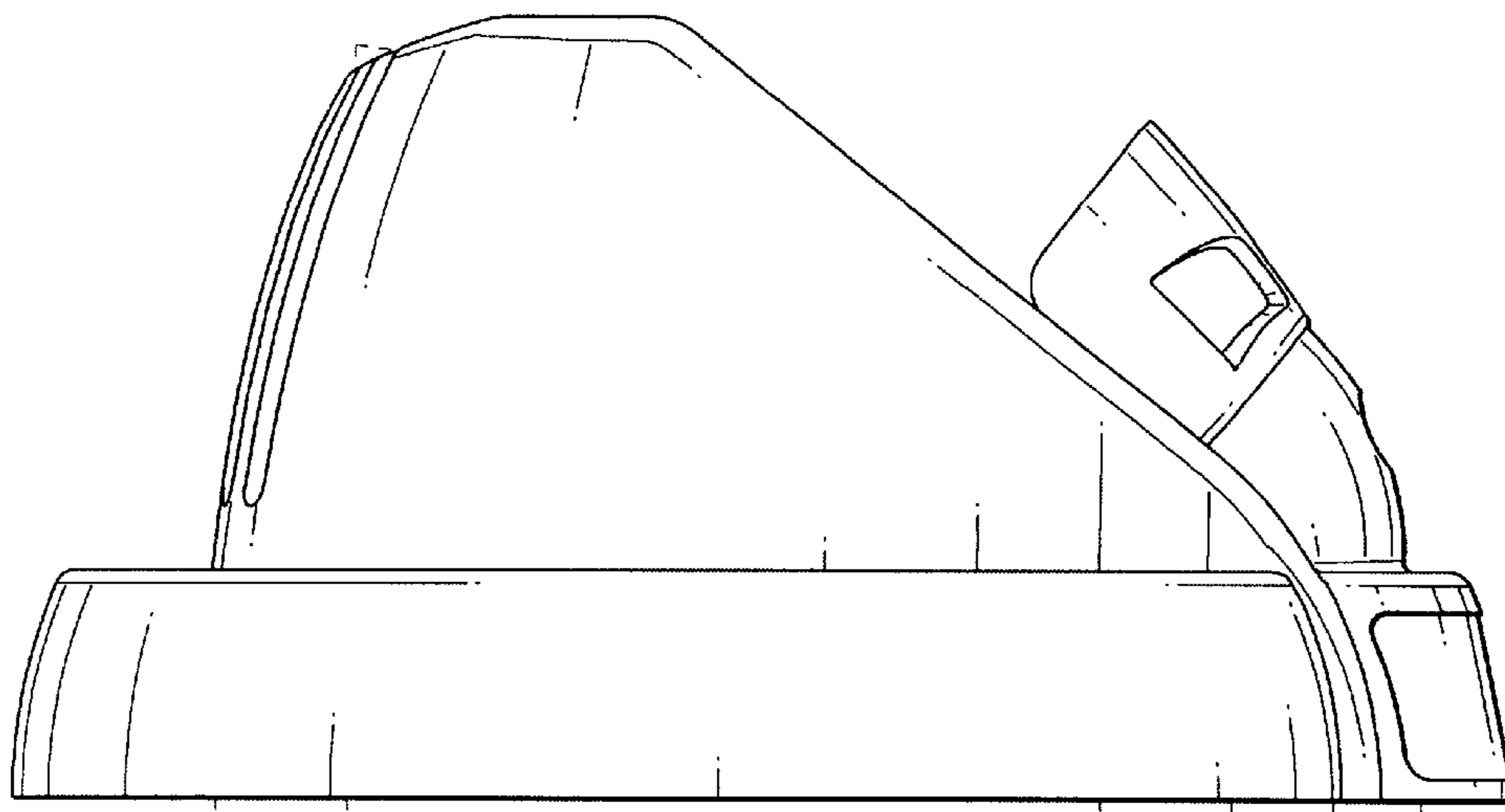
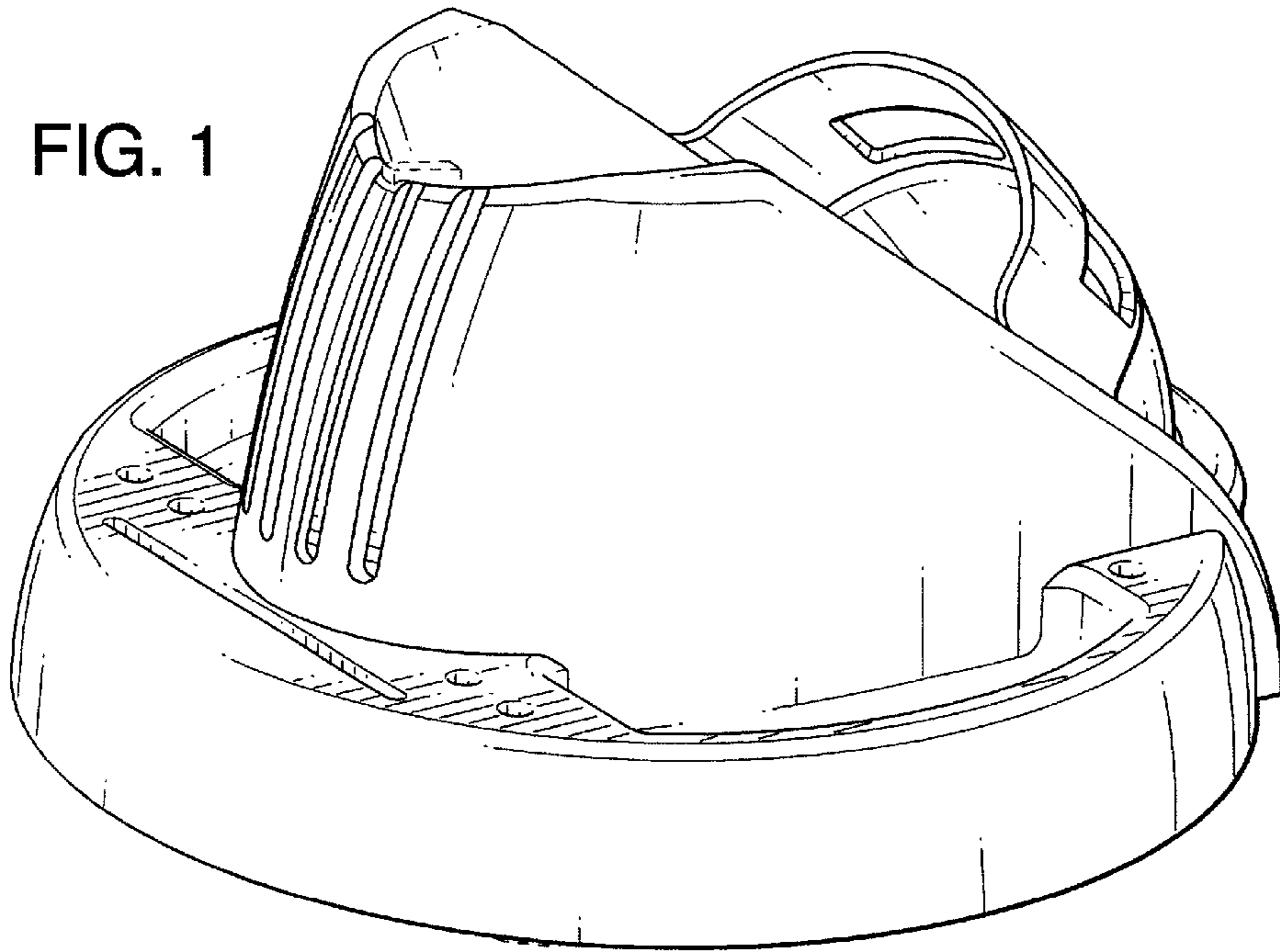


FIG. 2

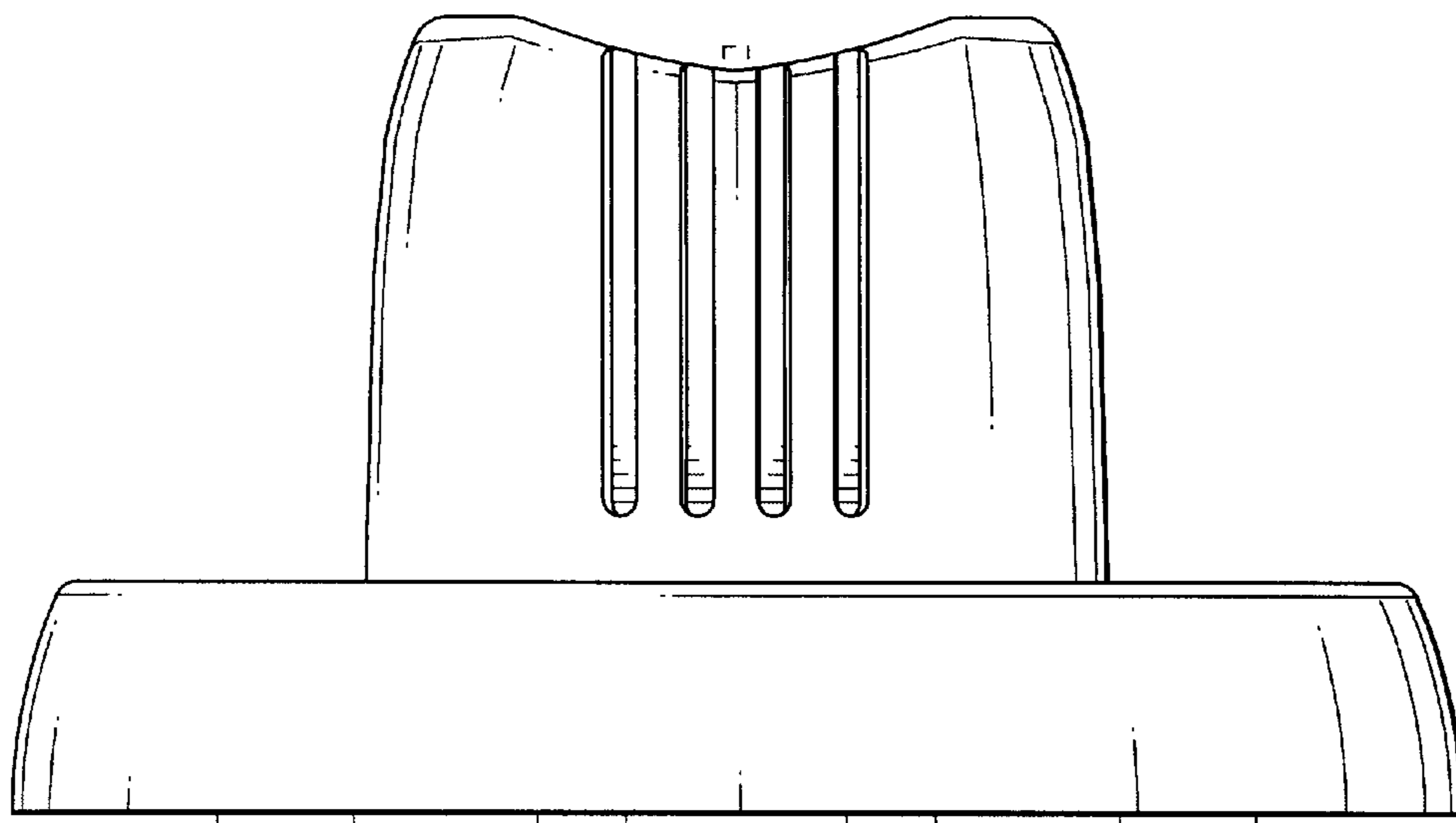


FIG. 3

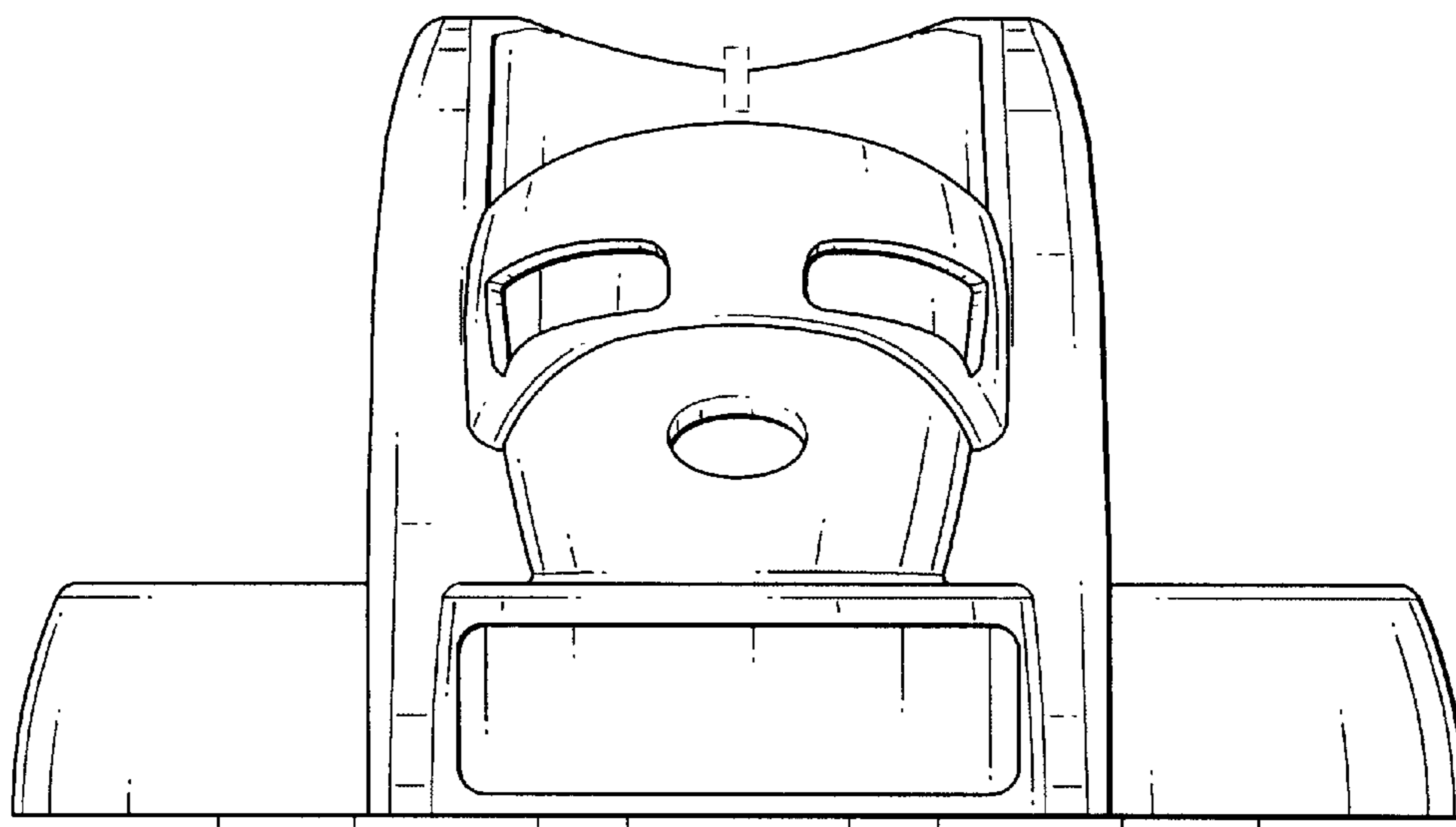


FIG. 4

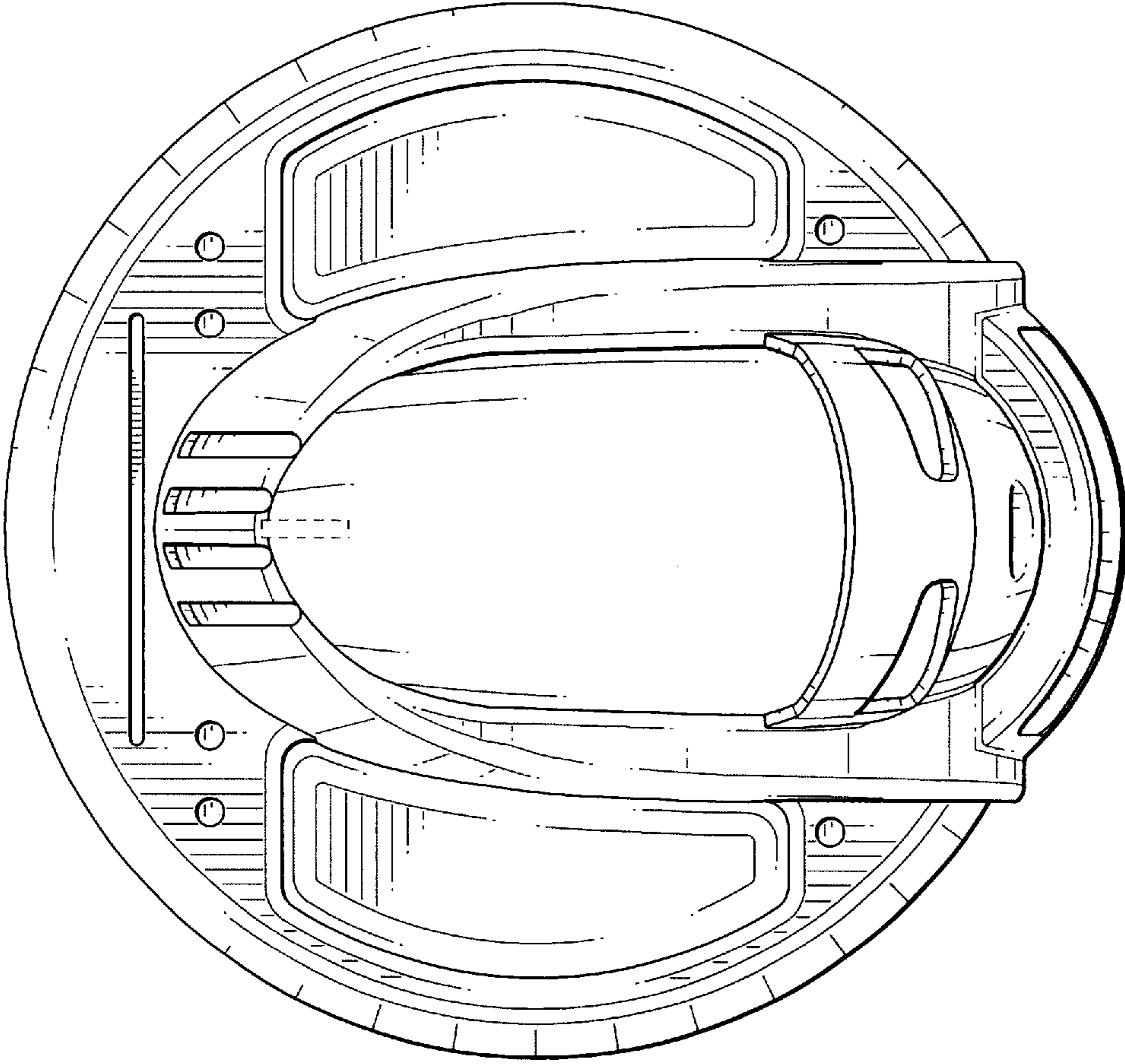


FIG. 5

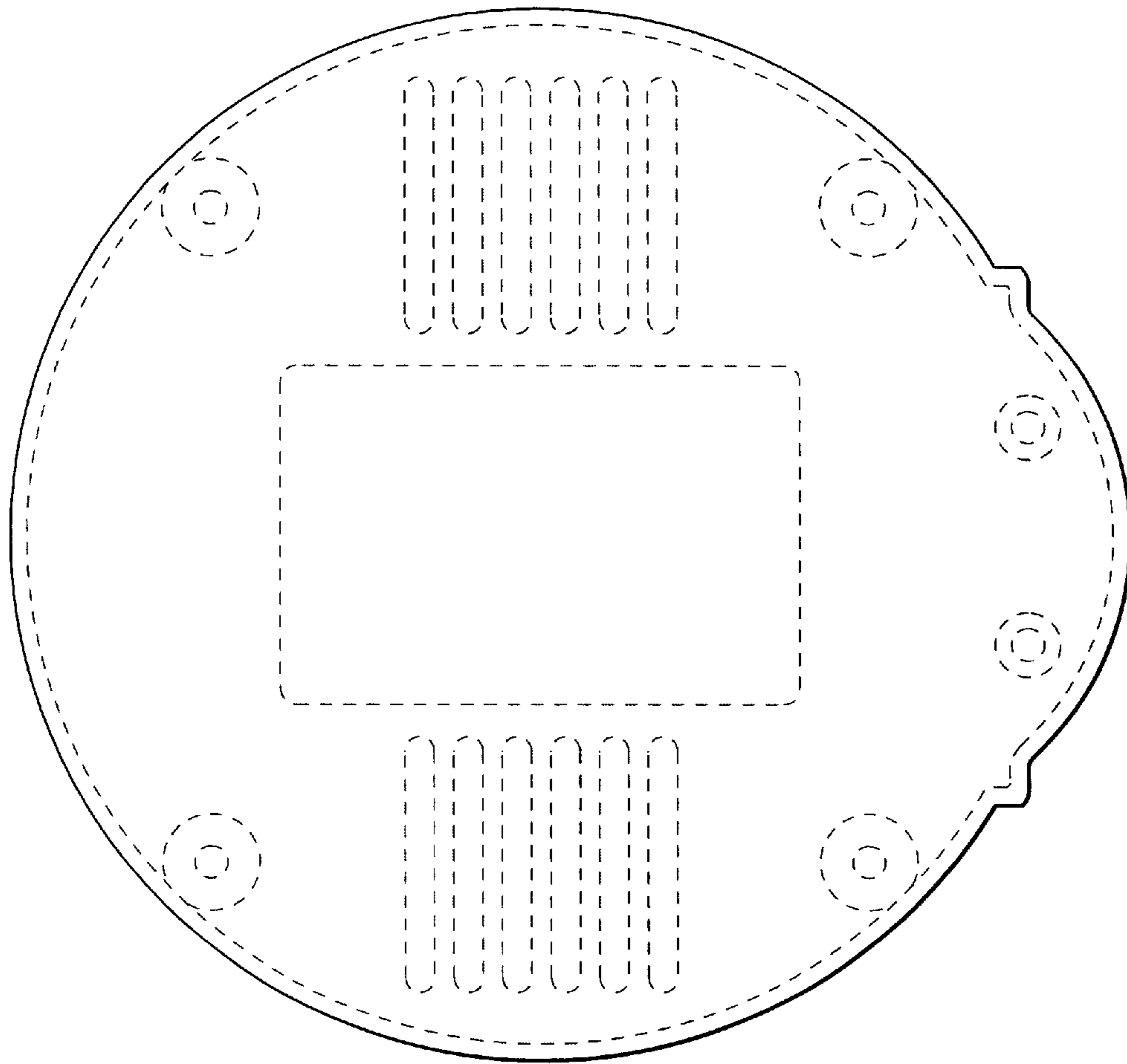


FIG. 6