



US00D532745S

(12) **United States Design Patent**
Gaber et al.

(10) **Patent No.:** **US D532,745 S**

(45) **Date of Patent:** **** Nov. 28, 2006**

(54) **CHARGER**

(75) Inventors: **Benny Gaber**, Haifa (IL); **Nir Weinstein**, Bat-Hefer (IL)

(73) Assignee: **Eveready Battery Company, Inc.**, St. Louis, MO (US)

(**) Term: **14 Years**

(21) Appl. No.: **29/225,820**

(22) Filed: **Mar. 21, 2005**

(51) **LOC (8) Cl.** **13-02**

(52) **U.S. Cl.** **D13/108**

(58) **Field of Classification Search** D13/103,
D13/107-110, 118-119, 184; D14/251, 253,
D14/432, 434; 320/107-115; 429/96, 163
See application file for complete search history.

(56) **References Cited**

U.S. PATENT DOCUMENTS

D207,586 S	*	5/1967	Rakocy	D13/103
D291,798 S	*	9/1987	Curiel	D13/102
D376,579 S	*	12/1996	Bunyea et al.	D13/103
D388,051 S	*	12/1997	Harada et al.	D13/103
D392,249 S	*	3/1998	Nakazawa et al.	D13/103
D413,565 S	*	9/1999	Nakayama	D13/103
D413,858 S	*	9/1999	Murakami et al.	D13/103
D418,811 S	*	1/2000	Bunyea et al.	D13/119
D457,131 S	*	5/2002	Kitoh et al.	D13/103
D459,297 S	*	6/2002	Searle	D13/103

6,423,438 B1	*	7/2002	Payne et al.	429/34
D465,451 S	*	11/2002	Hirano et al.	D13/107
D481,993 S	*	11/2003	Searle	D13/103

* cited by examiner

Primary Examiner—Alan P. Douglas

Assistant Examiner—Rosemary K. Tarcza

(74) *Attorney, Agent, or Firm*—Michael C. Pophal

(57) **CLAIM**

We claim the ornamental design for charger, as shown and described.

DESCRIPTION

FIG. 1 is a front perspective view from the left top of the charger of the present invention;

FIG. 2 is a rear perspective view from the right top of the charger of the present invention;

FIG. 3 is a top view of the charger of the present invention;

FIG. 4 is a side view, with the other side being a mirror image thereof, of the charger of the present invention;

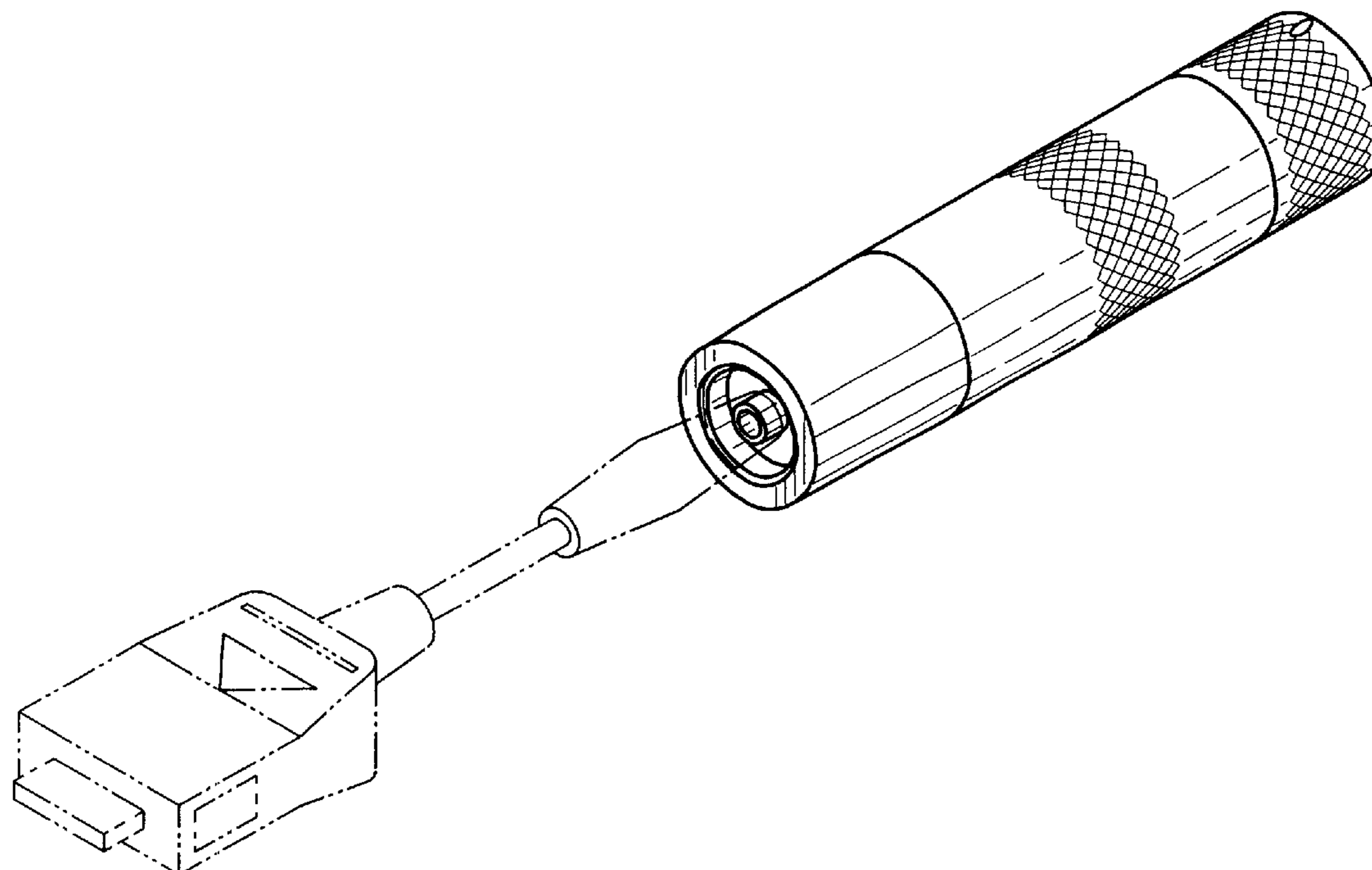
FIG. 5 is a bottom view of the charger of the present invention;

FIG. 6 is a front view of the charger of the present invention; and,

FIG. 7 is the rear view of the charger of the present invention.

The broken line showing is for illustrative purposes only and forms no part of the claimed design.

1 Claim, 3 Drawing Sheets



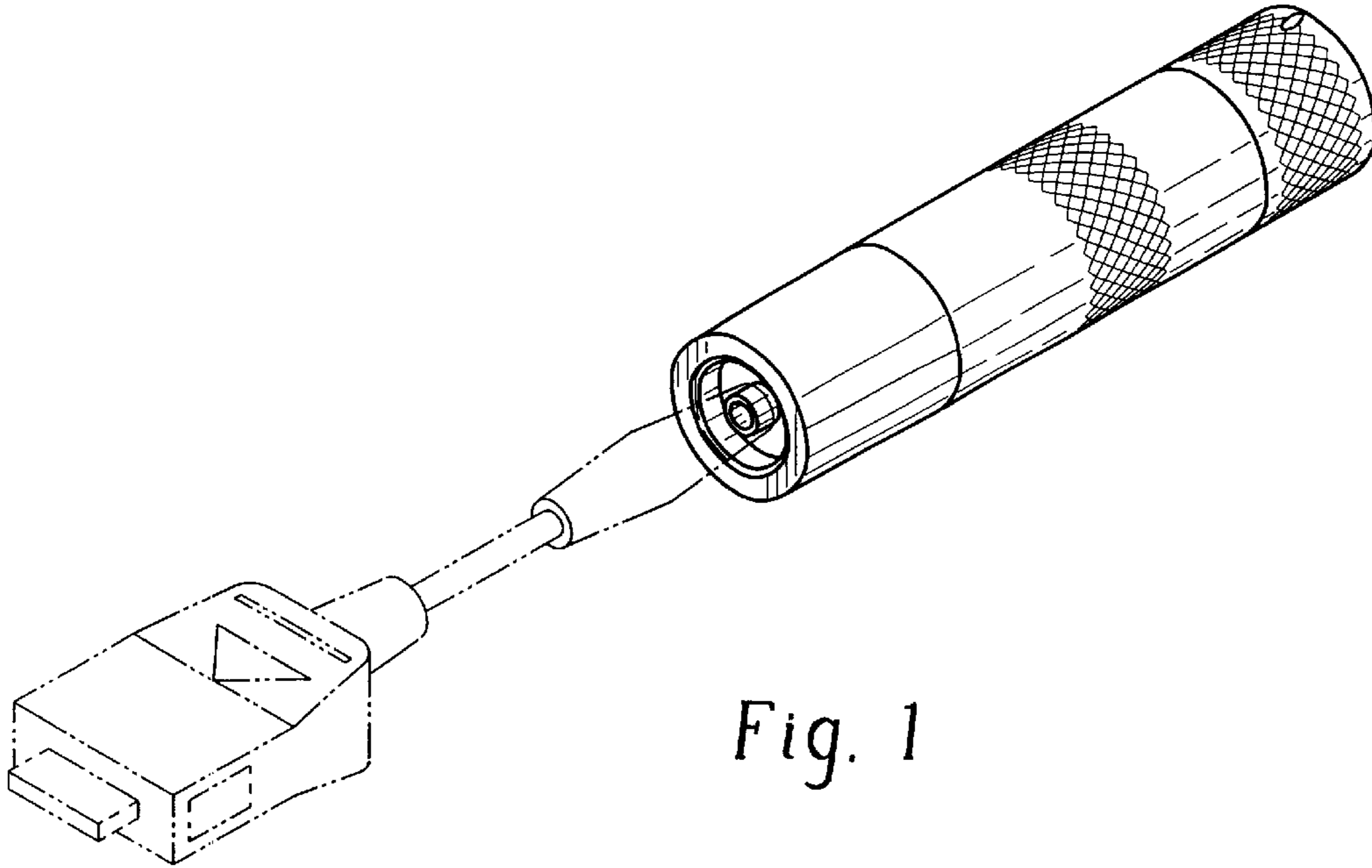


Fig. 1

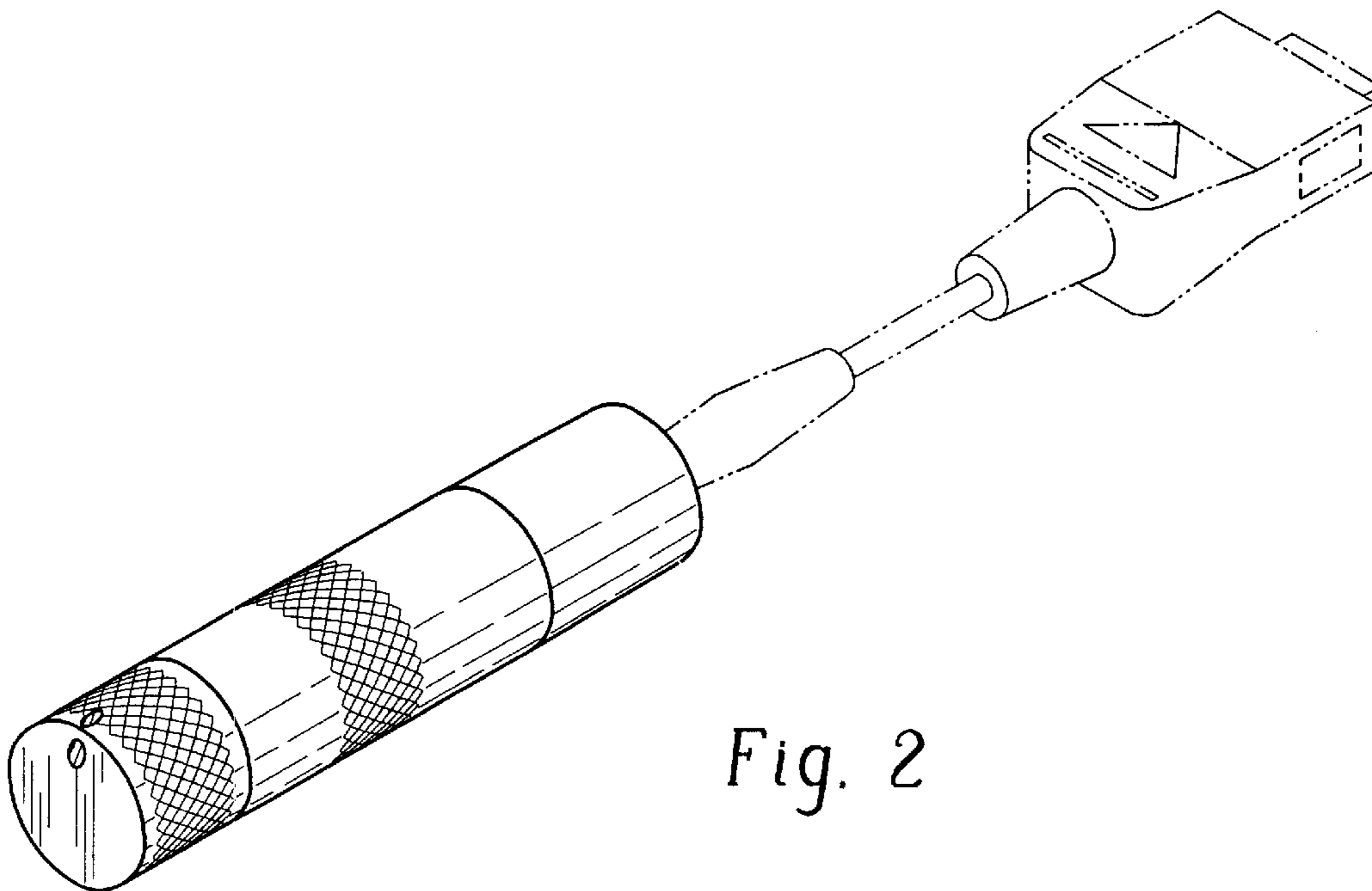


Fig. 2

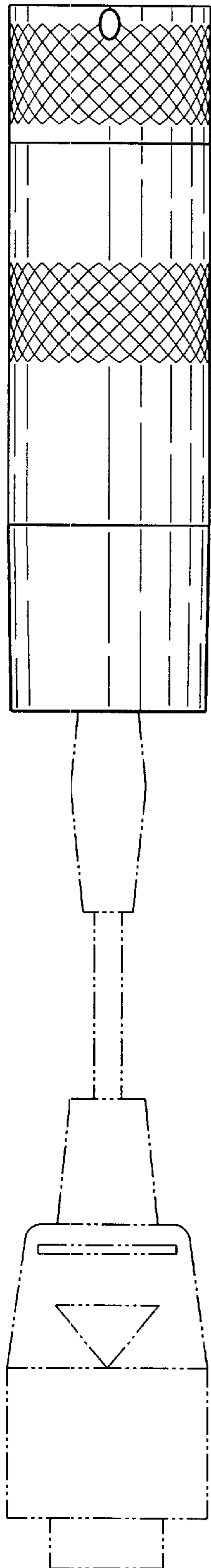


Fig. 3

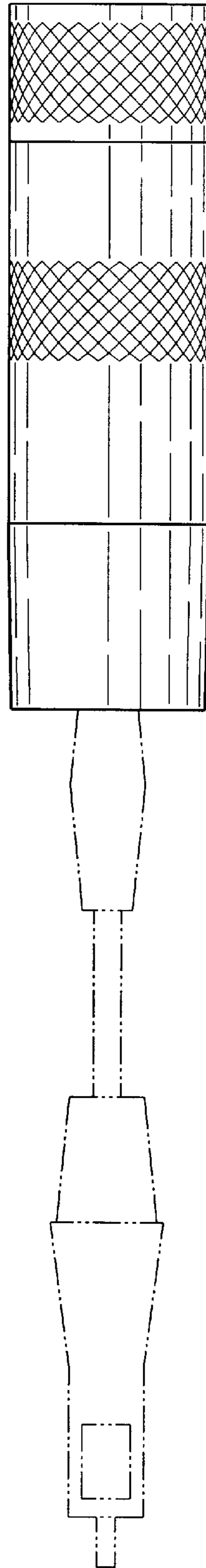


Fig. 4

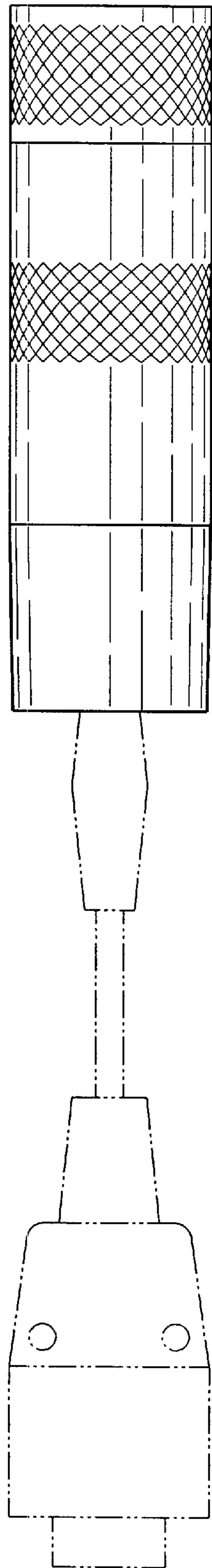


Fig. 5

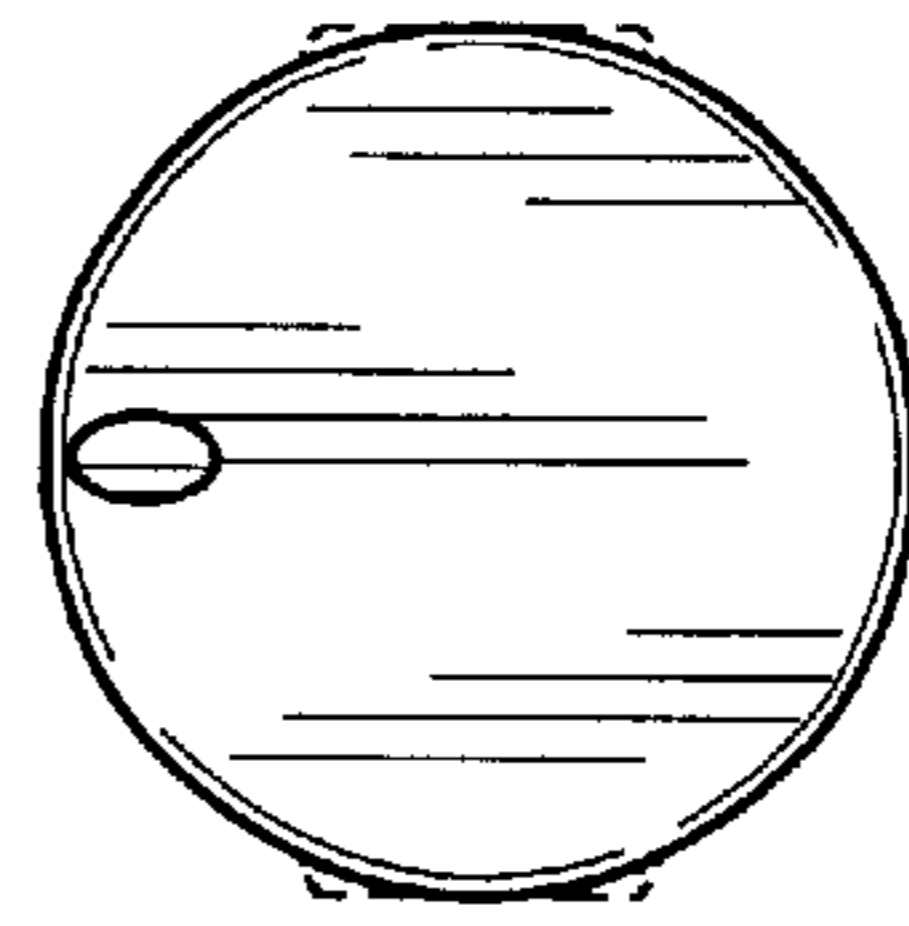


Fig. 7

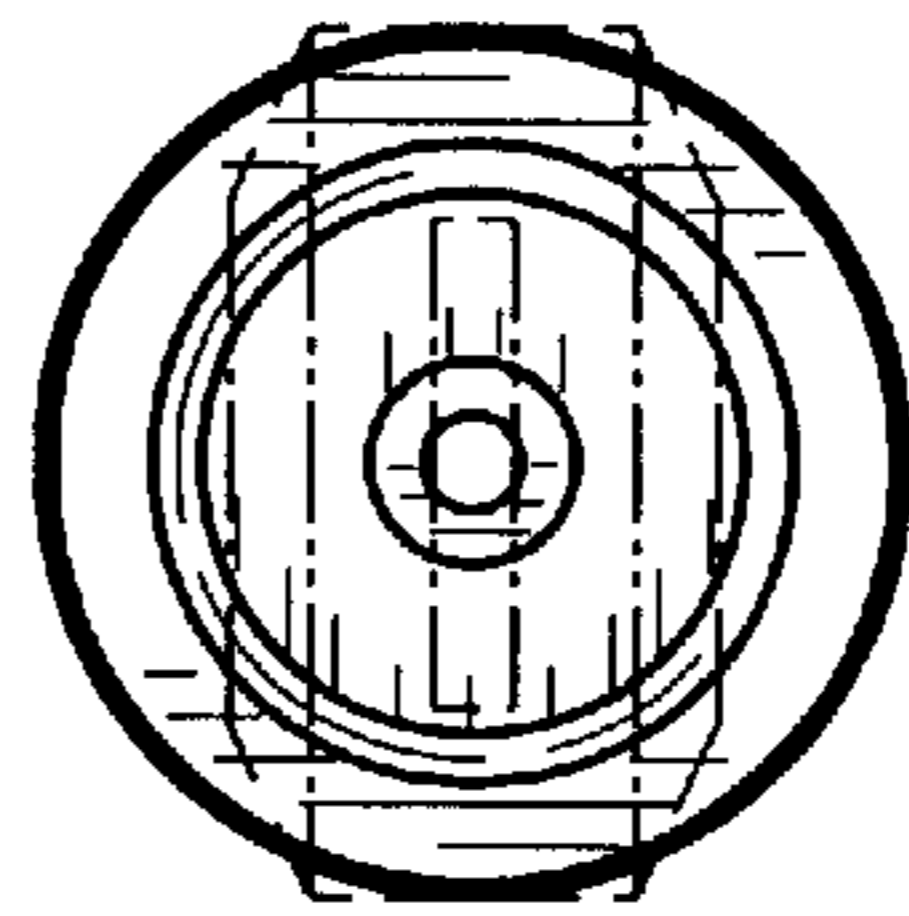


Fig. 6