



US00D532741S

(12) **United States Design Patent**  
**Lin**

(10) **Patent No.:** **US D532,741 S**

(45) **Date of Patent:** **\*\* Nov. 28, 2006**

(54) **WINDSHIELD WIPER BLADE CLEANER**

(75) Inventor: **Arlo Lin**, Las Vegas, NV (US)

(73) Assignee: **Esito International LLC.**, Las Vegas, NV (US)

(\*\*) Term: **14 Years**

(21) Appl. No.: **29/251,358**

(22) Filed: **Jan. 6, 2006**

(51) **LOC (8) Cl.** ..... **12-06**

(52) **U.S. Cl.** ..... **D12/220; D32/46; D32/40**

(58) **Field of Classification Search** ..... **D32/40-42, D32/46, 39; D12/219-220; 15/105, 236.06, 15/236.05, 236.02, 250.41-250.42, 250.36, 15/250.48; D25/119; D7/696**

See application file for complete search history.

(56) **References Cited**

**U.S. PATENT DOCUMENTS**

- D49,182 S \* 6/1916 Gregwer ..... D32/46
- D50,078 S \* 12/1916 Schmitt ..... D32/46
- D233,586 S \* 11/1974 Kopp ..... D32/46
- D242,209 S \* 11/1976 Klein ..... D32/40
- D269,944 S \* 8/1983 Young ..... D8/349

- D302,880 S \* 8/1989 Terry ..... D32/46
- D332,160 S \* 12/1992 Kuzma ..... D32/41
- D343,484 S \* 1/1994 Moran et al. .... D32/40
- 5,426,895 A \* 6/1995 Siciliano et al. .... 451/523
- 5,860,182 A \* 1/1999 Sareyani ..... 15/114
- 6,017,267 A \* 1/2000 Ariza et al. .... 451/523
- 6,760,951 B1 \* 7/2004 Wynen et al. .... 15/250.48

\* cited by examiner

*Primary Examiner*—Pamela J. Burgess

(74) *Attorney, Agent, or Firm*—Alan D. Kamrath; Nikolai & Mersereau, P.A.

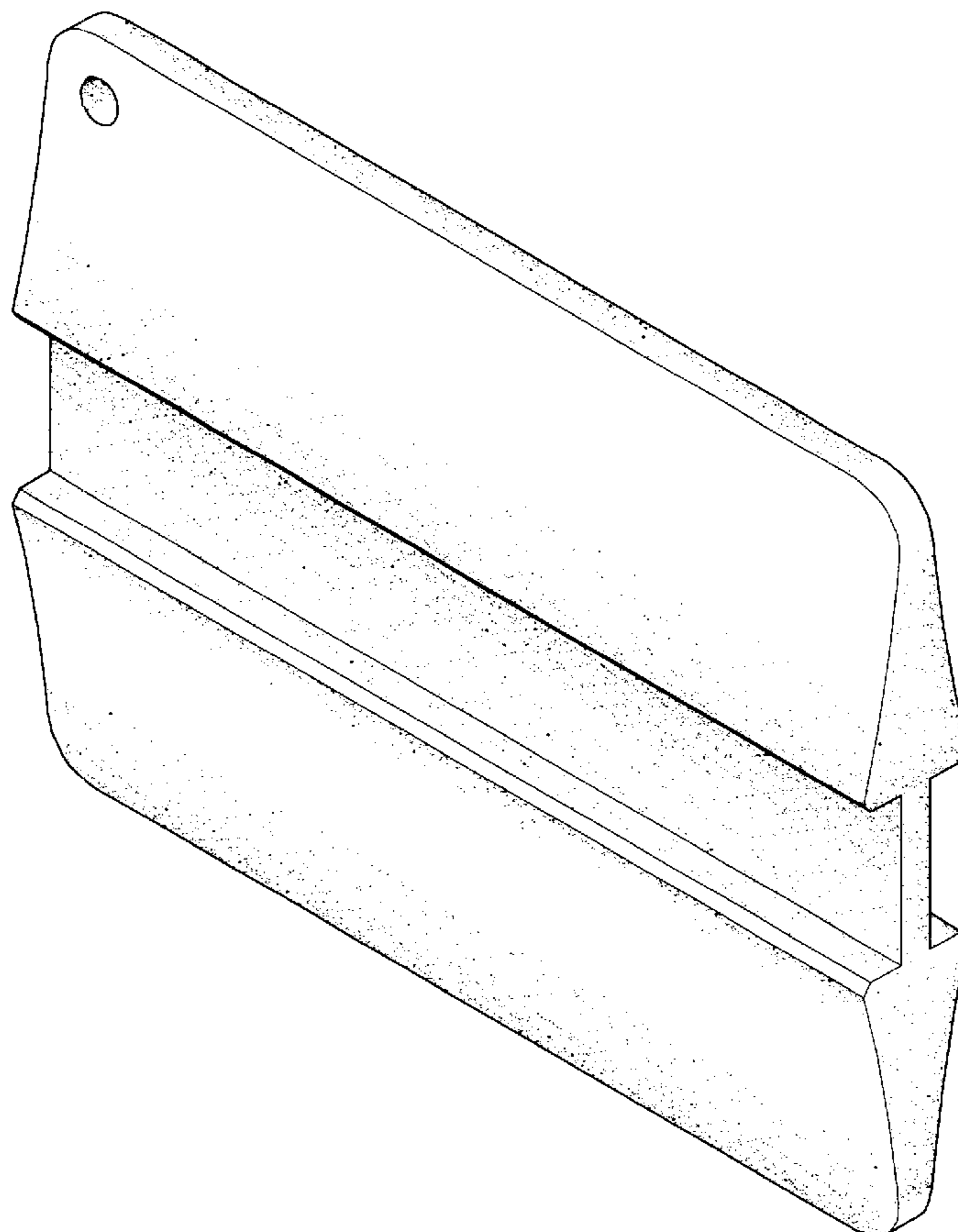
(57) **CLAIM**

The ornamental design for windshield wiper blade cleaner, as shown and described.

**DESCRIPTION**

FIG. 1 is a perspective view of a windshield wiper blade cleaner showing my new design;  
 FIG. 2 is a front view thereof;  
 FIG. 3 is a rear view thereof;  
 FIG. 4 is a left view thereof; the opposite side being a mirror image of the shown;  
 FIG. 5 is a top view thereof; and,  
 FIG. 6 is a bottom view thereof.

**1 Claim, 3 Drawing Sheets**



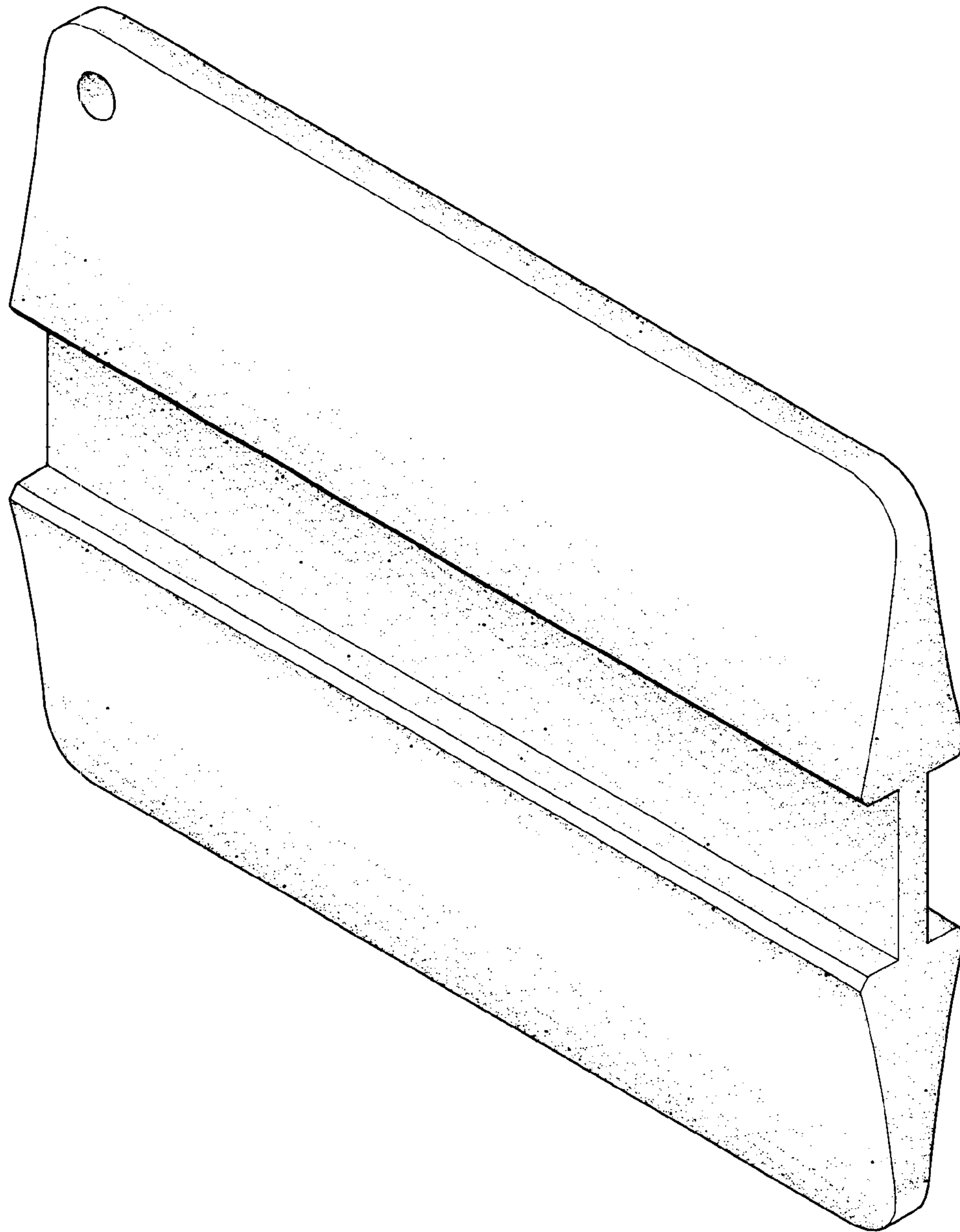


Fig. 1

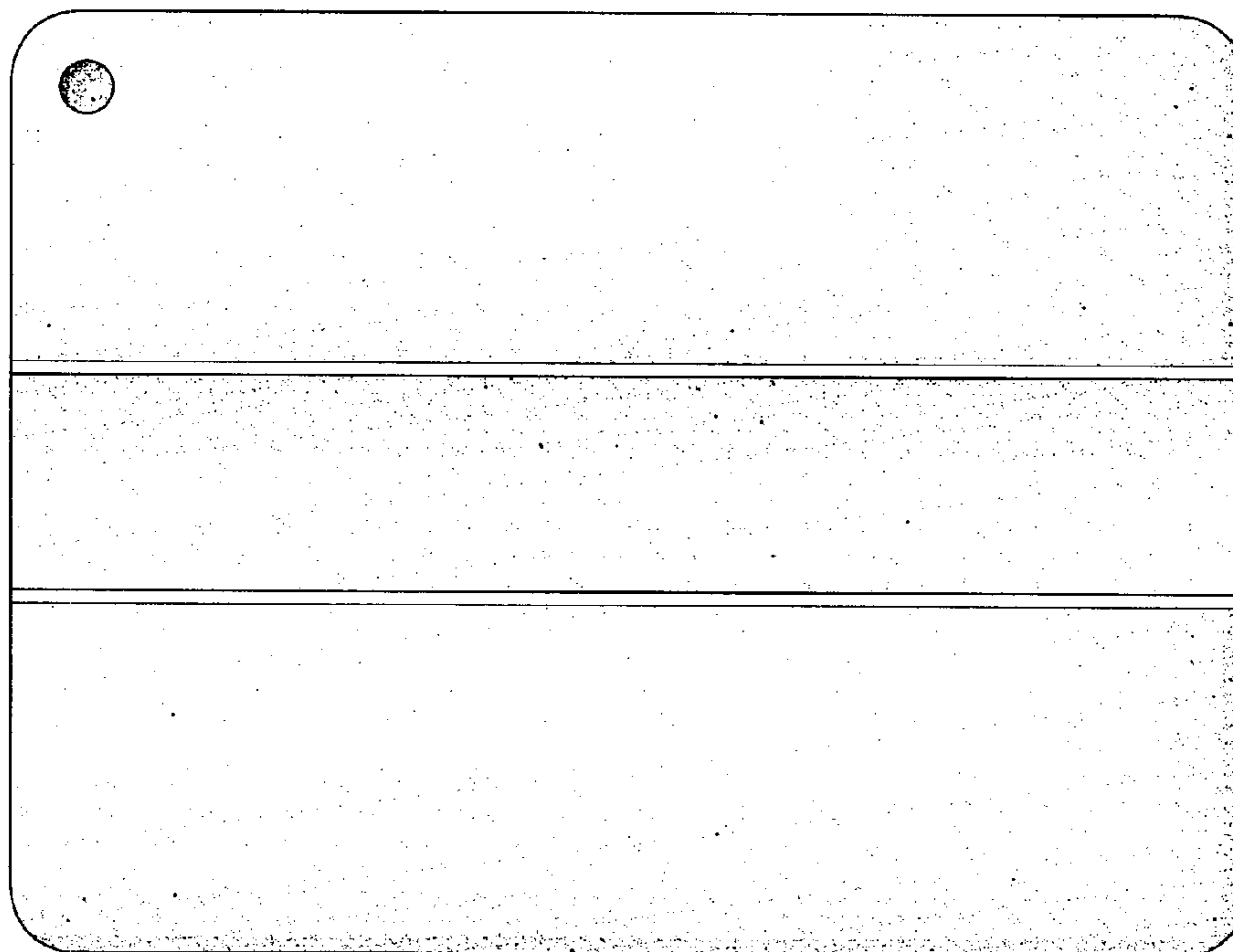


Fig. 2

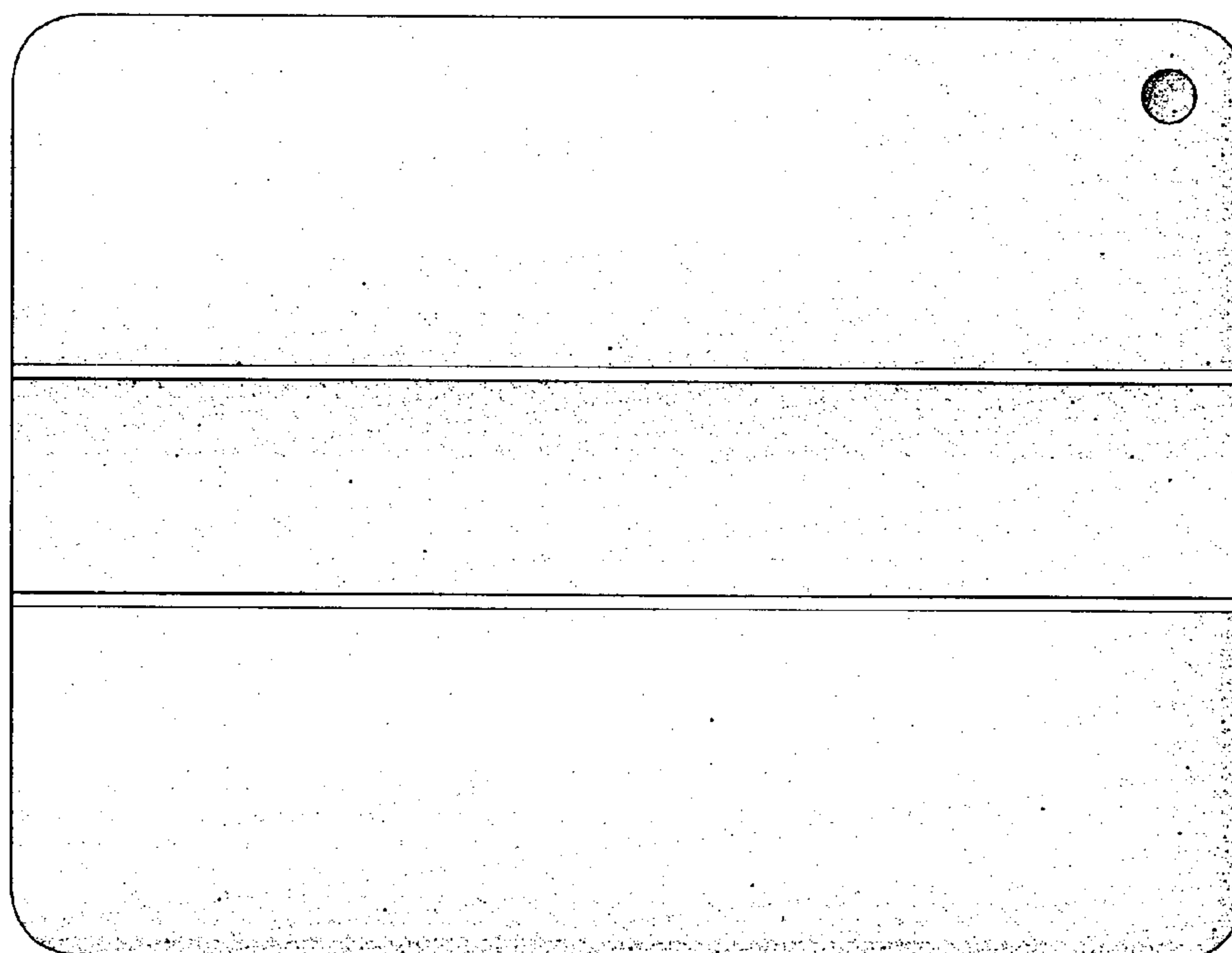


Fig. 3

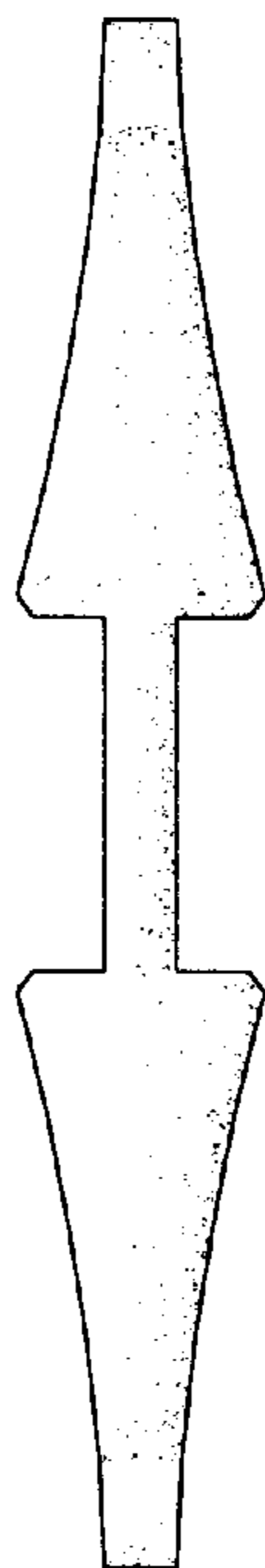


Fig. 4

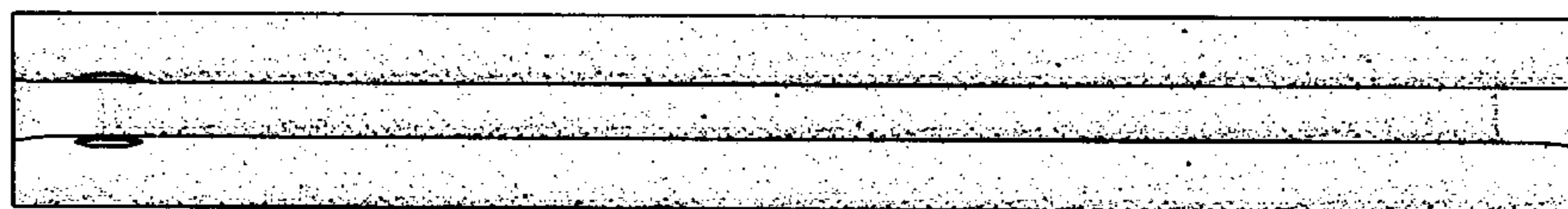


Fig. 5

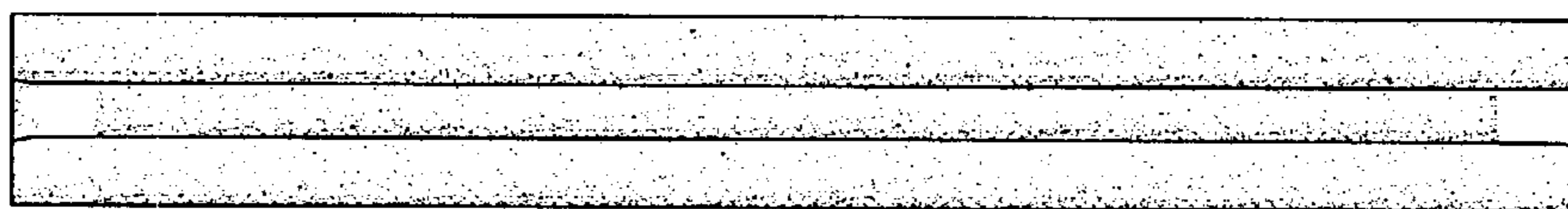


Fig. 6