



US00D532740S

(12) **United States Design Patent**
Ettensberger

(10) **Patent No.:** **US D532,740 S**

(45) **Date of Patent:** **** Nov. 28, 2006**

(54) **FRONT FACE OF A VEHICLE WHEEL**

(75) Inventor: **Claus Ettensberger**, Gardena, CA (US)

(73) Assignee: **Claus Ettensberger Corp.**, Gardena, CA (US)

(**) Term: **14 Years**

(21) Appl. No.: **29/260,675**

(22) Filed: **May 31, 2006**

(51) **LOC (8) Cl.** **12-16**

(52) **U.S. Cl.** **D12/211**

(58) **Field of Classification Search** D12/204-213;
301/37.101, 64.101, 65

See application file for complete search history.

(56) **References Cited**

U.S. PATENT DOCUMENTS

D481,664 S * 11/2003 Vian D12/211
D490,040 S * 5/2004 Foose D12/211

D495,985 S * 9/2004 Lai D12/209
D518,764 S * 4/2006 Looho D12/209
D519,905 S * 5/2006 Muzzarelli D12/209
D520,436 S * 5/2006 Muzzarelli D12/211
D522,947 S * 6/2006 Hieke D12/209

* cited by examiner

Primary Examiner—Stacia Cadmus

(74) *Attorney, Agent, or Firm*—Berenato, White & Stavish

(57) **CLAIM**

The ornamental design for front face of a vehicle wheel, as shown and described.

DESCRIPTION

FIG. 1 is a front view of a front face of a vehicle wheel showing our new design; and, FIG. 2 is a top and left side perspective view of the wheel shown in FIG. 1.

The broken line showing of environment is for illustrative purposes only and forms no part of the claimed design.

1 Claim, 2 Drawing Sheets

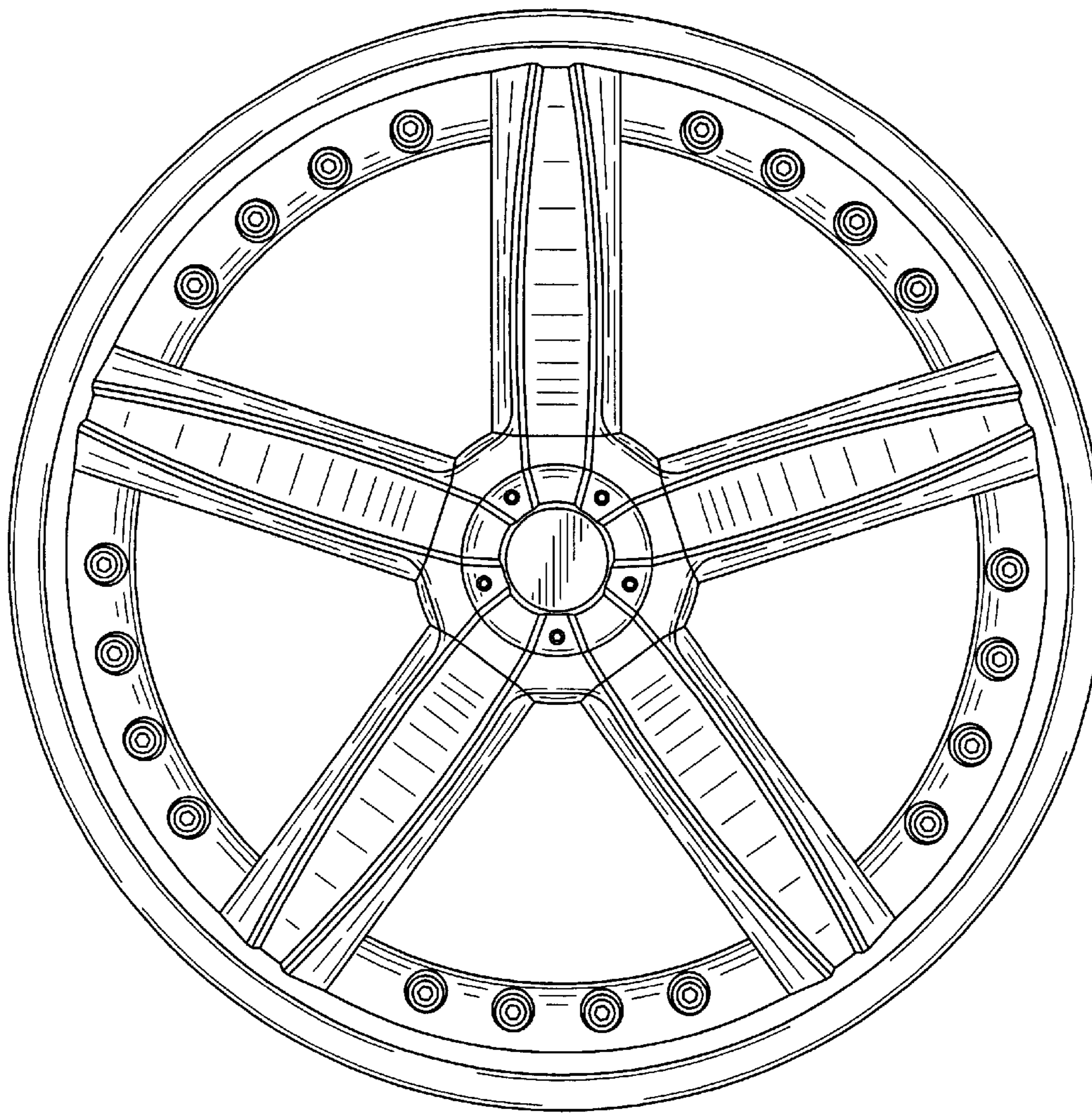


Fig. 1

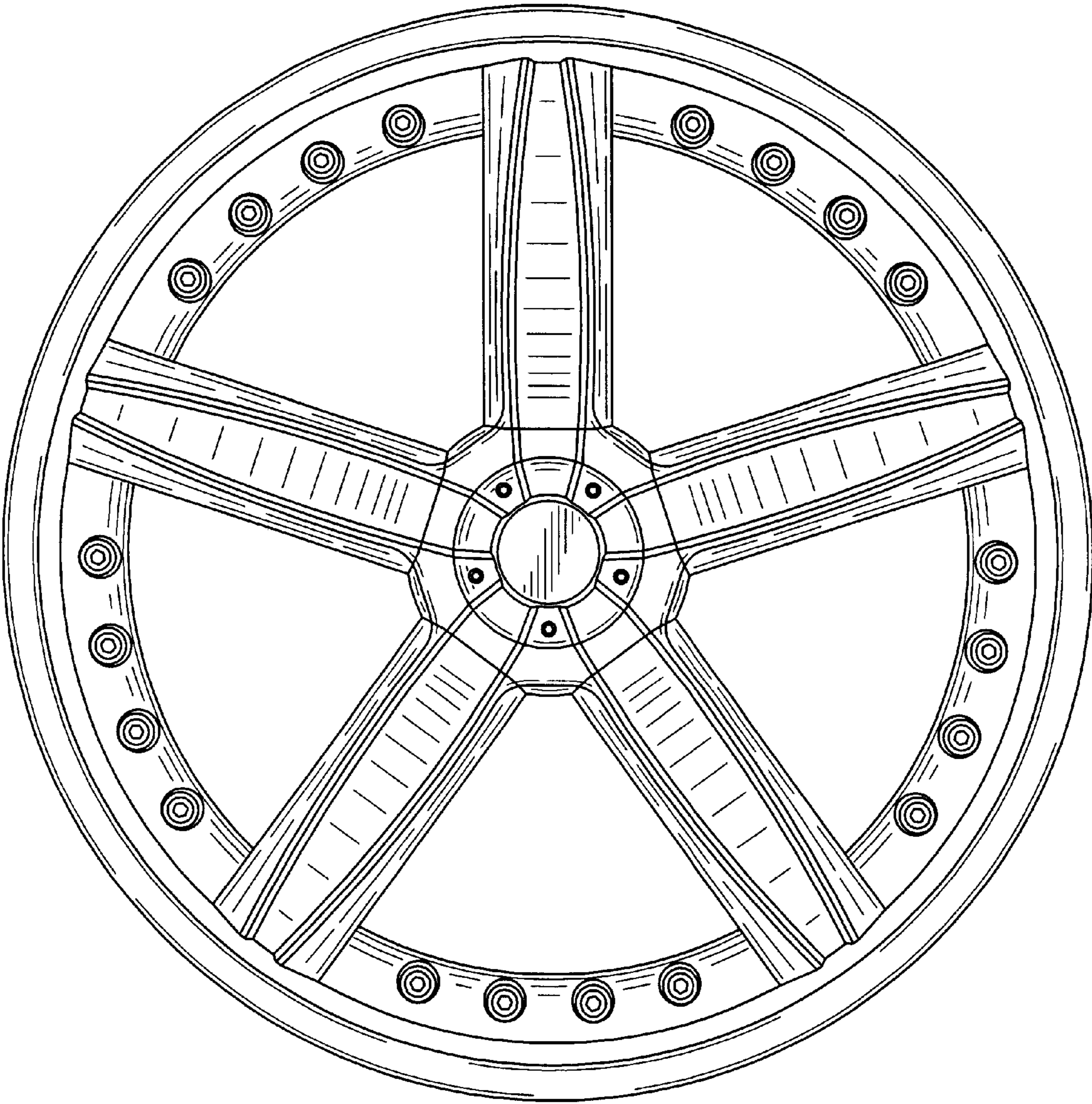


Fig. 2

