



US00D532737S

(12) **United States Design Patent**
Clottu

(10) **Patent No.:** **US D532,737 S**

(45) **Date of Patent:** **** Nov. 28, 2006**

(54) **FRONT FACE OF A VEHICLE WHEEL**

(75) Inventor: **Fabien Clottu**, Munich (DE)

(73) Assignee: **Bayerische Motoren Werke
Aktiengesellschaft**, Munich (DE)

(**) Term: **14 Years**

(21) Appl. No.: **29/260,241**

(22) Filed: **May 23, 2006**

(30) **Foreign Application Priority Data**

Nov. 24, 2005 (DE) 40506027

(51) **LOC (8) Cl.** **12-16**

(52) **U.S. Cl.** **D12/211**

(58) **Field of Classification Search** D12/204-213;
301/37.101, 64.101, 65

See application file for complete search history.

(56) **References Cited**

U.S. PATENT DOCUMENTS

D433,370 S * 11/2000 Hussaini et al. D12/209

D437,821 S * 2/2001 Frohlich D12/211

D451,876 S * 12/2001 Kohl D12/211
D453,134 S * 1/2002 Murkett et al. D12/209
D467,213 S * 12/2002 Pfeiffer et al. D12/211
D481,663 S * 11/2003 Maifrini D12/211
D486,769 S * 2/2004 Gallert D12/209
D491,872 S * 6/2004 Lai D12/211
D492,927 S * 7/2004 Fitzgerald D12/211
D506,717 S * 6/2005 Gallert D12/209
D515,003 S * 2/2006 Echazabal D12/211
D522,952 S * 6/2006 Nakahara D12/211

* cited by examiner

Primary Examiner—Stacia Cadmus

(74) *Attorney, Agent, or Firm*—Crowell & Moring LLP

(57) **CLAIM**

The ornamental design for a front face of a vehicle wheel,
as shown and described.

DESCRIPTION

FIG. 1 is a front view of a front face of a vehicle wheel
according to my novel design; and,
FIG. 2 is a perspective view thereof.
The broken lines are for illustrative purposes only and form
no part of the claimed design.

1 Claim, 1 Drawing Sheet



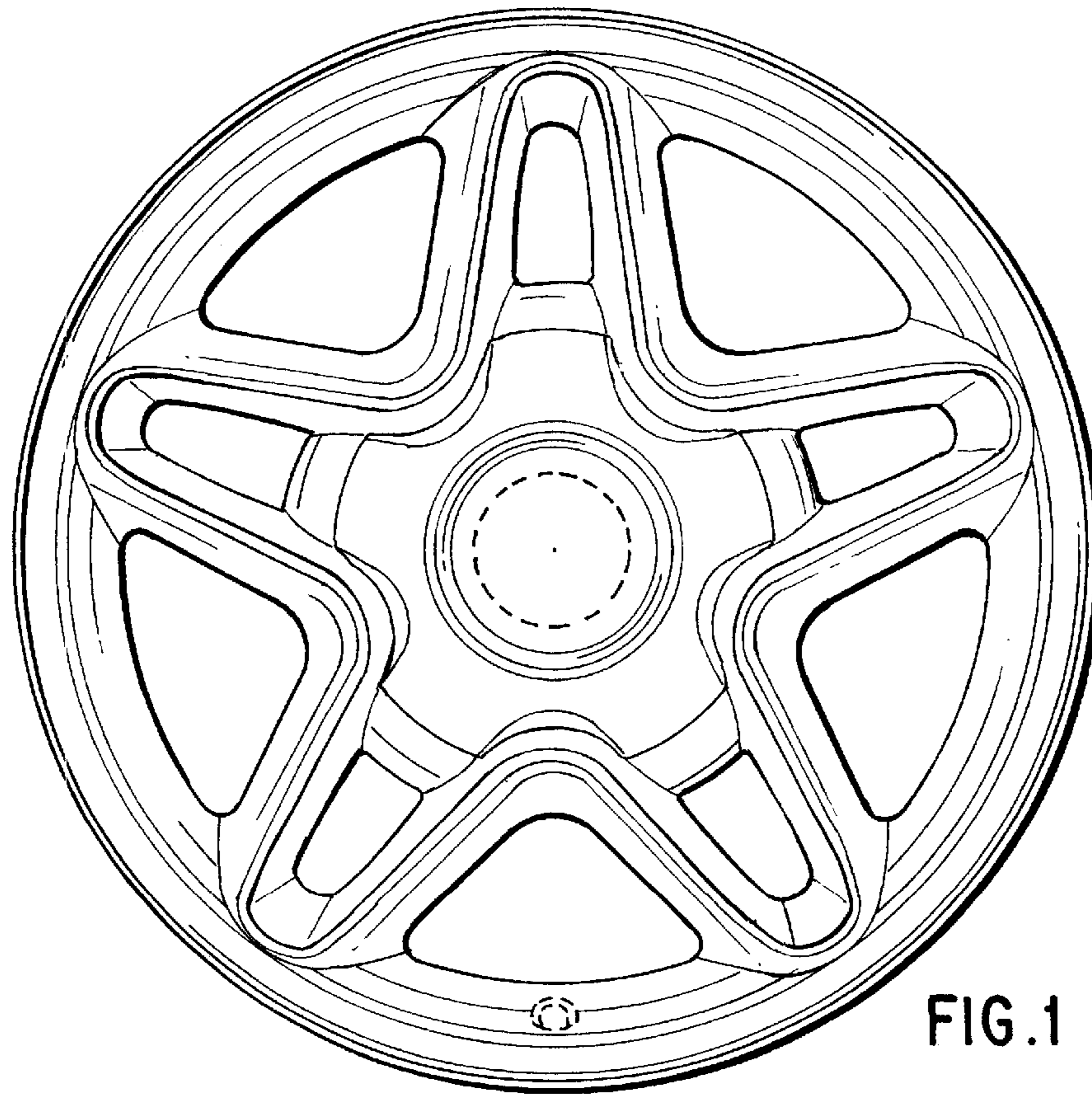


FIG. 1

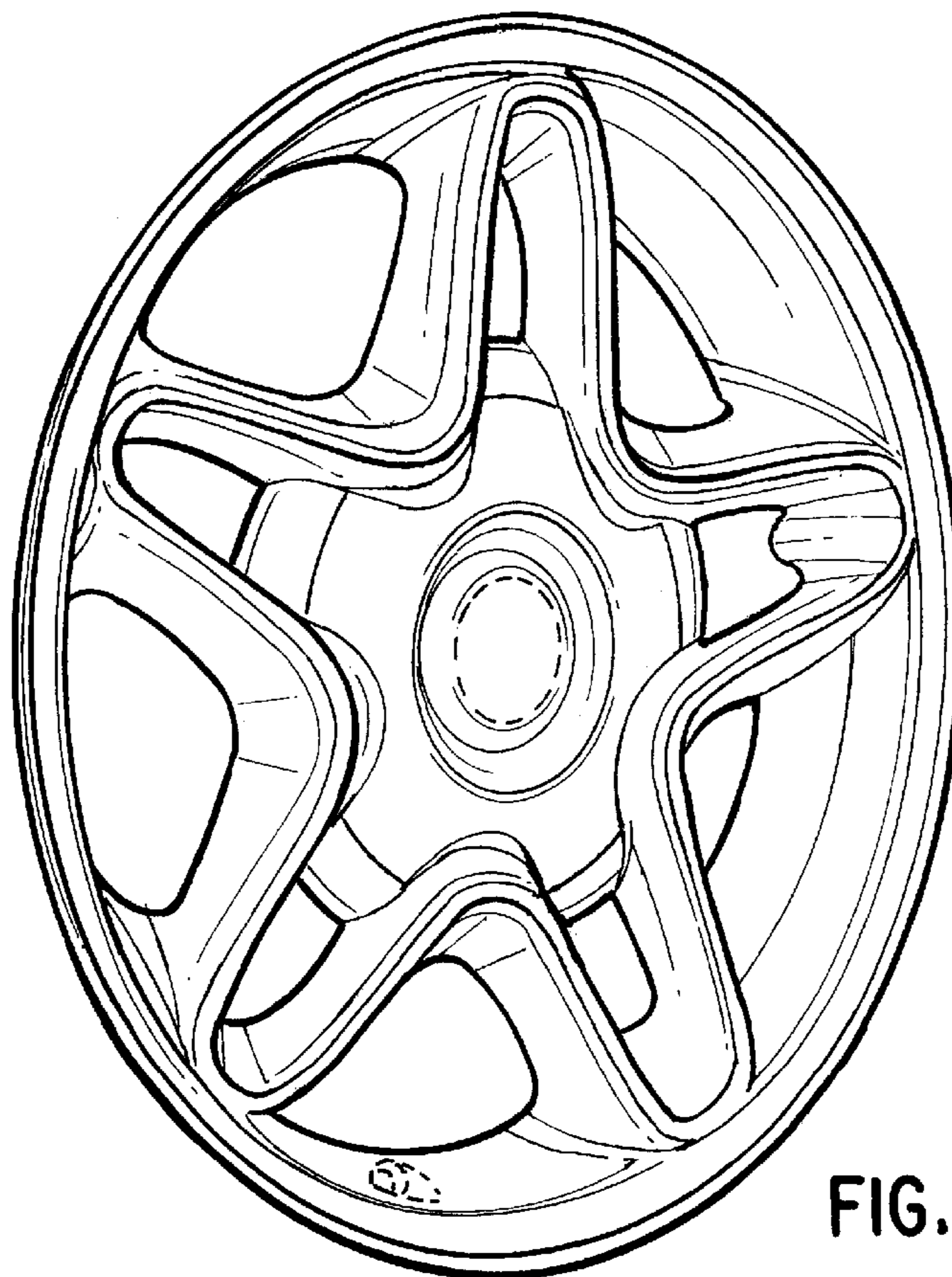


FIG. 2