



US00D532734S

(12) **United States Design Patent**  
**Hieke**

(10) **Patent No.:** **US D532,734 S**

(45) **Date of Patent:** **\*\* \*Nov. 28, 2006**

(54) **FRONT FACE OF A VEHICLE WHEEL**

(75) Inventor: **Claus Hieke**, Sindelfingen (DE)

(73) Assignee: **DaimlerChrysler AG**, Stuttgart (DE)

(\*) Notice: This patent is subject to a terminal disclaimer.

(\*\*) Term: **14 Years**

(21) Appl. No.: **29/220,599**

(22) Filed: **Jan. 4, 2005**

(30) **Foreign Application Priority Data**

Jul. 7, 2004 (DE) ..... 4 04 03 902

(51) **LOC (8) Cl.** ..... **12-16**

(52) **U.S. Cl.** ..... **D12/209**

(58) **Field of Classification Search** ..... D12/204-213;  
301/37.101, 64.101, 65  
See application file for complete search history.

(56) **References Cited**

**U.S. PATENT DOCUMENTS**

D361,976 S	*	9/1995	Echazabal et al. ....	D12/211
D412,149 S	*	7/1999	Corioni .....	D12/211
D419,940 S	*	2/2000	Sacco et al. ....	D12/209
D430,523 S	*	9/2000	Pfeiffer .....	D12/209
D452,838 S	*	1/2002	Hieke .....	D12/209
D454,325 S	*	3/2002	Hieke .....	D12/209
D458,208 S	*	6/2002	Hartl .....	D12/211
D461,440 S	*	8/2002	Koch .....	D12/211

D461,756 S	*	8/2002	Hieke .....	D12/211
D462,309 S	*	9/2002	Hieke .....	D12/211
D478,306 S	*	8/2003	Brown et al. ....	D12/211
D480,037 S	*	9/2003	Takechi .....	D12/211
D487,242 S	*	3/2004	Lecher et al. ....	D12/211
D514,495 S	*	2/2006	Hieke .....	D12/211
D515,996 S	*	2/2006	Baumgartner .....	D12/209
D521,435 S	*	5/2006	Fitzgerald .....	D12/209
D522,946 S	*	6/2006	Hieke .....	D12/209
D522,947 S	*	6/2006	Hieke .....	D12/209

\* cited by examiner

*Primary Examiner*—Stacia Cadmus

(74) *Attorney, Agent, or Firm*—Crowell & Moring LLP

(57) **CLAIM**

The ornamental design for a front face of a vehicle wheel, as shown and described.

**DESCRIPTION**

FIG. 1 is a front view of a first embodiment of a front face of a vehicle wheel according to my novel design;

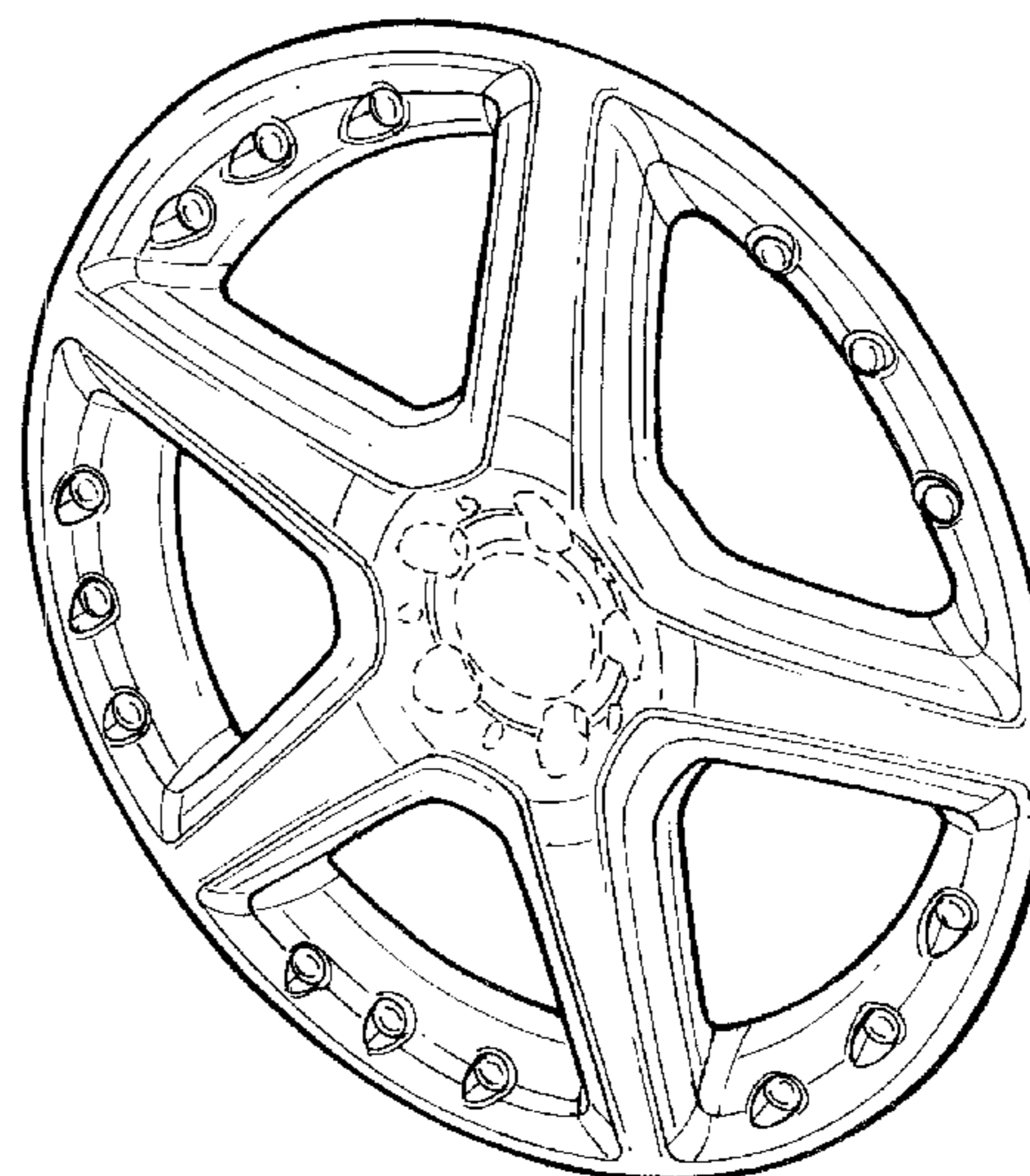
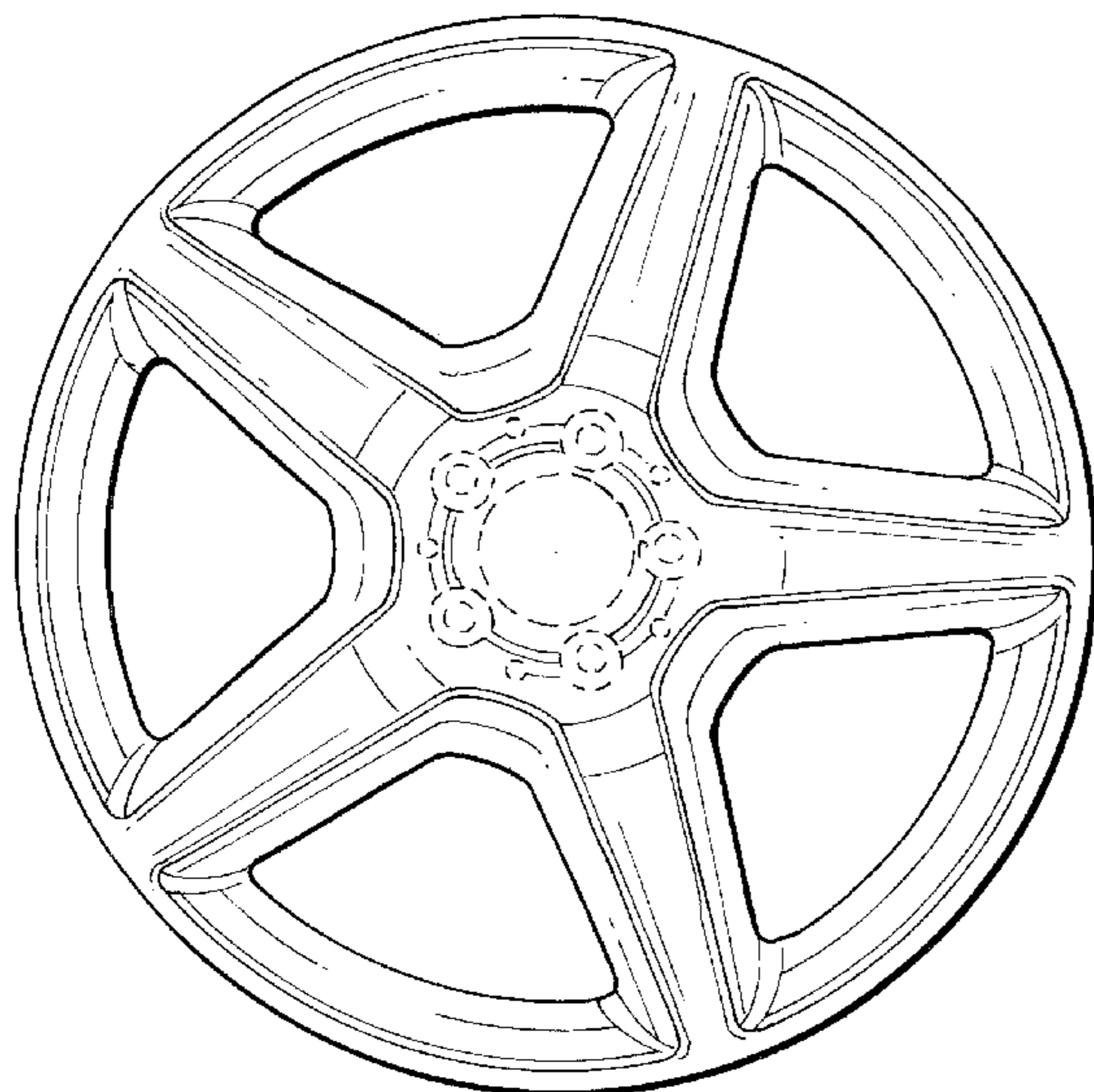
FIG. 2 is a perspective view of the first embodiment of the front face of a vehicle wheel according to my novel design;

FIG. 3 is a front view of a second embodiment of the front face of a vehicle wheel according to my novel design; and,

FIG. 4 is a perspective view of the second embodiment of the front face of a vehicle wheel according to my novel design.

The broken lines are for illustrative purposes only and form no part of the claimed design.

**1 Claim, 2 Drawing Sheets**



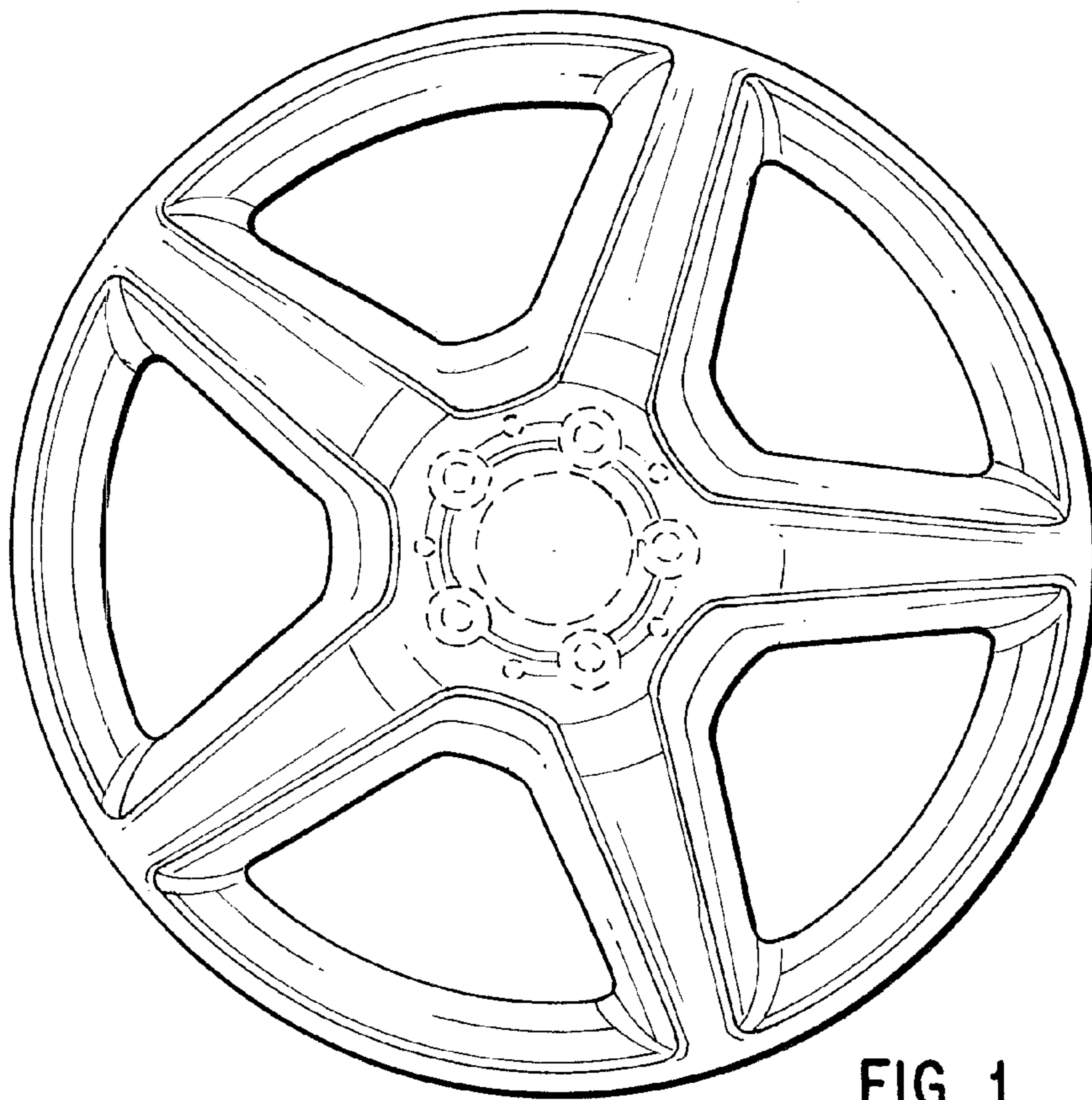


FIG. 1

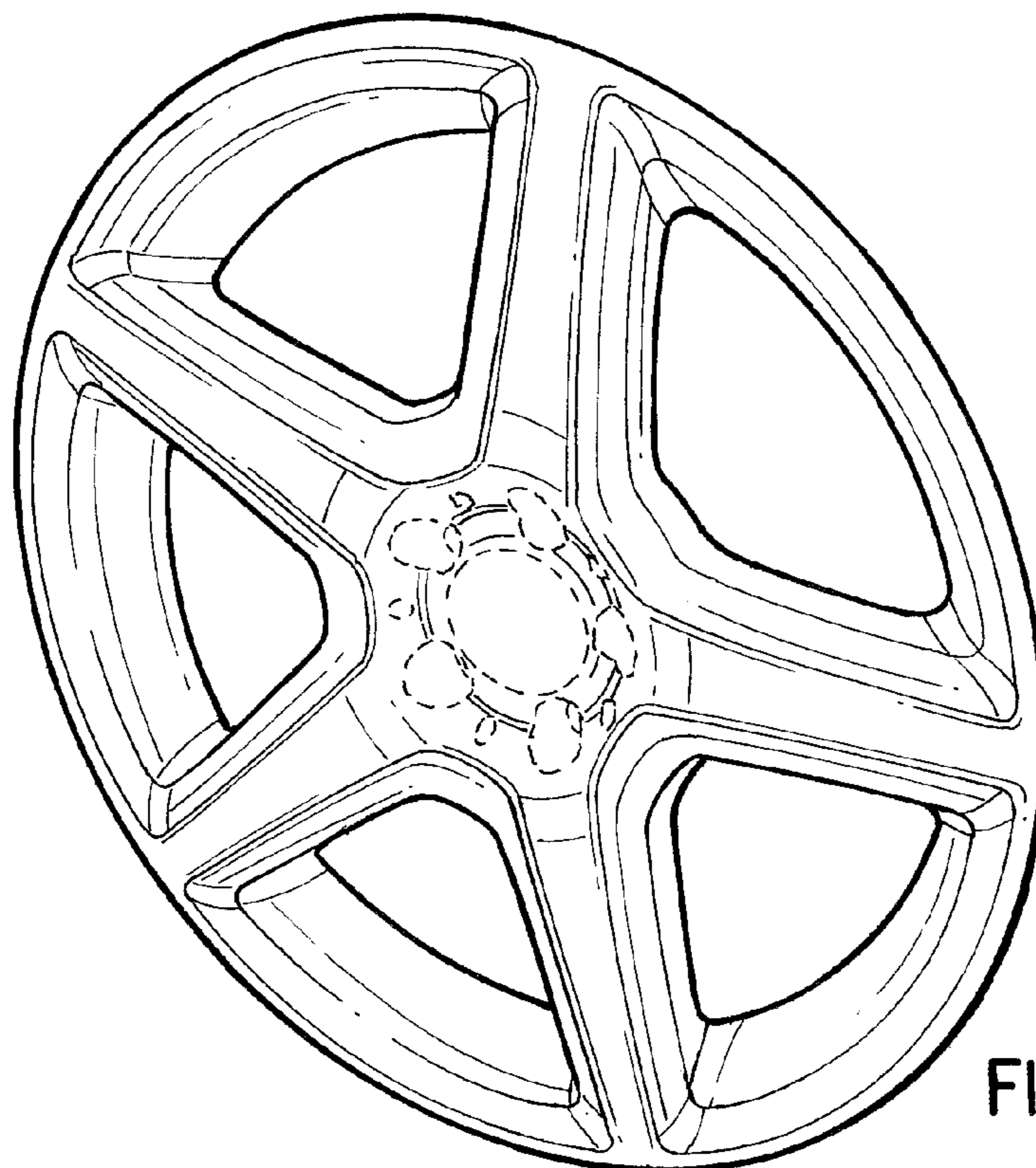


FIG. 2

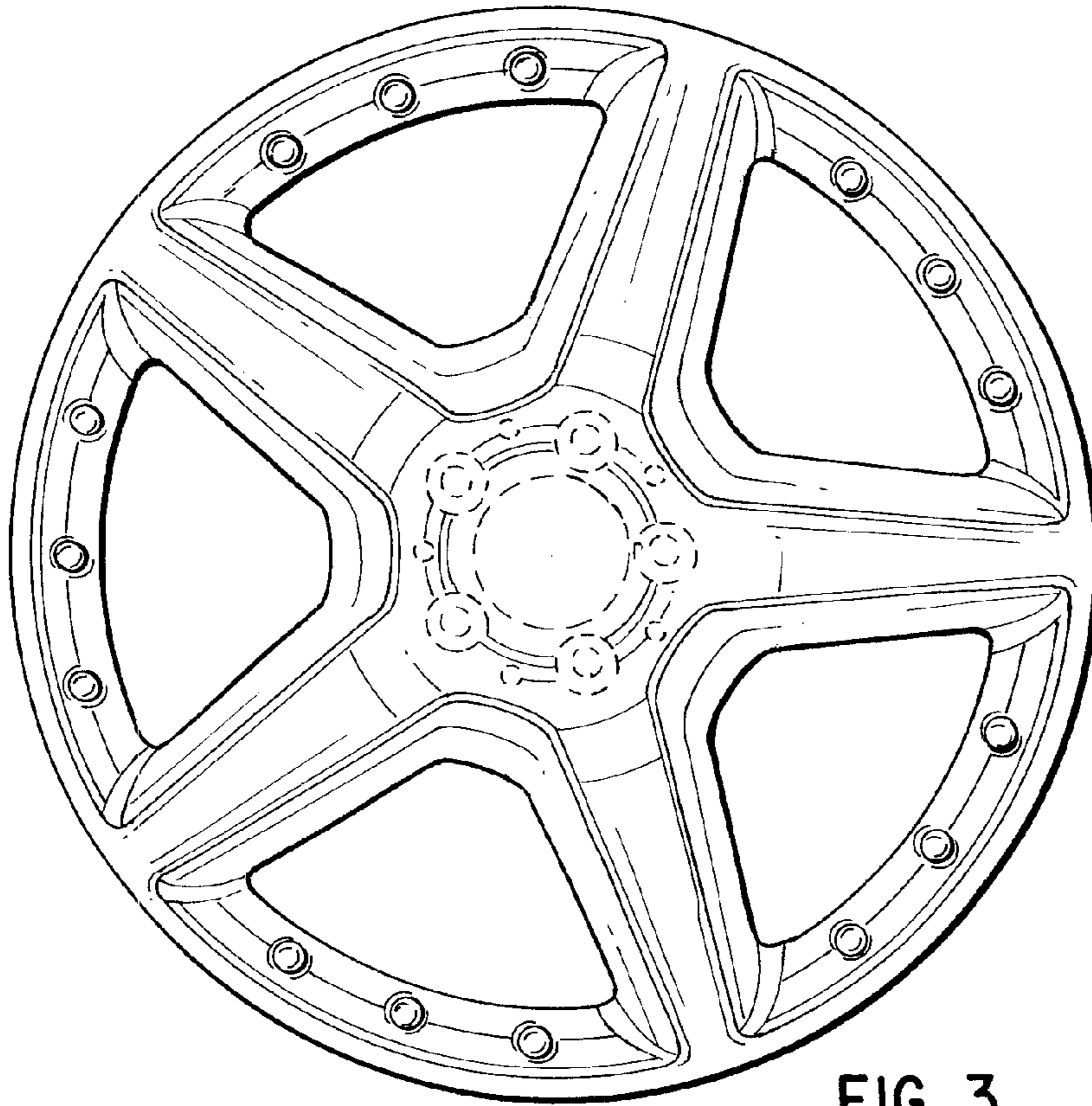


FIG. 3

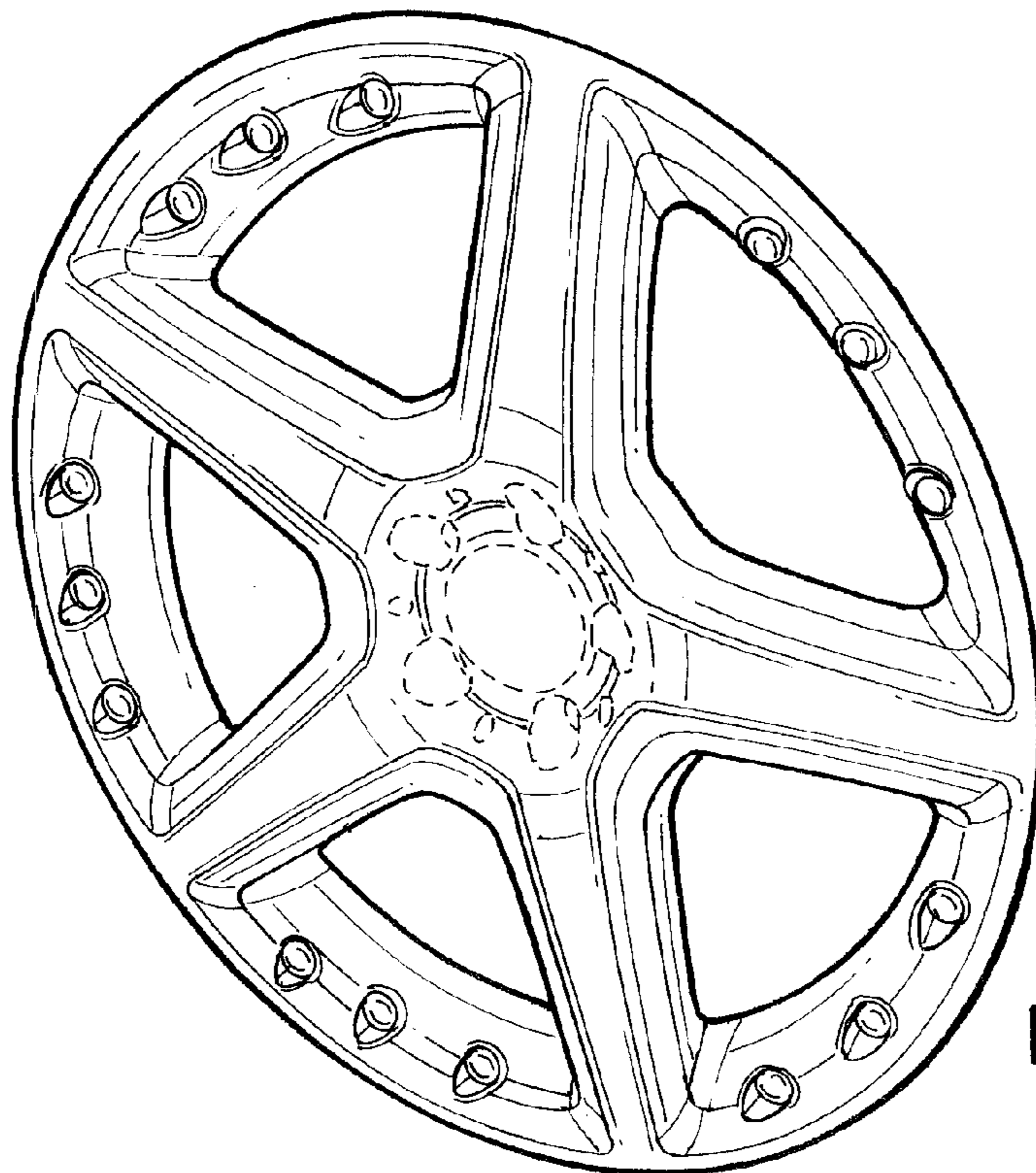


FIG. 4