



US00D532730S

(12) **United States Design Patent**
Kohara et al.

(10) **Patent No.:** **US D532,730 S**

(45) **Date of Patent:** **** Nov. 28, 2006**

(54) **INSTRUMENT PANEL FOR AUTOMOBILE**

(75) Inventors: **Kunio Kohara**, Saitama-ken (JP);
Keiko Itou, Saitama-ken (JP); **Shuichi**
Tsunoda, Saitama-ken (JP); **Osamu**
Nakajima, Saitama-ken (JP)

(73) Assignee: **Honda Motor Co., Ltd.**, Tokyo (JP)

(**) Term: **14 Years**

(21) Appl. No.: **29/261,949**

(22) Filed: **Jun. 23, 2006**

(30) **Foreign Application Priority Data**

Dec. 28, 2005 (JP) 2005-38783

(51) **LOC (8) Cl.** **12-16**

(52) **U.S. Cl.** **D12/192**

(58) **Field of Classification Search** D12/192,
D12/345, 317; 180/90; 280/750-752; 296/190.01-190.09,
296/70; D15/17, 28; D10/46, 98, 102-103;
362/482, 489; 73/431, 866.3

See application file for complete search history.

(56) **References Cited**

U.S. PATENT DOCUMENTS

D439,211 S * 3/2001 Pfeiffer D12/192
D440,193 S * 4/2001 Pfeiffer D12/192

D469,391 S * 1/2003 Pfeiffer et al. D12/192
D492,632 S * 7/2004 Pfeiffer D12/192
D494,631 S * 8/2004 Douziech D20/42
6,843,521 B1 * 1/2005 Oana 296/70
D501,811 S * 2/2005 Fukuda et al. D12/192
D512,006 S * 11/2005 Sims D12/192
D519,894 S * 5/2006 Asahi et al. D12/192

* cited by examiner

Primary Examiner—Stacia Cadmus

(74) *Attorney, Agent, or Firm*—Arent Fox PLLC

(57) **CLAIM**

The ornamental design for an instrument panel for automobile, as shown and described.

DESCRIPTION

FIG. 1 is a perspective view from the front left side of an instrument panel for automobile.

FIG. 2 is a perspective view from the front right side thereof.

FIG. 3 is a front elevation view thereof.

FIG. 4 is a top plan view thereof.

FIG. 5 is a left side elevation view thereof; and,

FIG. 6 is a right side elevation view thereof.

The portions of the article shown in broken lines is for illustrative purpose only and forms no part of the claimed design.

1 Claim, 6 Drawing Sheets

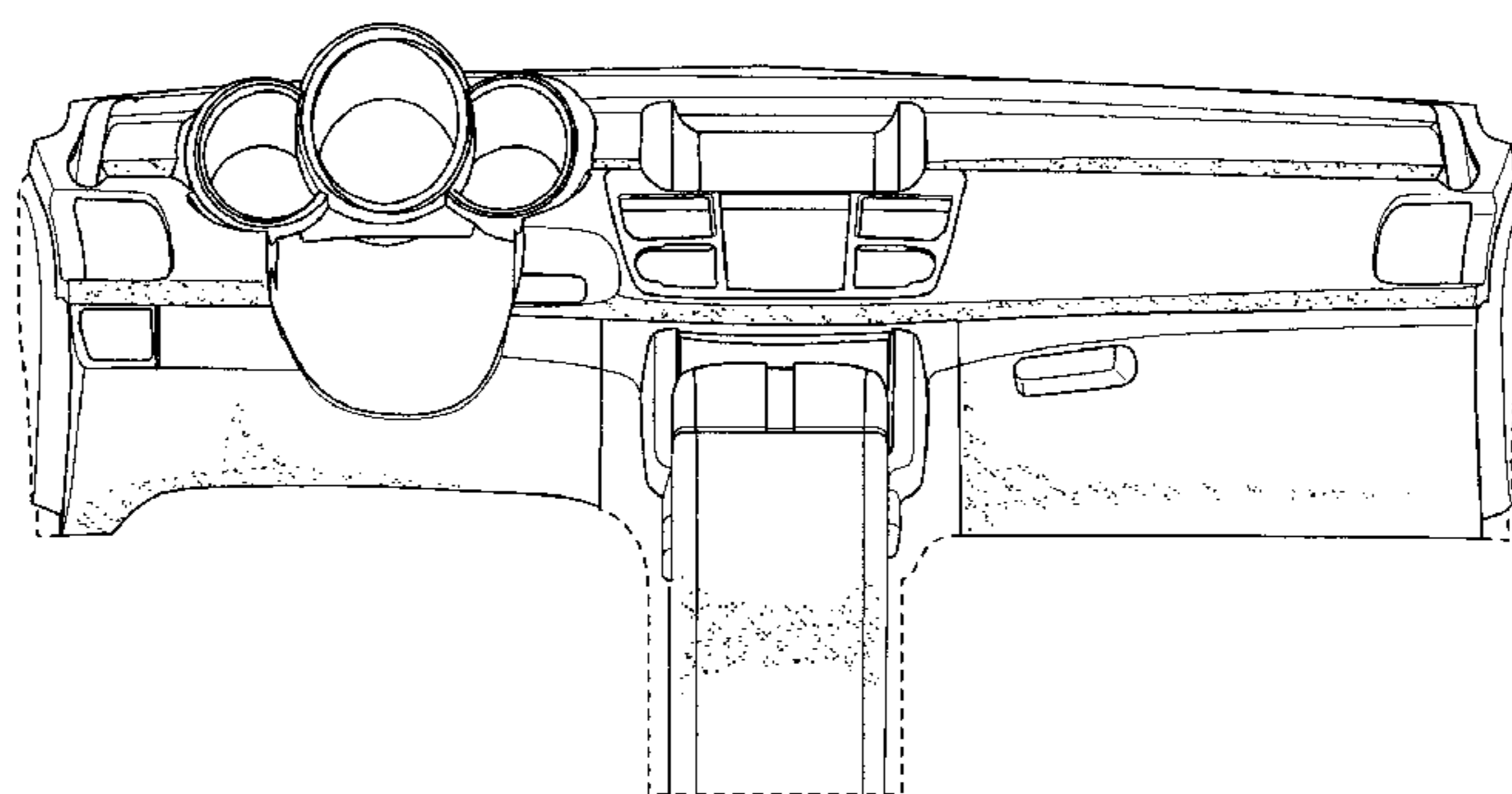
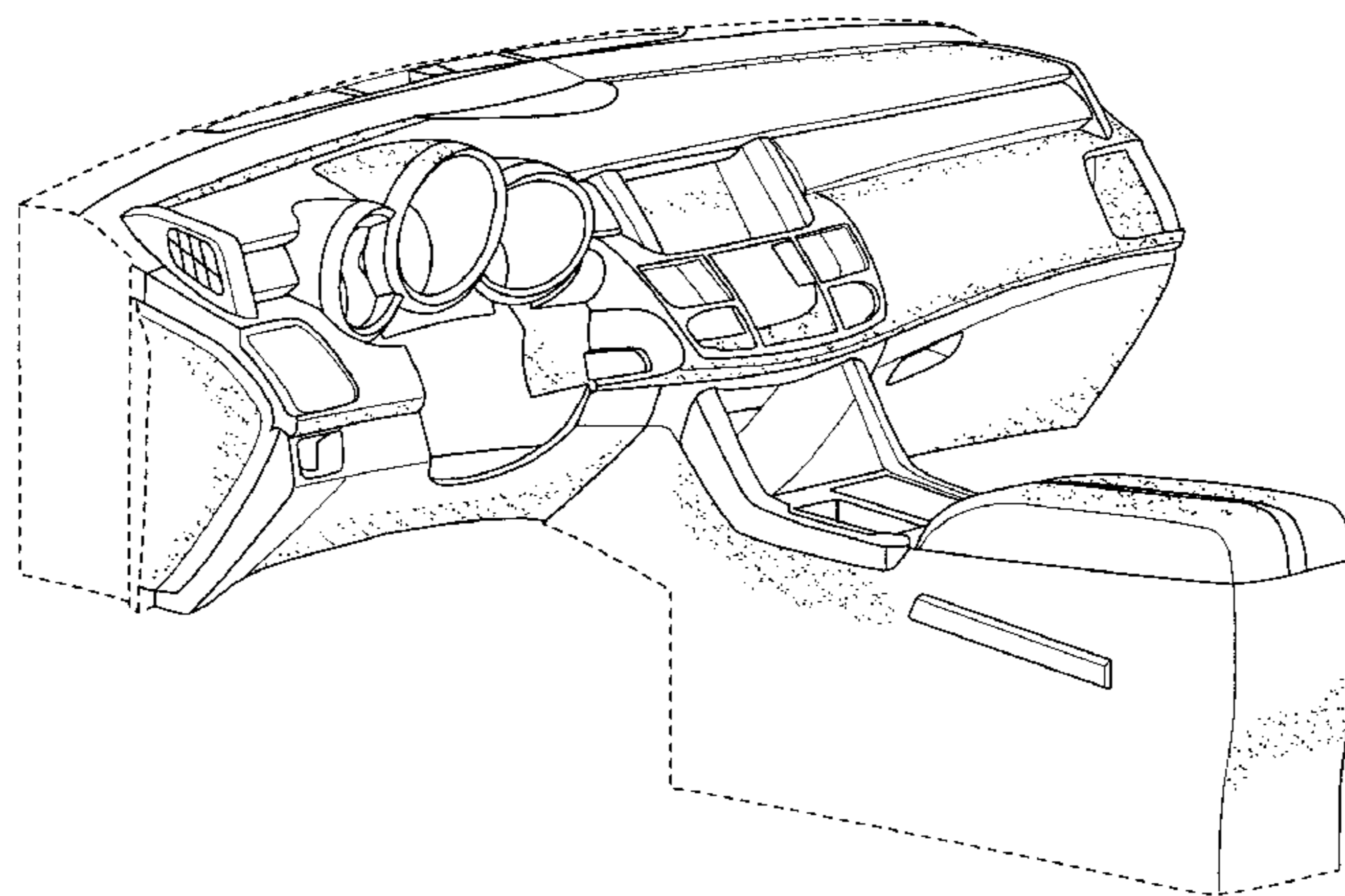


FIG. 1

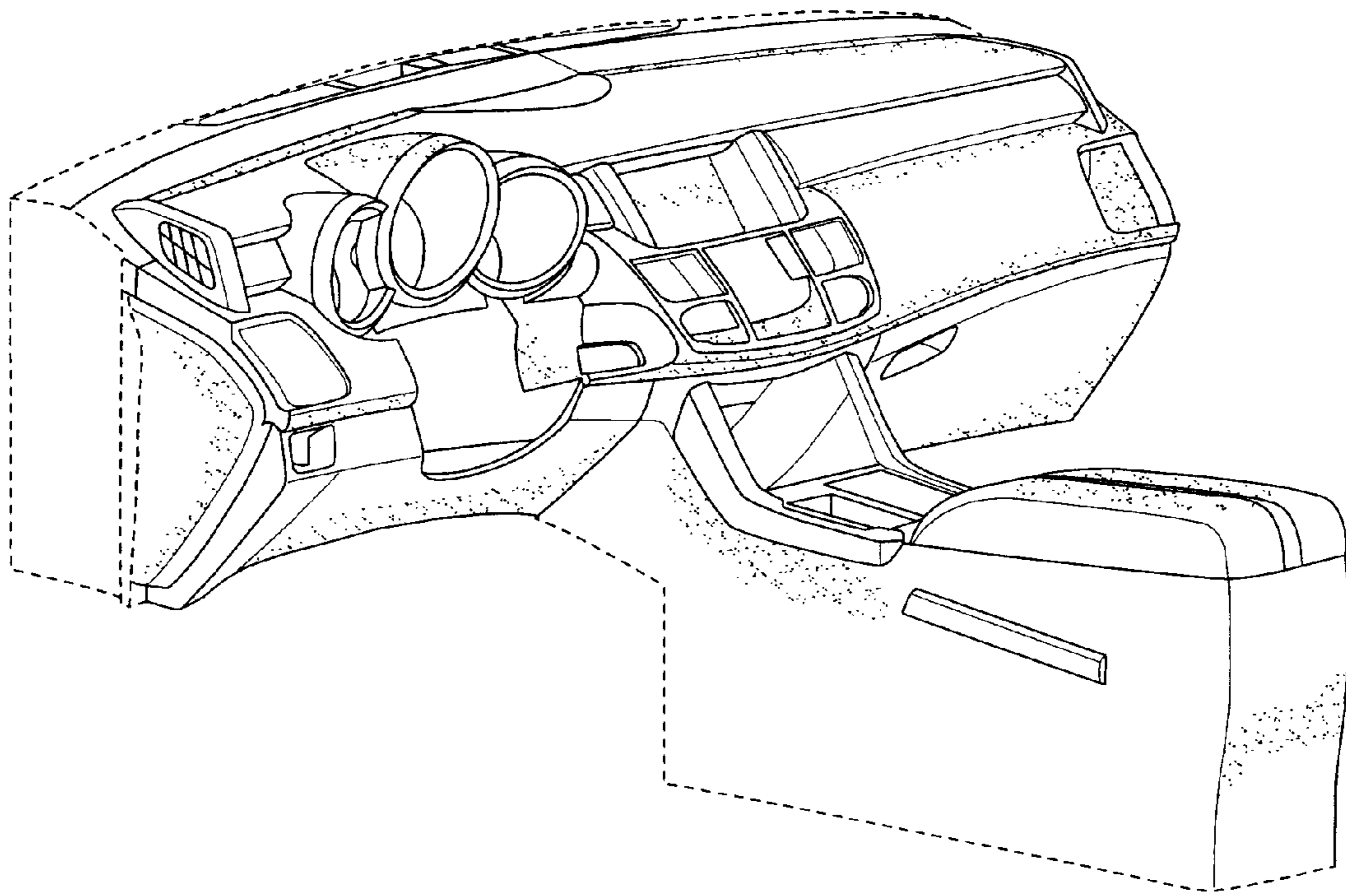


FIG. 2

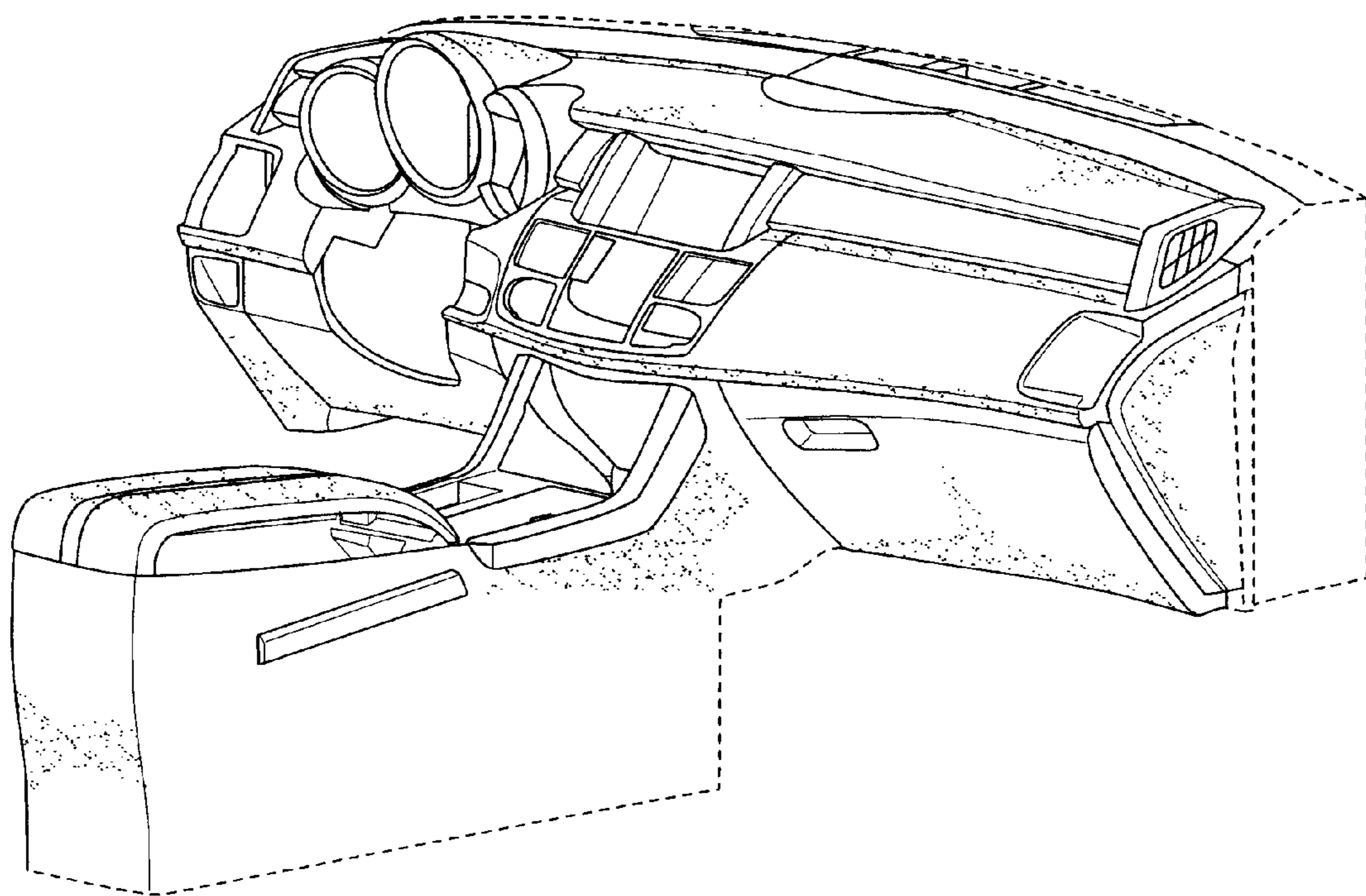


FIG. 3

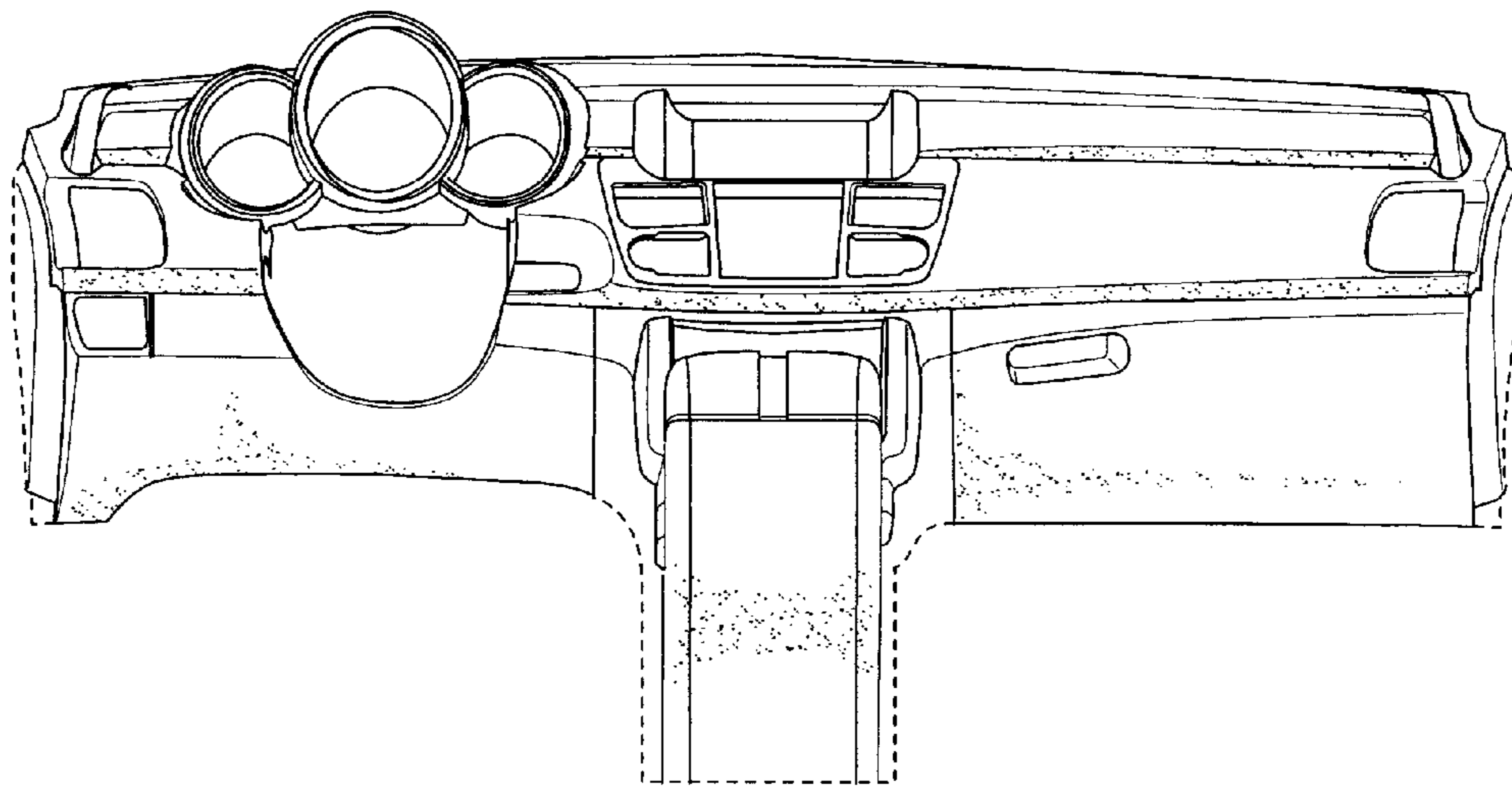


FIG. 4

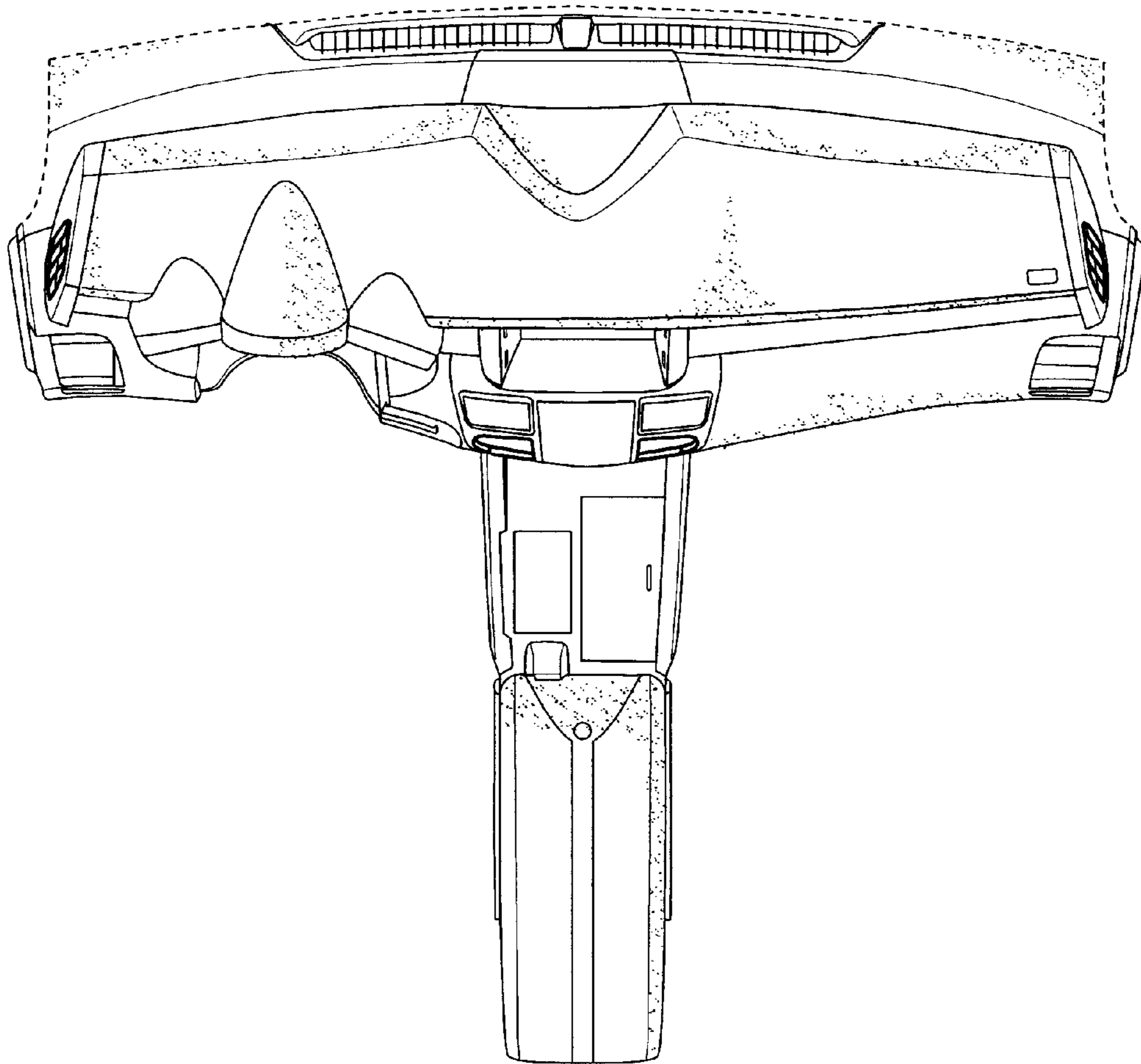


FIG. 5

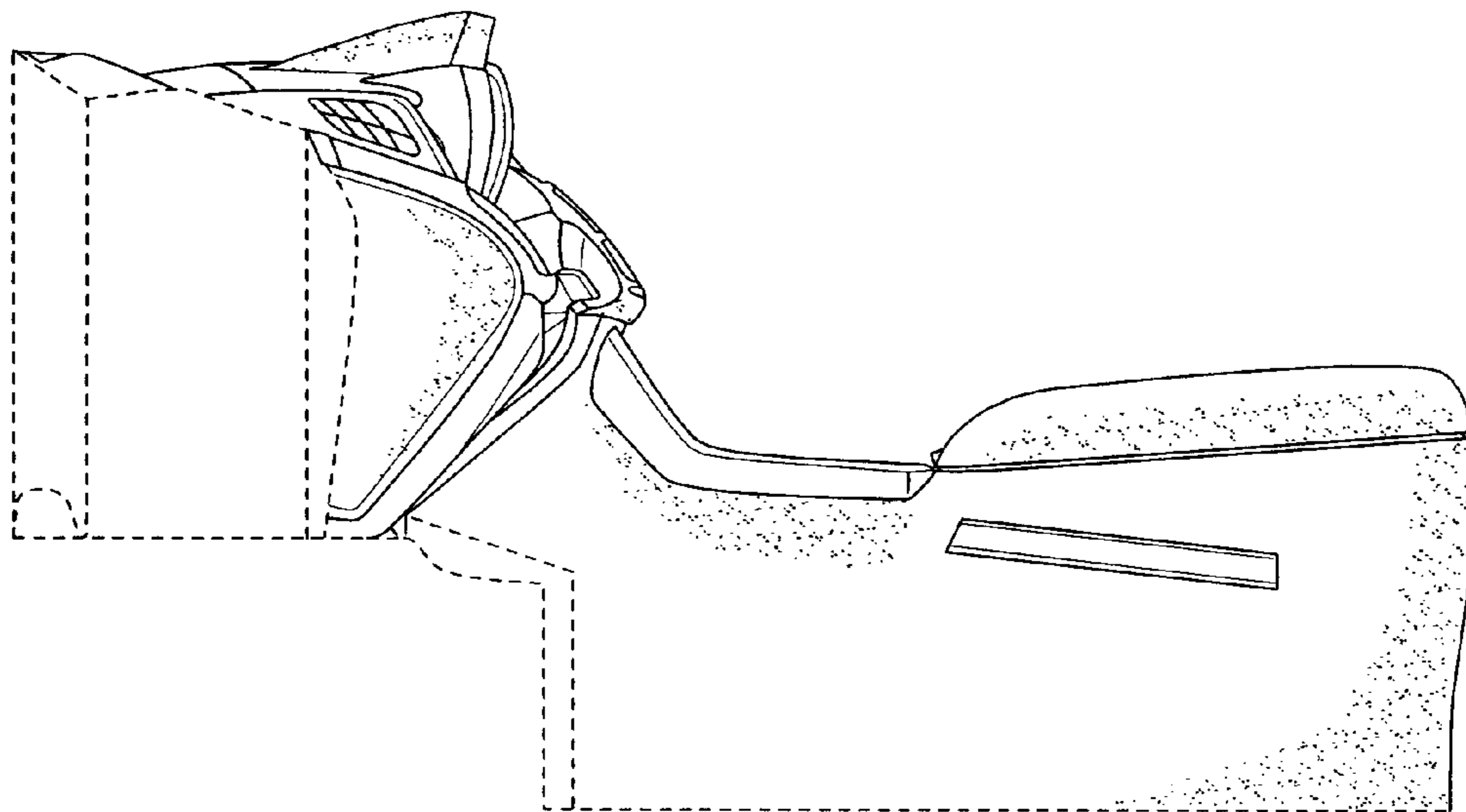


FIG. 6

