

US00D532728S

(12) **United States Design Patent**
Schiavone et al.

(10) **Patent No.:** **US D532,728 S**

(45) **Date of Patent:** **** Nov. 28, 2006**

(54) **VEHICLE HOOD**

(75) Inventors: **Patrick Schiavone**, Bloomfield, MI (US); **Laurens Van Den Acker**, Ann Arbor, MI (US); **Curt Aumiller**, Dearborn, MI (US); **James Grake**, Royal Oak, MI (US)

(73) Assignee: **Ford Global Technologies, LLC**, Dearborn, MI (US)

(**) Term: **14 Years**

(21) Appl. No.: **29/243,465**

(22) Filed: **Nov. 22, 2005**

(51) **LOC (8) Cl.** **12-16**

(52) **U.S. Cl.** **D12/173**

(58) **Field of Classification Search** D12/90-92,
D12/173, 196, 86; 180/69.21, 69.2, 69.22
See application file for complete search history.

(56) **References Cited**

U.S. PATENT DOCUMENTS

D495,631 S	*	9/2004	Metros et al.	D12/173
D510,717 S	*	10/2005	Pfeiffer et al.	D12/173
D520,418 S	*	5/2006	Platto et al.	D12/173
D520,921 S	*	5/2006	Nagura et al.	D12/173
D522,419 S	*	6/2006	Minami	D12/173

OTHER PUBLICATIONS

New York Auto Show, *2005 Ford Explorer*, Mar. 23, 2005.
North American International Auto Show (Detroit), *2005 Ford Escape*, Jan. 9, 2004.

North American International Auto Show (Detroit), *2004 Ford Expedition*, Jan. 9, 2003.

Sao Paulo Auto Show, *2005 EcoSport*, Oct. 10, 2004.

* cited by examiner

Primary Examiner—Melody N. Brown

(74) *Attorney, Agent, or Firm*—Damian Porcari

(57) **CLAIM**

The ornamental design for a vehicle hood, as shown and described.

DESCRIPTION

FIG. 1 is a front perspective view of a vehicle hood attached to a vehicle, no part of the vehicle is claimed;

FIG. 2 is a top plan view of the vehicle hood, the features lines do not intersect the part perimeter and are intended to illustrate the crest and valley of the feature and are not necessarily sharp bends in the part;

FIG. 3 is a left side elevational view of the vehicle hood, the right being a mirror image of the left and is not shown;

FIG. 4 is a front elevational view of the vehicle hood;

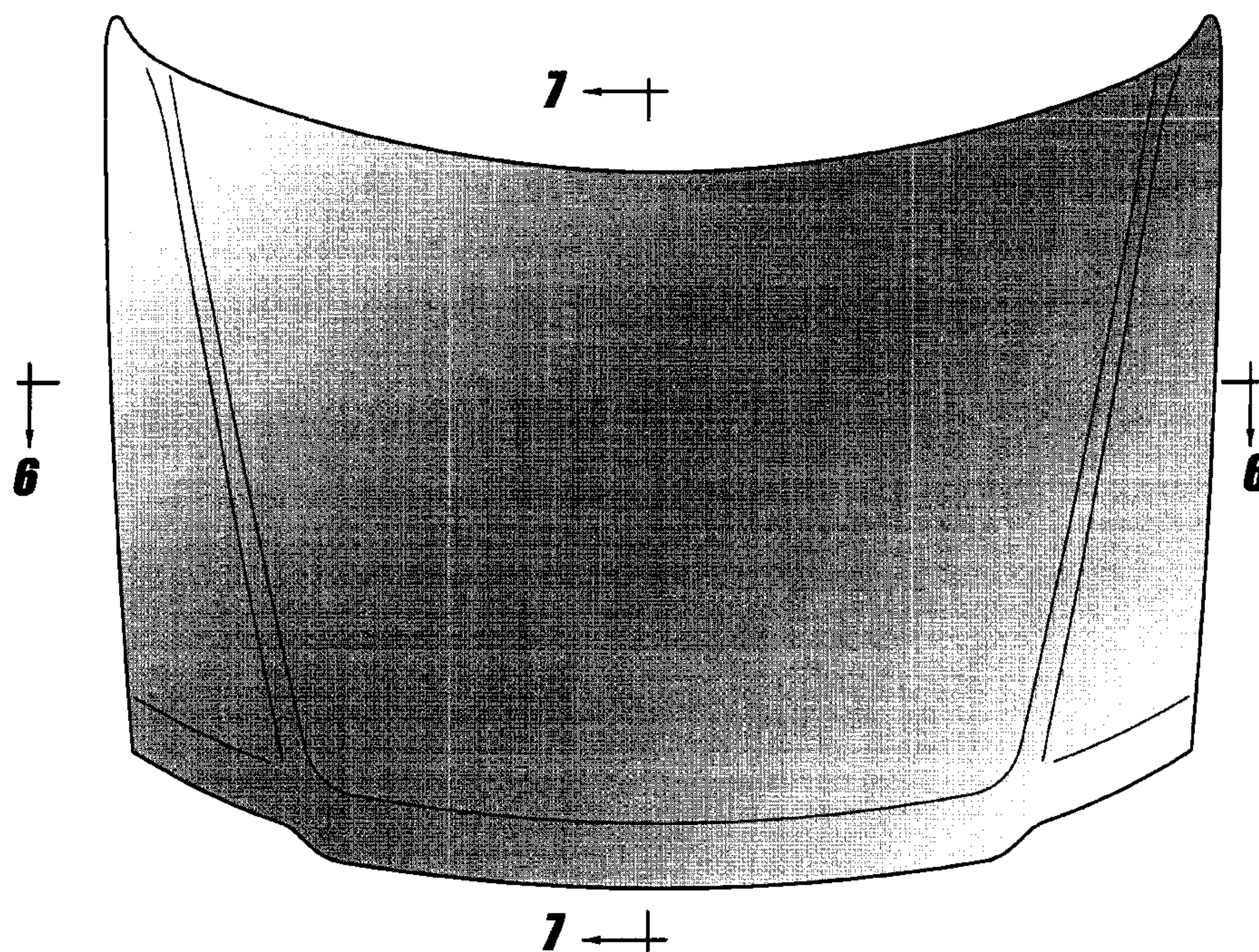
FIG. 5 is a rear elevational view of the vehicle hood showing the rear edge, sides and front edge, the undersurface of the hood is neither illustrated nor claimed;

FIG. 6 is a sectional view taking along the lines 6—6 in FIG. 2; and,

FIG. 7 is a sectional view taking along the lines 7—7 in FIG. 2.

The portions of the vehicle shown in broken lines are for illustrative purposes only and form no part of the claimed design.

1 Claim, 5 Drawing Sheets



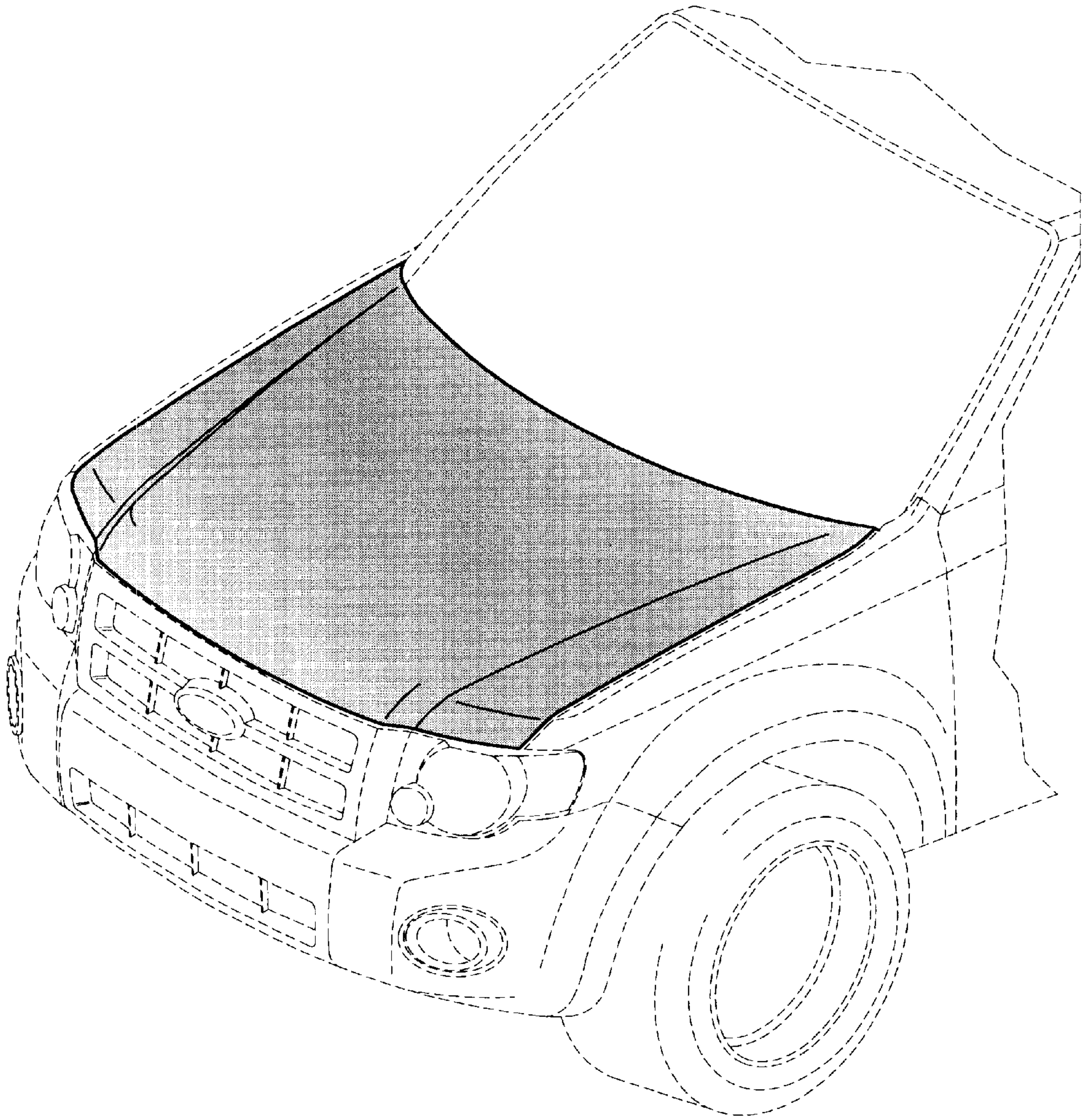


FIG - 1

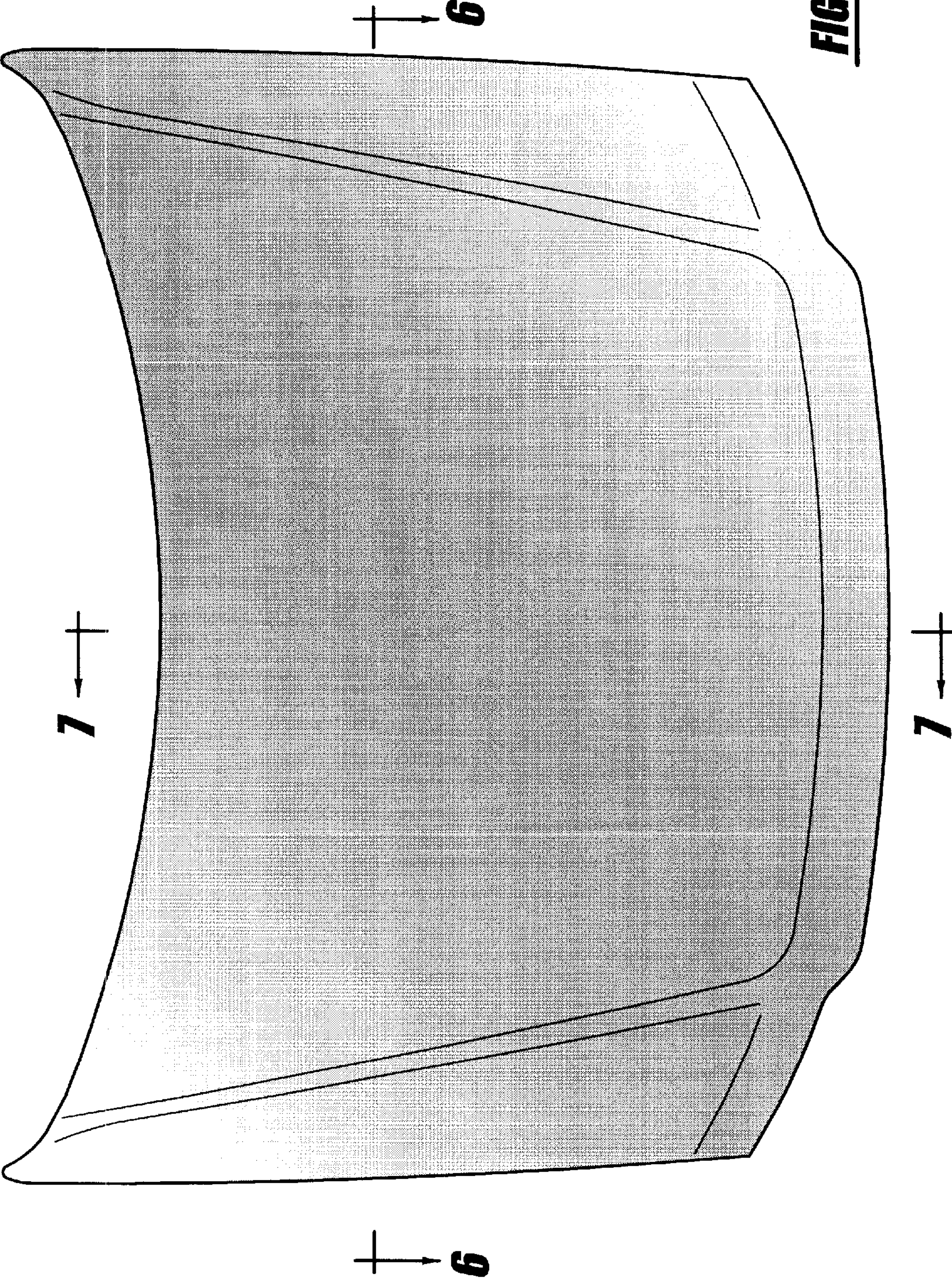


FIG - 2

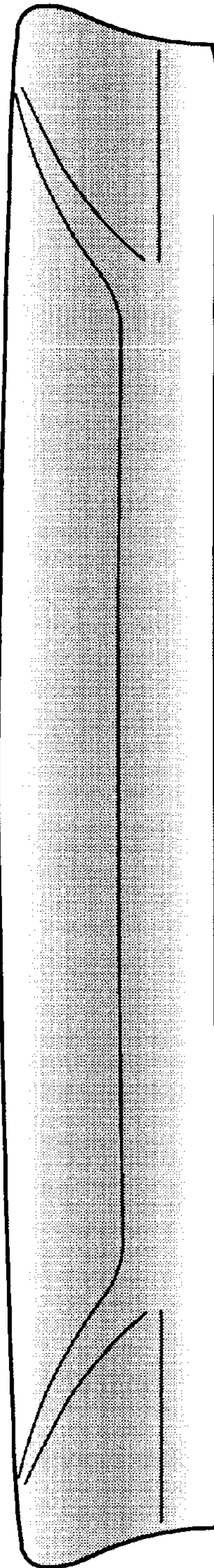
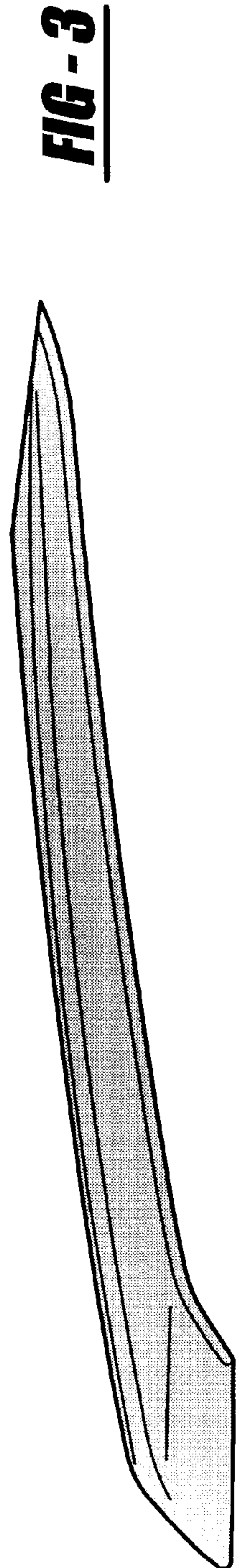


FIG - 4

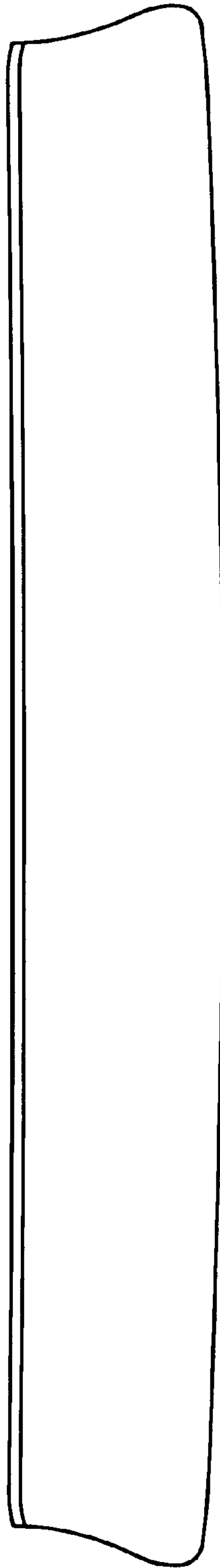


FIG - 5



FIG - 6

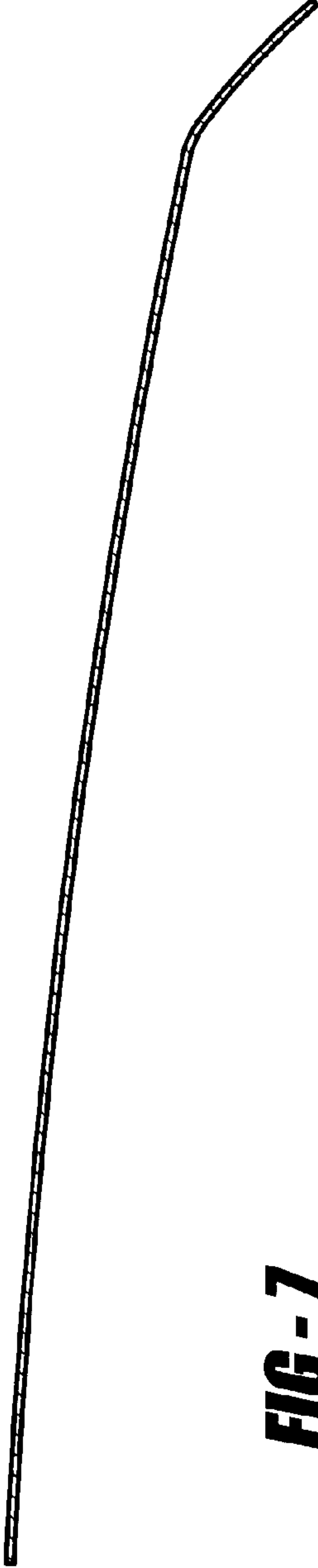


FIG - 7