

US00D532724S

(12) **United States Design Patent**
Schiavone et al.

(10) **Patent No.:** **US D532,724 S**

(45) **Date of Patent:** **** Nov. 28, 2006**

(54) **VEHICLE GRILLE**

(75) Inventors: **Patrick Schiavone**, Bloomfield, MI (US); **James Grake**, Royal Oak, MI (US); **Curt Aumiller**, Dearborn, MI (US); **Laurens Van Den Acker**, Ann Arbor, MI (US)

(73) Assignee: **Ford Global Technologies, LLC**, Dearborn, MI (US)

(**) Term: **14 Years**

(21) Appl. No.: **29/243,500**

(22) Filed: **Nov. 22, 2005**

(51) **LOC (8) Cl.** **12-16**

(52) **U.S. Cl.** **D12/163**

(58) **Field of Classification Search** D12/163, D12/171, 90-92, 216, 169, 196; 180/68.1, 180/68.6; 296/193.11; 293/102, 113, 115
See application file for complete search history.

(56) **References Cited**

U.S. PATENT DOCUMENTS

D411,493 S	*	6/1999	Davis, Jr.	D12/163
D472,854 S	*	4/2003	Weber et al.	D12/163
D495,979 S	*	9/2004	Metros et al.	D12/163
D519,890 S	*	5/2006	Sakae	D12/163

OTHER PUBLICATIONS

New York Auto Show, *2005 Ford Explorer*, Mar. 23, 2005.
North American International Auto Show (Detroit), *2005 Ford Escape*, Jan. 9, 2004.
North American International Auto Show (Detroit), *2004 Ford Expedition*, Jan. 9, 2003.
Sao Paulo Auto Show, *2005 EcoSport*, Oct. 10, 2004.

* cited by examiner

Primary Examiner—Melody N. Brown

(74) *Attorney, Agent, or Firm*—Damian Porcari

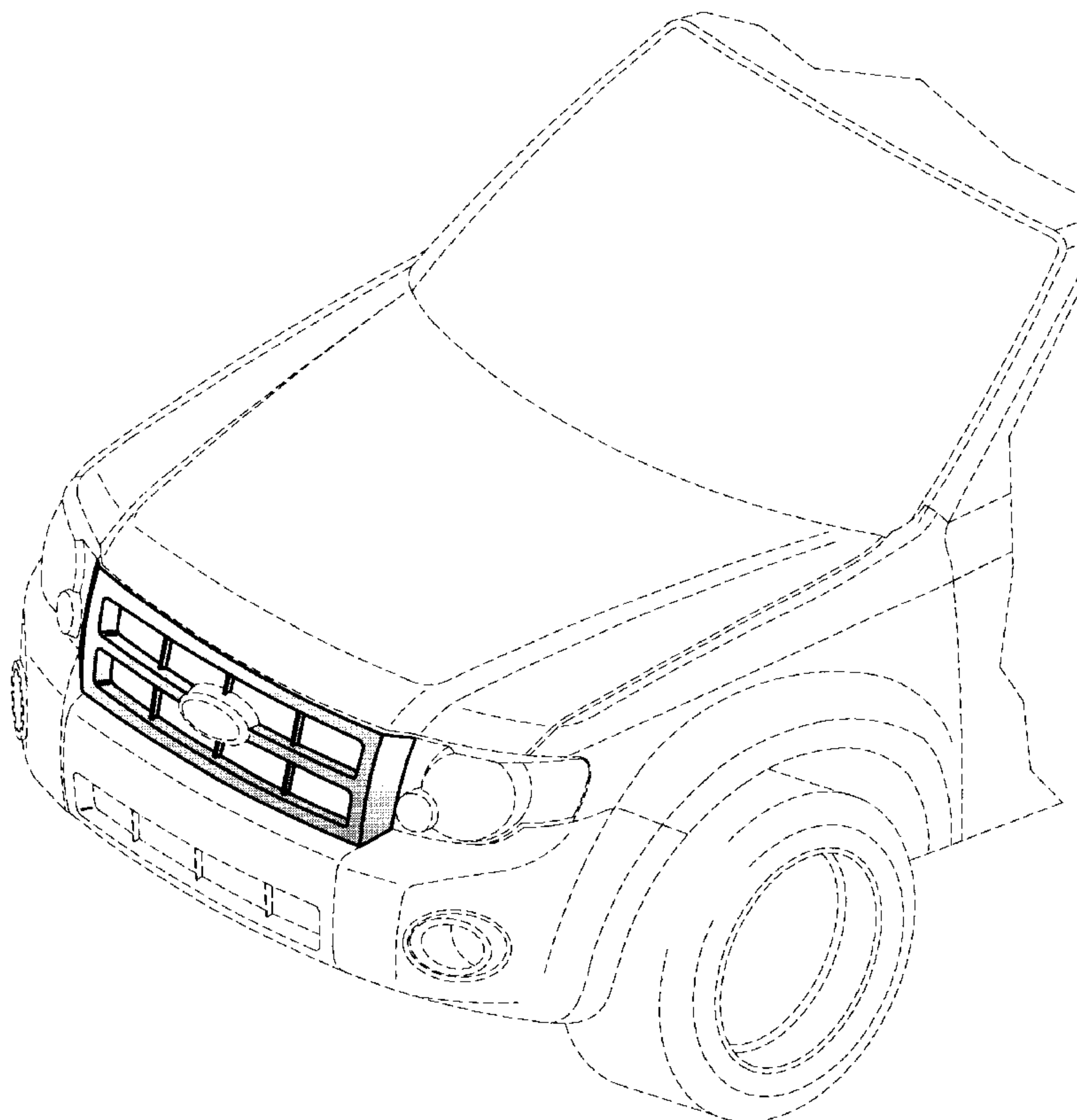
(57) **CLAIM**

The ornamental design for a vehicle grille, as shown and described.

DESCRIPTION

FIG. 1 is a front perspective view of a vehicle grille attached to a vehicle, no part of the vehicle is claimed;
FIG. 2 is a perspective view of the vehicle grille;
FIG. 3 is a front elevational view of the vehicle grille;
FIG. 4 is a top plan view of the vehicle grille;
FIG. 5 is a right side elevational view of the vehicle grille;
FIG. 6 is a left side elevational view of the vehicle grille;
and,
FIG. 7 is bottom plan view of the vehicle grille.
The broken lines are for illustrative purposes only and form no part of the claimed design.

1 Claim, 6 Drawing Sheets



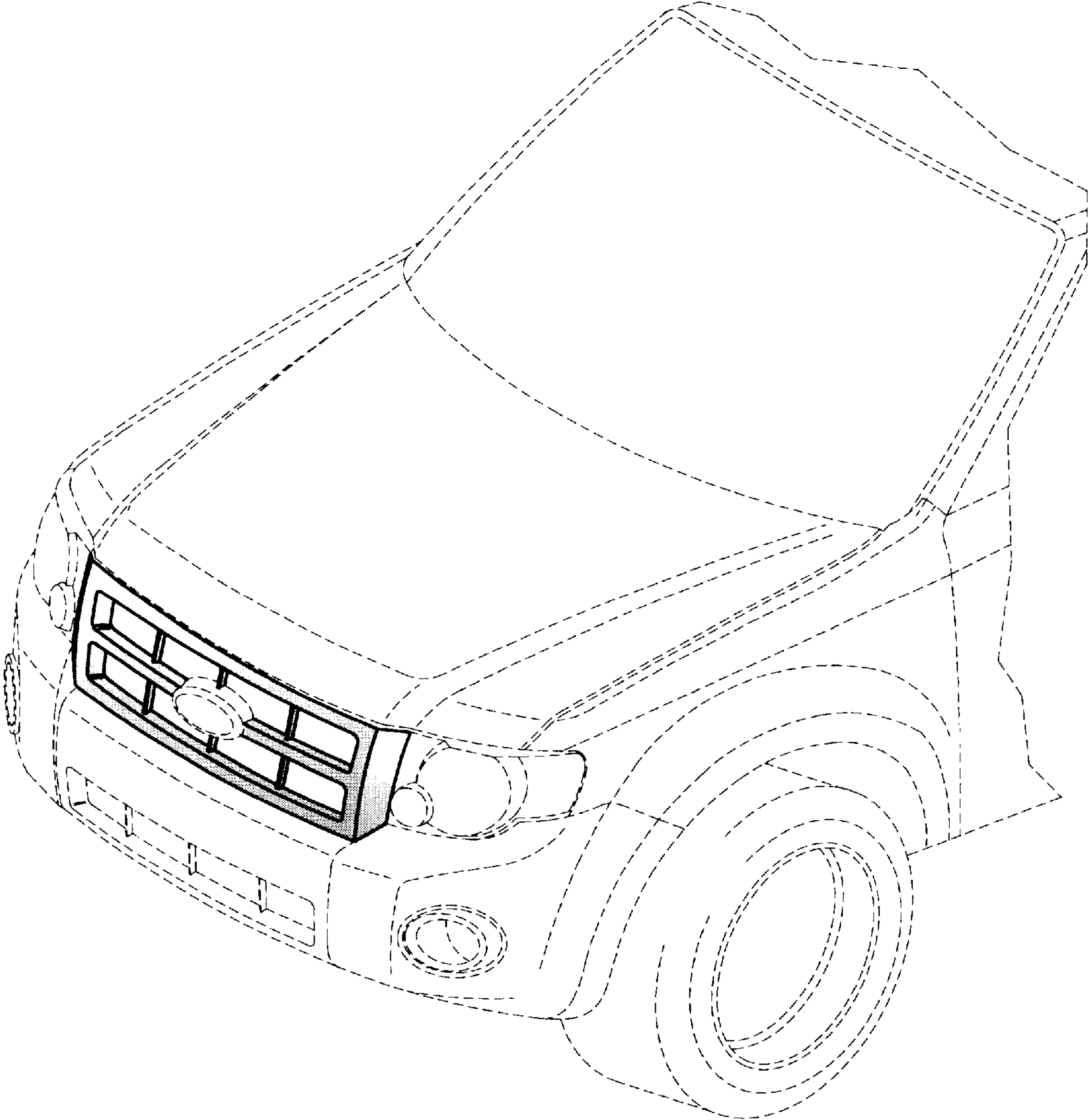


FIG - 1

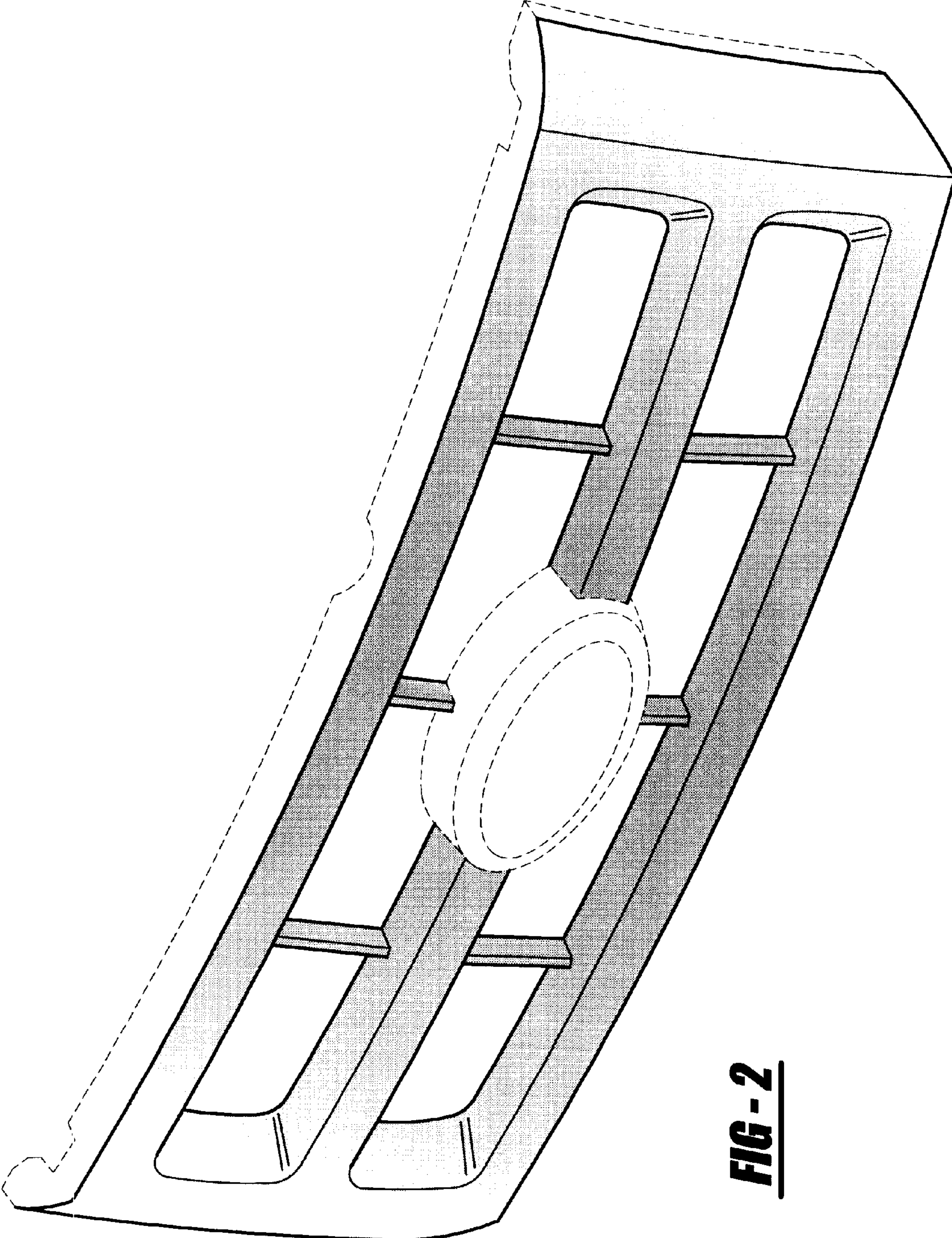


FIG - 2

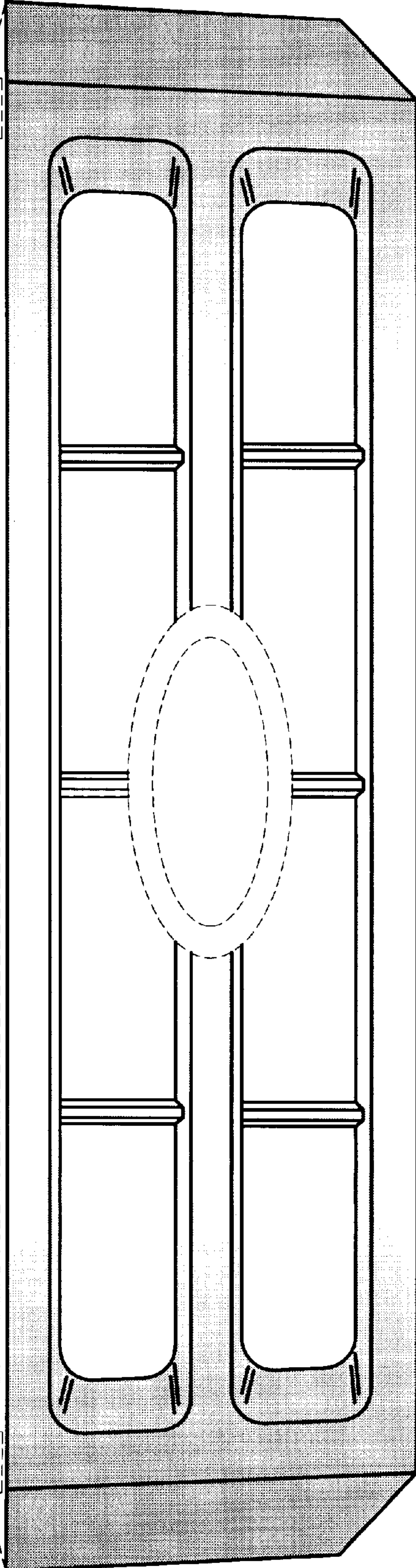


FIG - 3

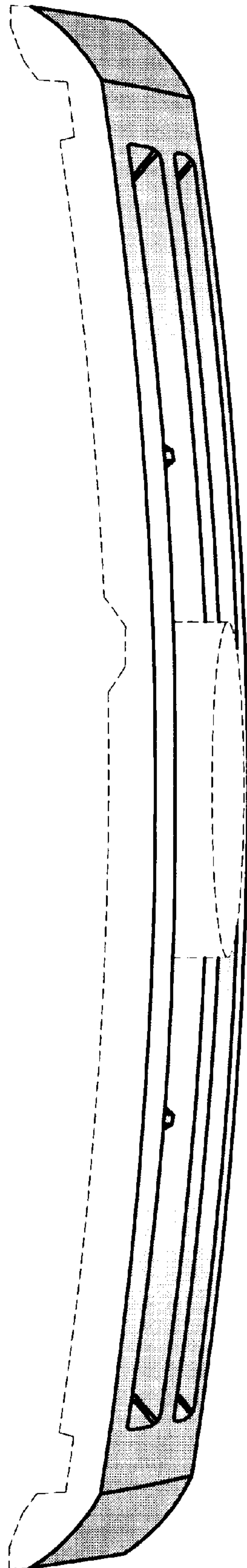


FIG - 4

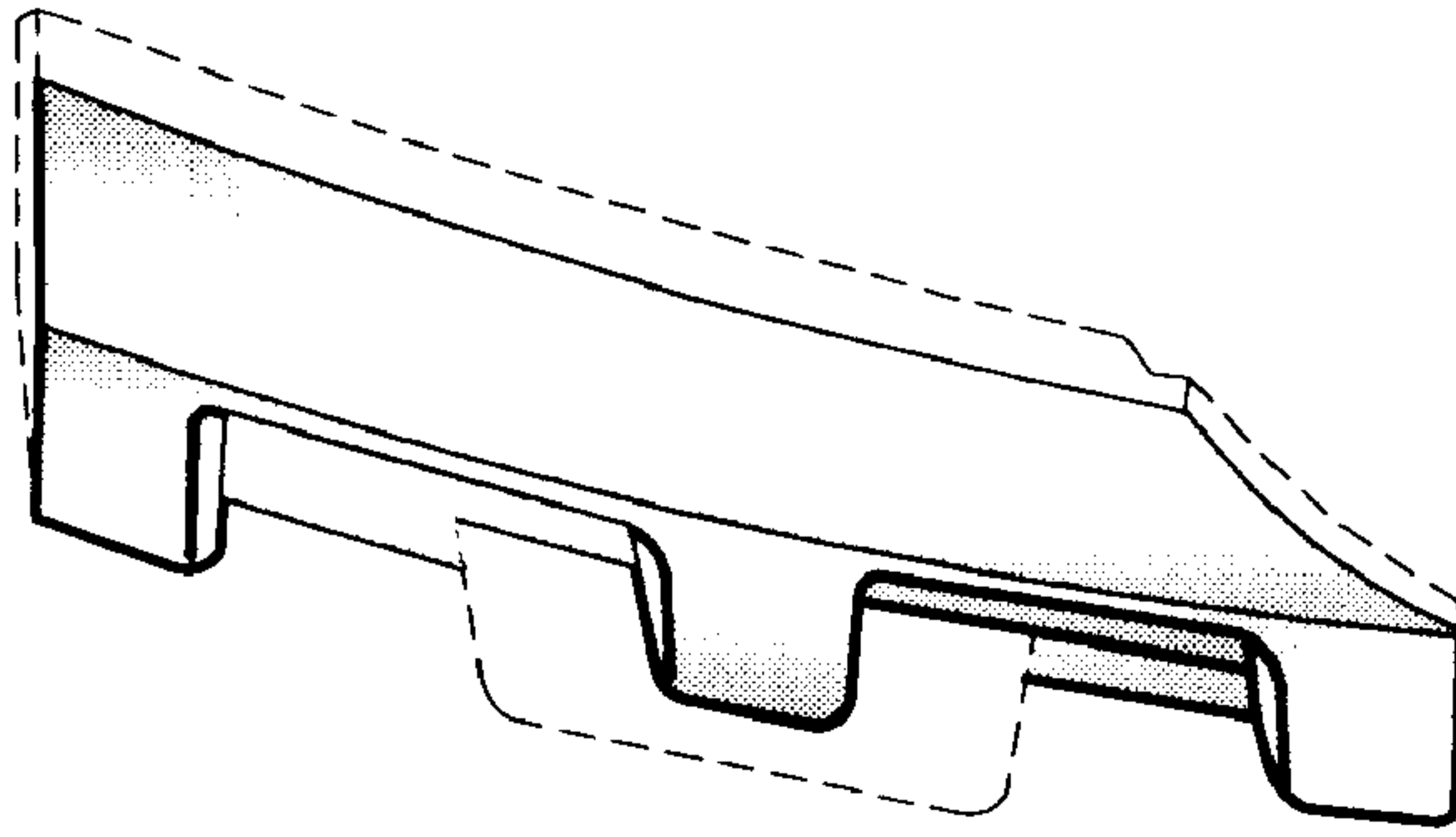


FIG - 6

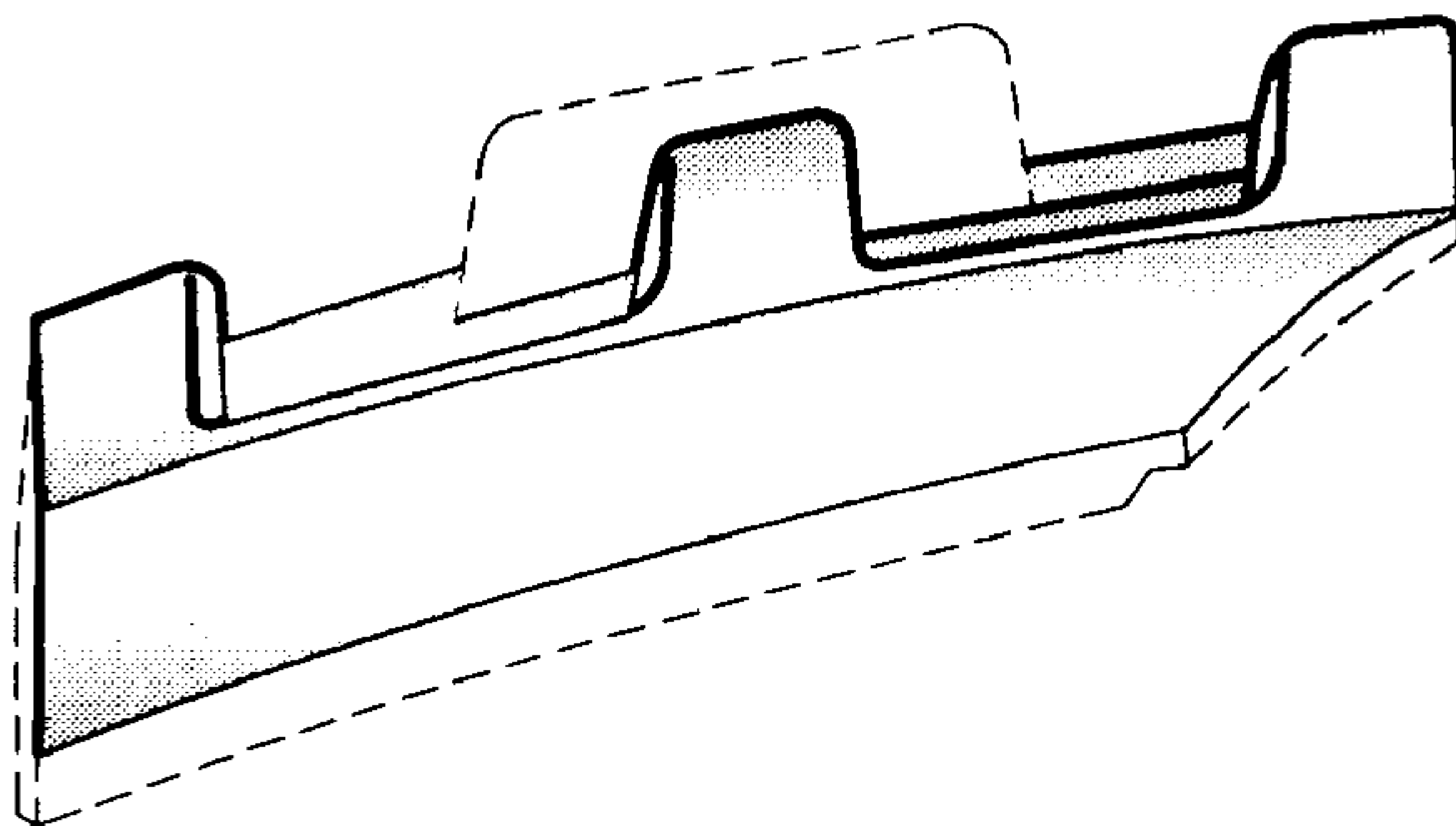


FIG - 5

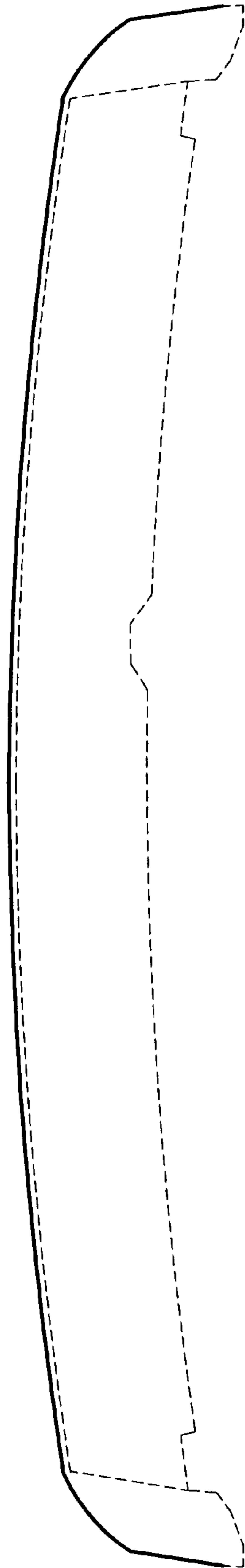


FIG - 7