



US00D532723S

(12) **United States Design Patent**
Schiavone et al.

(10) **Patent No.: US D532,723 S**

(45) **Date of Patent: ** Nov. 28, 2006**

(54) **VEHICLE GRILLE**

(75) Inventors: **Patrick Schiavone**, Bloomfield, MI (US); **Craig Metros**, Bloomfield, MI (US); **Jordan Bennett**, Ann Arbor, MI (US); **James Grake**, Royal Oak, MI (US); **James Smith**, Royal Oak, MI (US)

(73) Assignee: **Ford Global Technologies, LLC**, Dearborn, MI (US)

(**) Term: **14 Years**

(21) Appl. No.: **29/240,558**

(22) Filed: **Oct. 14, 2005**

(51) **LOC (8) Cl. 12-16**

(52) **U.S. Cl. D12/163**

(58) **Field of Classification Search** D12/163, D12/171, 90-92, 216, 169, 196; 180/68.1, 180/68.6; 296/193.11; 293/102, 113, 115

See application file for complete search history.

(56) **References Cited**

U.S. PATENT DOCUMENTS

D411,493 S	*	6/1999	Davis, Jr.	D12/163
D472,854 S	*	4/2003	Weber et al.	D12/163
D495,979 S	*	9/2004	Metros et al.	D12/163
D519,890 S	*	5/2006	Sakae	D12/163

OTHER PUBLICATIONS

2001 Chicago Auto Show, *Ford F450 XL Super Duty*, Feb. 2001.

AutoBlog.com, *Extended Expedition Spied*, Nov. 29, 2004 <http://spyphotos.autoblog.com/entry/1234000200021829/>.

TheCarConnection.com, *Spy Shots: '07 Ford Suburban Fighter*, Nov. 29, 2004 <http://www.thecarconnection.com/index.asp?n=178&sid=178&article=7781>.

Jalopnick.com, *Spy Photos: 2007 Ford, Uh, Exhibition?*, Nov. 29, 2004 <http://www.jalopnik.com/cars/spy-photos/spy-photos-2007-ford-uh-exhibition-026391.php>.

FordForums.com, *Spy Shots: '07 Ford Expedition*, Nov. 30, 2004 <http://www.fordforums.com/showthread.php?t=91640&highlight=expedition+2007>.

AutoBlog.com, *OK, Can anyone ID this ?*, Dec. 27, 2004 <http://spyphotos.autoblog.com/entry/1234000033025062/>.

North American International Auto Show (Detroit), *Ford Concept Syn US*, Jan. 2005.

Truck Trend, *News Front: Ford Everest? Expedition Max?*, p. 16, Mar./Apr. 2005.

TheCarConnection.com, *Future Cars: Ford/PAG/Mazda: More of TCC's Future Cars*, May 16, 2005 http://www.thecarconnection.com/Shoppers/Future_Cars/Ford.S283.A8367.html.

Edmunds.com, *New Ford Full-Size SUV Coming Next Year*, Jun. 9, 2005 <http://www.edmunds.com/insideline/do/Features/articleId=105986#1>.

(Continued)

Primary Examiner—Melody N. Brown

(74) *Attorney, Agent, or Firm*—Damian Porcari

(57) **CLAIM**

The ornamental design for a vehicle grille, as shown and described.

DESCRIPTION

FIG. 1 is a front perspective view of a vehicle grille attached to a vehicle, no part of the vehicle is claimed;

FIG. 2 is a perspective view of the vehicle grille;

FIG. 3 is a front elevational view of the vehicle grille;

FIG. 4 is a top plan view of the vehicle grille;

FIG. 5 is a right side elevational view of the vehicle grille;

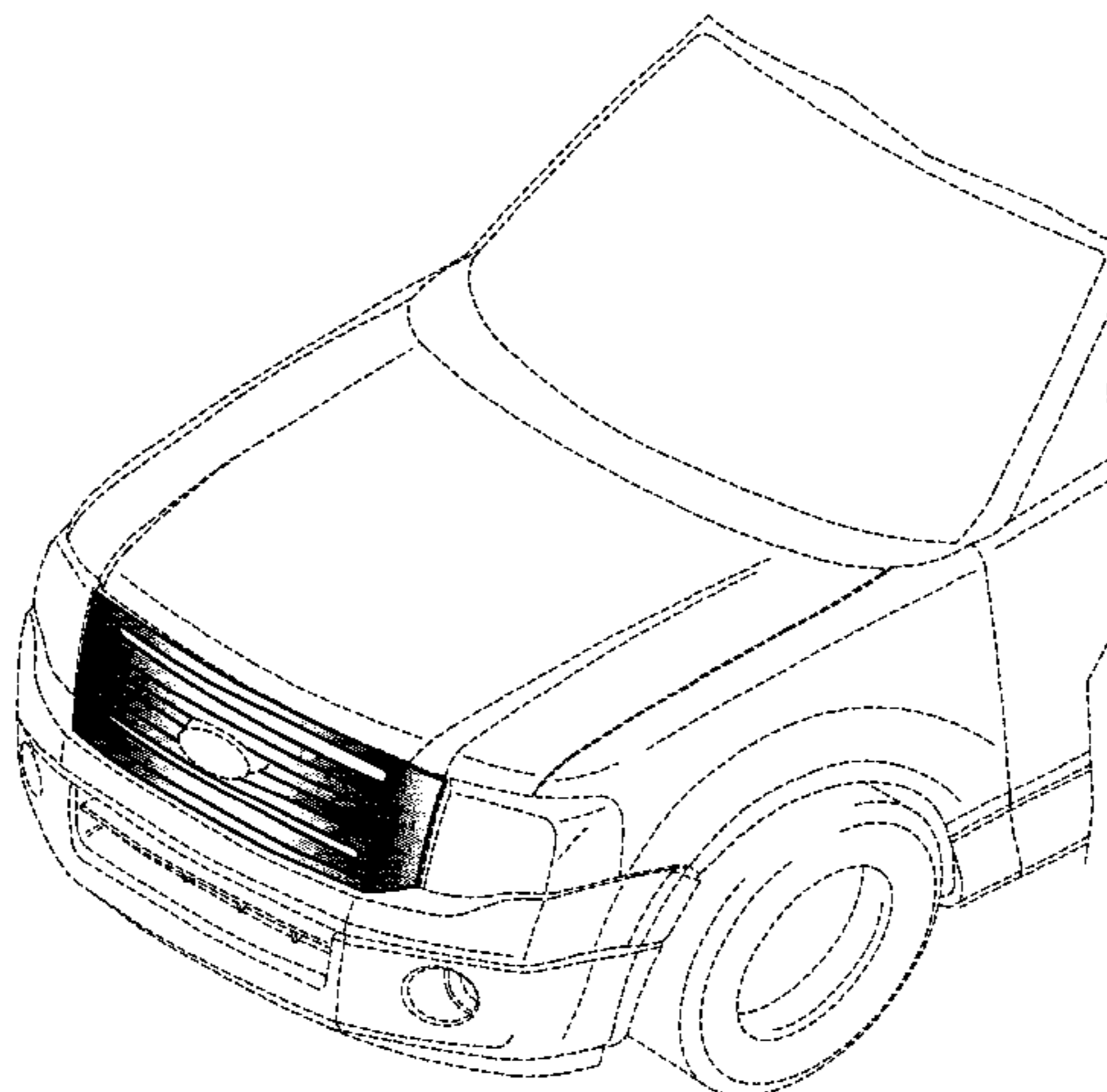
FIG. 6 is a left side elevational view of the vehicle grille;

and,

FIG. 7 is bottom plan view of the vehicle grille.

The broken lines are for illustrative purposes only and form no part of the claimed design.

1 Claim, 6 Drawing Sheets



OTHER PUBLICATIONS

Edmunds.com, *Ford Developing Suburban-Fighter . . . Again*, Jul. 1, 2005 <http://www.edmunds.com/insideline/do/News/articleId=106295>.

Automotive News, *An Expedition and a Suburban-stalker*, vol. 79, No. 6155, p. 3, Jul. 4, 2005.

Detroit News Online, *Sneak Peaks: 2007 Ford Expedition Max*, Jul. 13, 2005 <http://info.detnews.com/autoinsider/sneakpeek/index.cfm?id=19890>.

CarSpyShots.net, *Re: (kevinb120)*, Jul. 14, 2005 <http://www.carspyshots.net/zerthread?id=15540&page=2>.

CarSpyShots.net, *Ford Expedition*, Jul. 26, 2005 <http://www.carspyshots.net/zerthread?id=15540&page=2>.

Automotive News, Ford Motor Co. Future Product Series: *Ford Redesigned 2007 Sport Trac gets a V-8*, p. 34, Aug. 8, 2005.

Mike Kukielka's Personal Website, *2007 Ford Everest*, Aug. 19, 2005 http://www.mikekukielka.com/gallery/v/Ford-E-verest/?g2_GALLERYSID=84a93e30b747e1440efe5e65a962c57b.

2005 Frankfurt Auto Show, *Ford Ranger Pickup XLT Limited*, Sep. 2005.

Popular Mechanics Online, *Spy Report*, Sep. 2005 http://www.popularmechanics.com/automotive/spy_reports/1711656.html?page=2&c=y.

* cited by examiner

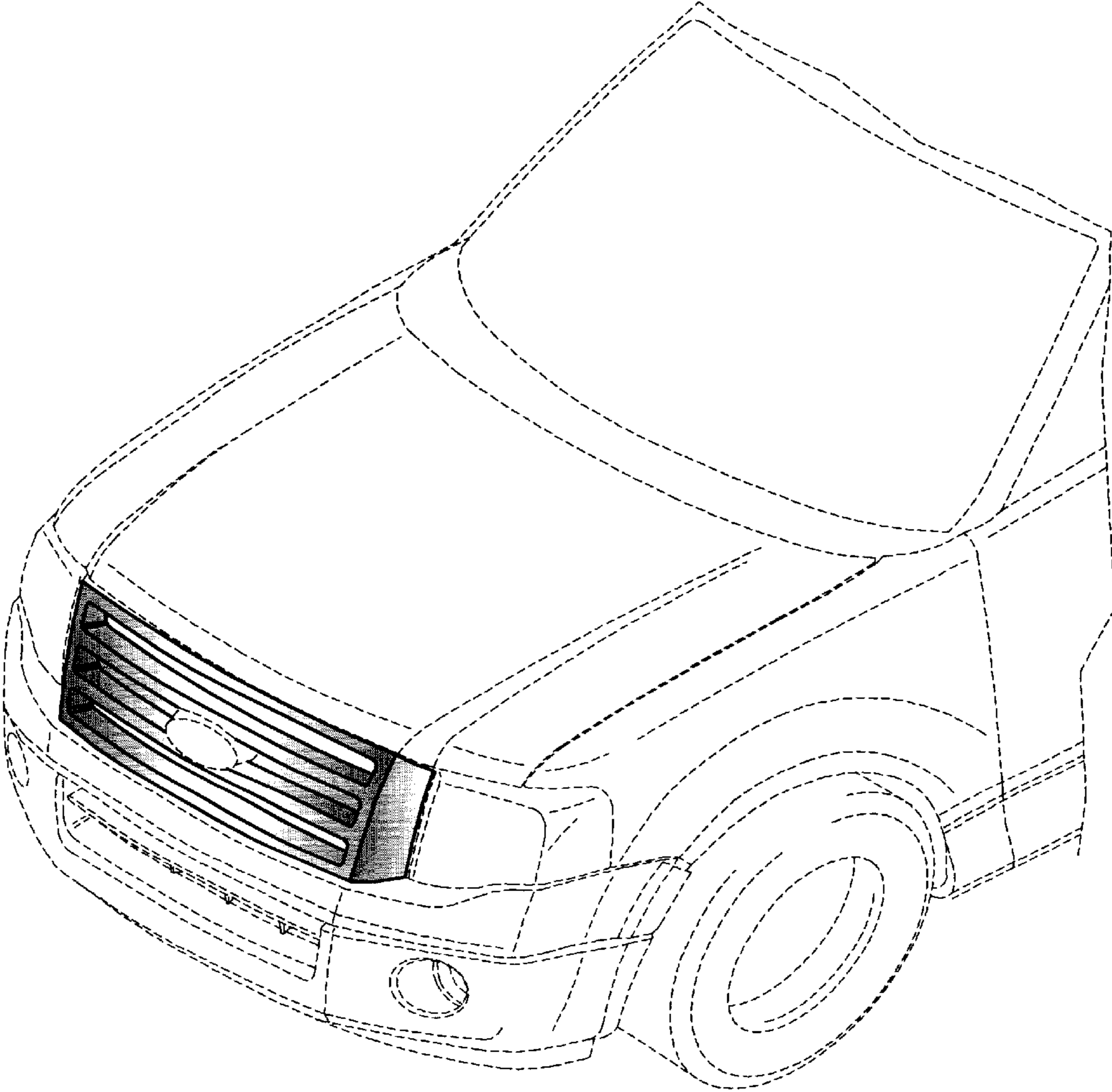


FIG - 1

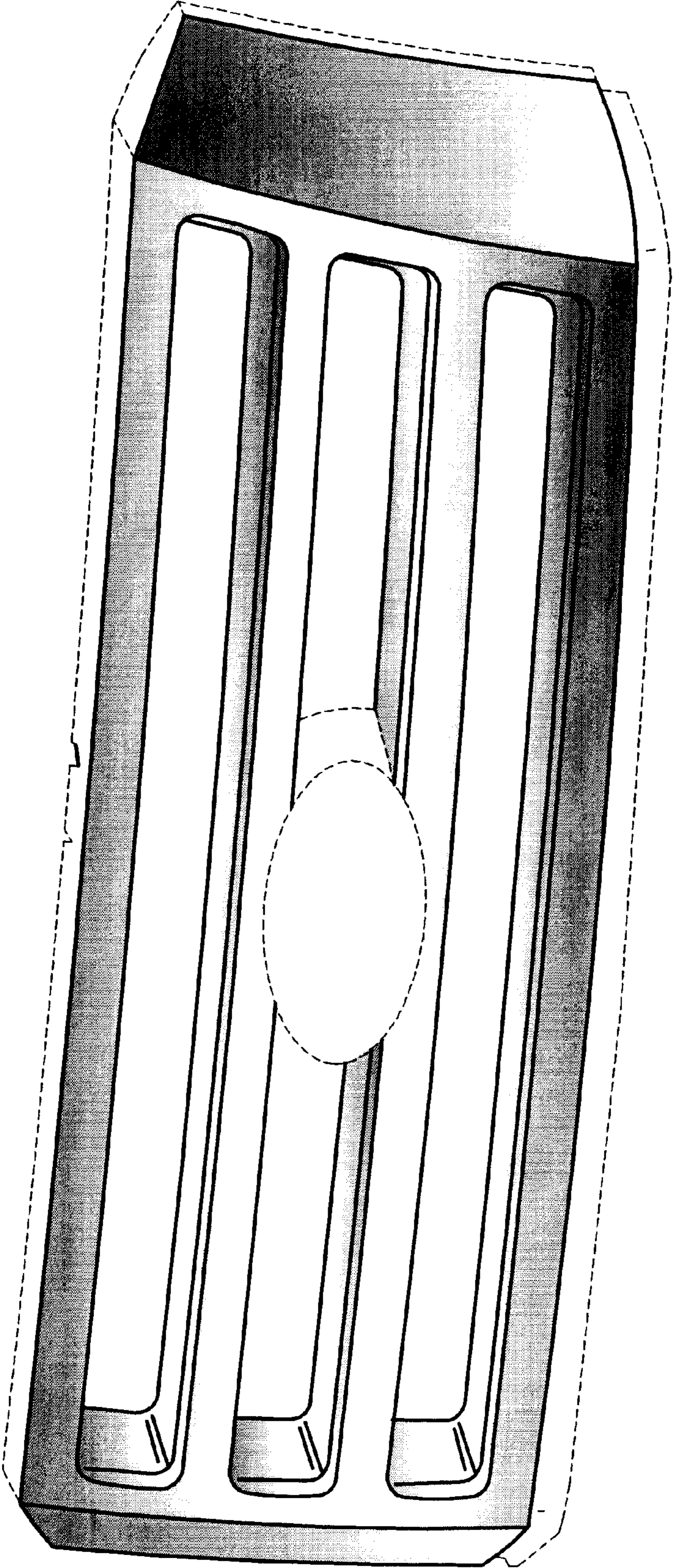


FIG - 2

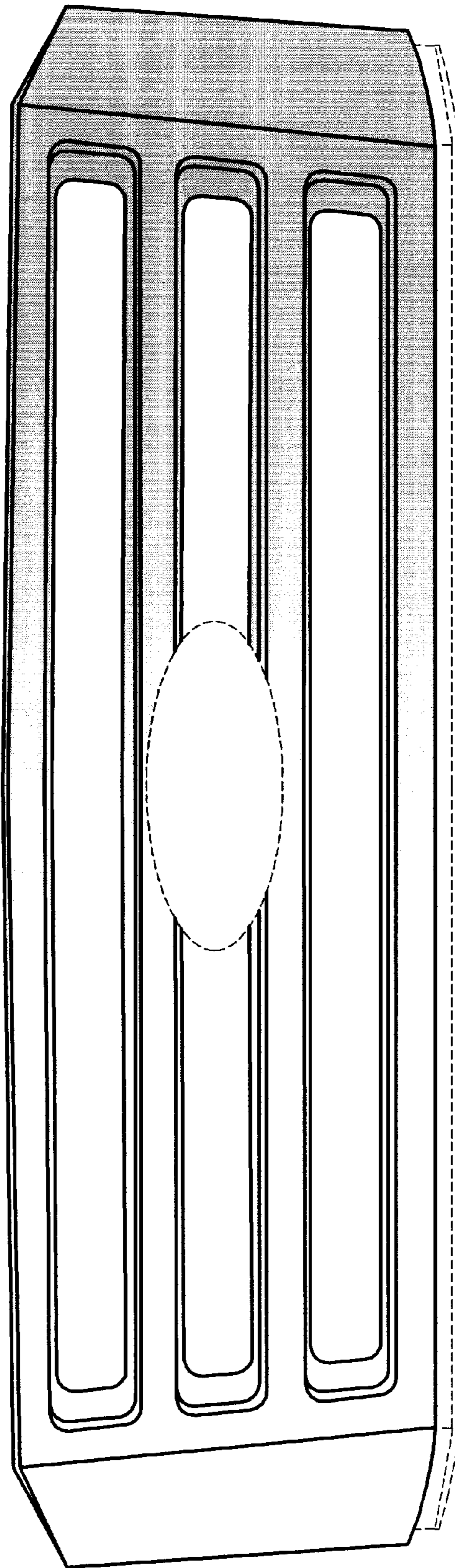


FIG - 3

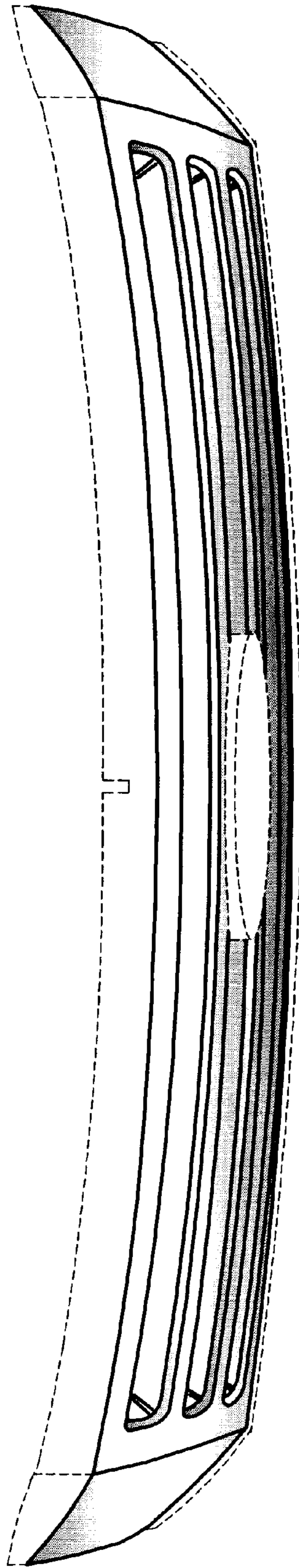


FIG - 4

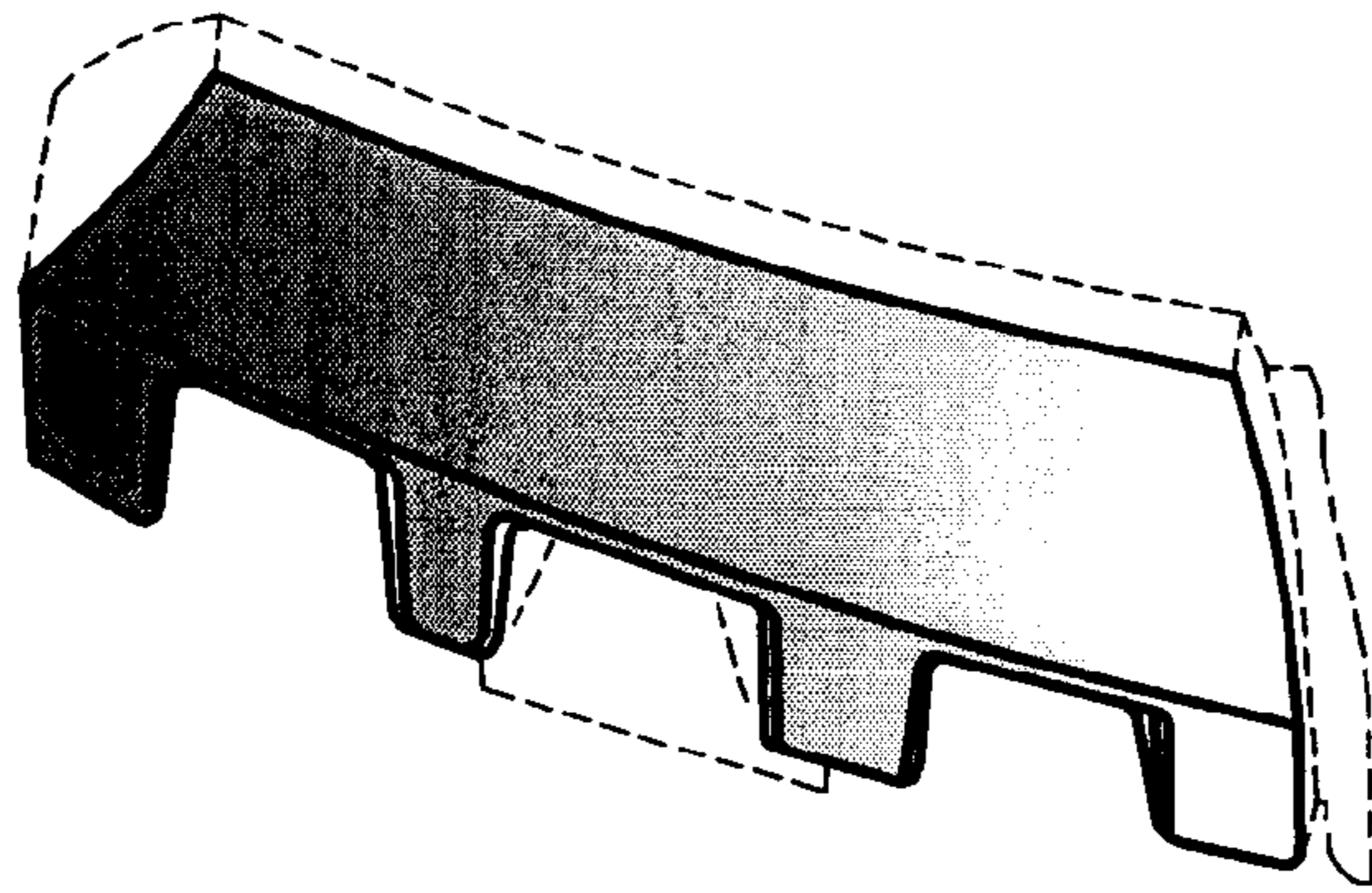


FIG - 6

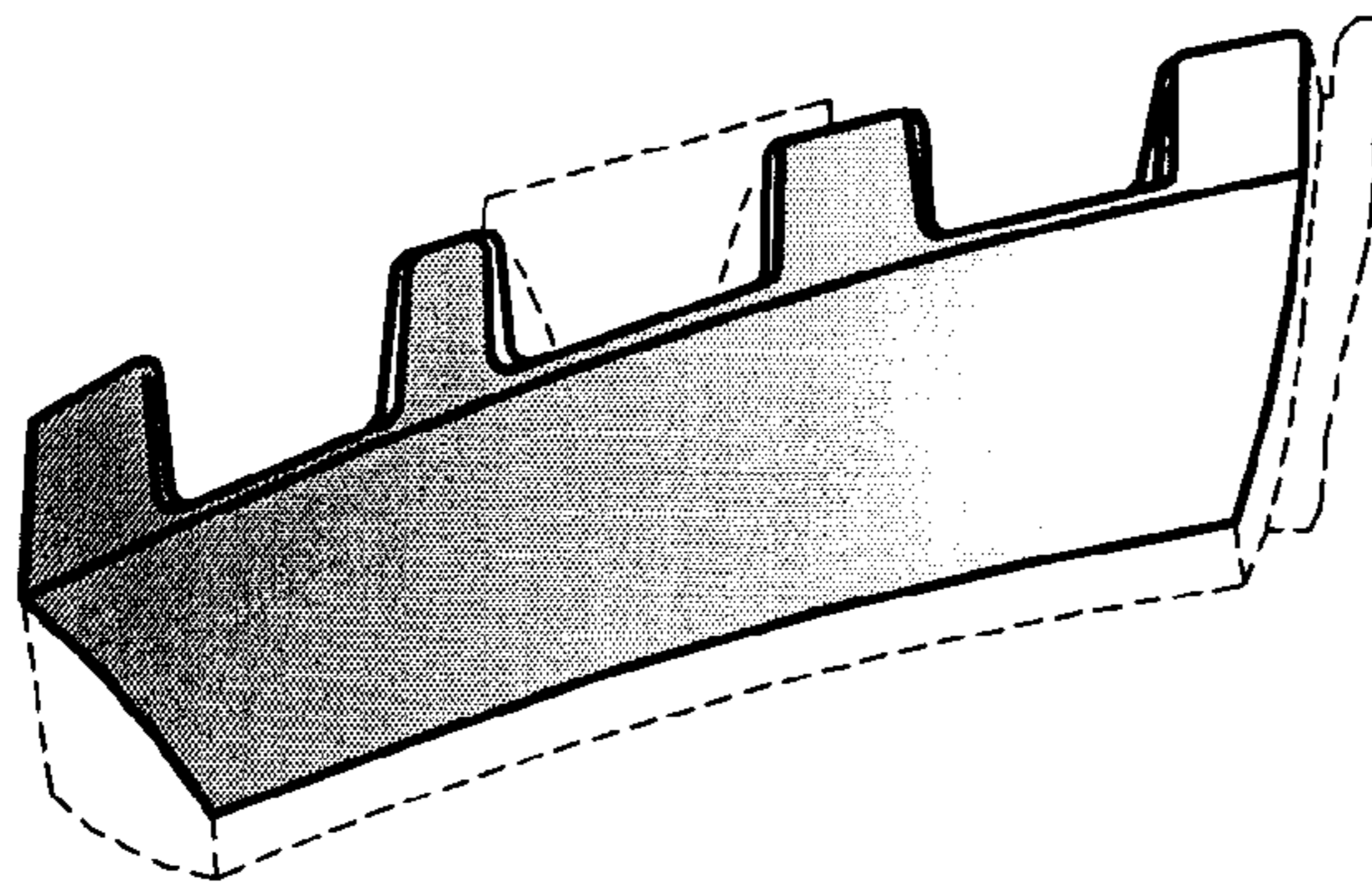


FIG - 5

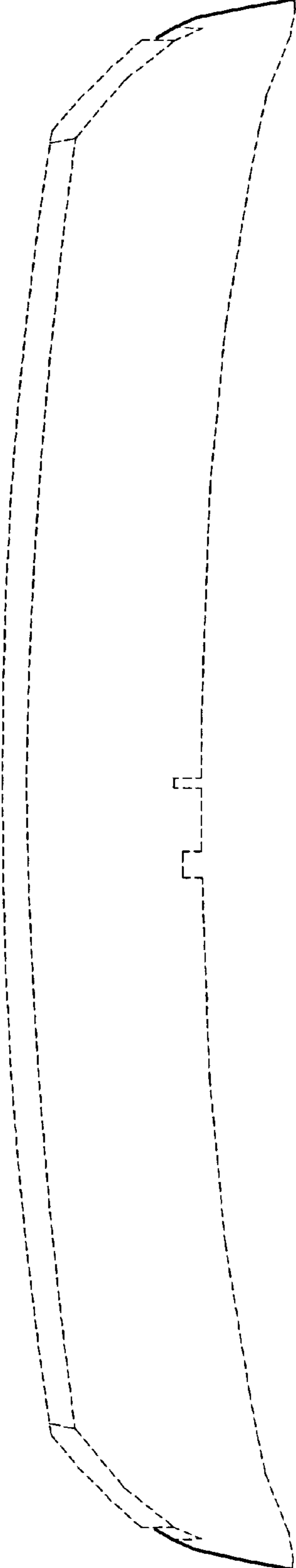


FIG - 7