



US00D532718S

(12) **United States Design Patent**
Miyazaki et al.

(10) **Patent No.:** **US D532,718 S**

(45) **Date of Patent:** **** Nov. 28, 2006**

(54) **MOTOR VEHICLE AND/OR TOY REPLICA THEREOF**

D519,882 S * 5/2006 Kawasaki et al. D12/92

(75) Inventors: **Mitsunori Miyazaki**, Aichi-ken (JP);
Tatsuya Sonoda, Aichi-ken (JP);
Masanari Sakae, Aichi-ken (JP)

OTHER PUBLICATIONS
MAZADA, AXELA, All About AXELA, Nov. 29, 2003.
MAZDA, ATENAZ, All About ATENAZ, Jul. 19, 2002.

(73) Assignee: **Toyota Jidosha Kabushiki Kaisha** (JP)

* cited by examiner

(**) Term: **14 Years**

Primary Examiner—Melody N. Brown
(74) *Attorney, Agent, or Firm*—SAIDMAN DesignLaw Group

(21) Appl. No.: **29/245,651**

(22) Filed: **Dec. 27, 2005**

(51) **LOC (8) Cl.** **12-08**

(52) **U.S. Cl.** **D12/92**

(58) **Field of Classification Search** D12/90–92,
D12/86, 88; D21/424, 433; 296/181.1, 181.5
See application file for complete search history.

(57) **CLAIM**

The ornamental design for a motor vehicle and/or toy replica thereof, as shown and described.

(56) **References Cited**

U.S. PATENT DOCUMENTS

- D516,958 S * 3/2006 Sakae et al. D12/92
- D518,415 S * 4/2006 Matsumoto et al. D12/92
- D518,757 S * 4/2006 Matsumoto et al. D12/92
- D519,059 S * 4/2006 Tomida et al. D12/92

DESCRIPTION

FIG. 1 is a front perspective view of a motor vehicle and/or toy replica thereof showing our new design;
FIG. 2 is a rear perspective view thereof;
FIG. 3 is a right-side view thereof;
FIG. 4 is a top view thereof;
FIG. 5 is a front view thereof; and,
FIG. 6 is a rear view thereof.

1 Claim, 2 Drawing Sheets





FIG. 1



FIG. 2

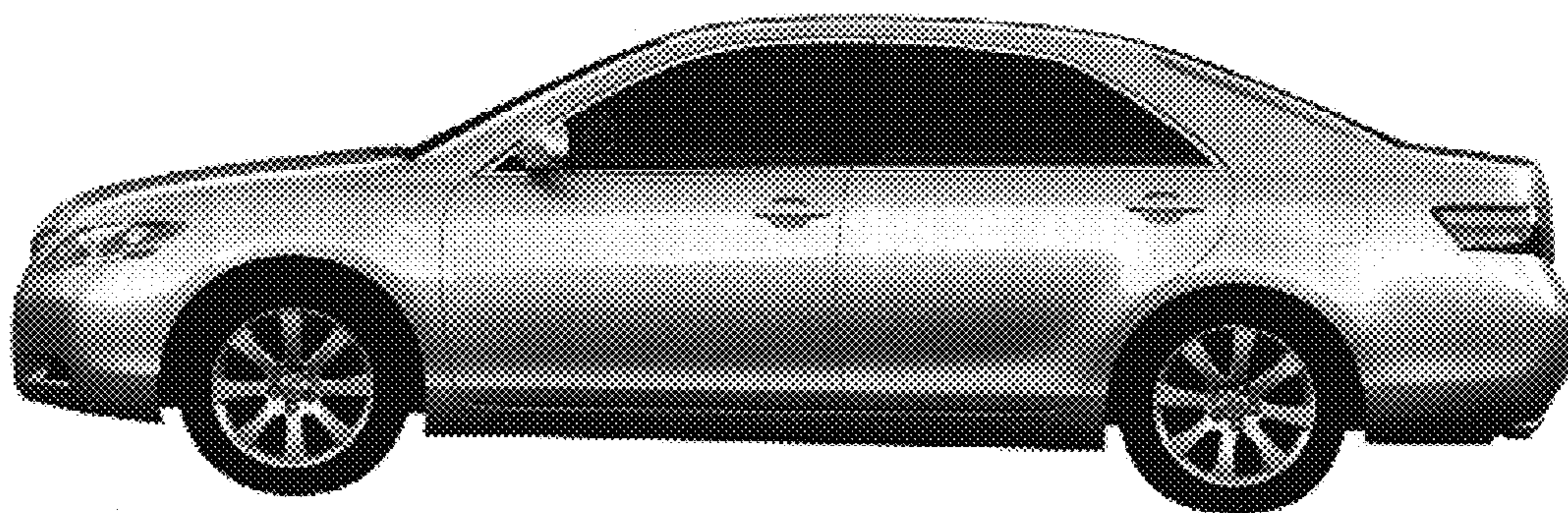


FIG. 3

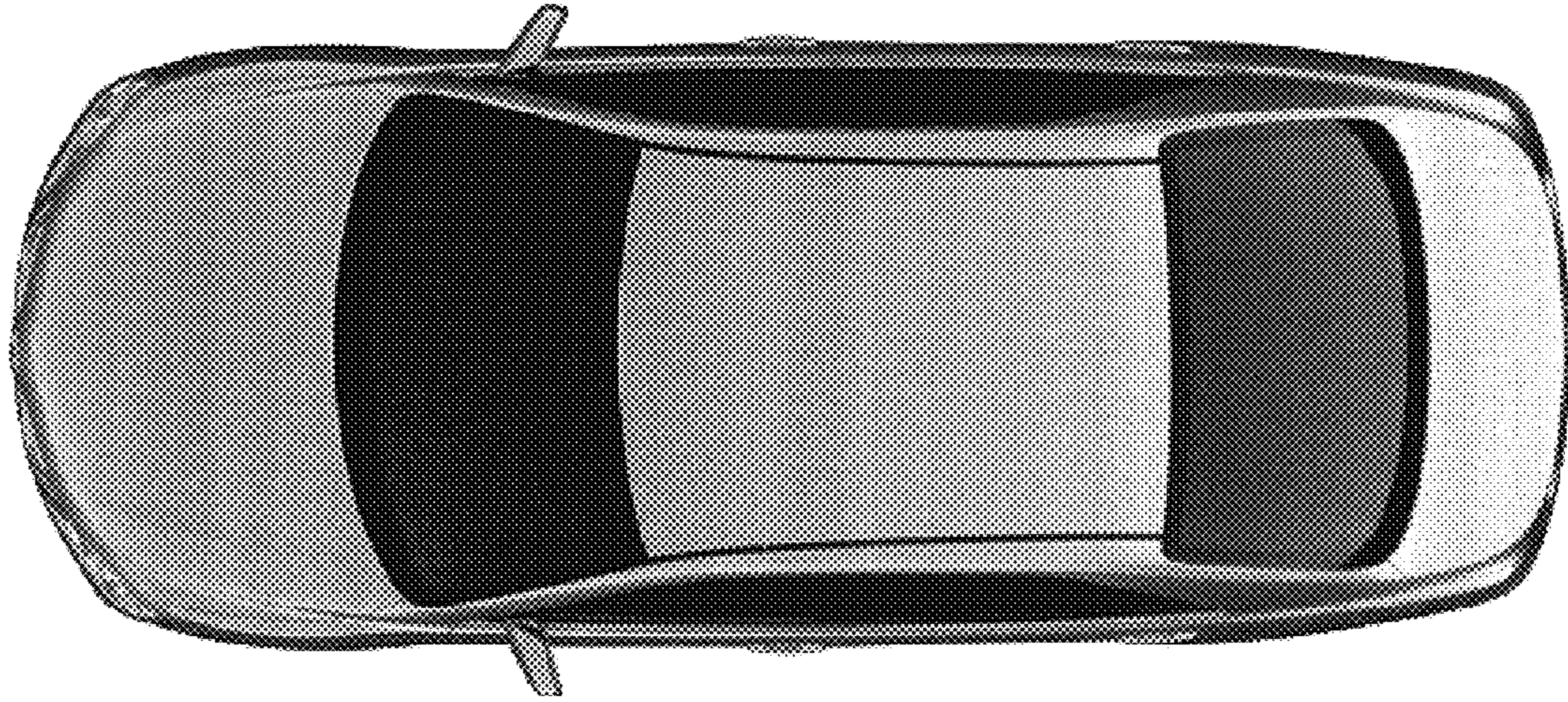


FIG. 4



FIG. 5



FIG. 6