



US00D532714S

(12) **United States Design Patent**
Scharr

(10) **Patent No.:** **US D532,714 S**

(45) **Date of Patent:** **** Nov. 28, 2006**

(54) **COMBINED JEWELRY COMPONENT AND A CAP**

DESCRIPTION

(76) Inventor: **Paul R. Scharr**, 6574 E. Crested Saguaro Lanw, Scottsdale, AZ (US) 85262-7373

(**) Term: **14 Years**

(21) Appl. No.: **29/261,964**

(22) Filed: **Jun. 23, 2006**

(51) **LOC (8) Cl.** **11-01**

(52) **U.S. Cl.** **D11/79**

(58) **Field of Classification Search** D11/1-2, D11/7, 40-44, 46-49, 53, 56-57, 59-61, D11/63, 65, 79-83, 86-87, 89-90, 99, 91-92, D11/101, 106, 114-116, 200-201; 63/1.11, 63/18-20; D3/201, 300, 207-211; 220/4.26, 220/293; 206/204, 37, 811, 364; D9/428, D9/418

See application file for complete search history.

(56) **References Cited**

U.S. PATENT DOCUMENTS

629,586 A * 7/1899 McIntyre 206/1.7
692,173 A * 1/1902 Wilber 40/660
1,253,168 A * 1/1918 Glasner et al. 206/218
1,380,827 A 6/1921 Mullins
1,446,894 A * 2/1923 Foley 222/162

(Continued)

OTHER PUBLICATIONS

U.S. Appl. No. 29/255,393, filed Mar. 8, 2006, Scharr.

Primary Examiner—Ralf Seifert

(57) **CLAIM**

I claim the ornamental design for a combined jewelry component and a cap, as shown and described.

The design of the present invention as shown in FIGS. 1-11 is a combined metal body member and cap member, comprised of an aperture on the cap member and a loop or ring on the body member.

Cross reference to other related Design Patent Applications: Design patent application Ser. No. 29/255,393 filed Mar. 8, 2006; Three other design patent applications filed on this date entitled: A Combined Jewelry Component and a Cap.

FIG. 1 is an exploded perspective front view of the combined jewelry component and cap, with the cap removed; according to the present invention;

FIG. 2 is an exploded perspective back view of the combined jewelry component and cap, with the cap removed; according to the present invention;

FIG. 3 is an exploded perspective front view of the combined jewelry component and cap, with the cap attached; according to the present invention;

FIG. 4 is the right side view of the combined jewelry component and cap, with the cap removed, the reverse side is identical to the right view.

FIG. 5 is the left side view of the combined jewelry component and cap, with the cap removed, the reverse side is identical to the left view;

FIG. 6 is the bottom view of the jewelry component and the bottom view of the cap, with the cap removed from the jewelry component;

FIG. 7 is the top view of the jewelry component, and the top view of the cap, with the cap removed from the jewelry component;

FIG. 8 is the right side view of the combined jewelry component and cap, with the cap attached; the reverse side is identical to the right view;

FIG. 9 is the left side view of the combined jewelry component and cap, with the cap attached; the reverse side is identical to the left view;

FIG. 10 is the bottom view of the combined jewelry component and cap, with the cap attached; and,

FIG. 11 is the top view of the combined jewelry component and cap, with the cap attached.

1 Claim, 3 Drawing Sheets



US D532,714 S

Page 2

U.S. PATENT DOCUMENTS

| | | | | | | |
|-----------|----|---|---------|---------------------------|-------|----------|
| 1,573,663 | A | * | 2/1926 | Warren | | 40/660 |
| 1,714,877 | A | * | 5/1929 | Kaufman et al. | | 206/90 |
| D80,074 | S | * | 12/1929 | Craft | | D11/81 |
| 1,856,619 | A | * | 5/1932 | Carsey | | 40/660 |
| 2,231,230 | A | * | 2/1941 | Sturz | | 40/634 |
| 2,296,848 | A | * | 9/1942 | Gueffroy | | 220/600 |
| 2,701,659 | A | * | 2/1955 | Baltosser | | 220/804 |
| 3,168,768 | A | | 2/1965 | Bohlinger | | |
| 3,567,085 | A | * | 3/1971 | Flores | | 224/604 |
| 4,023,712 | A | * | 5/1977 | Babiak et al. | | 222/175 |
| 4,129,228 | A | * | 12/1978 | Stoneback | | 220/293 |
| D255,218 | S | * | 6/1980 | Krag | | D3/203.2 |
| 4,333,562 | A | * | 6/1982 | Todd | | 206/37 |
| 4,393,974 | A | * | 7/1983 | Levesque | | 206/37 |
| 4,420,076 | A | * | 12/1983 | Beveridge et al. | | 206/37 |
| D278,520 | S | * | 4/1985 | Hamtak | | D11/2 |
| D278,609 | S | * | 4/1985 | Satterelli | | D11/2 |
| 4,526,752 | A | * | 7/1985 | Perlman et al. | | 422/56 |
| D282,055 | S | * | 1/1986 | Brinkers | | D11/80 |
| 4,765,459 | A | * | 8/1988 | Edwards | | 206/38.1 |
| D347,297 | S | * | 5/1994 | Vesco | | D28/77 |
| 5,318,177 | A | * | 6/1994 | Isacson | | 206/38.1 |
| D361,507 | S | * | 8/1995 | Langemann | | D3/201 |
| D391,757 | S | * | 3/1998 | Johnson | | D3/203.2 |
| D391,844 | S | | 3/1998 | Ropponen | | |
| D392,179 | S | | 3/1998 | Ropponen | | |
| D395,840 | S | * | 7/1998 | Cato | | D11/79 |
| 5,950,827 | A | * | 9/1999 | Odom et al. | | 206/364 |
| D415,676 | S | | 10/1999 | Negishi | | |
| D416,475 | S | | 11/1999 | DePrisco | | |
| D419,431 | S | | 1/2000 | Hollis | | |
| D422,202 | S | | 4/2000 | Maki | | |
| D433,225 | S | * | 11/2000 | Deiss et al. | | D3/203.2 |
| D446,388 | S | * | 8/2001 | Rivera | | D3/208 |
| D466,809 | S | * | 12/2002 | Sagel | | D9/428 |
| D469,007 | S | | 1/2003 | Chen | | |
| 6,571,942 | B1 | * | 6/2003 | Riemenschneider et al. | | 206/204 |
| D477,224 | S | | 7/2003 | Hussain | | |
| D480,951 | S | | 10/2003 | Robinson | | |
| 6,725,591 | B1 | * | 4/2004 | McLaughlin, Jr. | | 40/660 |
| D493,097 | S | | 7/2004 | Shinjo | | |
| D501,396 | S | | 2/2005 | Frattarola | | |
| D506,922 | S | | 7/2005 | Simon | | |
| D516,454 | S | * | 3/2006 | Gimpel | | D11/79 |

* cited by examiner

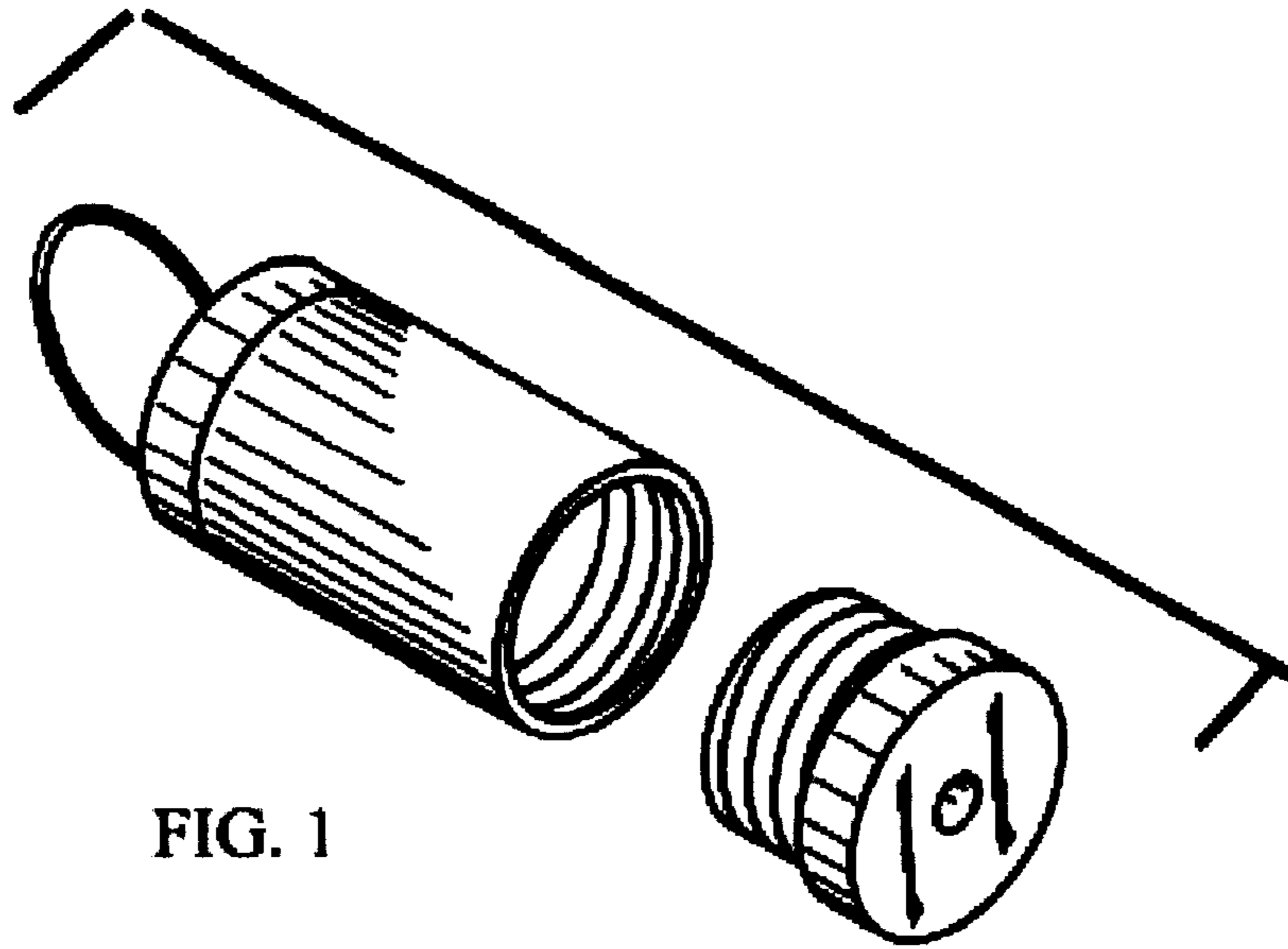


FIG. 1

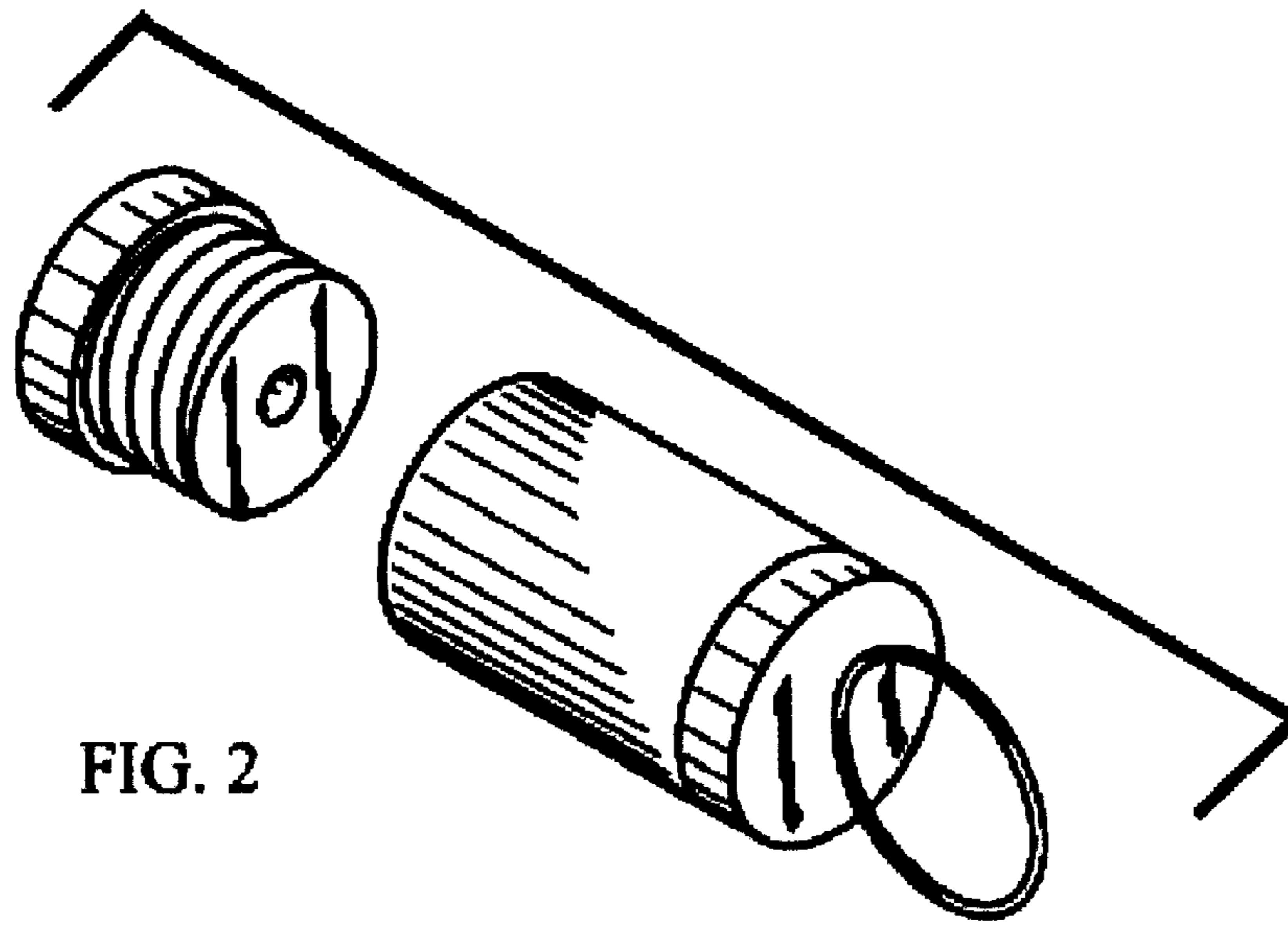


FIG. 2

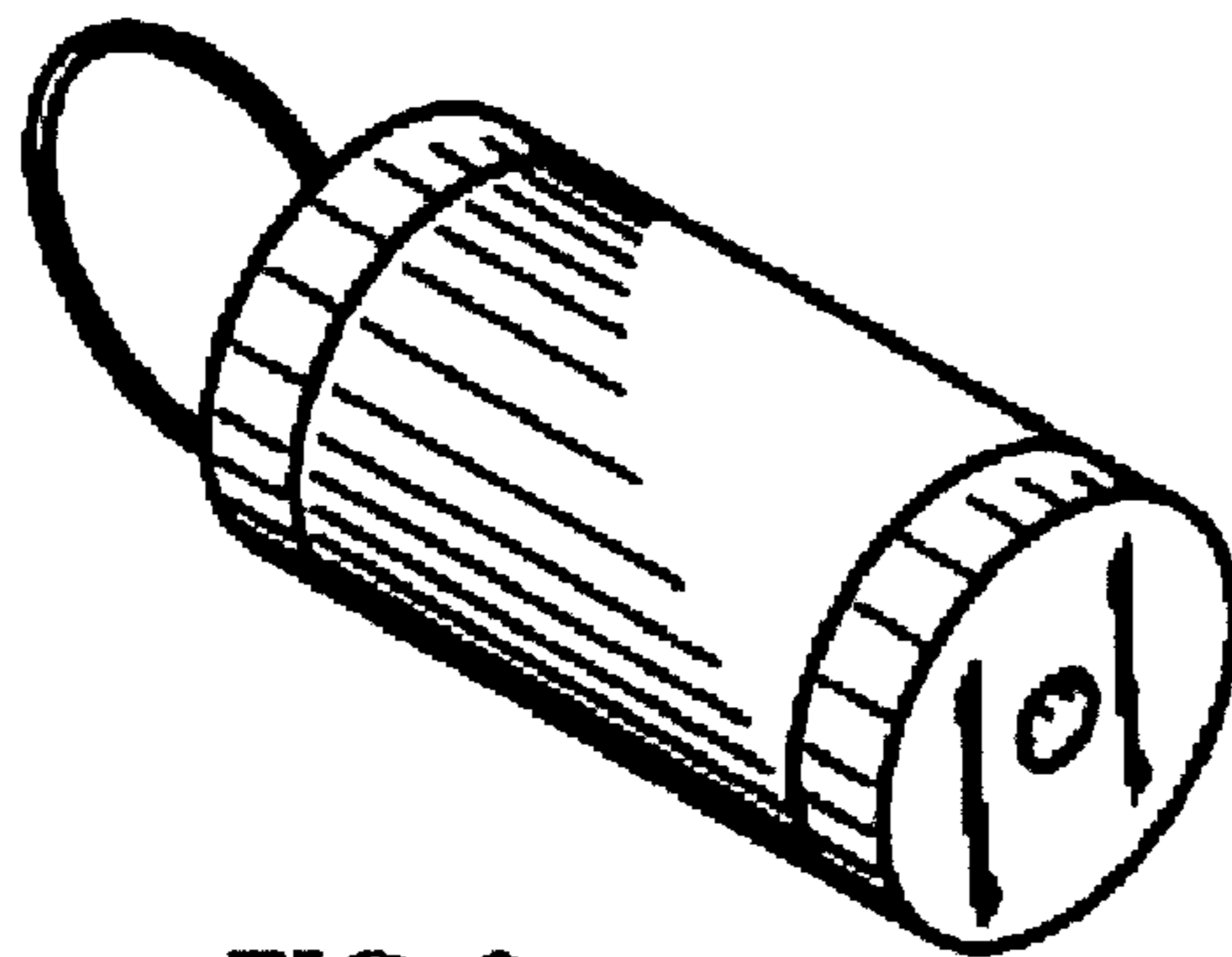
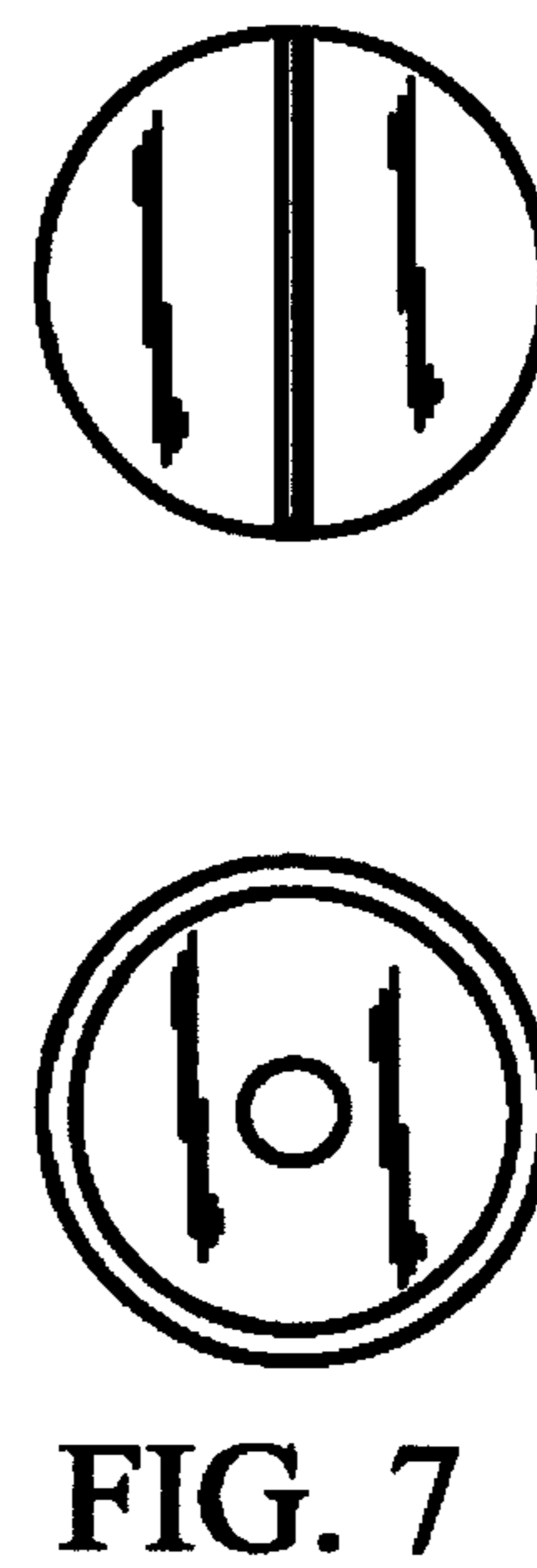
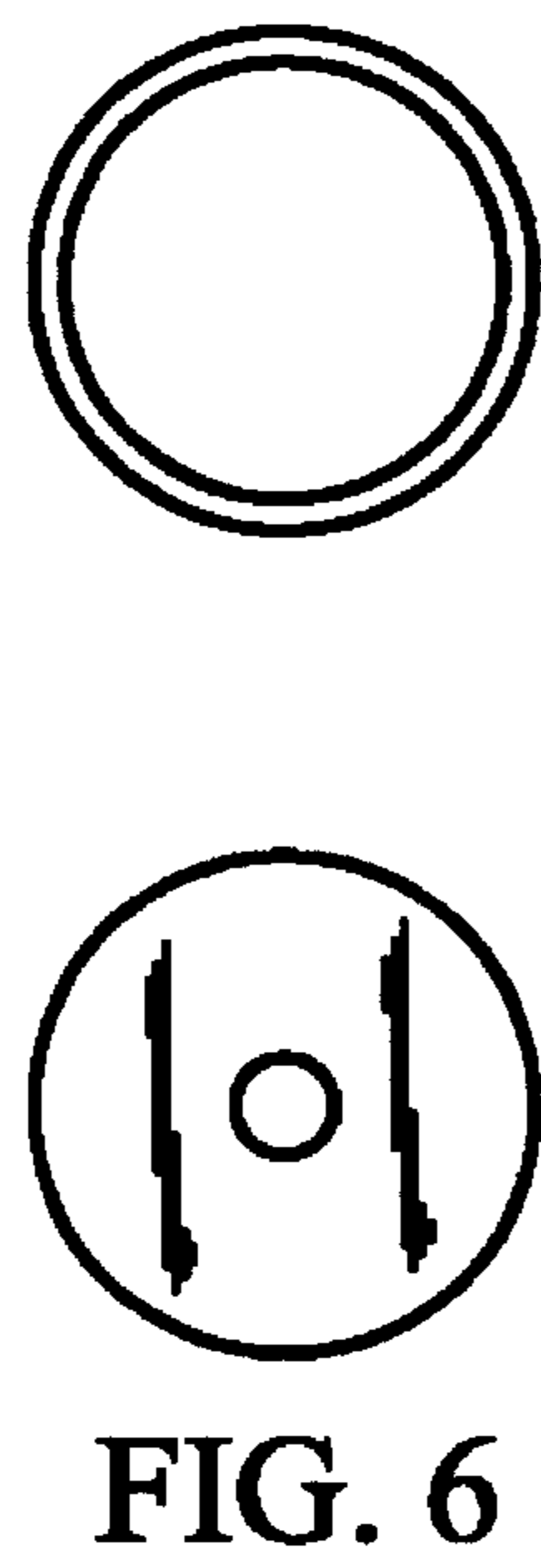
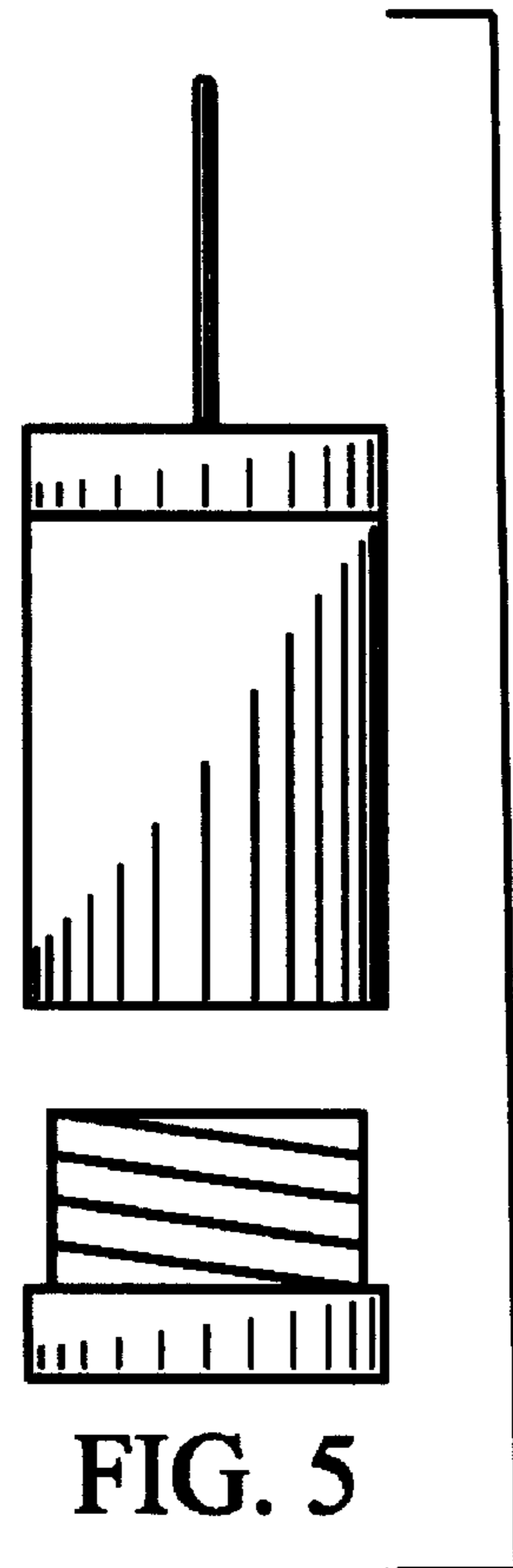
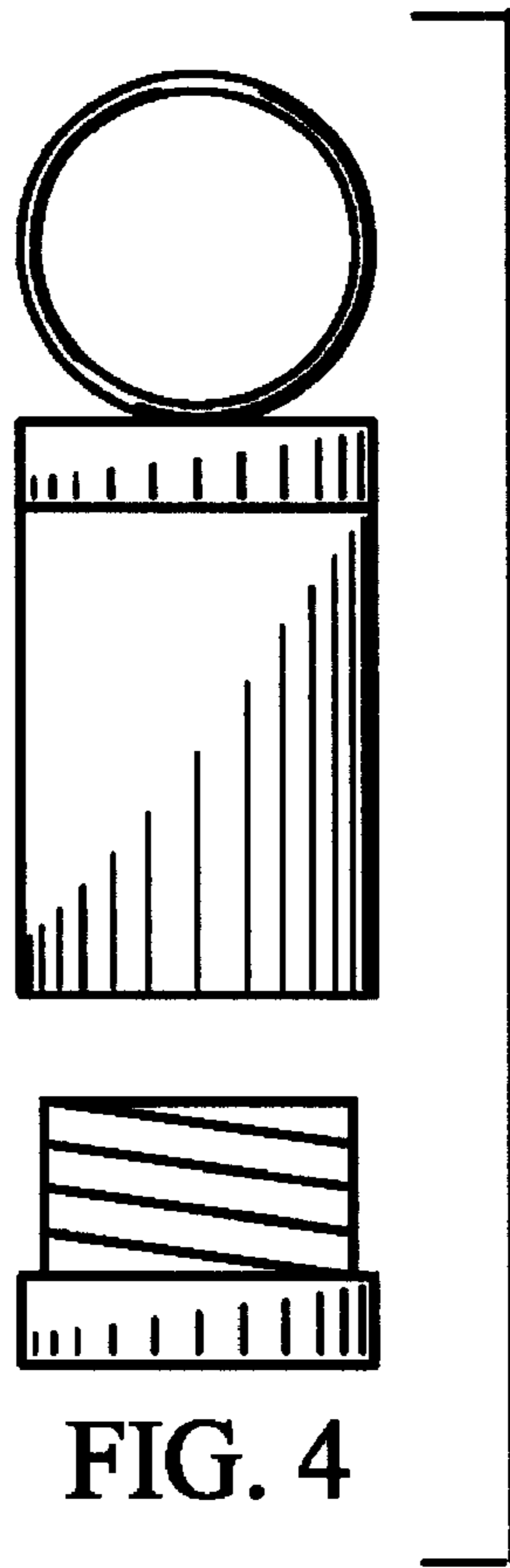


FIG. 3



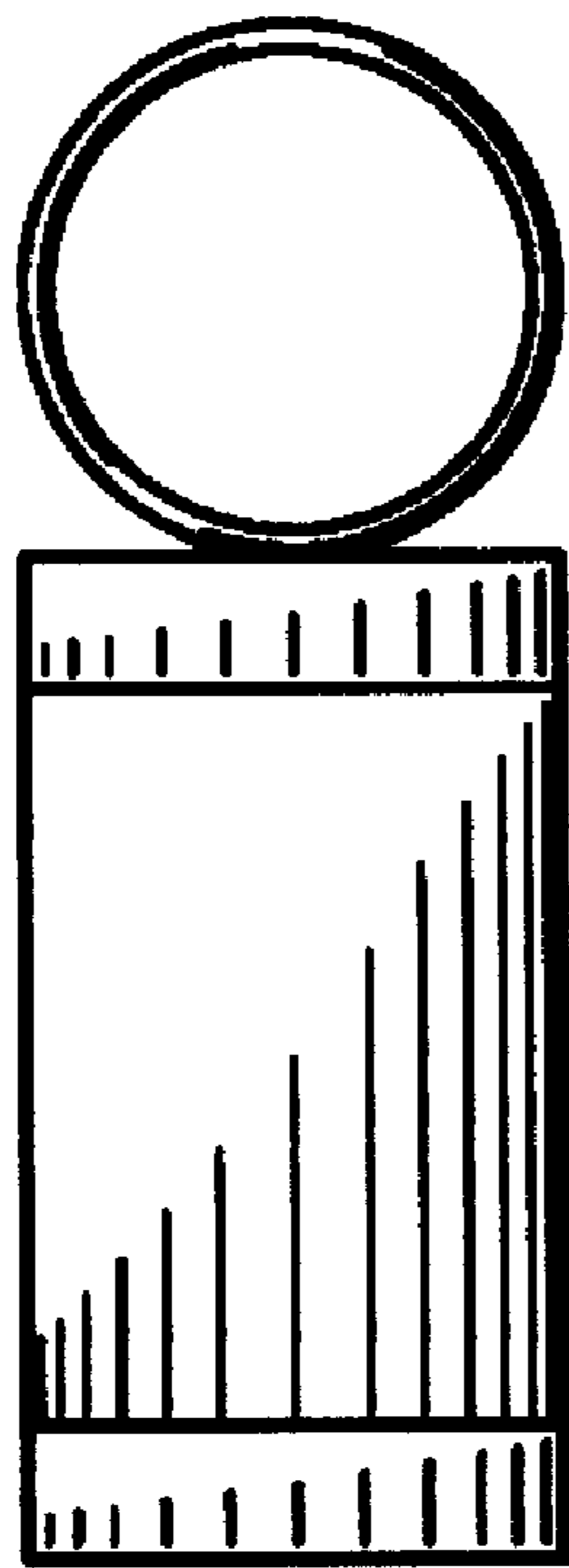


FIG. 8

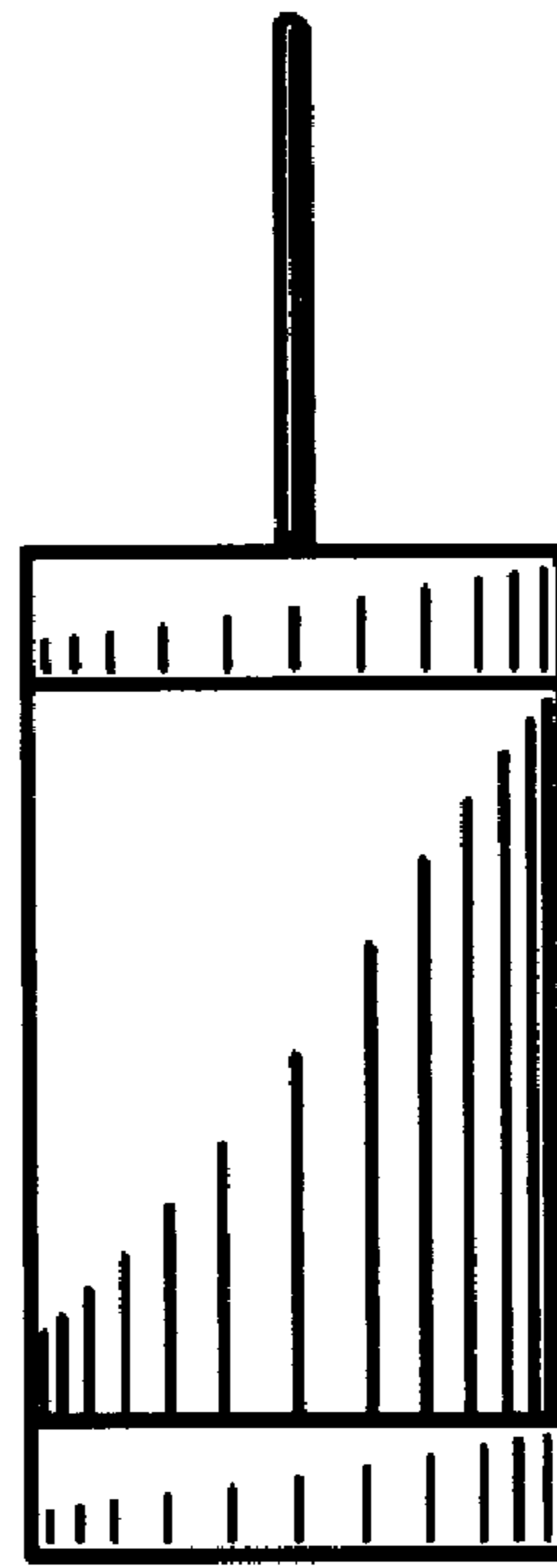


FIG. 9

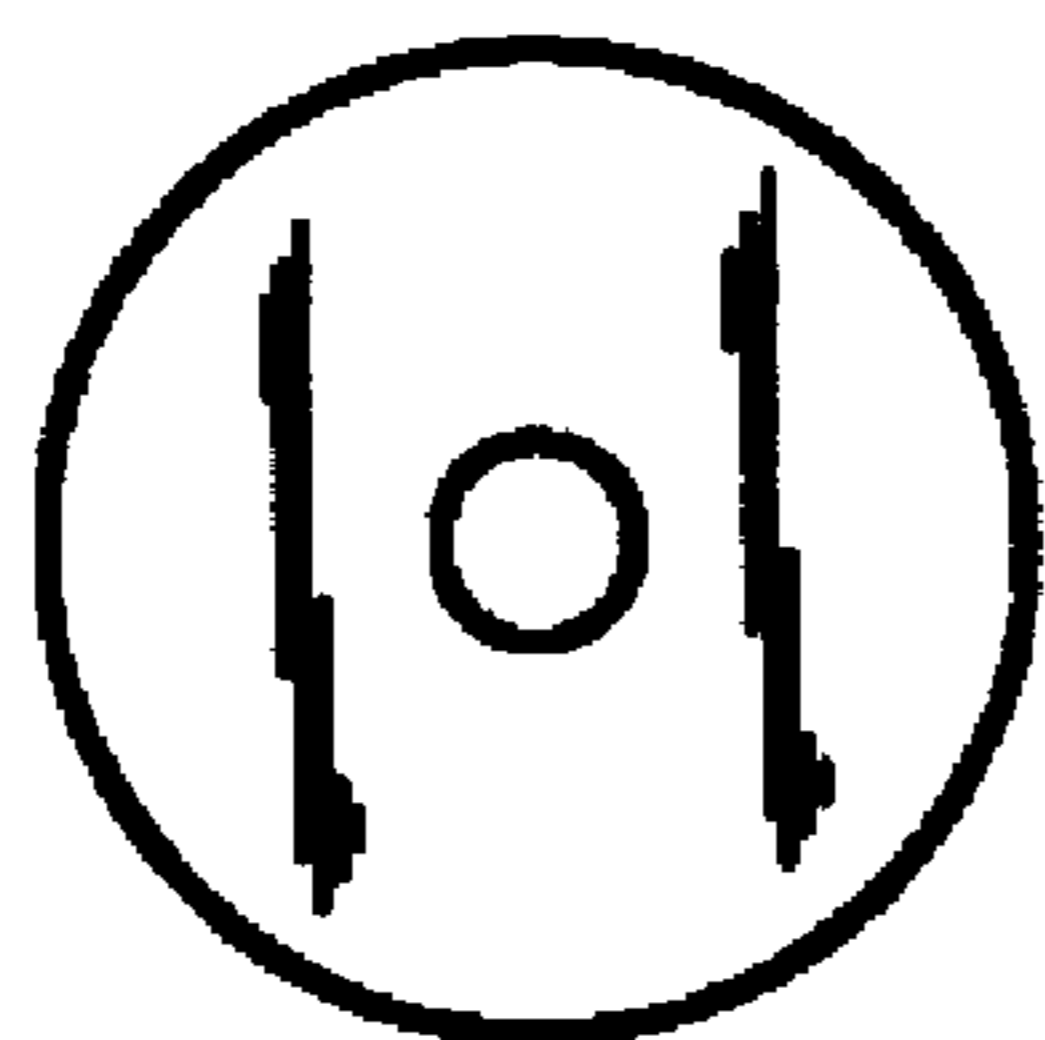


FIG. 10

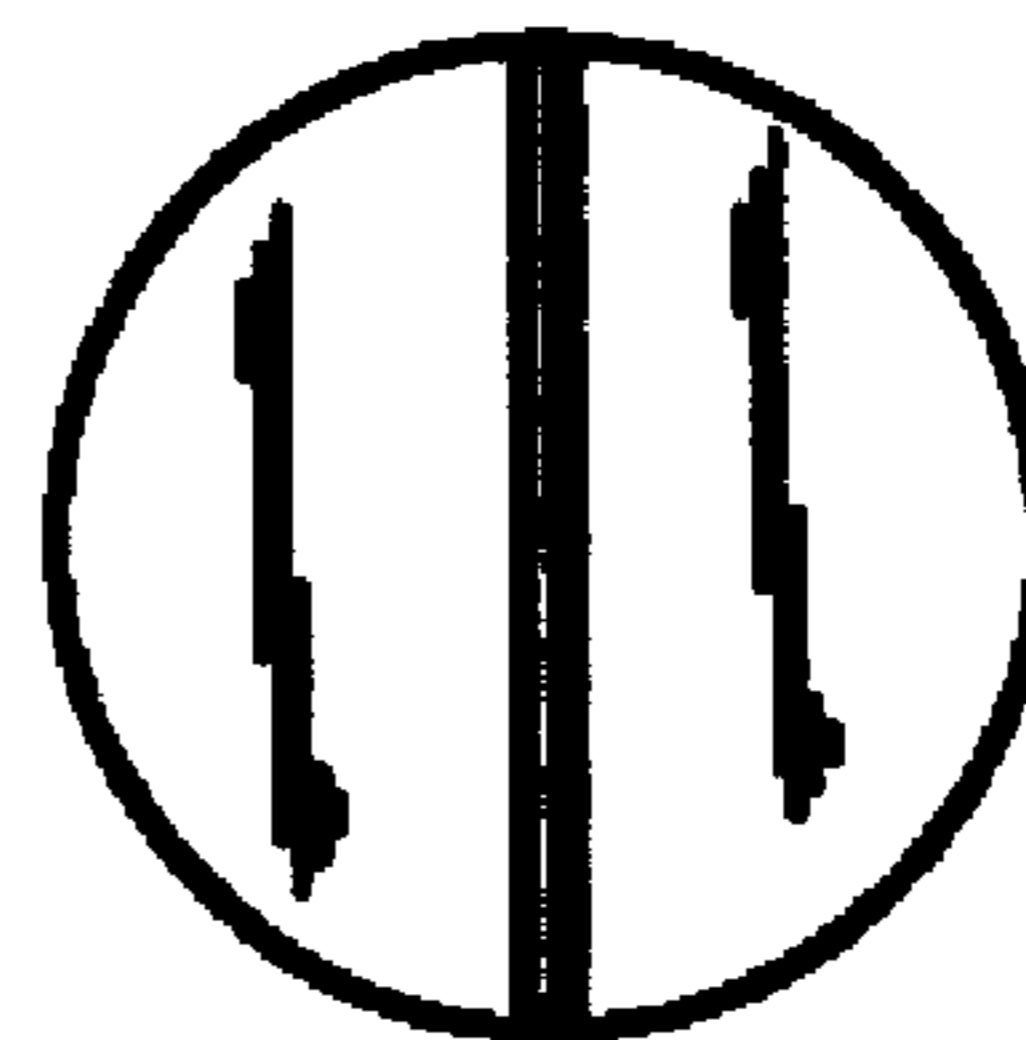


FIG. 11